

# Tilty Vario

## SPARE PARTS LIST



[SORG Rollstuhltechnik](#)

Revision: 20.08.2018 11:32:19



Dear customer,  
in the following pages you will find a complete spare part list with all parts used to build our wheelchairs.

To ensure a accurate delivery of spare parts it is vital to provide the following information fro the identification label in addition to the Article-Number (Art.-No.).

**1. Serial number of the chair**

The serial number enables us to identify the configuration of delivery of the specific chair in.

**2. Seat width, seat depth and back height**

The measures on the identification label are specified for the delivery configuration. If you changed any of these measures after delivery e.g. by growing the chair, please specify the actual new measures.

**3. Lower leg length**

We need the LLL to decide for the right version of several attachments which are connected to the LLL.

**4. Frame colour**

Please indicate the frame colour of the chair when ordering a powder coated spare part. Please note also if the finish alternative is shiny or matt.

**5. Any other change after delivery (e.g. attachments)**

We cannot know about changes after delivery. If you are not sure if such a change has any influence on the needed spare parts, please give us some details about it.

**List of abbreviations**

Pcs.	piece number
item no	item number to order specific spare part
Q/1	quantity per wheelchair/assembly group
SW	seat width
SD	seat depth
BH	back height
alt.	alternative
l/r	left/right

**Handling annotations**

Only items with item number are to order.  
right / left are in relation to driving direction.

If you need further assistance, please contact us:

**SORG Rollstuhltechnik GmbH & Co.KG**

Benzstraße 3-5  
68794 Oberhausen-Rheinhausen  
Fon +49 7254 - 9279 0  
Fax +49 7254 - 9279 10

[info@sorgrollstuhltechnik.de](mailto:info@sorgrollstuhltechnik.de)  
<https://www.sorgrollstuhltechnik.de>

Opening times:  
Monday - Friday                    8.00 am - 4.30 pm

Technical alterations and misprints excluded.  
Prices on demand.

## Contents

### Frame

Frame	1
Anti-tipper	3
Tipping aid	4
Crutch holder	5

---

### Leg support

Leg support version 1, undivided	7
Leg support version 2, undivided	9
Leg support version 3, undivided, hinged backward	11
Leg support version 4, divided	13
Calf rest for elevating leg support	14
Leg support, dynamic	15
Heel cup	16

---

### Seat

Seat, complete	17
Joint shackle	18
Gas pressure spring incl. Holder	20
Seat cushion	21
Therapy table, version 1, hinged sideways	22
Therapy table, version 2, fixed to the arm pad	23
Therapy table, version 6, mounted under seat plate	24
Abduction wedge	25

---

### Back

Back, adjustable in angle	26
Back adjustable with gas pressure spring	28
Curved back plate	29
Back elongation	31
Cushion for curved back plate	32
Back cover standard	33
Back cover adjustable	34
Stabilizer bar	35
Push handle, extendable	36
Push bar for extendable push handle	37
Push bow, extendable	39
Truss pads	40
Head rest	42

---

### Side part

Activity side guards (only for 7° wheel camber)	43
Standard side guards	44
XXL side guards (only for 3° wheel camber)	45
Arm rest 24cm, adjustable in angle	46
Wheel cover (only for 3° wheel camber)	47

---

## Contents

### Caster wheel

Caster wheel adapter Aluminium	48
Adapter for low seat heights	50
Caster wheel fork	51
Caster wheel fork with quick-release axle	52
Caster wheels	53
Quick-release axle fitting	55

---

### Rear wheel

Axle plate for Rear wheels	54
Rear wheels	56
Double handrim standard	57
Double handrim drum brake	58
Telescopic rod	59
Tyres	60
Handrims	61
Handrim covers	62
Spoke covers	63

---

### Brake

Knee lever brake Standard	64
Knee lever brake, lockable	65
Knee lever brake for attendant	66
One-hand brake operating side	68
One-hand brake non-operating side	70
Bowden cable brake pressure piece	71
Bowden cable brake control/non-control sides	73
Brake lever for drum brake	74
Brake lever extensions	75

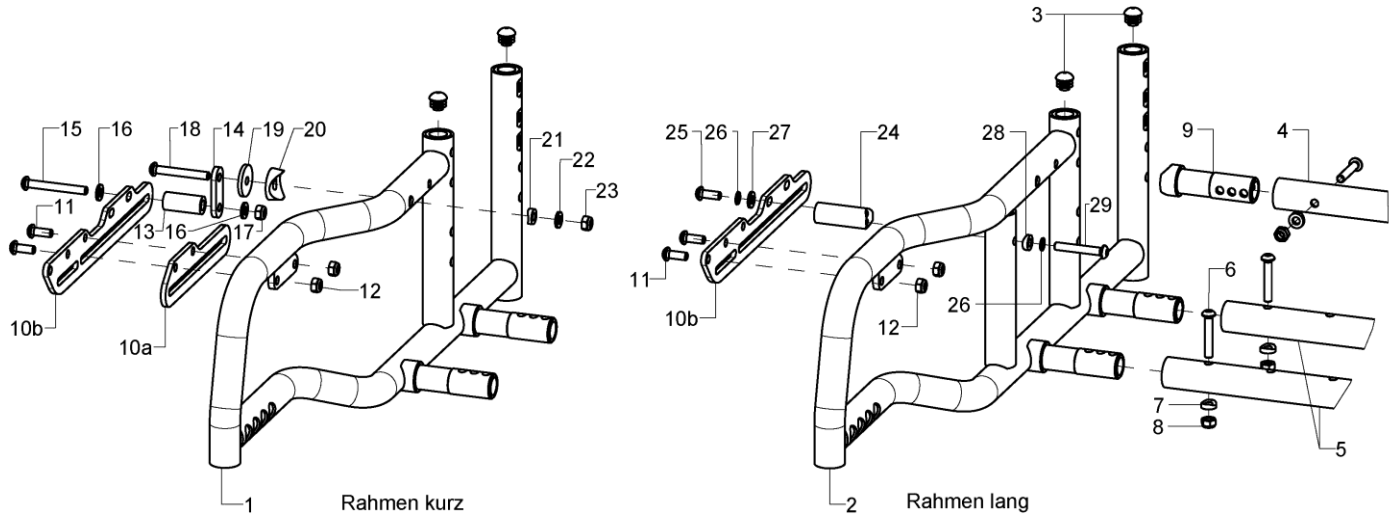
---

### Options

Hip belt with Velcro and synthetic lock	76
Hip belt with metal lock	77
Butterfly harness	78

---

Frame

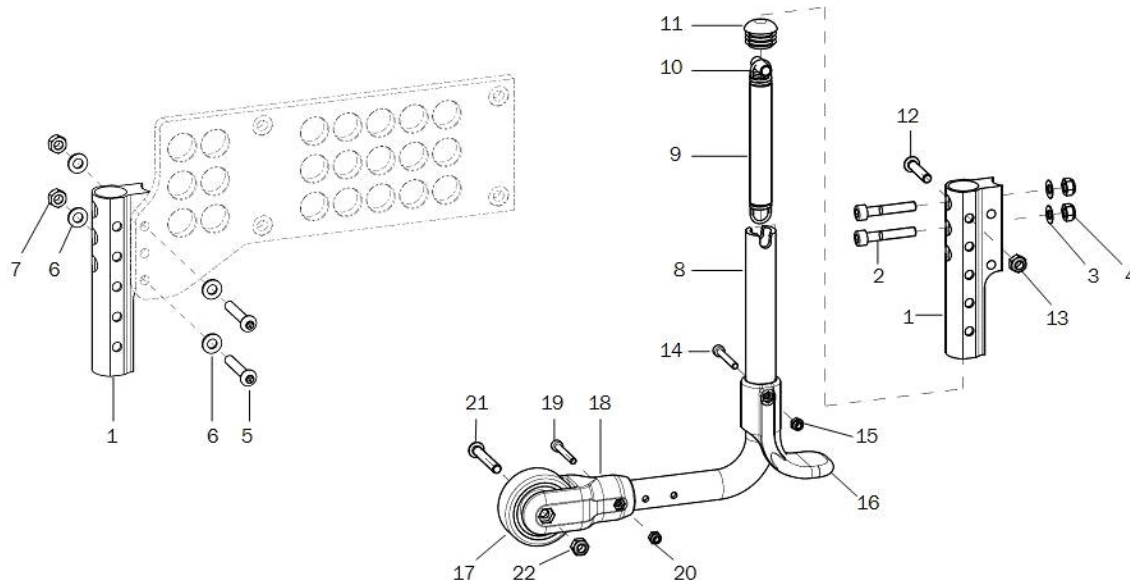


pcs.	Q/1	item no.	Product name:	Variant:	drawing no.
1+3	1	59711002	frame part short 535 mm, right, Tilty Vario for SD 30-34 incl. plugs		59.71.01.00.02.71
o.B.	1	59711001	frame part short 535 mm, left, Tilty Vario for SD 30-34 incl. plugs		59.71.01.00.01.71
2-3	1	59711004	frame part long 590 mm, right, Tilty Vario for SD 36-44 incl. plugs		59.71.02.00.02.71
o.B.	1	59711003	frame part long 590 mm, left, Tilty Vario for SD 36-44 incl. plugs		59.71.02.00.01.71
3	4	59711010	plugs for rod $\varnothing 14 \times 1-2$ , black, 4 piece set		04.63.10.14.00.10
4	1	5834SB	crossbar D=24x2xSW		58.34.01.00.00.69
5	2	587101SB	frame crossbar enforced for gas pressure spring intake		58.71.01.01.00.71
6-8	1	583499	mounting set crossbar on frame		XXXXXXXXXXXX
6	6		lens head screw with hexagon socket ISO 7380 - M6x35		01.42.08.59.65.00
7	6		saddle washer $\varnothing 12/6 \times 2,5$		35.04.16.01.00.10
8	6		hexagon nut self-locking low form DIN 985 - M6		02.32.00.60.01.20
9	2	583501	crossbar adapter		58.35.01.01.00.71
10a-12	1	59752502	braking rail long incl. mounting set		59.75.25.02.00.00
10b-12	1	59710209	braking rail incl. mounting screws		59.71.02.09.00.71
11	2		lens head screw with hexagon socket ISO 7380 - M6x16		01.42.08.52.65.00
12	2		hexagon nut self-locking low form DIN 985 - M6		02.32.00.60.01.20
13-23	1	59710210	mounting set for short frame with wheel base extension		59.71.02.10.99.71
24-29	1	59710211	mounting set for long frame with wheel base extension		59.71.02.11.99.71
13	1		spacer for braking rail		59.71.02.11.00.71
14	1		lug braking rail standard side guard		59.71.02.10.00.71
15	1		lens head screw with hexagon socket ISO 7380 - M6x50		01.42.08.62.65.00
16	2		washer DIN 125 - A 6,4		02.61.06.41.41.20
17	1		hexagon nut self-locking low form DIN 985 - M6		02.32.00.60.01.20
18	1		lens head screw with hexagon socket ISO 7380 - M6x45		01.42.08.61.65.00
19	1		washer D 25/d=6,2x3		28.00.21.01.00.10
20	1		saddle washer black $\varnothing 24/6$		04.63.39.24.06.30
21	1		saddle washer $\varnothing 12/6 \times 2,5$		35.04.16.01.00.10
22	1		washer DIN 125 - A 6,4		02.61.06.41.41.20
23	1		hexagon nut self-locking low form DIN 985 - M6		02.32.00.60.01.20
24	1		spacer bushing M6		59.71.02.12.00.71
25	1		lens head screw with hexagon socket ISO 7380 - M6x16		01.42.08.52.65.00



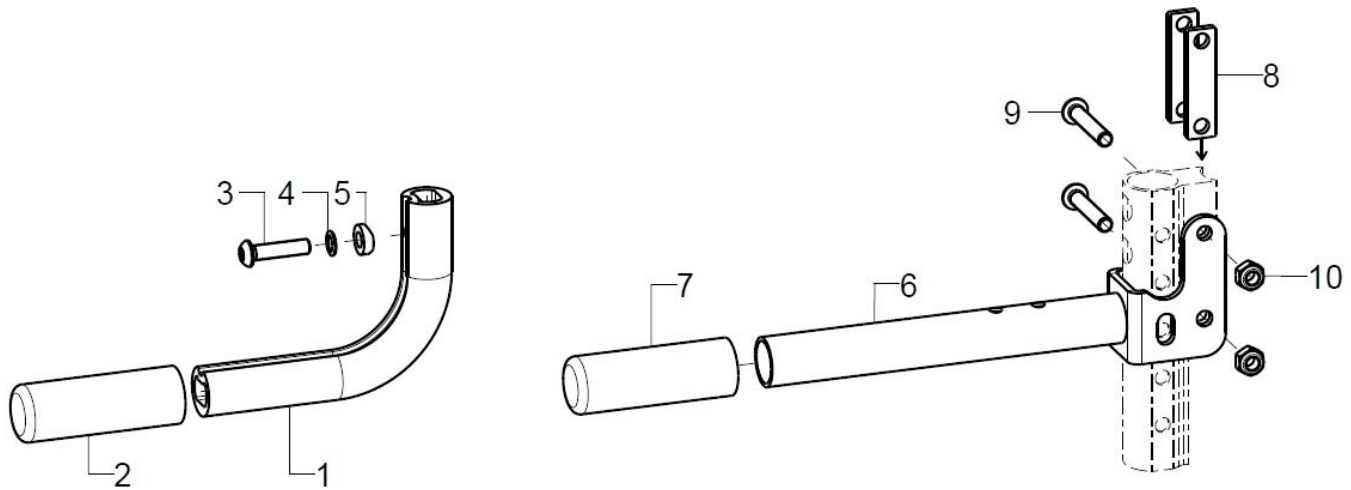
26	2	lock washer S6	02.99.10.60.01.10
27	1	washer DIN 125 - A 6,4	02.61.06.41.41.20
28	1	saddle washer $\varnothing 12/6 \times 2,5$	35.04.16.01.00.10
29	1	lens head screw with hexagon socket ISO 7380 - M6x40	01.42.08.60.65.00

Anti-tipper



pcs.	Q/1	item no.	Product name:	Variant:	drawing no.
1-4+8-22	1	721501/02	anti-tipper complete		XXXXXXXXXXXX
1+5-22	1	721505/06	anti-tipper for wheel base extension complete		XXXXXXXXXXXX
1	1	72150106	anti-tipper holder		72.15.01.06.00.74
2-4	1	7215010699	mounting set anti-tipper holder		XXXXXXXXXXXX
2	2		cylinder screw DIN 912 M6x35		01.22.08.59.62.40
3	2		fitted washer DIN 988 - 6x12x0,5 - A2		02.68.06.00.50.30
4	2		hexagon nut self-locking low form DIN 985 - M6		02.32.00.60.01.20
5-7	1	7215020699	mounting set anti-tipper holder wheel base extension		
5	2		lens head screw with hexagon socket ISO 7380 - M6x35		01.42.08.59.65.00
6	4		washer DIN 125 - A 6,4		02.61.06.41.41.20
7	2		hexagon nut self-locking low form DIN 985 - M6		02.32.00.60.01.20
8-22	1	721500XX	anti-tipper pre-assembled		72.15.XX.99.XX.74
8	1		anti-tipper bail		72.15.01.XX.00.74
9	1		tension spring, loop 180°, 1/1 centred, 13,5x2x113		04.22.01.41.13.00
10	1		spacer bushing 18,4 mm		45.03.10.00.00.73
11	1		plugs for tube ø22x1-2, black		04.63.10.22.00.10
12	1		lens head screw with hexagon socket ISO 7380 - M6x30		01.42.08.58.65.00
13	1		hexagon nut self-locking low form DIN 985 - M6		02.32.00.60.01.20
14	1		cylinder screw DIN 912 M4x30		01.22.07.38.62.40
15	1		hexagon nut self-locking low form DIN 985 - M4		02.32.00.40.01.20
16	1	72150104	tipping lever black		72.15.01.04.00.74
17	1	720004	wheel ø50, width 18, nob width 20, axle ø 6, PU grey		04.52.42.50.00.30
18-22	1	72150101	holder anti-tipper for wheel ø50 mm, incl. mounting set		72.15.01.01.00.74
19	1		cylinder screw DIN 912 M4x30		01.22.07.38.62.40
20	1		hexagon nut self-locking low form DIN 985 - M4		02.32.00.40.01.20
21	1		lens head screw with hexagon socket ISO 7380 - M6x40		01.42.08.60.65.00
22	1		hexagon nut self-locking low form DIN 985 - M6		02.32.00.60.01.20

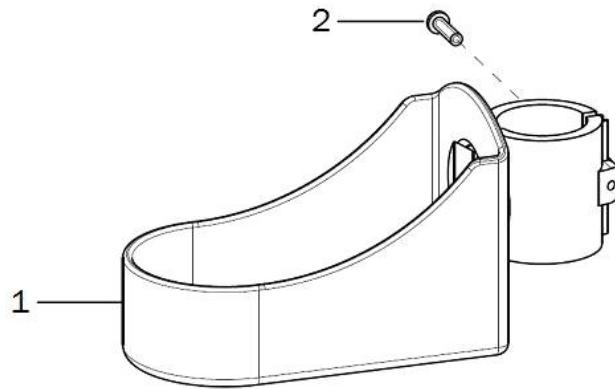
Tipping aid



pcs.	Q/1	item no.	Product name:	Variant:	drawing no.
1-5	1	7401	tipping lever complete		
1	1				74.01.01.01.00.10
2	1	740102	covered cap		74.01.02.01.00.10
3-5	1	74000099	mounting set for tipping lever		
3	1		lens head screw with hexagon socket ISO 7380 - M6x25		01.42.08.56.65.00
4	1		lock washer S6		02.99.10.60.01.10
5	1		saddle washer $\varnothing 12/6 \times 2,5$		35.04.16.01.00.10
6-10	1	7404			74.04.02.00.00.74
7	1	740102	covered cap		74.01.02.01.00.10
8	2				74.04.02.03.00.74
9	2		lens head screw with hexagon socket ISO 7380 - M6x35		01.42.08.59.65.00
10	2		hexagon nut self-locking low form DIN 985 - M6		02.32.00.60.01.20

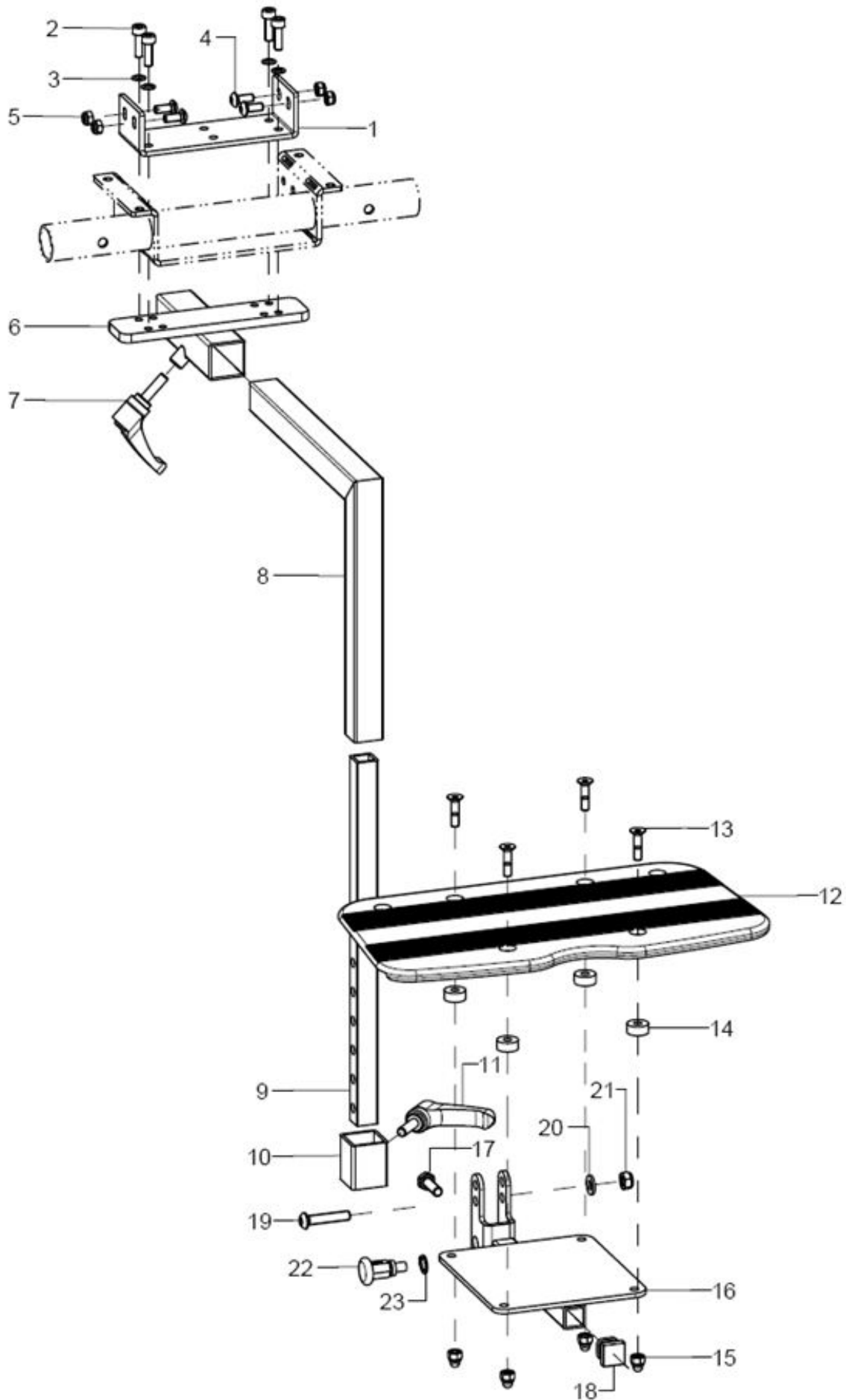


Crutch holder



pcs.	Q/1	item no.	Product name:	Variant:	drawing no.
1-2	1	7101	crutch holder with mounting screw		71.01.01.00.00.10
2	1				

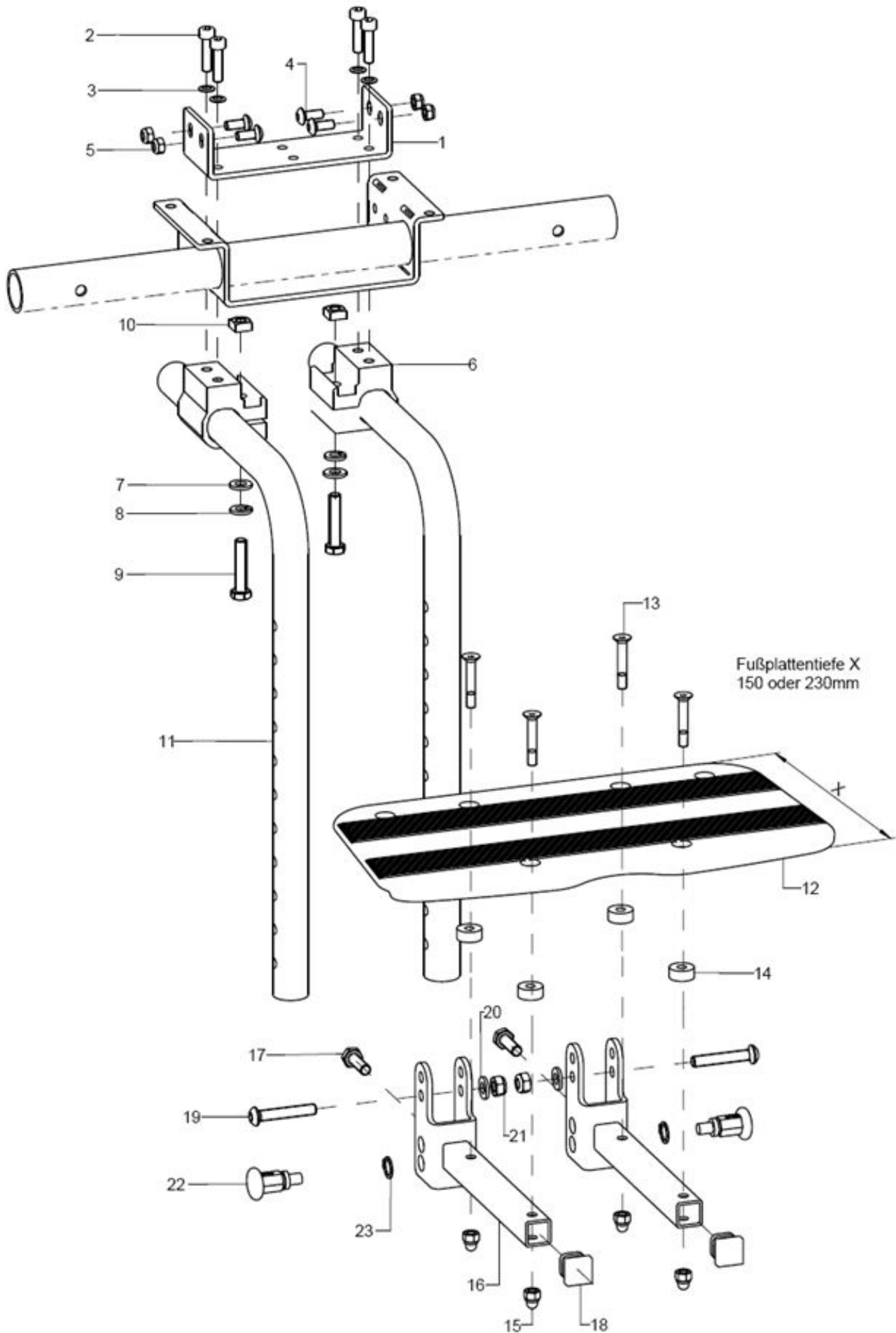
Leg support version 1, undivided





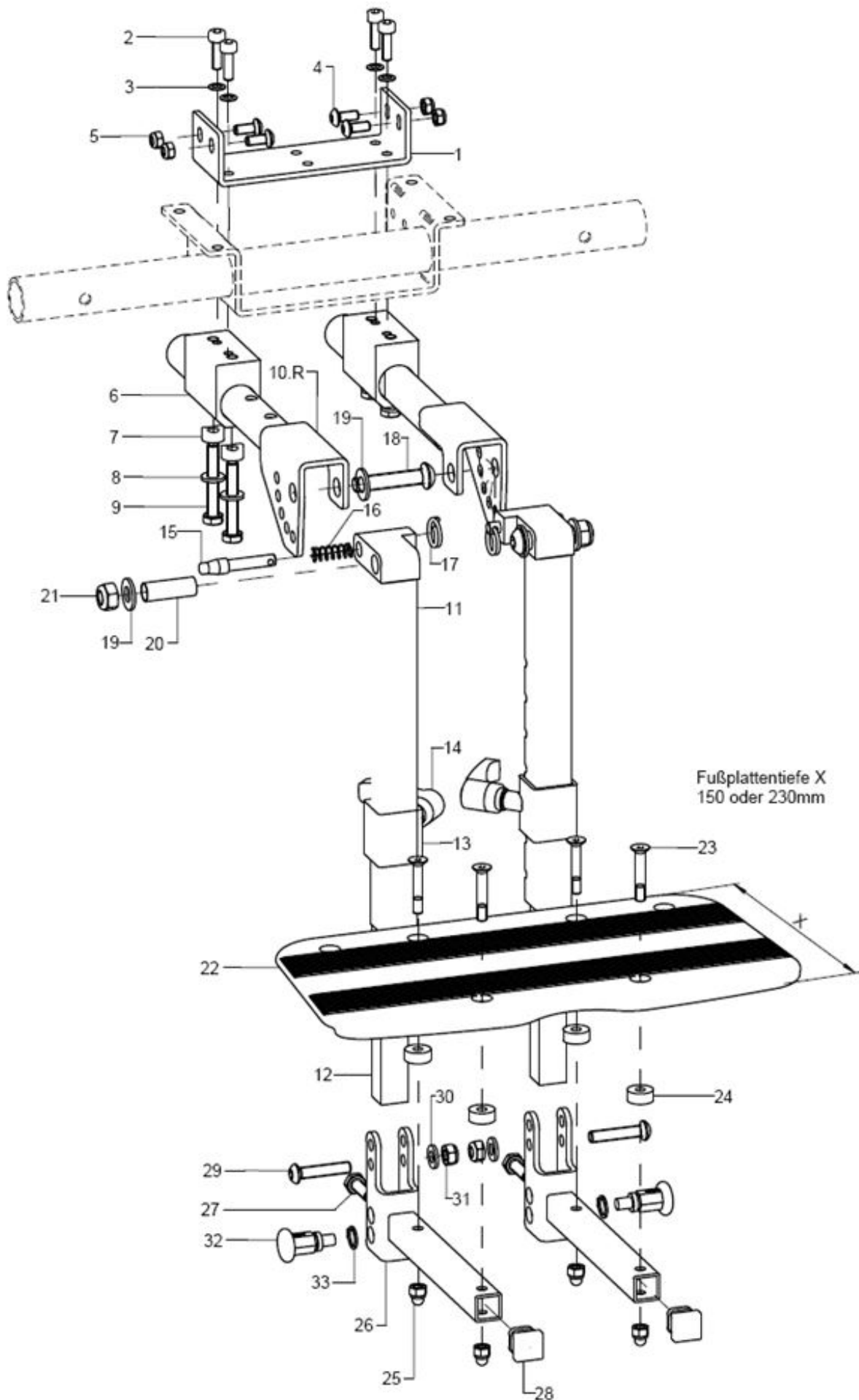
pcs.	Q/1	item no.	Product name:	Variant:	drawing no.
1-21	1	4015	leg support continuous, to flip up backward, with central knee angle		
1-5	1	19060206	reinforcement holder seat traverse, black incl. mounting set		19.06.02.06.00.71
2	4		cylinder head screw DIN 912 M5x16		01.22.07.92.72.40
3	4		lock washer S5		02.99.10.50.01.10
4	4		lens head screw with hexagon socket ISO 7380 - M5x12		01.42.07.89.65.00
5	4		hexagon nut self-locking low form DIN 985 - M5		02.32.00.50.01.20
6-7	1	401101	holder for central attachment 20x20 black incl. clamp lever		40.11.01.01.00.24
7	1	403110	clamp lever adjustable M6x20, black		04.13.10.60.20.50
8	1	401103	tube angle black central leg support		40.11.02.01.00.24
9	1	401304	rod black for leg support 15x15x250		40.31.04.01.00.20
altern.	1	401307	rod black for leg support 15x15x400		40.11.03.02.00.24
10-11	1	401104	tube clamp 25x25x105x30 for length compensation incl. clamp lever		40.11.04.01.00.24
11	1	403110	clamp lever adjustable M6x20, black		04.13.10.60.20.50
12	1	40551100	foot rest 150 mm continuous incl mounting set		40.55.11.00.00.76
13 - 15	1	401599	mounting set for foot plate on foot plate holder		XXXXXXXXXXXX
13	4		counter sunk screw with hexagon socket DIN 7991 M5x20		01.65.07.94.05.00
14	4		bushing Ø14/5,2x6		40.55.00.01.00.76
15	4		hexagon nut self-locking low form DIN 985 - M5		02.32.00.50.01.20
16-21	1	401502	foot plate holder incl. mounting set		40.15.02.02.00.71
17	1		hexagon screw DIN 933 - M6x20		01.04.08.54.02.40
18	1	401107	end plug 15x15 black, 4 piece set		04.63.11.15.00.10
19	1		lens head screw with hexagon socket ISO 7380 - M6x30		01.42.08.58.65.00
20	1		washer DIN 125 - A 6,4		02.61.06.41.41.20
21	1		hexagon nut self-locking low form DIN 985 - M6		02.32.00.60.01.20
22-23	1	690101	latch Ø6/M10x1x31 with lock		04.14.43.60.02.00
23	1		lock ring 10, DIN 471		03.01.01.00.93.00

Leg support version 2, undivided



<b>pcs.</b>	<b>Q/1</b>	<b>item no.</b>	<b>Product name:</b>	<b>Variant:</b>	<b>drawing no.</b>
1-21	1	4008	leg support continuous, two knee angles stiff 90° complete		
1-5	1	19060206	reinforcement holder seat traverse, black incl. mounting set		19.06.02.06.00.71
2	4		cylinder head screw DIN 912 M5x16		01.22.07.92.72.40
3	4		lock washer S5		02.99.10.50.01.10
4	4		lens head screw with hexagon socket ISO 7380 - M5x12		01.42.07.89.65.00
5	4		hexagon nut self-locking low form DIN 985 - M5		02.32.00.50.01.20
6-10	2	400101	leg support socket for knee angle incl. mounting set		40.01.01.01.00.28
7	2		washer DIN 125 - A 6,4		02.61.06.41.41.20
8	2		spring ring DIN 127- A6		02.85.30.60.05.10
9	2		hexagon screw DIN 933 - M6x30		01.04.08.58.02.40
10	2		square nut DIN 557 M6		02.13.00.60.01.20
11	2	400102	knee angle leg support holder 90° 310mm		40.01.02.01.00.24
altern.	2	400111	knee angle leg support holder 90° 410 mm		40.01.02.01.00.28
12-15	1	40551100	foot rest 150 mm continuous incl mounting set		40.55.11.00.00.76
o.B.	1	40551200	foot rest 230 mm continuous incl. mounting set		40.55.12.00.00.76
13-15	1	40551199	mounting set foot rest		
13	4		counter sunk screw with hexagon socket DIN 7991 M5x30		01.65.07.98.05.00
14	4		bushing Ø14/5,2x6		40.55.00.01.00.76
15	4		hexagon nut self-locking low form DIN 985 - M5		02.32.00.50.01.20
16-21	2	400103	foot plate joint holder 100720 for continuous foot plate incl. mounting set		40.01.03.02.00.28
17	2		hexagon screw DIN 933 - M6x20		01.04.08.54.02.40
18	4		plugs for square tubes, black 15x15		04.63.11.15.00.10
19	2				01.42.08.59.62.60
20	2		washer DIN 125 - A 6,4		02.61.06.41.41.20
21	2		hexagon nut self-locking low form DIN 985 - M6		02.32.00.60.01.20
22-23	2	690101	latch ø6/M10x1x31 with lock		04.14.43.60.02.00
23	2		lock ring 10, DIN 471		03.01.01.00.93.00

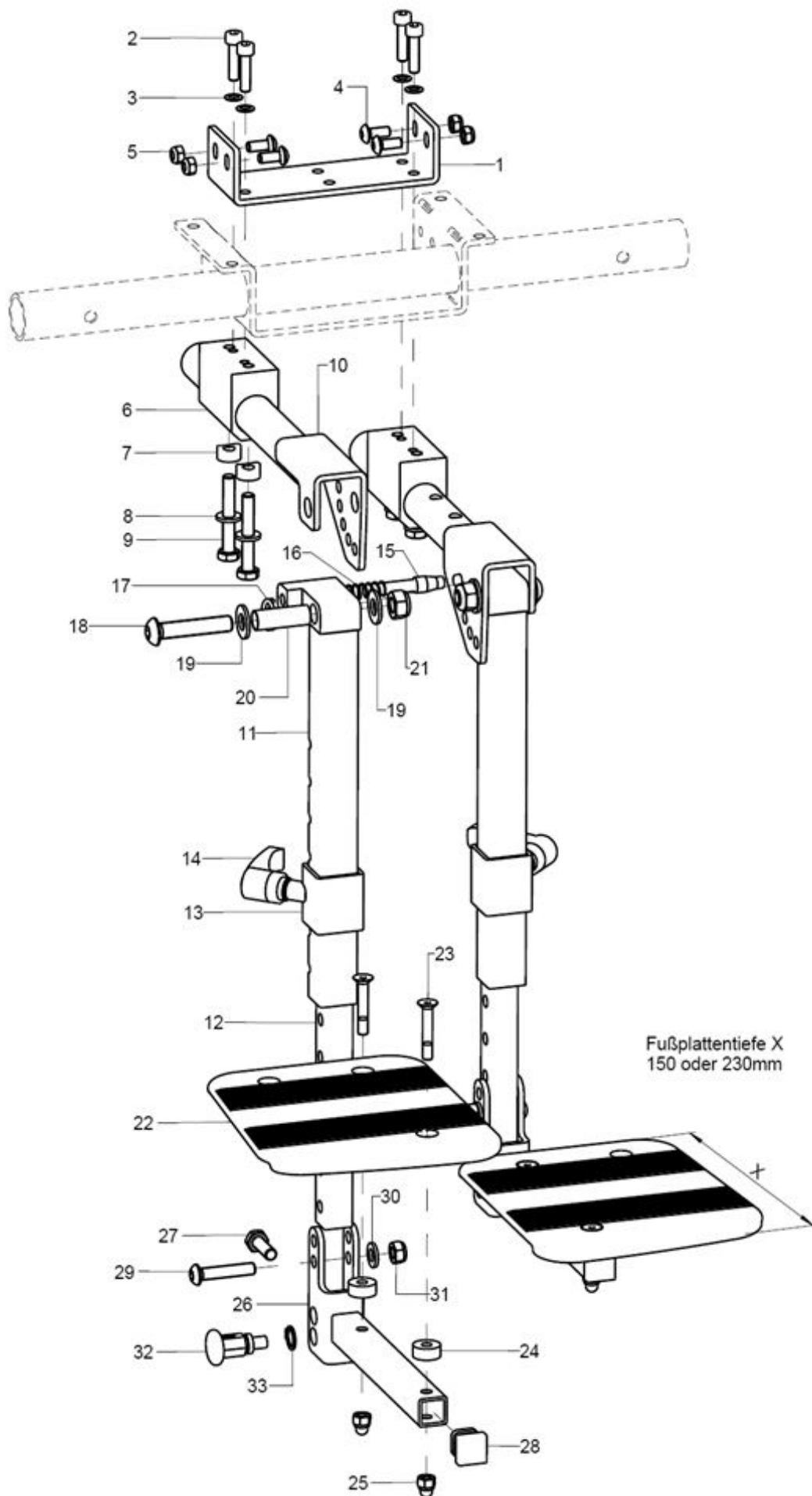
Leg support version 3, undivided, hinged backward





pcs.	Q/1	item no.	Product name:	Variant:	drawing no.
1-31	1	4013	leg support continuous, to flip up sideways in rasters, two hinges, complete		
1-5	1	19060206	reinforcement holder seat traverse, black incl. mounting set		19.06.02.06.00.71
2	4		cylinder head screw DIN 912 M5x16		01.22.07.92.72.40
3	4		lock washer S5		02.99.10.50.01.10
4	4		lens head screw with hexagon socket ISO 7380 - M5x12		01.42.07.89.65.00
5	4		hexagon nut self-locking low form DIN 985 - M5		02.32.00.50.01.20
6-9	2	401301	leg support socket for knee angle, adjustable in steps incl. mounting set		40.13.01.01.00.24
7	4		saddle washer Ø12x3x7		40.13.01.03.00.24
8	4		washer DIN 125 - A 6,4		02.61.06.41.41.20
9	4		hexagon screw DIN 933 - M6x35		01.04.08.59.02.40
10	1	400203	raster socket for adjustable leg support		40.02.03.03.00.28
11+15-21	1	403112	adjustment, raster bolts and wire for the adjustable leg support incl. mounting set		40.31.02.01.00.10
12	1	401304	rod black for leg support 15x15x250		40.31.04.01.00.20
altern.	1	401307	rod black for leg support 15x15x400		40.11.03.02.00.24
13-14	2	401104	tube clamp 25x25x105x30 for length compensation incl. clamp lever		40.11.04.01.00.24
14	2	403110	clamp lever adjustable M6x20, black		04.13.10.60.20.50
15-17	2	610109	locking bolt incl. mounting set (spring and ring)		61.01.02.04.00.24
16	2		pressure spring DIN 2098 0,7x7,65/9,05x21		04.21.00.80.21.00
17	2		wire form ring 2x16		04.29.04.42.20.00
18	2		lens head screw with hexagon socket ISO 7380 - M8x40		01.42.09.80.65.00
19	4		washer DIN 125 - A 8,4		02.61.08.41.41.20
20	2		bushing Ø10/8x28		40.02.02.05.00.28
21	2		hexagon nut self-locking low form DIN 985 - M8		02.32.00.80.01.20
22-25	1	40551100	foot rest 150 mm continuous incl mounting set		40.55.11.00.00.76
o.B.	1	40551200	foot rest 230 mm continuous incl. mounting set		40.55.12.00.00.76
23-25	1	40551199	mounting set foot rest		
23	4		counter sunk screw with hexagon socket DIN 7991 M5x30		01.65.07.98.05.00
24	4				
25	4		hexagon nut self-locking low form DIN 985 - M5		02.32.00.50.01.20
26-29	2	401305	foot plate joint holder 100/15 for continuous foot plate incl. mounting set		40.13.02.01.00.24
27	2		hexagon screw DIN 933 - M6x20		01.04.08.54.02.40
28	4		plugs for square tubes, black 15x15		04.63.11.15.00.10
29	2		lens head screw with hexagon socket ISO 7380 - M6x30		01.42.08.58.65.00
30	2		washer DIN 125 - A 6,4		02.61.06.41.41.20
31	2		hexagon nut self-locking low form DIN 985 - M6		02.32.00.60.01.20
32-33	2	690101	latch ø6/M10x1x31 with lock		04.14.43.60.02.00
33	2		lock ring 10, DIN 471		03.01.01.00.93.00

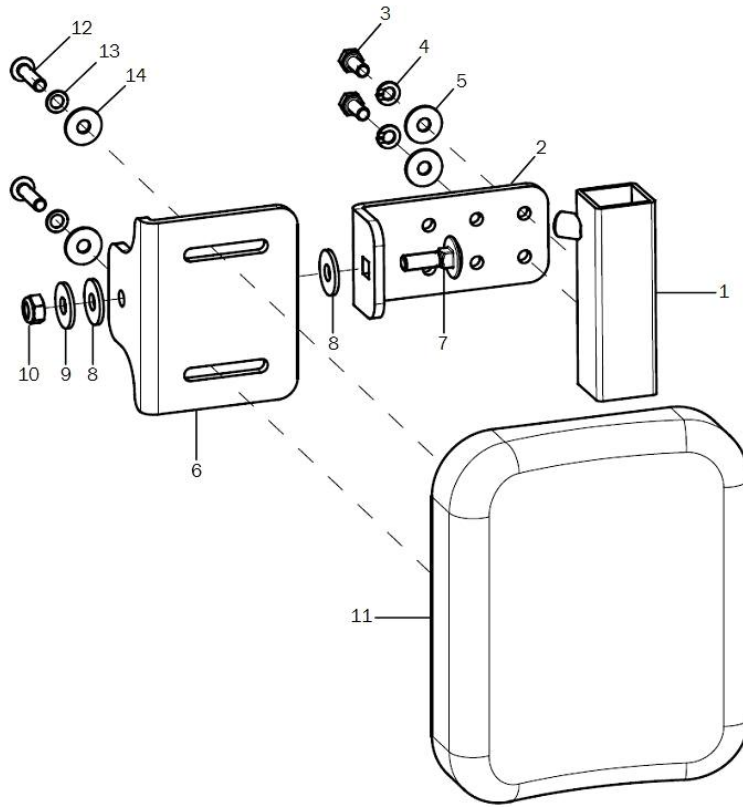
Leg support version 4, divided





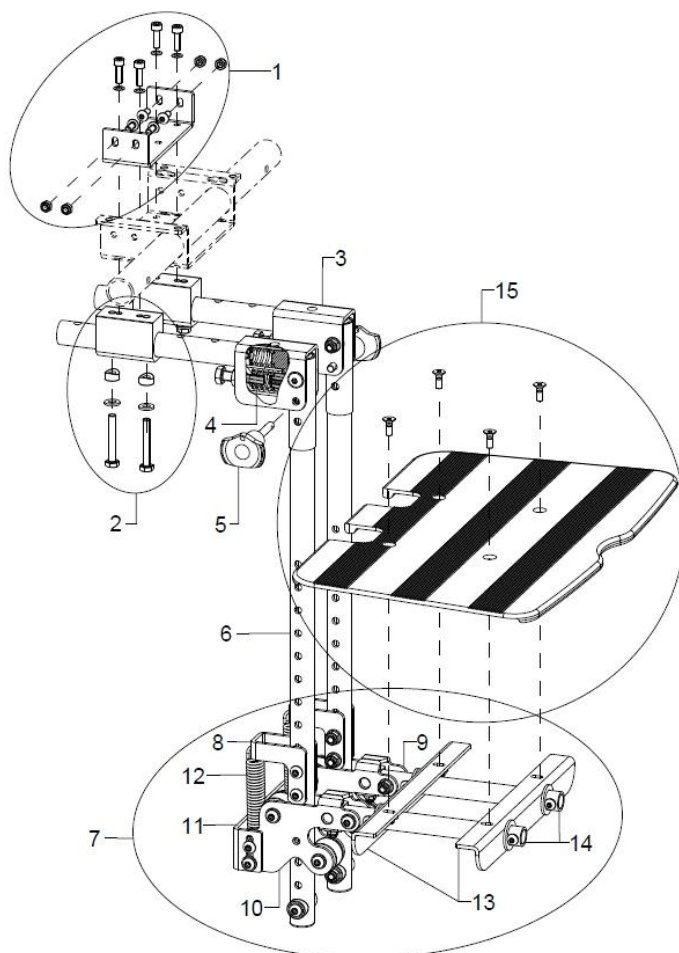
<b>pcs.</b>	<b>Q/1</b>	<b>item no.</b>	<b>Product name:</b>	<b>Variant:</b>	<b>drawing no.</b>
1-31	1	4014	leg support divided, to flip up in rasters, complete		
1-5	1	19060206	reinforcement holder seat traverse, black incl. mounting set		19.06.02.06.00.71
2	4		cylinder head screw DIN 912 M5x16		01.22.07.92.72.40
3	4		lock washer S5		02.99.10.50.01.10
4	4		lens head screw with hexagon socket ISO 7380 - M5x12		01.42.07.89.65.00
5	4		hexagon nut self-locking low form DIN 985 - M5		02.32.00.50.01.20
6-9	1	401301	leg support socket for knee angle, adjustable in steps incl. mounting set		40.13.01.01.00.24
7	2		saddle washer Ø12x3x7		40.13.01.03.00.24
8	2		washer DIN 125 - A 6,4		02.61.06.41.41.20
9	2		hexagon screw DIN 933 - M6x35		01.04.08.59.02.40
10	1	400203	raster socket for adjustable leg support		40.02.03.03.00.28
11+15-21	1	403112	adjustment, raster bolts and wire for the adjustable leg support incl. mounting set		40.31.02.01.00.10
12	1	401304	rod black for leg support 15x15x250		40.31.04.01.00.20
altern.	1	401307	rod black for leg support 15x15x400		40.11.03.02.00.24
13-14	1	401104	tube clamp 25x25x105x30 for length compensation incl. clamp lever		40.11.04.01.00.24
14	1	403110	clamp lever adjustable M6x20, black		04.13.10.60.20.50
15-17	1	610109	locking bolt incl. mounting set (spring and ring)		61.01.02.04.00.24
16	1		pressure spring DIN 2098 0,7x7,65/9,05x21		04.21.00.80.21.00
17	1		wire form ring 2x16		04.29.04.42.20.00
18	1		lens head screw with hexagon socket ISO 7380 - M8x40		01.42.09.80.65.00
19	2		washer DIN 125 - A 8,4		02.61.08.41.41.20
20	1		bushing Ø10/8x28		40.02.02.05.00.28
21	1		hexagon nut self-locking low form DIN 985 - M8		02.32.00.80.01.20
22-25	1	40551300	foot rest 150 mm divided, incl. mounting set		40.55.13.00.00.76
o.B.	1	40551400	foot rest 230 mm divided, incl. mounting set		40.55.14.00.00.76
23-25	1	40551199	mounting set foot rest		
23	2		counter sunk screw with hexagon socket DIN 7991 M5x30		01.65.07.98.05.00
24	2				
25	2		hexagon nut self-locking low form DIN 985 - M6		02.32.00.60.01.20
26-30	1	401305	foot plate joint holder 100/15 for continuous foot plate incl. mounting set		40.13.02.01.00.24
27	1		hexagon screw DIN 933 - M6x20		01.04.08.54.02.40
28	2		plugs for square tubes, black 15x15		04.63.11.15.00.10
29	1		lens head screw with hexagon socket ISO 7380 - M6x30		01.42.08.58.65.00
30	1		washer DIN 125 - A 6,4		02.61.06.41.41.20
31	1		hexagon nut self-locking low form DIN 985 - M6		02.32.00.60.01.20
32-33	1	690101	latch Ø6/M10x1x31 with lock		04.14.43.60.02.00
33	1		lock ring 10, DIN 471		03.01.01.00.93.00

Calf rest for elevating leg support



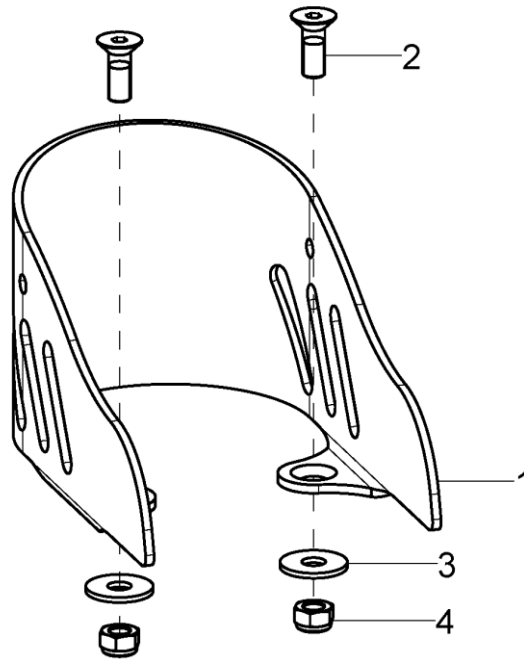
pcs.	Q/1	item no.	Product name:	Variant:	drawing no.
1-14	1	403106	calf rest, padded incl. holder		XXXXXXXXXXXX
1	1	40300601	adapter black for calf pad holder with raster adjustable leg supports		40.30.06.01.00.10
2-5	2	40300603	angle adjustment incl. mounting set		40.30.06.03.00.10
3	2		hexagon screw DIN 933 - M5x12		01.04.07.89.02.40
4	2		spring ring DIN 127 - A 5		02.85.30.50.05.10
5	2		washer DIN 9021 - M5		02.79.05.31.20.20
6-10	2	40300604	angle holder incl. mounting set		40.30.06.04.00.10
7	1		round-head screw DIN 6003 M6x20		01.11.08.54.00.40
8	2		washer DIN 9021- 6,4- PA		02.79.06.41.60.70
9	1		washer DIN 9021 -6,4		02.79.06.41.60.20
10	1		hexagon nut self-locking low form DIN 985 - M6		02.32.00.60.01.20
11-14	2	40300610	calf rest 150x120x30 PU black incl. mounting set		04.65.09.15.13.20
altern.	2	40300611	calf rest 230x170x30 PU black incl. mounting set		04.65.09.22.15.20
12	2		lens head screw with hexagon socket ISO 7380 - M5x20		01.42.07.94.65.00
13	2		lock washer S5		02.99.10.50.01.10
14	2		washer DIN 9021 - M5		02.79.05.31.20.20

Leg support, dynamic



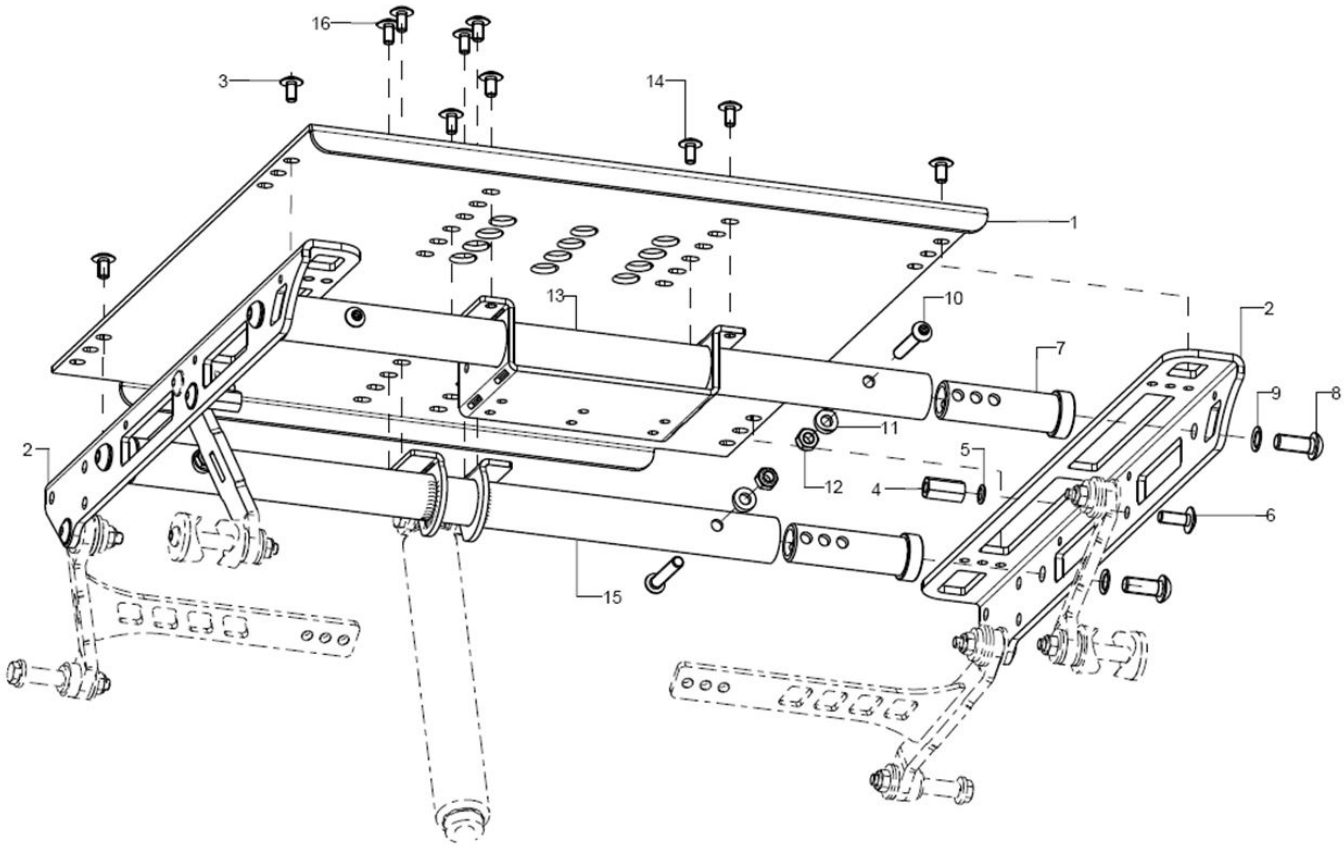
pcs.	Q/1	item no.	Product name:	Variant:	drawing no.
1-15	1	4053	leg support dynamic Genex - sprung on the flexible knee angle		
1	1	19060206	reinforcement holder seat traverse, black incl. mounting set		19.06.02.06.00.71
2	1	401301	leg support socket for knee angle, adjustable in steps incl. mounting set		40.13.01.01.00.24
3-4	2	405303	leg support tube black, with spring intake and springs in the knee angle for Genex leg support		40.53.02.02.00.24
4	4	405312	pressure spring 2,5x12,5x22 in the knee angle for dynamic leg support		04.21.01.50.22.00
5	2	405310	ball lock pin 6x30 with red button		04.14.10.60.33.10
6	2	405302	leg support tube 500mm, with stainless steel bushing for Genex leg support		40.53.02.01.00.24
7	1	405201	holder for foot plate complete for dynamic leg support		
8	2	405205	spring holder top for dynamic leg support		40.52.05.00.00.24
9	1	40520601	intake left, stainless steel for dynamic leg support		40.52.06.00.01.24
10	1	40520602	intake right, stainless steel for dynamic leg support		40.52.06.00.02.24
11	1	40520801	connection black for dynamic leg support incl. mounting set		40.52.08.01.00.24
12	2	405212	tension spring 2,2x15x74,2 for dynamic leg support		04.22.01.50.74.00
13	2	40520902	holder for foot plate dynamic leg support		40.52.09.02.00.24
14	2	405207	foot plate tube, black for dynamic leg support		40.52.07.00.00.24
15	1	405203			40.53.05.00.00.00

Heel cup



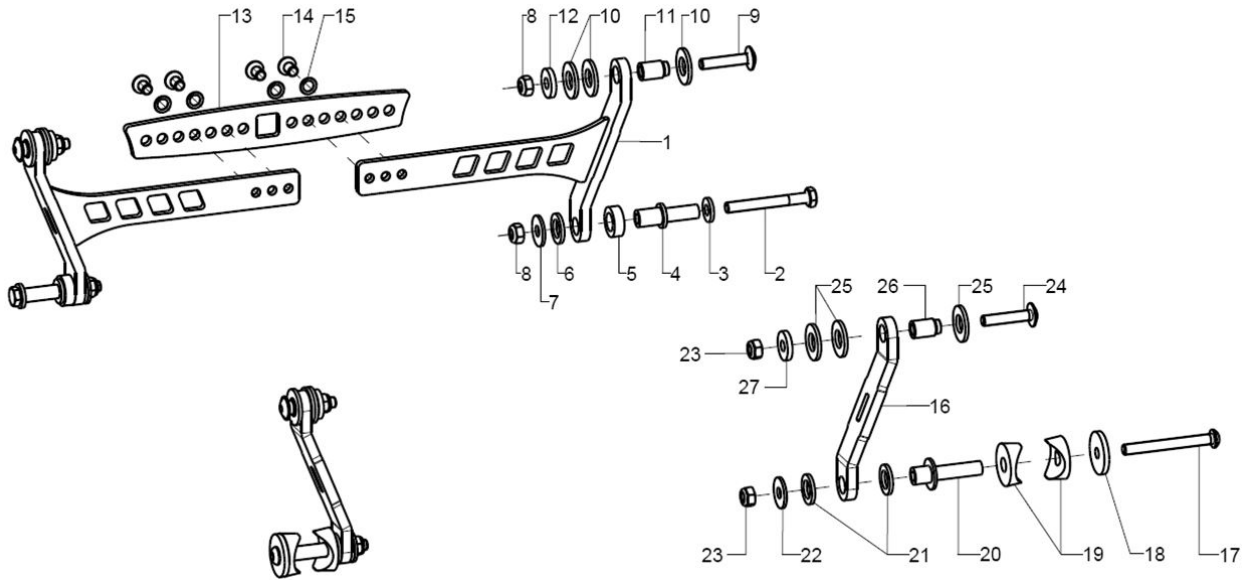
pcs.	Q/1	item no.	Product name:	Variant:	drawing no.
1-4	2	402001	heel holder size 1 7x11,5 cm incl. mounting set		40.20.01.01.00.14
o.B.	2	402002	heel holder size 2 9x12,5 cm incl. mounting set		40.20.02.01.00.14
o.B.	2	402003	heel holder size 3 10x15,5 cm incl. mounting set		40.20.03.01.00.14
2	2		counter sunk screw with hexagon socket DIN 7991 M5x14		01.65.07.90.05.00
3	2		washer DIN 9021 - M5		02.79.05.31.20.20
4	2		hexagon nut self-locking low form DIN 985 - M5		02.32.00.50.01.20

Seat, complete



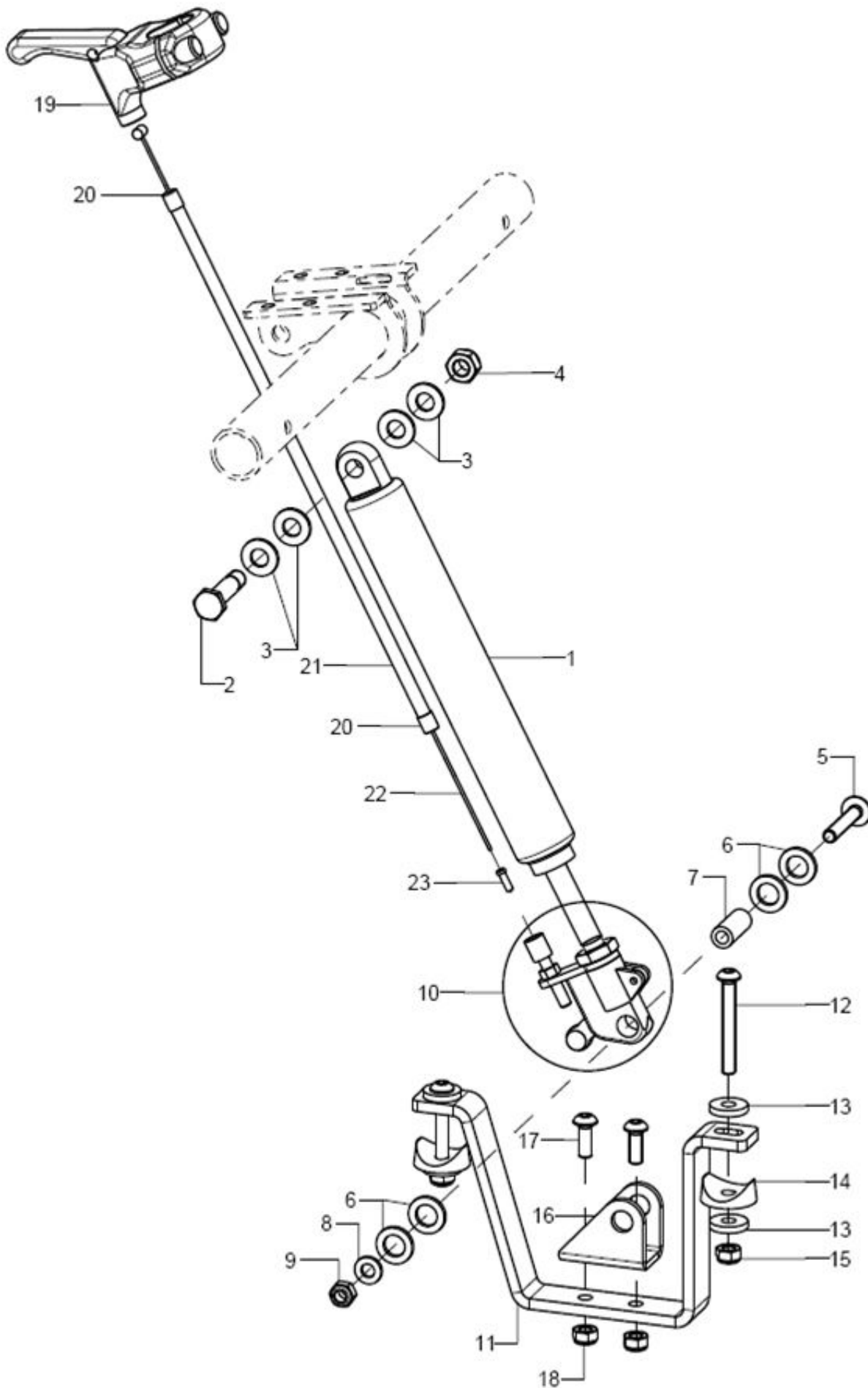
pcs.	Q/1	item no.	Product name:	Variant:	drawing no.
1	1	19060300	SeatFix		19.06.03.00.00.71
2-6	1P	190604ST	seat support frame incl. mounting set		19.06.07.ST.00.71
3	4				01.43.07.88.62.60
4	2		distance bushing hexagon N0370 6x20		02.47.20.62.02.10
5	2		lock washer S6		02.99.10.60.01.10
6	2		lens head screw with hexagon socket M6x16		01.43.08.52.65.00
7-12	4(6)	19060201	upper traverse adapter incl. mounting set		19.06.02.04.00.71
8	4		lens head screw with hexagon socket ISO 7380 - M8x20		01.42.09.74.65.00
9	4		lock washer S8		02.99.10.80.01.10
10	4				01.42.08.59.62.60
11	4		saddle washer $\varnothing 12/6 \times 2,5$		35.04.16.01.00.10
12	4		hexagon nut self-locking low form DIN 985 - M6		02.32.00.60.01.20
13-14	1	19060202	front seat traverse with adapter for leg support incl. mounting set		19.06.02.02.00.71
o.B.		19060209			19.06.02.09.00.71
14	4				01.43.07.88.62.60
15-16	1	19060403	back seat traverse with holder for gas pressure spring incl. mounting set		19.06.04.03.00.71
o.B.	1	5834SB	crossbar D=24x2xSW		58.34.01.00.00.69
16	4				01.43.07.88.62.60

Joint shackle



pcs.	Q/1	item no.	Product name:	Variant:	drawing no.
1	2	19060501	crossbar connection		19.06.05.XX.00.71
2-13	1	19060597	mounting set traverse connection		
2	2				01.03.08.62.02.40
3	2		washer reinforced $\varnothing 14/6,2 \times 2$		58.30.15.01.00.24
4	2				
5	2				
6	2				
7	2		washer DIN 9021 -6,4		02.79.06.41.60.20
8	4		hexagon nut self-locking low form DIN 985 - M6		02.32.00.60.01.20
9	2				01.43.08.58.65.00
10	6		washer DIN 125 - A 10,5 - PA black		02.61.10.52.01.71
11	2				
12	2		washer DIN 7349 - 6,4		02.77.06.53.00.20
13-15	1	19060505	connection lug		19.06.05.XX.00.71
14	4		lens head screw with hexagon socket ISO 7380 - M6x10		01.42.08.48.65.00
15	4		lock washer S6		02.99.10.60.01.10
16	2	19060503	front joint lug		19.06.05.03.00.71
17 - 27	1	19060599	mounting set front joint lug		
17	2		lens head screw with hexagon socket ISO 7380 - M6x55		01.42.08.63.65.00
18	2		washer D 25/d=6,2x3		28.00.21.01.00.10
19	4		saddle washer black $\varnothing 24/8$		04.63.39.24.08.30
20	2				
21	4				
22	2		washer DIN 9021 -6,4		02.79.06.41.60.20
23	4		hexagon nut self-locking low form DIN 985 - M6		02.32.00.60.01.20
24	2				01.43.08.58.65.00
25	6		washer DIN 125 - A 10,5 - PA black		02.61.10.52.01.71
26	2				
27	2		washer DIN 7349 - 6,4		02.77.06.53.00.20

Gas pressure spring incl. Holder





pcs.	Q/1	item no.	Product name:	Variant:	drawing no.
1+10	1	190508	gas pressure spring 100/80 complete		04.27.08.10.00.60
2-4	1	190503	fitted bolt M8x35 SW13		19.05.03.10.00.28
3	4		washer DIN 125 - A 8,4 - PA black		02.61.08.41.61.71
4	1		hexagon nut self-locking low form DIN 985 - M8		02.32.00.80.01.20
5-9	1	190504	mounting set gas pressure spring seat tilting bottom		
5	1		lens head screw with hexagon socket M6x35		01.43.08.59.65.00
6	4		washer 10,2x17x2 PA6 natural		02.83.17.02.00.10
7	1				
8	1		washer DIN 125 - A 6,4		02.61.06.41.41.20
9	1		hexagon nut self-locking low form DIN 985 - M6		02.32.00.60.01.20
10	1	190521	gas pressure spring release knob		04.27.00.99.81.00
11-18	1	19060210	gas pressure spring holder incl. mounting set		19.06.02.10.00.71
12	2		lens head screw with hexagon socket ISO 7380 - M6x45		01.42.08.61.65.00
13	4		washer DIN 7349 - 6,4		02.77.06.53.00.20
14	2		saddle washer black $\varnothing$ 24/6		04.63.39.24.06.30
15	2		hexagon nut self-locking low form DIN 985 - M6		02.32.00.60.01.20
16	1				
17	2		lens head screw with hexagon socket ISO 7380 - M6x16		01.42.08.52.65.00
18	2		hexagon nut self-locking low form DIN 985 - M6		02.32.00.60.01.20
19-23	1	190512	gas pressure spring release incl. mounting set		XXXXXXXXXXXX
19	1	190513	hand release lever for gas pressure spring, not lockable		04.54.92.12.20.10
o.B.	1				
20	1	352412	end bush metal $\varnothing$ 5		04.54.91.50.10.41
21	1	352013	outer shell for Bowden cable black 150mm		04.54.91.21.53.00
22	1	190517	inner cable for gas pressure spring 1.3x2000		04.54.91.11.31.30
23	1	352005	end cap for inner Bowden cable $\varnothing$ 1-1,5 mm		04.54.91.50.10.40



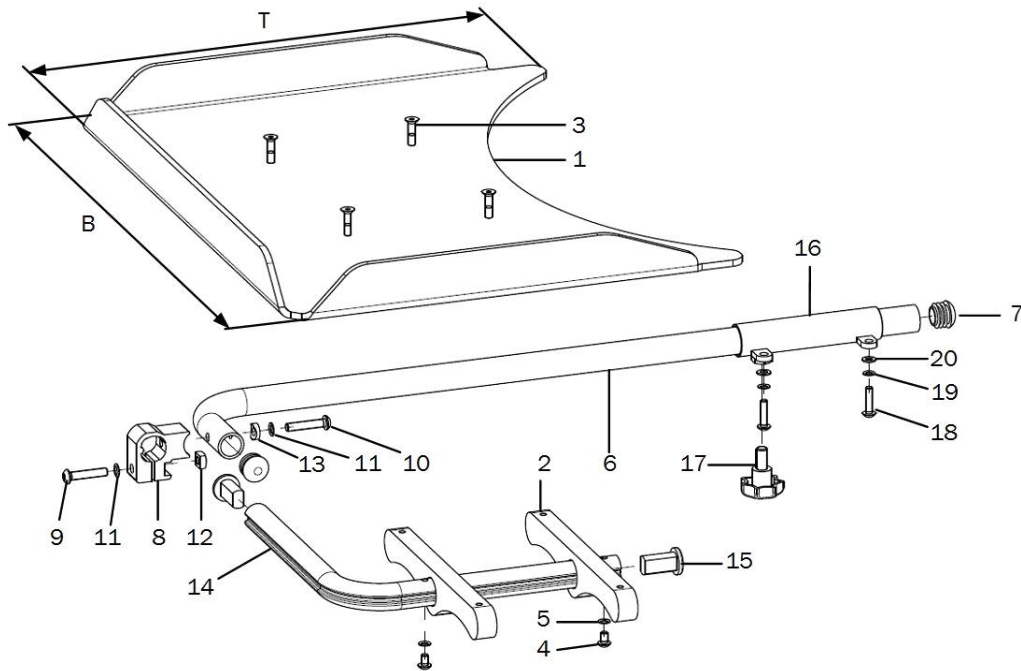
**Seat cushion**

pcs.	Q/1	item no.	Product name:	Variant:	drawing no.
o.B.	1	891002	anatomical seat cushion		XXXXXXXXXXXX
o.B.	1	891003	cover for anatomical seat cushion		XXXXXXXXXXXX
o.B.	1	891004	incontinence cover for anatomical seat cushion		XXXXXXXXXXXX
o.B.	1	8003	seat cushion, synthetic foam, 3cm thick		XXXXXXXXXXXX
o.B.	1	8005	seat cushion, synthetic foam, 5cm thick		XXXXXXXXXXXX
o.B.	1	8103	seat cushion, memory foam, 3cm thick		XXXXXXXXXXXX
o.B.	1	8105	seat cushion, memory foam, 5cm thick		XXXXXXXXXXXX
o.B.	1	80XX	cover for seat cushion		XXXXXXXXXXXX
o.B.	1	8603	incontinence protection for 3cm cushion (non refundable)		
o.B.	1	8605	incontinence protection for 5cm cushion (non refundable)		

Stoffmuster	XX
Betex schwarz	20
Betex blau	21
Betex rot	22
Betex grau	23
Betex grün	24
Betex gelb	25
Betex orange	27

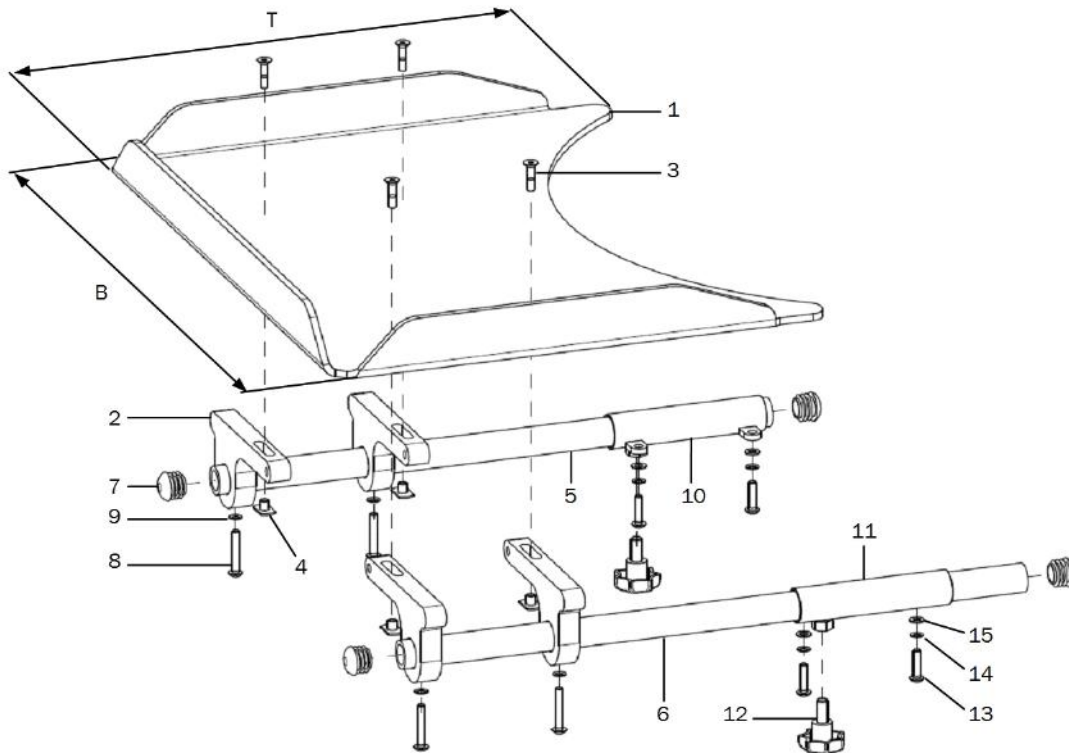
Alle Stoffmuster können unter [www.sorgrollstuhltechnik.de](http://www.sorgrollstuhltechnik.de) angesehen werden.

Therapy table, version 1, hinged sidewards



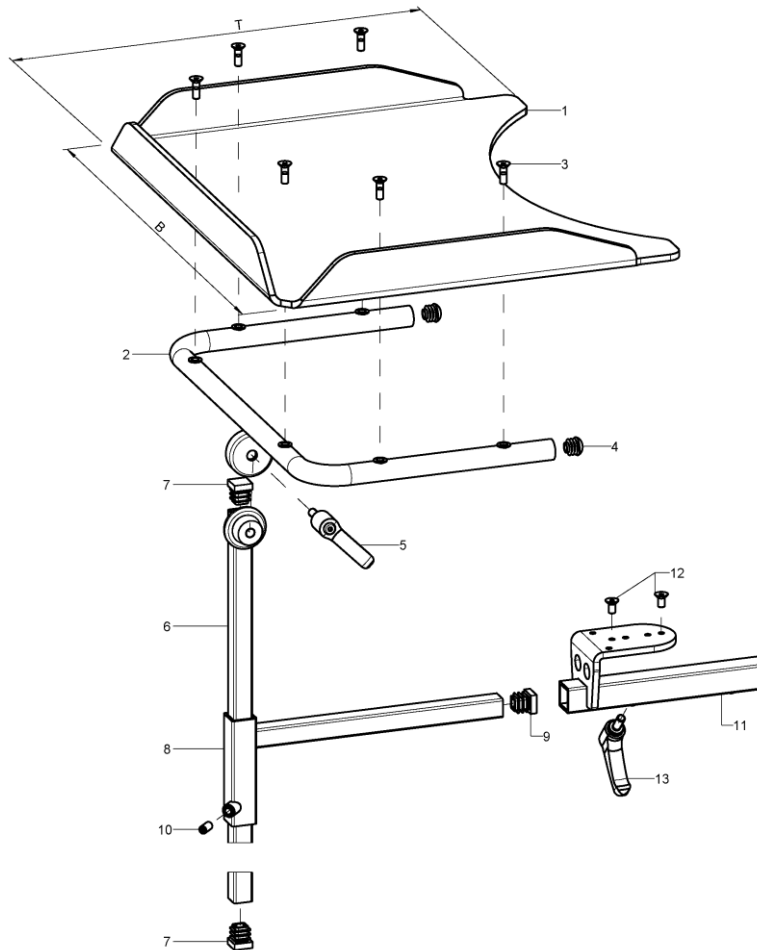
pcs.	Q/1	item no.	Product name:	Variant:	drawing no.
1-20	1	9204XX	therapy table version 1 swingaway to the side complete		XXXXXXXXXXXX
1	1	920030	therapy table size 1 (B45xT36) polycarbonate		92.00.10.01.00.51
o.B.	1	920031	therapy table size 2 (B59xT45) polycarbonate		92.00.11.01.00.51
o.B.	1	920032	therapy table size 3 (B70xT50) polycarbonate		92.00.12.01.00.51
o.B.	1	920033	therapy table size 1 (B50xT40) wood		92.00.13.01.00.10
o.B.	1	920034	therapy table size 2 (B60xT50) wood		92.00.14.01.00.10
2-20	1	9204	mounting set for therapy table version 1 complete without table		
2	2				
3	4		counter sunk screw with hexagon socket DIN 7991 M5x20		01.65.07.94.05.00
4	2		lens head screw with hexagon socket ISO 7380 - M5x8		01.42.07.87.65.00
5	2		lock washer S5		02.99.10.50.01.10
6	1	920402	holding tube, incl. plug		92.04.02.00.00.10
7	2		plugs for tube $\varnothing 20 \times 1-2$ , black		04.63.10.20.00.10
8-13	1	92040403	clamp unit incl. mounting set		92.04.04.03.00.10
9	1		lens head screw with hexagon socket ISO 7380 - M6x30		01.42.08.58.65.00
10	1		lens head screw with hexagon socket ISO 7380 - M6x35		01.42.08.59.65.00
11	2		lock washer S6		02.99.10.60.01.10
12	1		square nut DIN 557 M6		02.13.00.60.01.20
13	1		saddle washer $\varnothing 12/6 \times 2,5$		35.04.16.01.00.10
14-15	1	920404	foldable bail tube incl tube end plug		92.04.04.00.00.10
15	2	620105	plug for profile tube		62.01.05.00.00.74
16	1	920405	tube adapter, weldment, right incl. mounting set		92.07.01.01.02.10
o.B.	1	920406	tube adapter, weldment, left incl. mounting set		92.07.01.01.01.10
17-20	2	92040599	mounting set tube intake		XXXXXXXXXXXX
17	1		7-star knob $\varnothing 32$ - M8x15 external thread, black		04.05.47.14.15.40
18	2				
19	2		lock washer S5		02.99.10.50.01.10
20	2		washer DIN 125 - A 5,3		02.61.05.31.01.20

Therapy table, version 2, fixed to the arm pad



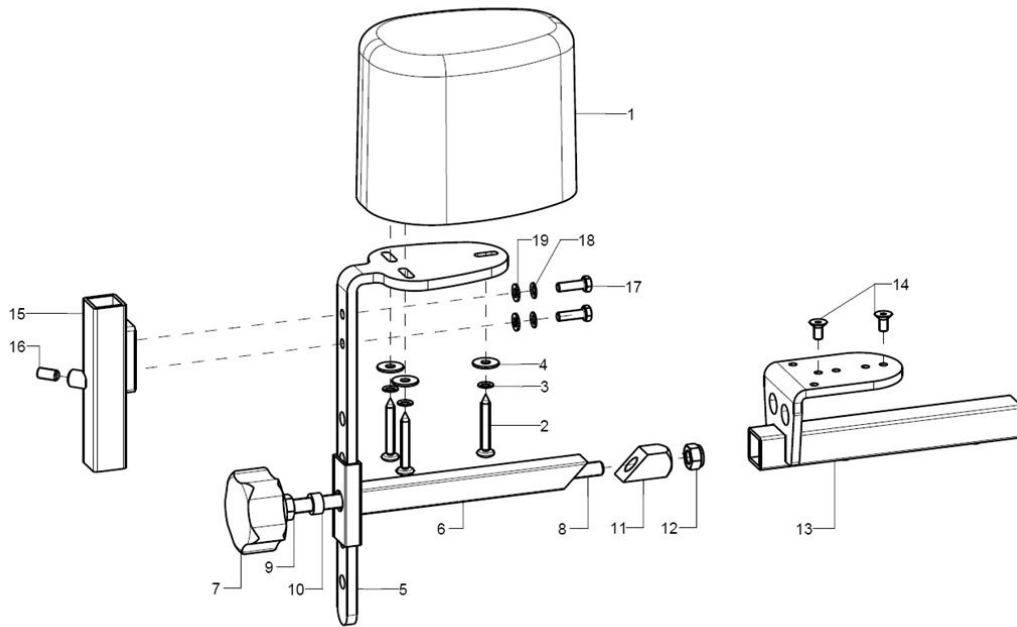
pcs.	Q/1	item no.	Product name:	Variant:	drawing no.
1-15	1	9207XX	therapy table version 2 on arm pad complete		XXXXXXXXXXXX
1	1	920030	therapy table size 1 (B45xT36) polycarbonate		92.00.10.01.00.51
o.B.	1	920031	therapy table size 2 (B59xT45) polycarbonate		92.00.11.01.00.51
o.B.	1	920032	therapy table size 3 (B70xT50) polycarbonate		92.00.12.01.00.51
o.B.	1	920033	therapy table size 1 (B50xT40) wood		92.00.13.01.00.10
o.B.	1	920034	therapy table size 2 (B60xT50) wood		92.00.14.01.00.10
2-15		9207	mounting set for therapy table version 2 on arm rest		
2	4	920705	pluggable supporting frame 15x61x120		92.07.05.01.00.51
3-4	1	92070599	mounting set support bracket		XXXXXXXXXXXX
3	4		counter sunk screw with hexagon socket DIN 7991 M5x20		01.65.07.94.05.00
4	4		weld nut C- M5x7,5		02.49.33.03.00.10
5	1	920702	holder tube 20x3x400 incl. mounting set		92.07.02.02.00.29
6	1	920704	holder tube 20x3x450 incl. mounting set		92.07.02.04.00.29
7	2		plugs for tube ø20x1-2, black		04.63.10.20.00.10
8	2		lens head screw with hexagon socket ISO 7380 - M5x30		01.42.07.98.65.00
9	2		lock washer S5		02.99.10.50.01.10
10+12-15	1	920701	tube adapter, weldment, right incl. mounting set		92.07.01.01.02.10
11-15	1	920703	tube adapter, weldment, left incl. mounting set		92.07.01.01.01.10
12-15	2	92040599	mounting set tube intake		XXXXXXXXXXXX
12	1		7-star knob ø32 - M8x15 external thread, black		04.05.47.14.15.40
13	2		lens head screw with hexagon socket ISO 7380 - M5x20		01.42.07.94.65.00
14	2		lock washer S5		02.99.10.50.01.10
15	2		washer DIN 125 - A 5,3		02.61.05.31.01.20

Therapy table, version 6, mounted under seat plate



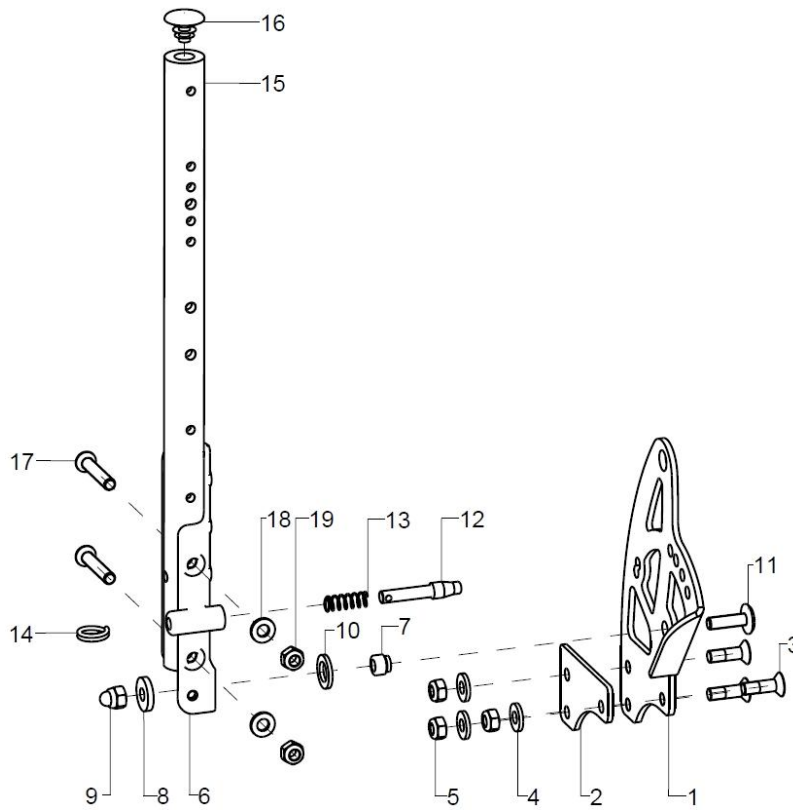
pcs.	Q/1	item no.	Product name:	Variant:	drawing no.
1-13	1	9209XX	therapy table central mounting under SeatFix complete		XXXXXXXXXXXX
1-7	1				
1	1	920030	therapy table size 1 (B45xT36) polycarbonate		92.00.10.01.00.51
o.B.	1	920031	therapy table size 2 (B59xT45) polycarbonate		92.00.11.01.00.51
o.B.	1	920032	therapy table size 3 (B70xT50) polycarbonate		92.00.12.01.00.51
o.B.	1	920033	therapy table size 1 (B50xT40) wood		92.00.13.01.00.10
o.B.	1	920034	therapy table size 2 (B60xT50) wood		92.00.14.01.00.10
2-13	1	920909	mounting set therapy table for centre attachment ( U-holder, cone rod with clamp lever, adapter holder, square adapter)		
2-5	1	920901	holder for therapy table incl. mounting set		92.09.01.01.00.72
3	6		counter sunk screw with hexagon socket DIN 7991 M5x16		01.65.07.92.05.00
4	2		plugs for tube ø22x1-2, black		04.63.10.22.00.10
5	1	650050	clamp lever adjustable M8x16, black		04.13.10.80.16.50
6-7	1	920902	cone rod 450 incl. plugs		92.08.03.04.00.24
7	2		plugs for square tubes, black 15x15		04.63.11.15.00.10
8-10	1	920903	adapter 220x85 incl. mounting set		92.08.02.01.00.24
9	1		plugs for square tubes, black 15x15		04.63.11.15.00.10
10	1		setscrew with hexagon socket DIN 913, M6x12		01.67.08.49.61.20
11-13	1	195102	weldment holder abduction wedge		19.50.01.01.00.10
12	2		counter sunk screw with hexagon socket DIN 7991 M5x10		01.65.07.88.05.00
13	1		clamp lever adjustable M6x16, black		04.13.10.60.16.50

Abduction wedge



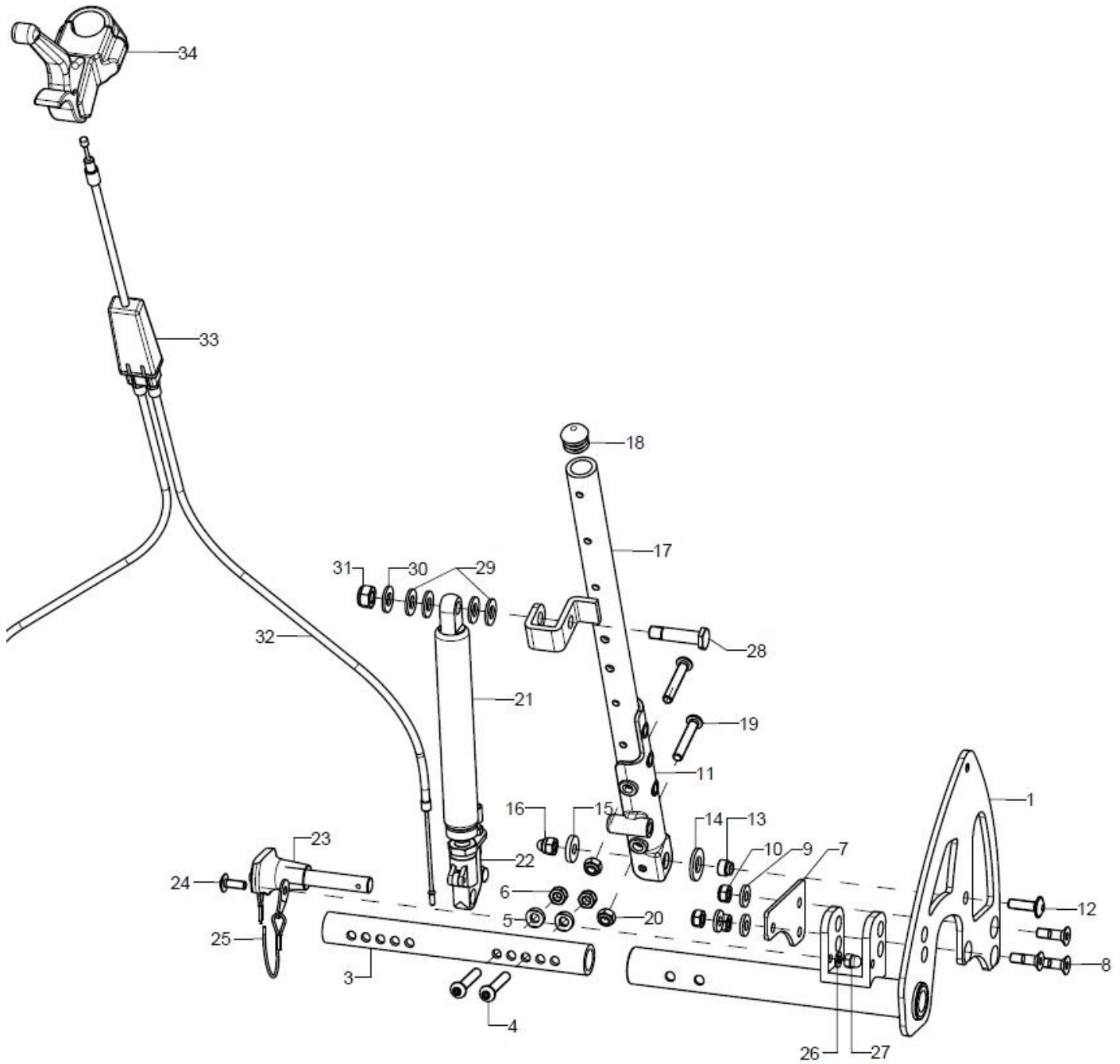
pcs.	Q/1	item no.	Product name:	Variant:	drawing no.
1-14	1	1952	abduction wedge size s		XXXXXXXXXXXX
o.B.	1	1953	abduction wedge size m		XXXXXXXXXXXX
o.B.	1	1954	abduction wedge size l		XXXXXXXXXXXX
1	1	195002	abduction wedge small		04.65.17.09.01.20
o.B.	1	195003	abduction wedge medium		04.65.17.11.03.20
o.B.	1	195004	abduction wedge large		04.65.17.13.02.20
2-4	1	19500299	mounting set abduction wedge on holder angle		XXXXXXXXXXXX
2	3				01.88.07.99.00.80
3	3		lock washer S5		02.99.10.50.01.10
4	3		washer DIN 9021 - M5		02.79.05.31.20.20
5	1	195101	bracket for abduction wedge		19.50.03.02.00.10
6	1	195103	weldment clamper		19.50.02.01.00.10
7-12	1	684004	clamping set for posterior truss pad or abduction wedge		XXXXXXXXXXXX
7	1		5-star knob ø50 - M8 internal thread, black		04.05.35.34.00.40
8	1				
9	1		hexagon nut DIN 934 - M8		02.19.00.80.01.20
10	1				28.00.31.01.00.01
11	1				68.40.04.04.00.51
12	1		hexagon nut self-locking low form DIN 985 - M6		02.32.00.60.01.20
13-14	1	195102	weldment holder abduction wedge		19.50.01.01.00.10
14	2				01.43.07.88.62.60
15-19	1	400105	universal leg support socket for combination abduction wedge with therapy table incl. mounting set		40.01.01.05.00.28
16	1		setscrew with hexagon socket DIN 913, M6x12		01.67.08.49.61.20
17	2		hexagon screw DIN 933 - M5x16		01.04.07.92.02.40
18	2		lock washer S5		02.99.10.50.01.10
19	2		washer DIN 125 - A 5,3		02.61.05.31.01.20

Back, adjustable in angle



pcs.	Q/1	item no.	Product name:	Variant:	drawing no.
1	1	61210102	index plate right		61.21.01.01.02.71
o.B.	1	61210101	index plate left		61.21.01.01.01.71
2-5	1	61210103	distance with index plate incl. mounting set		61.21.01.02.00.71
3	3		counter sunk screw with hexagon socket DIN 7991 M6x20		01.65.08.54.02.40
4	3		washer reinforced $\varnothing 14/6,2 \times 2$		58.30.15.01.00.24
5	3		hexagon nut self-locking low form DIN 985 - M6		02.32.00.60.01.20
6	1	62370204	U-part 137 mm, right		61.09.05.01.02.00
o.B.	1	62370203	U-part 137 mm, left		61.09.05.01.01.00
7-11	2	62370298	mounting set U-part 137 mm		XXXXXXXXXXXX
7	1				61.03.02.01.00.18
8	1		washer DIN 7349 - 6,4		02.77.06.53.00.20
9	1		hexagon cap nut low form with clamp DIN 986 - M6		02.33.00.60.11.20
10	1		washer DIN 125 - A 10,5 - PA black		02.61.10.52.01.71
11	1		flat head screw with hexagon socket type KF - M6x20		01.67.08.54.60.80
12-14	1	610109	locking bolt incl. mounting set (spring and ring)		61.01.02.04.00.24
13	2		pressure spring DIN 2098 0,7x7,65/9,05x21		04.21.00.80.21.00
14	2		wire form ring 2x16		04.29.04.42.20.00
o.B.	1	610212	keyring, spring steel wire $\varnothing 3$ - outer ring $\varnothing 32$ + polyester cord $\varnothing 3$ mm		Ohne Nummer
15-16	2	623302XX			62.33.02.00.00.00
16	2				04.63.10.20.01.10
17 -19	2	62330099	mounting set back tube		XXXXXXXXXXXX
17	2				01.42.08.59.62.60
18	2		washer DIN 125 - A 6,4		02.61.06.41.41.20
19	2		hexagon nut self-locking low form DIN 985 - M6		02.32.00.60.01.20

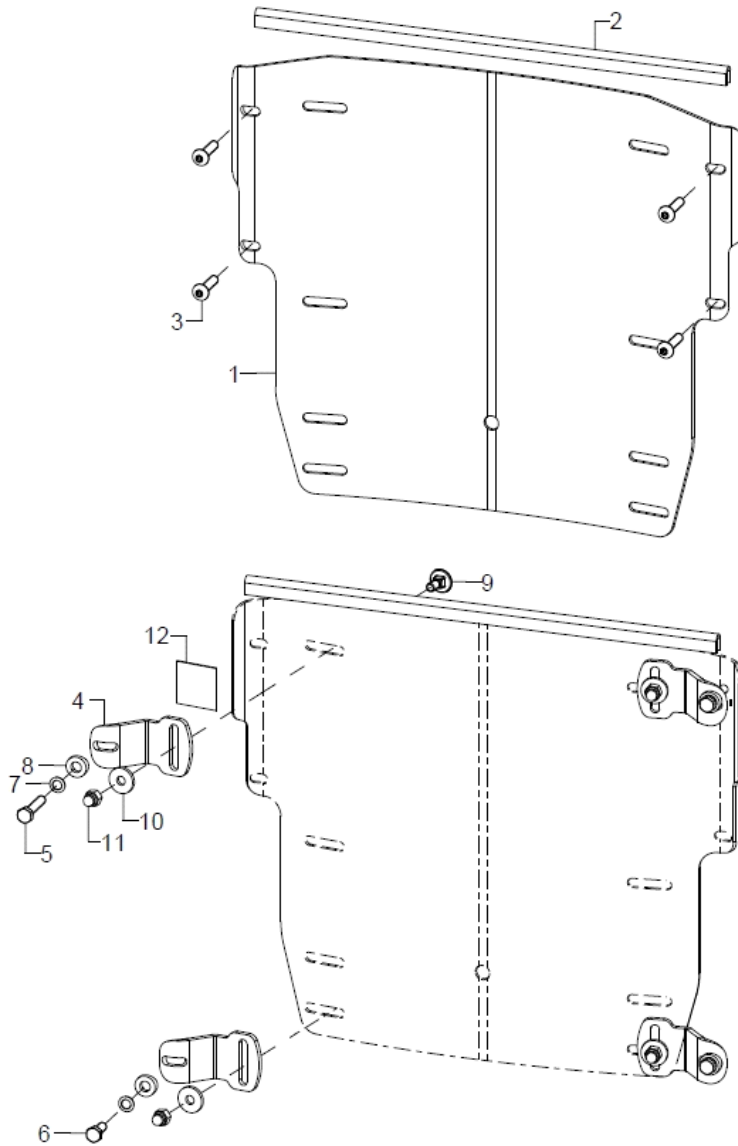
Back adjustable with gas pressure spring



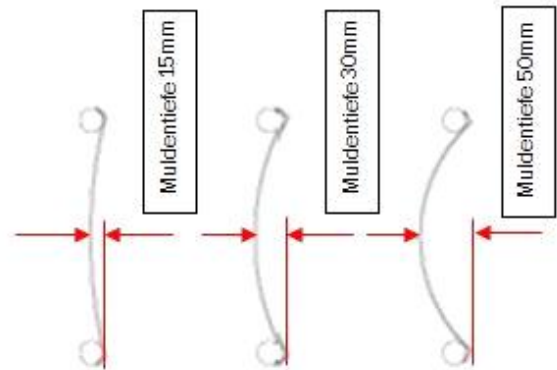
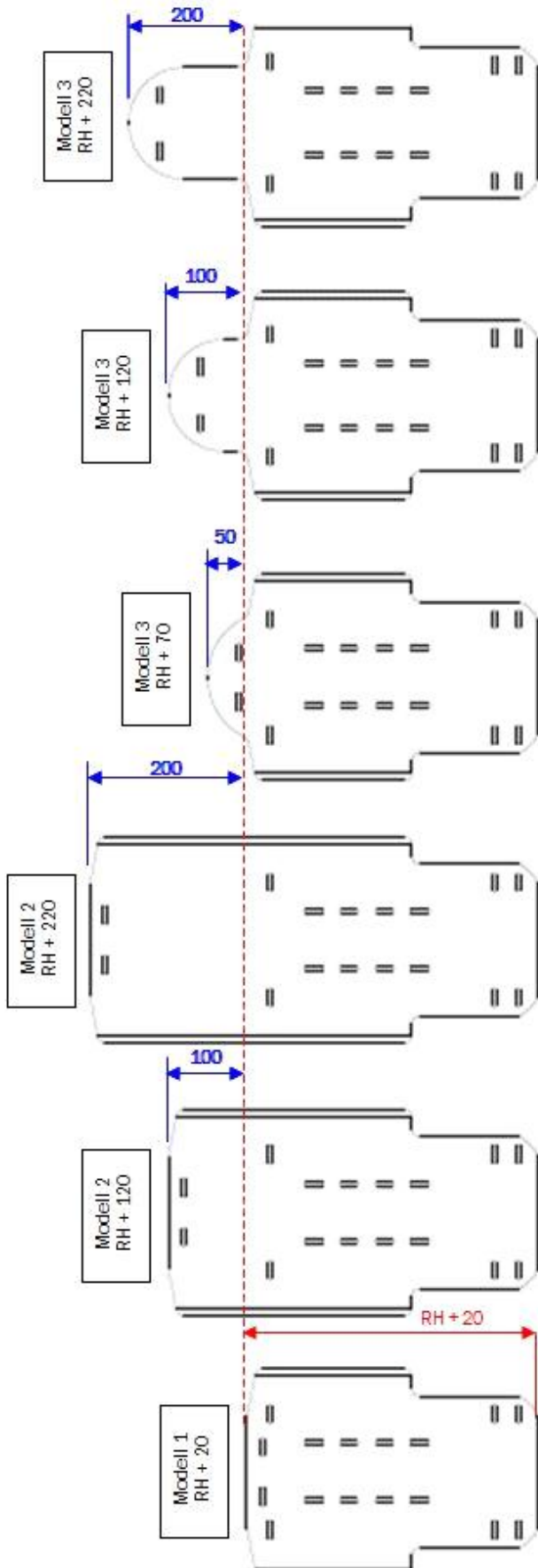
pcs.	Q/1	item no.	Product name:	Variant:	drawing no.
1-34	1	613500	back with gas pressure spring adjustment complete		XX.XX.XX.XX.XX
1	1	613502	angle adjustable crossbar left incl. plug		61.35.01.00.02.71
o.B.	1	613501	angle adjustable crossbar right incl. plug		61.35.01.00.01.71
3-6	1	613504	crossbar gas pressure spring incl. mounting set		61.35.01.04.00.71
4	4				01.42.08.59.62.60
5	4		saddle washer Ø12/6x2,5		35.04.16.01.00.10
6	4		hexagon nut self-locking low form DIN 985 - M6		02.32.00.60.01.20
7-10	2	61210103	distance with index plate incl. mounting set		61.21.01.02.00.71
8	3		counter sunk screw with hexogon socket DIN 7991 M6x20		01.65.08.54.02.40
9	3		washer reinforced Ø14/6,2x2		58.30.15.01.00.24
10	3		hexagon nut self-locking low form DIN 985 - M6		02.32.00.60.01.20
11	1	62370204	U-part 137 mm, right		61.09.05.01.02.00
o.B.	1	62370203	U-part 137 mm, left		61.09.05.01.01.00
12-16	2	62350199	mounting set U-part 137 mm		XXXXXXXXXXXX
12	1		lens head screw with hexagon socket M6x20		01.43.08.54.65.00
13	1				61.03.02.01.00.18
14	1		washer DIN 125 - A 10,5 - PA black		02.61.10.52.01.71
15	1		washer DIN 7349 - 6,4		02.77.06.53.00.20
16	1		hexagon cap nut low form with clamp DIN 986 - M6		02.33.00.60.11.20
17-18	1	623502RH	back tube-gas pressure spring right, incl. cap		62.35.02.02.00.71
o.B.	1	623501RH	back tube-gas pressure spring left, incl. cap		62.35.02.01.00.71
18	1		plugs for tube Ø18x1-2, black		04.63.10.18.00.10
19-20	2	62330099	mounting set back tube		XXXXXXXXXXXX
19	2		lens head screw with hexagon socket M6x35		01.43.08.59.65.00
20	2		hexagon nut self-locking low form DIN 985 - M6		02.32.00.60.01.20
21-22	2	190505			04.27.04.10.00.50
o.B.	2	190507	gas pressure spring 200/40 complete with release knob		04.27.04.20.00.60
22	2	190521	gas pressure spring release knob		04.27.00.99.81.00
23-27	2	613509	ball lock bolt complete		04.14.10.80.35.10
24	2				01.43.07.90.65.00
25	2				04.14.10.80.35.11
26	2		washer DIN 125 - A 5,3		02.61.05.31.01.20
27	2		hexagon nut self-locking low form DIN 985 - M5		02.32.00.50.01.20
28-31	2	190503	fitted bolt M8x35 SW13		19.05.03.10.00.28
29	4		washer DIN 125 - A 8,4 - PA black		02.61.08.41.61.71
30	2		washer DIN 125 - A 8,4		02.61.08.41.41.20
31	2		hexagon nut self-locking low form DIN 985 - M8		02.32.00.80.01.20
32	2	190514	bowden cable incl. cover and connection parts		19.05.14.99.00.71
33	1	045491803010	double cable brake distributor		04.54.91.80.30.10
34	1	352010	hand brake lever for attendant brake incl. mounting set		04.54.92.22.20.10
o.B.	1	352014	hand brake lever adjustable incl. childproof		XXXXXXXXXXXX



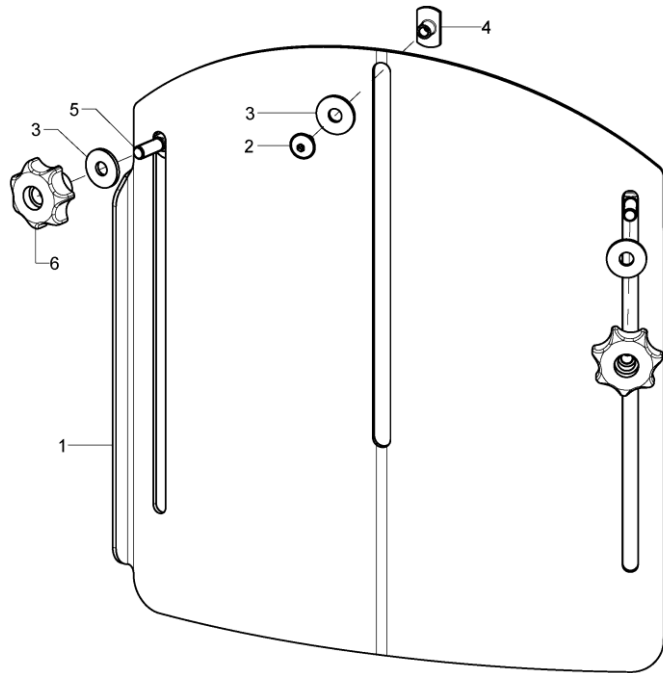
Curved back plate



pcs.	Q/1	item no.	Product name:	Variant:	drawing no.
1	1	6930XX			69.30.XX.00.00.00
o.B.	1	6931XX			69.31.XX.00.00.00
o.B.	1	6932XX			69.32.XX.00.00.00
o.B.	1	6933XX			69.33.XX.00.00.00
o.B.	1	6934XX			69.34.XX.00.00.00
o.B.	1	6935XX			69.35.XX.00.00.00
2	1	450030	edge protection-steel clamp band, 1-2 mm black		00.45.07.10.99.10
3	4				01.42.07.95.65.00
4+5+7-12	2	692598	mounting set curved back plate		XXXXXXXXXXXX
4+6-11	2				
4	1	692510	screwed on holding plate		69.25.05.01.00.69
5	1		hexagon screw DIN 933 - M5x25		01.04.07.96.02.40
6	1		hexagon screw DIN 933 - M5x12		01.04.07.89.02.40
7	1		lock washer S5		02.99.10.50.01.10
8	1				40.04.16.01.00.10
9	1		round-head screw DIN 6003 M5x12		01.11.07.89.00.40
10	1		washer DIN 7349 - 5,3		02.77.05.22.00.20
11	1		hexagon cap nut low form with clamp DIN 986 - M5		02.33.00.60.21.20



Back elongation



pcs.	Q/1	item no.	Product name:	Variant:	drawing no.
1	1	686091			68.60.01.00.00.00
2-6	1	68607299	mounting set back extension		XXXXXXXXXXXX
2	1		lens head screw with hexagon socket M5x8		01.43.07.87.62.60
3	3		washer DIN 9021- 6,4- PA		02.79.06.41.60.70
4	1		weld nut C- M5x7,5		02.49.33.03.00.10
5	2		round-head screw DIN 6003 M6x20		01.11.08.54.00.40
6	2		7-star knob $\varnothing$ 32 - M6 internal thread continuous, black		04.05.37.64.20.30

**Cushion for curved back plate**

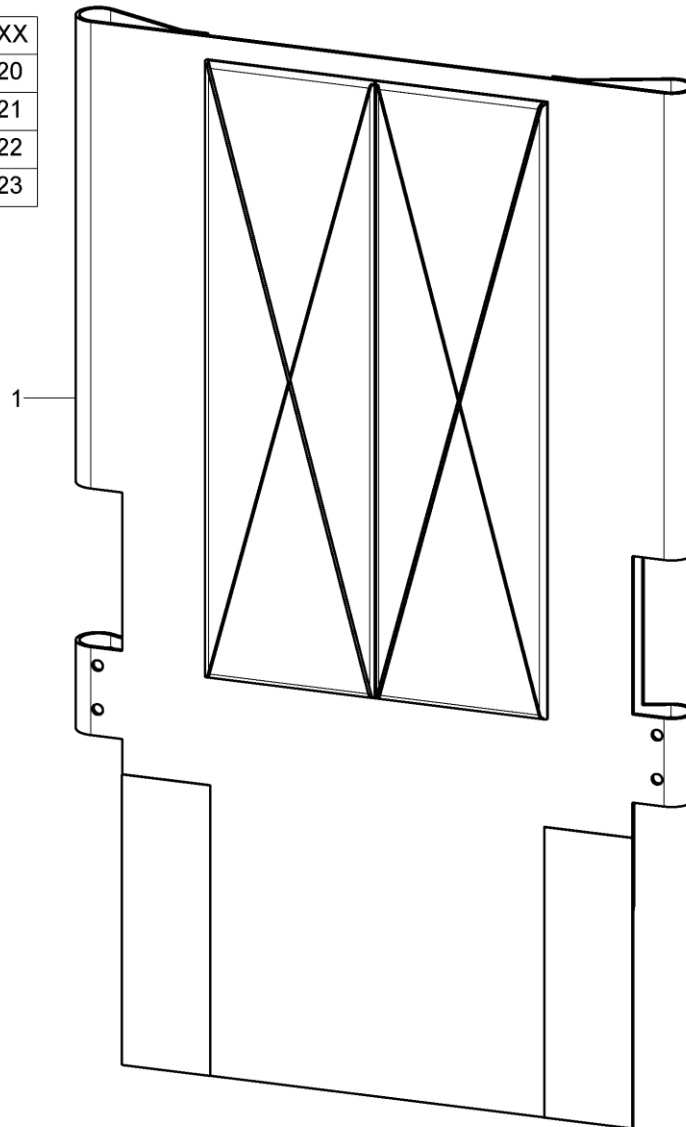
pcs.	Q/1	item no.	Product name:	Variant:	drawing no.
o.B.	1	8517	back cushion 3cm with zipper		XXXXXXXXXXXXX
o.B.	1	8517XX	cover for back cushion		XXXXXXXXXXXXX
o.B.	1	891104	anatomical back (3cm) incl. changeable cover		
o.B.	1	891106	anatomical back (5cm) incl. changeable cover		
o.B.	1	8911XX	cover for anatomical back		XXXXXXXXXXXXX
o.B.	1	68607201	head rest pad incl. cover for back extension		

Stoffmuster	XX
Betex schwarz	20
Betex blau	21
Betex rot	22
Betex grau	23
Betex grün	24
Betex gelb	25
Betex orange	27

Alle Stoffmuster können unter [www.sorgrollstuhltechnik.de](http://www.sorgrollstuhltechnik.de) angesehen werden.

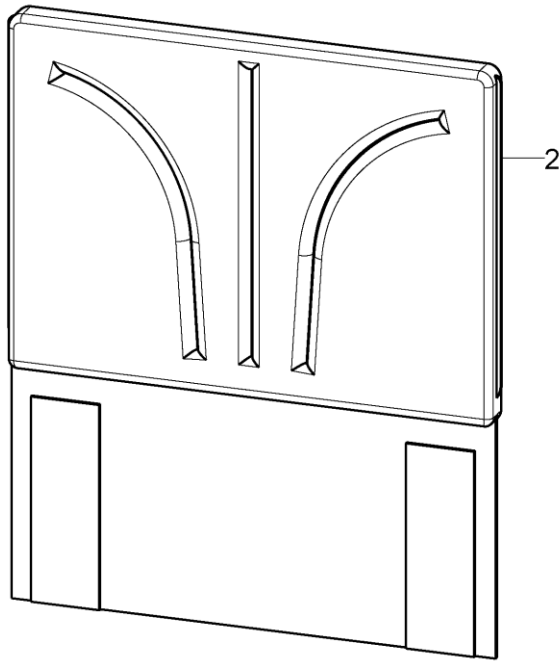
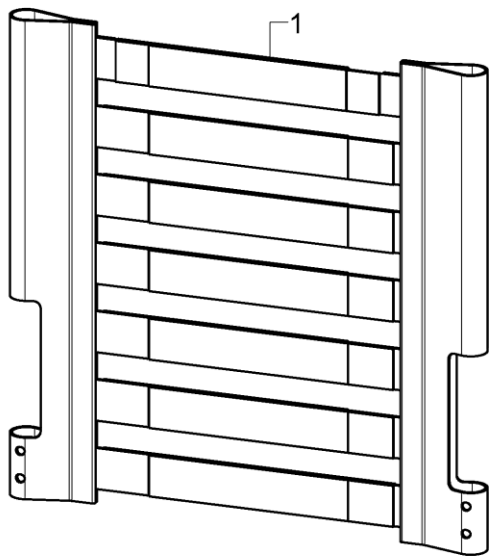
Back cover standard

Stoffmuster	XX
schwarz	20
blau	21
rot	22
grau	23



pcs.	Q/1	item no.	Product name:	Variant:	drawing no.
1	1	671104XX			XX.XX.XX.XX.XX
o.B.	2		counter sunk screw with hexogon socket DIN 7991 M5x16		01.65.07.92.05.00
o.B.	2		rosette ø13/6x2, black		04.14.70.60.02.00

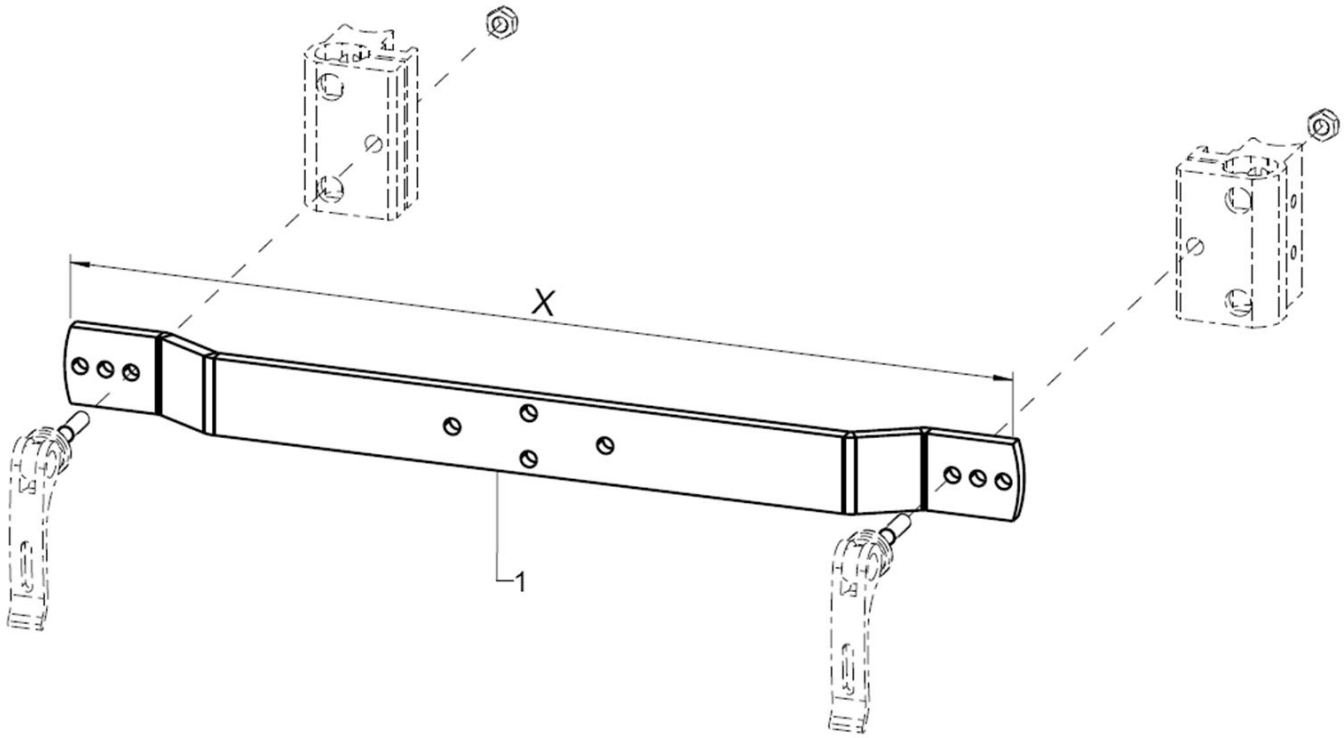
Back cover adjustable



Stoffmuster	XX
Betex schwarz	20
Betex blau	21
Betex rot	22
Betex grau	23
Betex grün	24
Betex gelb	25
Betex orange	27

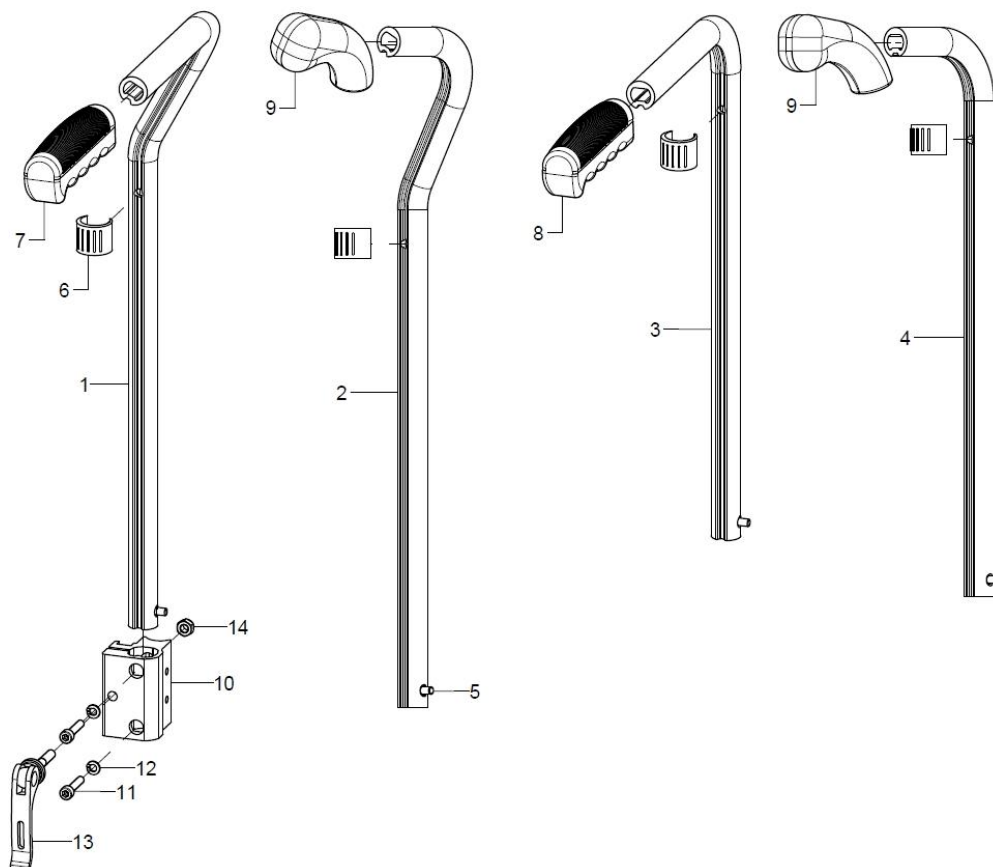
pcs.	Q/1	item no.	Product name:	Variant:	drawing no.
1+2	1	670103XX			XX.XX.XX.XX.XX.XX
1	1				XX.XX.XX.XX.XX.XX
2	1	670599	back cover with cushion 2 cm		XX.XX.XX.XX.XX.XX
o.B.	2		counter sunk screw with hexogon socket DIN 7991 M5x16		01.65.07.92.05.00
o.B.	2		rosette ø13/6x2, black		04.14.70.60.02.00

Stabilizer bar



pcs.	Q/1	item no.	Product name:	Variant:	drawing no.
1	1	640901	stabilizer bar on SHG holder		64.08.00.00.00.69

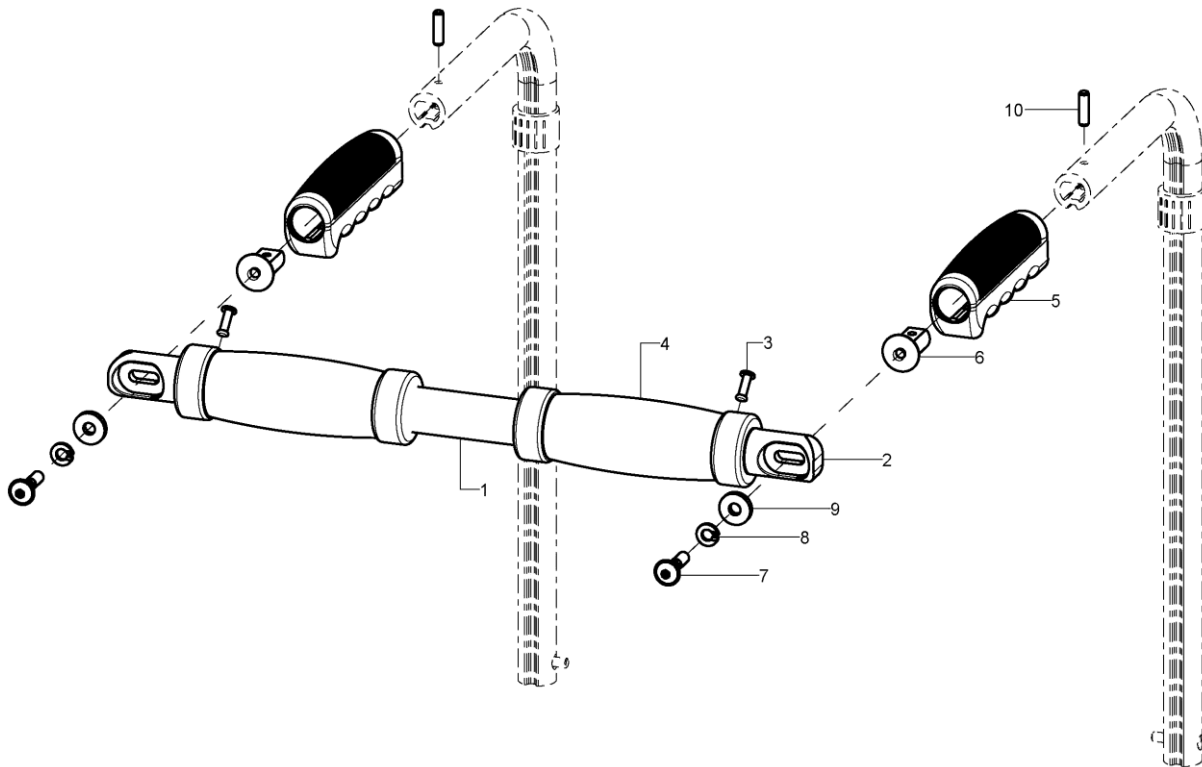
Push handle, extendable



pcs.	Q/1	item no.	Product name:	Variant:	drawing no.
1+5-7	1	650532	push handle 15 cm, cranked, extendable, right complete		65.05.30.01.06.28
o.B.	1	650531	push handle 15 cm, cranked, extendable, left complete		65.05.30.01.05.28
o.B.	1	650632	push handle 25 cm, cranked, extendable, right complete		65.06.30.01.06.28
o.B.	1	650631	push handle 25 cm, cranked, extendable, left complete		65.06.30.01.05.28
2+5-7	1	650552			65.05.50.01.02.00
o.B.	1	650551			65.05.50.01.01.00
o.B.	1	650554			65.05.50.02.02.00
o.B.	1	650553			65.05.50.02.01.00
3+5-7	2	650130	push handle 15 cm, extendable straight, complete		65.01.30.01.00.10
o.B.	2	650230	push handle 25 cm, straight, extendable, complete		65.02.30.01.00.10
4+5-7	2	650251			65.02.50.01.00.00
o.B.	2	650250			65.02.50.02.00.00
5	2	650160	locking unit for push handles		65.01.30.03.00.10
6	2	046350200010	clamp conductor black, ø 18-20		04.63.50.20.00.10
7	1	650018	handle with bas right - 26x40x112 black		65.00.20.01.02.10
o.B.	1	650019	handle with bas left - 26x40x112 black		65.00.20.01.03.10
8	2	650017	handle PVC black, straight with base		65.00.20.01.01.10
9	2	650021	handle PVC soft, curved, ø20 mm		62.37.03.05.00.69
10-14	2	650051	push handle clamp holder 38x42x58, incl. eccentric clamp and mounting set		65.00.51.01.00.10
11	2		cylinder screw DIN 912 M5x25		01.22.07.96.62.40
12	2		spring ring DIN 127 - A 5		02.85.30.50.05.10
13-14	1	041340603510	eccentric clamp length 35 mm M6x20, black		04.13.40.60.35.10
14	1		hexagon nut self-locking low form DIN 985 - M6		02.32.00.60.01.20



Push bar for extendable push handle



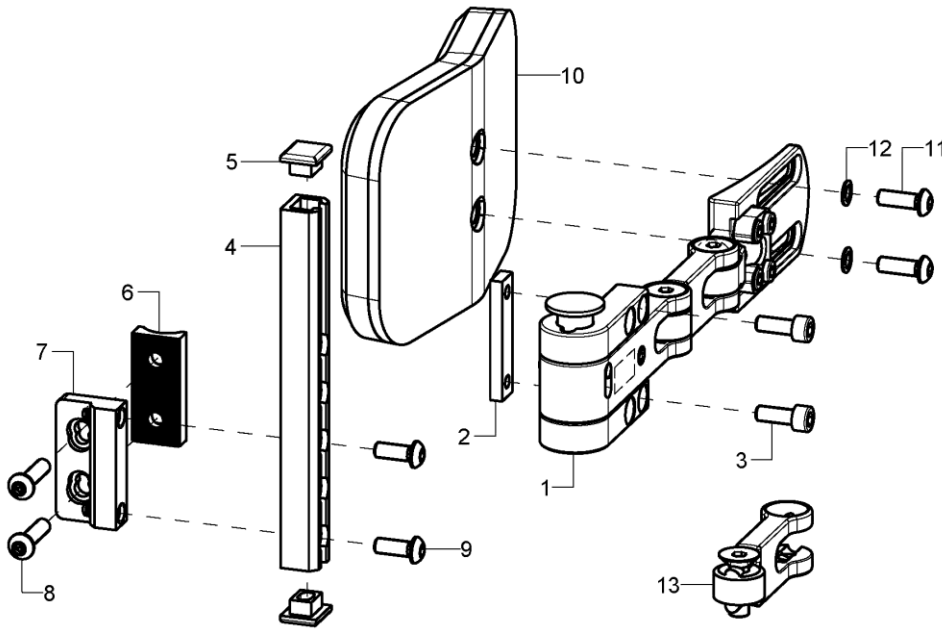
pcs.	Q/1	item no.	Product name:	Variant:	drawing no.
1-4+6-11	1	6550	push bar complete		XXXXXXXXXXXX
1-4	1				65.57.01.01.00.28
2	2	655000	holder closed		65.50.00.01.00.10
3	2		blind rivet F4x18 Al/St		03.64.00.40.18.60
4	2	655004	handle cover 125 mm		04.65.18.12.00.10
5	2	650020	handle PVC black, straight without base		65.00.20.01.04.10
o.B.	1	650018	handle with bas right - 26x40x112 black		65.00.20.01.02.10
o.B.	1	650019	handle with bas left - 26x40x112 black		65.00.20.01.03.10
6-10	2	65500199	mounting set for push bail		XXXXXXXXXXXX
6	2	655003			65.50.02.05.00.10
7	1		lens head screw with hexagon socket M6x25		01.43.08.56.65.00
8	1		spring ring DIN 127- A6		02.85.30.60.05.10
9	1		washer DIN 7349 - 6,4		02.77.06.53.00.20
10	1		locking pin DIN 1481, ø 4x16- piece, ISO 8752EN28752		03.41.00.40.16.10





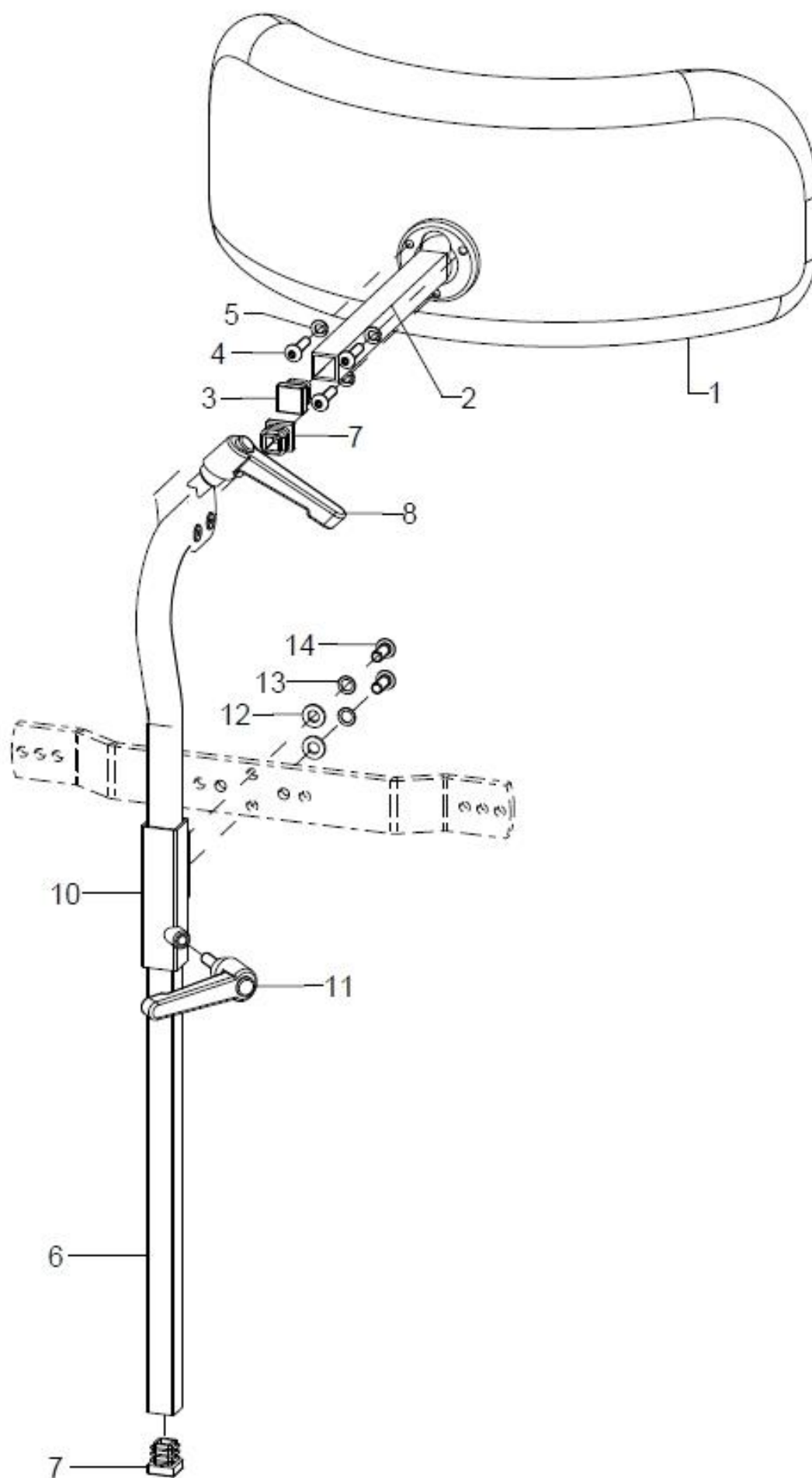
pcs.	Q/1	item no.	Product name:	Variant:	drawing no.
1-5+9- 11	1	6532	push bail extendable by 20 cm, 307° angle adjustment metal joint, complete		XXXXXXXXXXXX
1a+2a+ 3-4	1	653001	push bail 90° pre-assembled for SW 40 – 46 when push handle clamp holder is mounted to the back tube		XXXXXXXXXXXX
1b+2b +3+4	1	653002	push bail cropped pre-assembled		XX.XX.XX.XX.XX
1a	1	653009	push bail, bend part- 20x150x150, left		65.34.00.02.01.66
1b	1	653006	push bail left part		65.30.01.02.01.47
2a	1	653010	push bail, bend part- 20x150x150, right		65.34.00.02.02.66
2b	1	653007	push bail right part		65.30.01.02.02.47
3	1	653004	steel tube incl. riveting		65.30.01.04.00.24
4	2	653005	tube cover - rubber 260 mm		65.30.03.01.00.47
5+6	4	653406	plug for nut M6 incl hexagon nut		65.22.20.10.00.00
6	4		hexagon nut self-locking low form DIN 985 - M6		02.32.00.60.01.20
7-10	2	652220	angle adjusting element metal 307° compl with eccentric clamp and mounting set		65.22.20.99.00.10
8	2	652224	eccentric clamp length 35 mm M6x20, black (incl. spring, nut, washer, bush)		04.13.40.60.35.10
9	2		lens head screw with hexagon socket ISO 7380 - M6x25		01.42.08.56.65.00
10	2		spring ring DIN 127- A6		02.85.30.60.05.10
11	2	653202	profile tube support 200		65.31.02.01.00.24
12	2	046350200010	clamp conductor black, ø 18-20		04.63.50.20.00.10
13	2	650160	locking unit for push handles		65.01.30.03.00.10
14-18	2	650061	push bail holder R10		65.00.51.02.00.10
15	1	041340603510	eccentric clamp length 35 mm M6x20, black		04.13.40.60.35.10
16	2		cylinder screw DIN 912 M5x25		01.22.07.96.62.40
17	2		spring ring DIN 127 - A 5		02.85.30.50.05.10
18	1		hexagon nut self-locking low form DIN 985 - M6		02.32.00.60.01.20

Truss pads

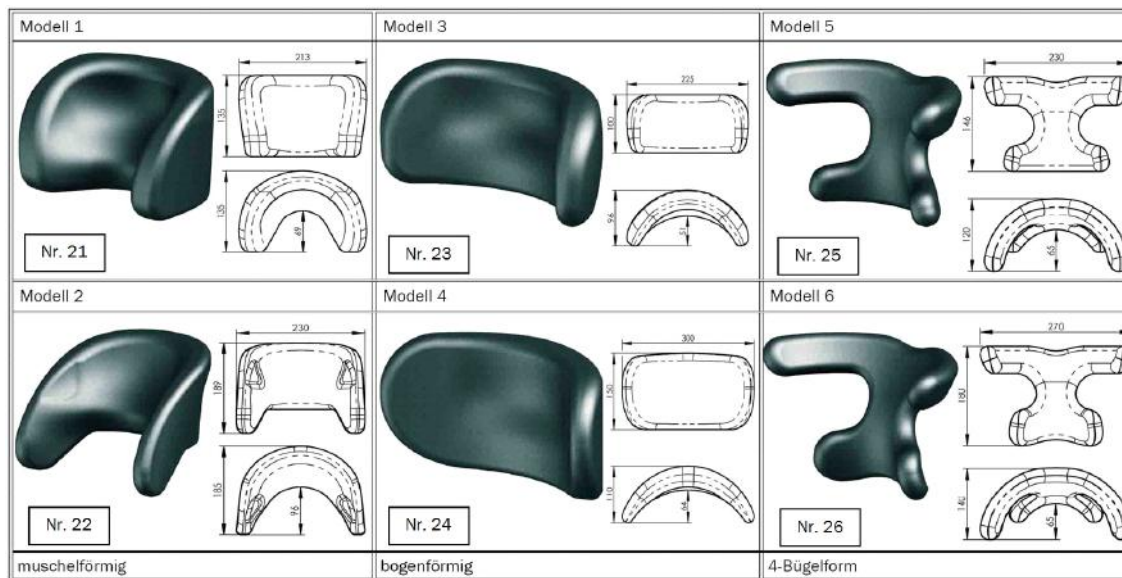


pcs.	Q/1	item no.	Product name:	Variant:	drawing no.
1	1	68590202			68.59.02.00.02.00
o.B.	1	68590201			68.59.02.00.01.00
2-9	1	68590111			68.59.01.11.90.00
2-5+9	1	68590112			XX.XX.XX.XX.XX.XX
2	1				68.59.02.12.00.00
3	2		cylinder screw DIN 912 M6x16		01.22.08.52.62.40
4	1				68.59.01.20.00.00
5	2				35.01.02.05.00.10
6	1				68.57.01.05.00.00
7	1				68.57.01.03.00.00
8	2		lens head screw with hexagon socket ISO 7380 - M6x25		01.42.08.56.65.00
9	2		lens head screw with hexagon socket ISO 7380 - M6x12		01.42.08.49.65.00
o.B.	2		counter sunk screw with hexagon socket DIN 7991 M5x16		01.65.07.92.05.00
10-12	1	68590204			68.59.01.23.00.00
o.B.	1	68590205			68.59.01.24.00.00
11	2		lens head screw with hexagon socket ISO 7380 - M6x16		01.42.08.52.65.00
12	2		lock washer S6		02.99.10.60.01.10
13	1	68590203			68.59.02.15.00.00

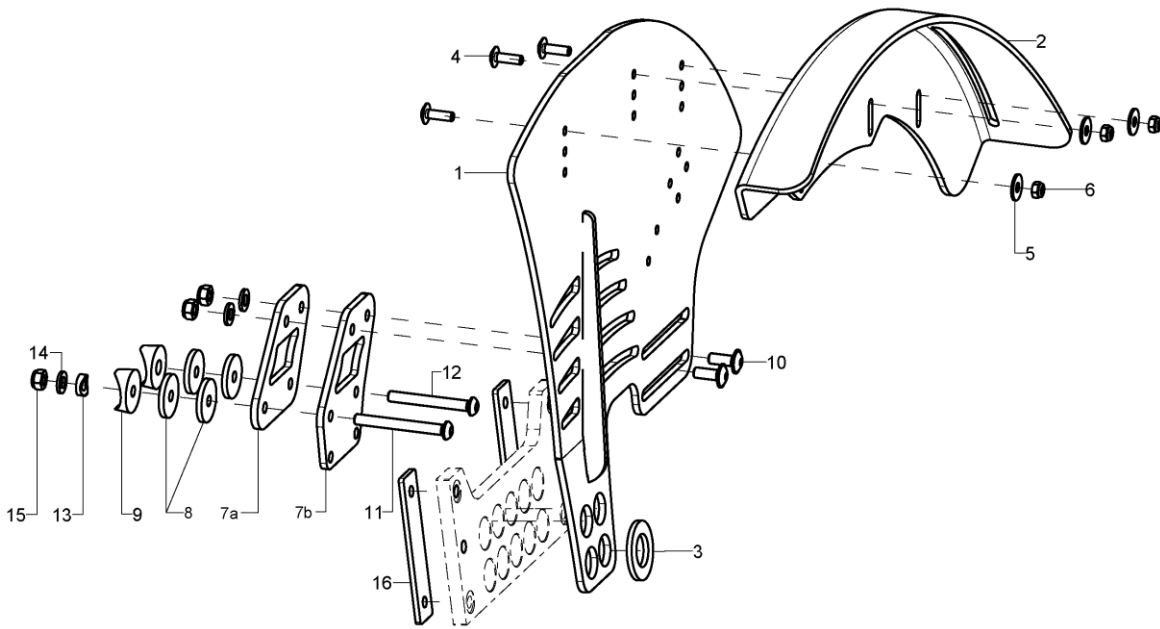
Head rest



pcs.	Q/1	item no.	Product name:	Variant:	drawing no.
1-14	1	686021			
altern.	1	686022			
altern.	1	686023			
altern.	1	686024			
altern.	1	686025			
altern.	1	686026			
1-5	1	686031	head rest cushion model 1, 213x145 mm shell form complete		68.60.15.99.00.10
altern.	1	686032	head rest cushion model 2, 220x189 mm shell form complete		68.60.18.99.00.10
altern.	1	686033	head rest model 3, 225x100 curved complete		68.60.16.99.00.10
altern.	1	686034	head rest model 4, 300x150 curved complete		68.60.19.99.00.10
altern.	1	686035	head rest model 5. 230x120 , 4-curved complete		68.60.20.99.00.10
altern.	1	686036	head rest model 5, 20x140 , 4-curved complete		68.60.21.99.00.10
2	1				
3	1		plugs for square tubes, black 15x15		04.63.11.15.00.10
4	3		lens head screw with hexagon socket ISO 7380 - M5x20		01.42.07.94.65.00
5	3		spring ring DIN 127 - A 5		02.85.30.50.05.10
6-8	1	68600801			68.60.08.99.01.00
o.B.	1	68600802			68.60.08.99.02.00
7	2		plugs for square tubes, black 15x15		04.63.11.15.00.10
8	1	403110	clamp lever adjustable M6x20, black		04.13.10.60.20.50
10-14	1	68600804			68.60.08.04.00.00
11	1	403110	clamp lever adjustable M6x20, black		04.13.10.60.20.50
12	2		washer DIN 125 - A 6,4		02.61.06.41.41.20
13	2		lock washer S6		02.99.10.60.01.10
14	2				

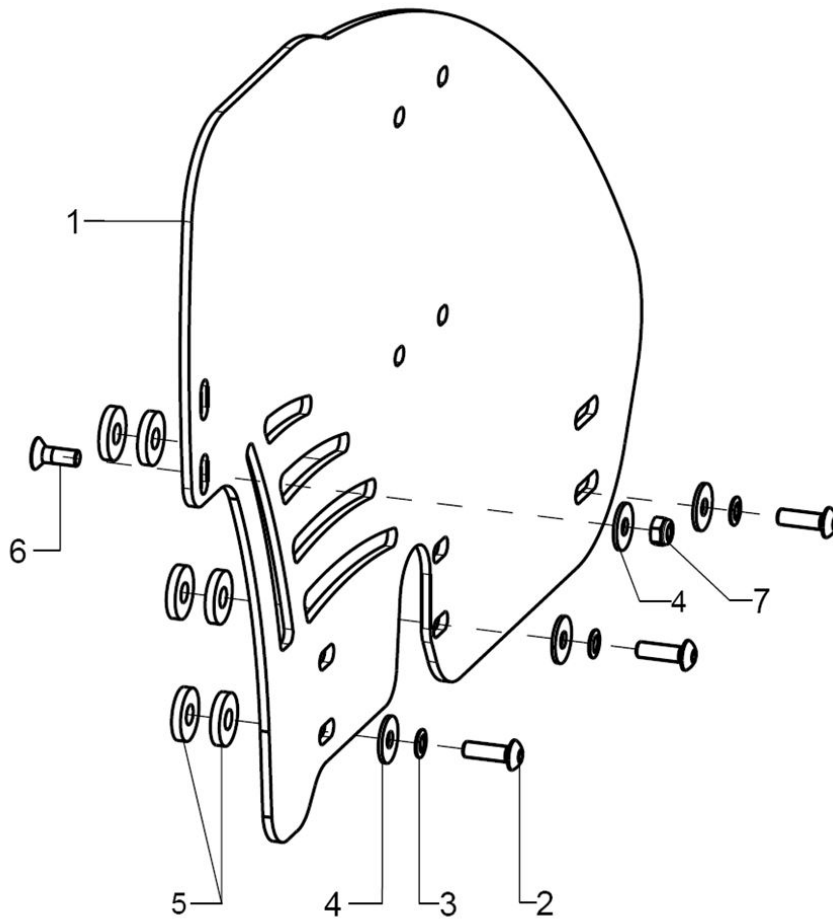


Activity side guards (only for 7° wheel camber)



pcs.	Q/1	item no.	Product name:	Variant:	drawing no.
1-16	1	500104	active side guard complete right		XX.XX.XX.XX.XX.XX
o.B.	1	500103	active side guard complete left		XX.XX.XX.XX.XX.XX
1	1+3	50012202	active side guard - right, 22"		50.01.02.05.02.71
o.B.	1+3	50012201	active side guard - left, 22"		50.01.02.05.01.71
altern.	1+3	50012402	active side guard - right, 24"		50.01.02.06.02.71
o.B.	1+3	50012401	active side guard - left, 24"		50.01.02.06.01.71
2 + 4-6	1	50220202	wheel cover 22" right		50.22.01.02.02.72
o.B.	1	50220201	wheel cover 22" left		50.22.01.02.01.72
altern.	1	50220302	wheel cover 24" right		50.22.01.03.02.72
o.B.	1	50220301	wheel cover 24" left		50.22.01.03.01.72
3	1		washer DIN 125 - B 19		02.61.19.02.72.20
4	3		lens head screw with hexagon socket M5x20		01.43.07.92.05.00
5	3		washer DIN 9021 - M5		02.79.05.31.20.20
6	3		hexagon nut self-locking low form DIN 985 - M5		02.32.00.50.01.20
7a-16	1	50010204	holder for active side guard complete long frame		50.01.02.04.00.71
7b-16	1	50010207	holder for activity side guard incl. mounting set		50.01.02.07.00.71
8	4		washer D 25/d=6,2x3		28.00.21.01.00.10
9	2		saddle washer black ø 24/6		04.63.39.24.06.30
10	2		lens head screw with hexagon socket M6x16		01.43.08.52.65.00
11	1				
12	1				
13	1		saddle washer Ø12/6x2,5		35.04.16.01.00.10
14	3		washer DIN 125 - A 6,4		02.61.06.41.41.20
15	3		hexagon nut self-locking low form DIN 985 - M6		02.32.00.60.01.20
16	2				
o.B.	1				
o.B.	1		lens head screw with hexagon socket M6x45		01.43.08.61.05.00

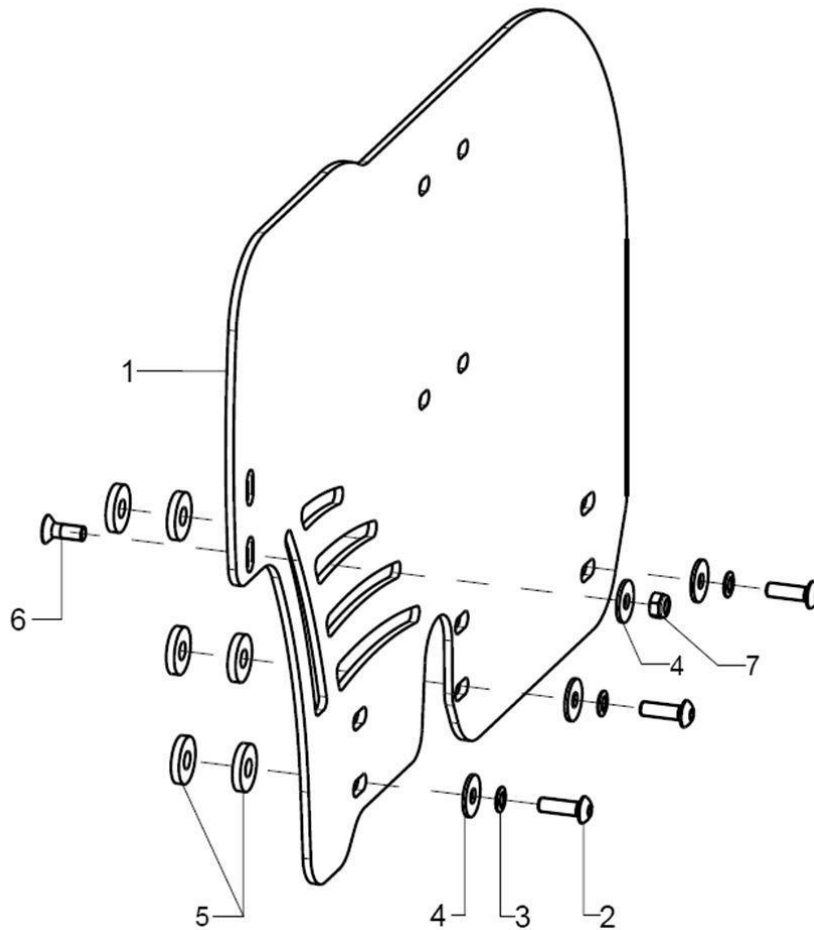
Standard side guards



pcs.	Q/1	item no.	Product name:	Variant:	drawing no.
1	2	452300	side guard standard short		45.23.01.00.00.71
altern.	2	452401	side guard standard middle		45.24.01.00.00.71
altern.	2	452402	side guard standard long		45.24.02.00.00.71
2-6	1	453899	mounting set side guard XXL or standard		XX.XX.XX.XX.XX.XX
2	3		lens head screw with hexagon socket M5x20		01.43.07.92.05.00
3	3		lock washer S5		02.99.10.50.01.10
4	4		washer DIN 9021 - M5		02.79.05.31.20.20
5	6		washer DIN 7349 - 6,4		02.77.06.53.00.20
6	1		counter sunk screw with hexagon socket DIN 7991 M5x14		01.65.07.90.05.00
7	1		hexagon nut self-locking low form DIN 985 - M5		02.32.00.50.01.20

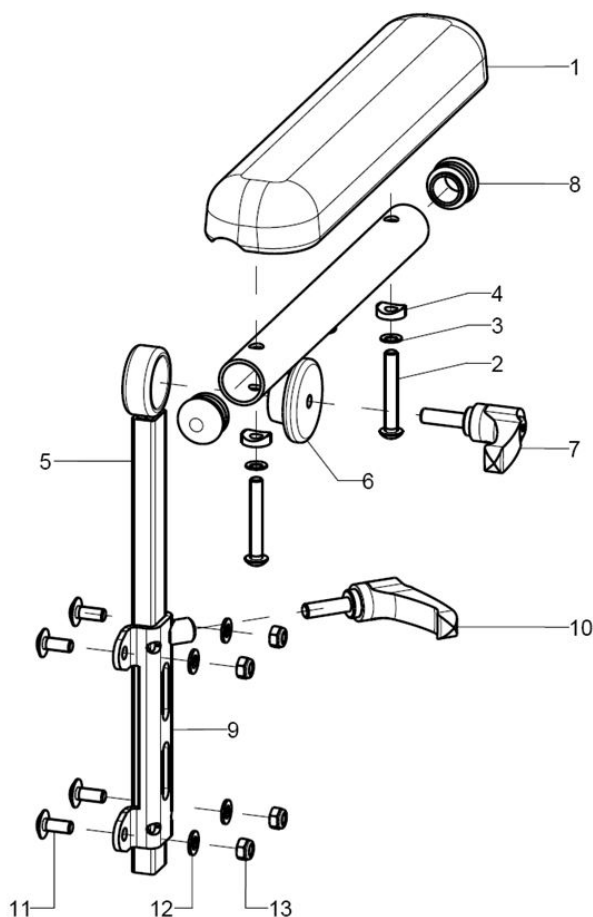


XXL side guards (only for 3° wheel camber)



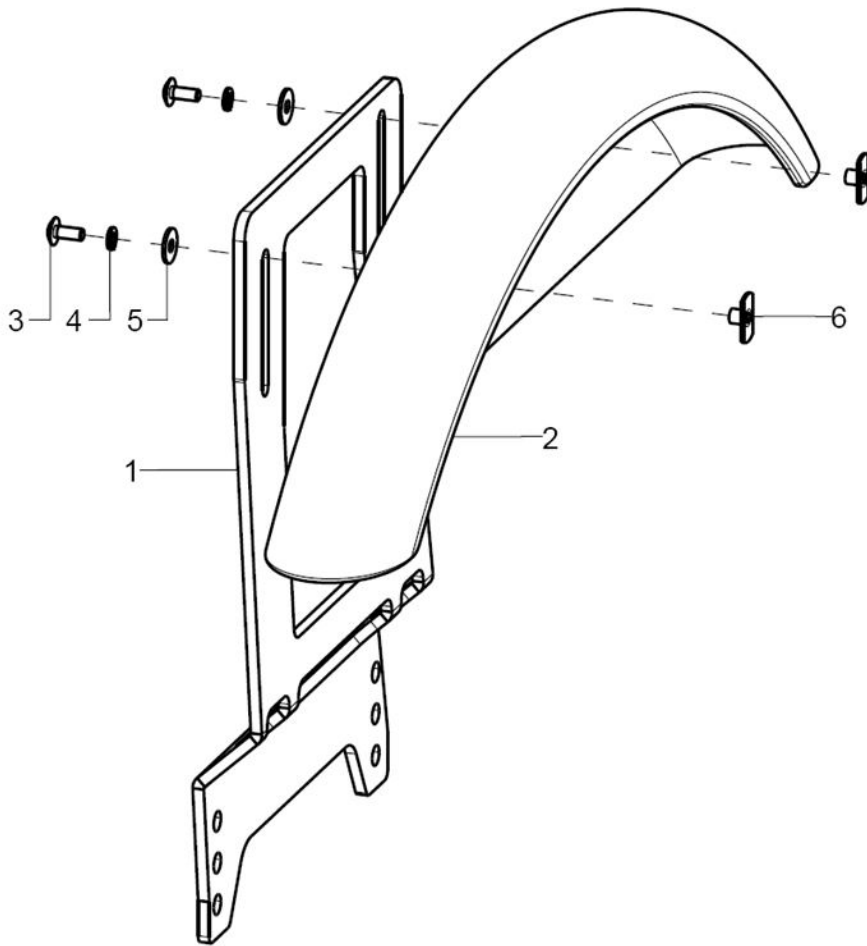
pcs.	Q/1	item no.	Product name:	Variant:	drawing no.
1	2	453801	side guard XXL		45.38.01.00.00.71
2-6	1	453899	mounting set side guard XXL or standard		XX.XX.XX.XX.XX.XX
2	3		lens head screw with hexagon socket ISO 7380 - M5x16		01.42.07.92.65.00
3	3		lock washer S5		02.99.10.50.01.10
4	4		washer DIN 9021 - M5		02.79.05.31.20.20
5	6		washer DIN 7349 - 6,4		02.77.06.53.00.20
6	1		counter sunk screw with hexogon socket DIN 7991 M5x14		01.65.07.90.05.00
7	1		hexagon nut self-locking low form DIN 985 - M5		02.32.00.50.01.20

Arm rest 24cm, adjustable in angle



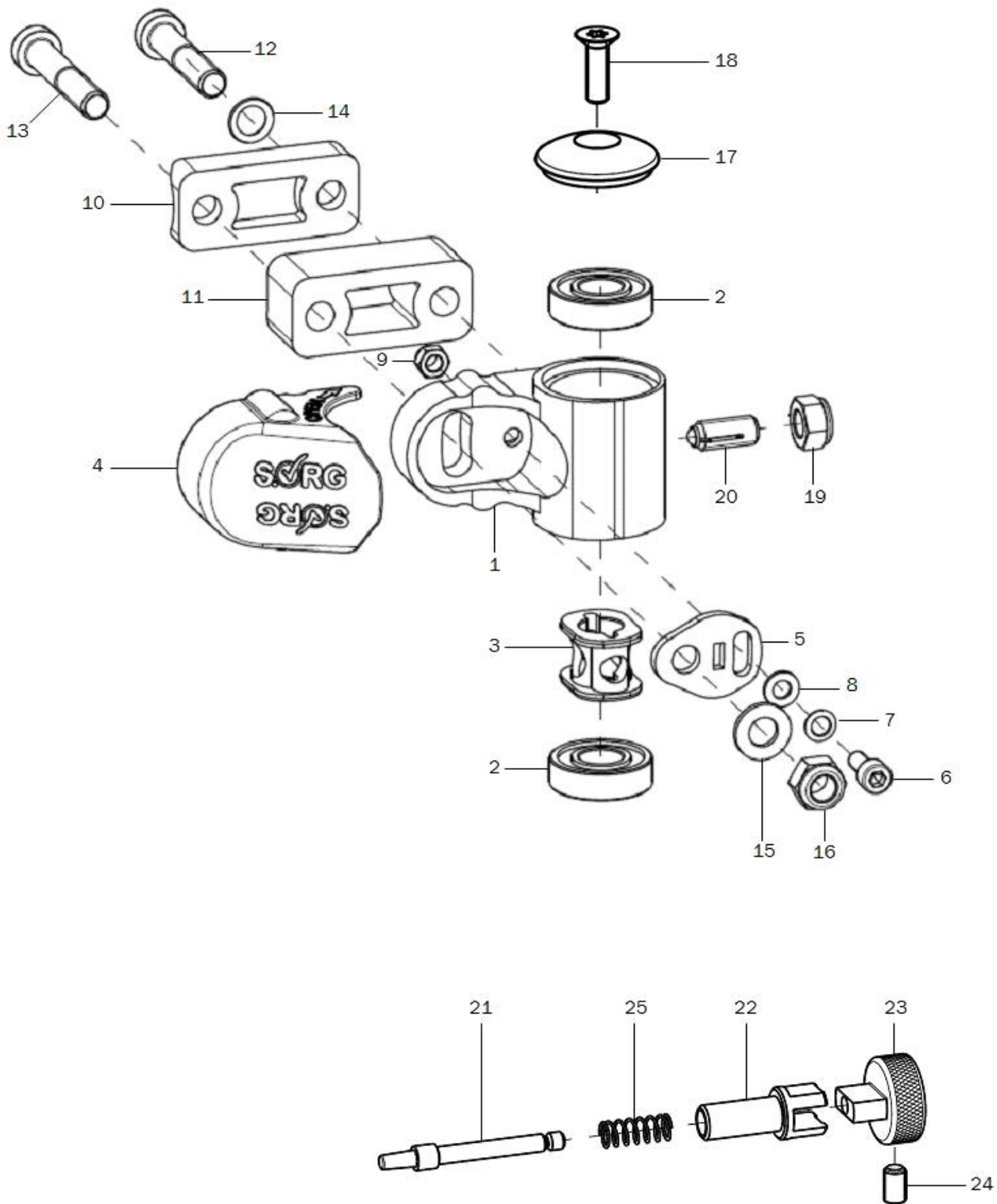
pcs.	Q/1	item no.	Product name:	Variant:	drawing no.
1-8	1	452203	arm rest 24 cm long, complete angle adjustable		XX.XX.XX.XX.XX.XX
1-4	1	450007	arm rest, straight black 240x50x26, 2xM5x164		04.65.01.24.00.10
2	2		lens head screw with hexagon socket ISO 7380 - M5x35		01.42.07.99.65.00
3	2		lock washer S5		02.99.10.50.01.10
4	2				40.04.16.01.00.10
5-8	1	45220304	arm pad holder complete, right		
	o.B.	45220303	arm pad holder complete, left		
5	1	451511	arm rest support		45.15.11.01.00.24
6-8	1	45151202	arm rest tube right		45.15.12.01.02.24
	o.B.	45151201	arm rest tube left		45.15.12.01.01.24
7	1	403110	clamp lever adjustable M6x20, black		04.13.10.60.20.50
8	2		plugs for tube ø20x1-2, black		04.63.10.20.00.10
9-13	1	45220302	arm rest adapter right, incl. mounting set		45.22.03.02.02.71
	o.B.	45220301	arm rest adapter left, incl. mounting set		45.22.03.02.01.71
10	1	403110	clamp lever adjustable M6x20, black		04.13.10.60.20.50
11	4		lens head screw with hexagon socket M5x12		01.43.07.89.65.00
12	4		washer DIN 125 - A 5,3		02.61.05.31.01.20
13	4		hexagon nut self-locking low form DIN 985 - M5		02.32.00.50.01.20

Wheel cover (only for 3° wheel camber)



pcs.	Q/1	item no.	Product name:	Variant:	drawing no.
1-6	1	5201	synthetic wheelcover		52.01.71.01.00.71
1	1	50010202	wheel cover holder right for synthetic wheel cover for Vario incl. mounting set		50.01.02.02.02.71
o.B.	1	50010201	wheel cover holder left for synthetic wheel cover for Vario incl. mounting set		50.01.02.02.01.71
2-6	1	520002	wheel cover large incl. mounting set		52.04.01.00.00.10
3	2		lens head screw with hexagon socket M4x10		01.43.07.28.65.00
4	2		spring ring DIN 127 - A 4		02.85.04.02.51.20
5	2		washer DIN 9021 - M4		02.79.04.31.00.20
6	2				

Caster wheel adapter Aluminium



pcs.	Q/1	item no.	Product name:	Variant:	drawing no.
1-9	2	280506	caster adapter track fixation		XXXXXXXXXXXX
o.B.	2	280500	steering adapter aluminum complete		28.05.01.00.00.00
1	1	280501	steering adapter aluminum		28.05.01.02.00.00
altern.	1	280507	caster adapter track fixation		28.05.01.01.00.00
2	2	200011	groove ball bearing ø28/12 6001z		04.32.12.08.00.10
3	1	280504	damper element		28.05.01.04.00.00
4	1	280030	cover cap		28.00.10.03.00.10
5	1	280503	eccentric disc		28.05.01.03.00.00
6	1		cylinder screw DIN 912 M5x12		01.22.07.89.72.40
7	1		lock washer S5		02.99.10.50.01.10

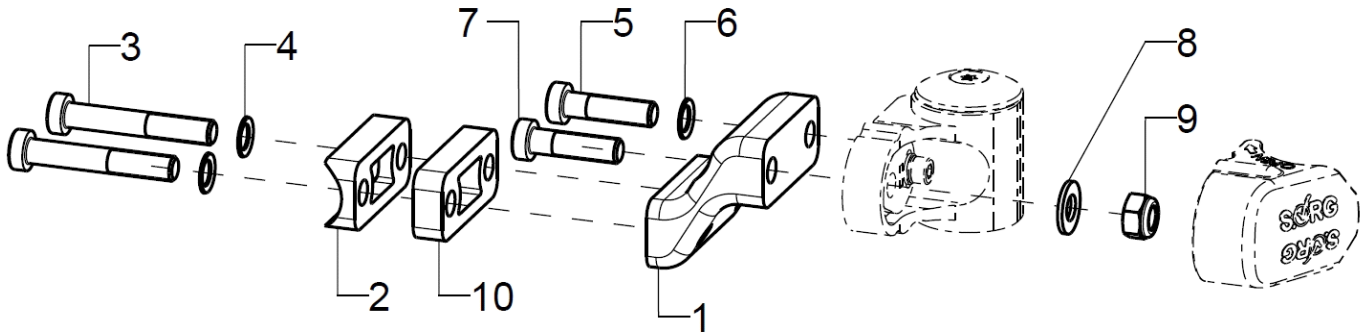


8	1		washer DIN 125 - A 5,3	02.61.05.31.01.20
9	1		hexagon nut self-locking low form DIN 985 - M5	02.32.00.50.01.20
10+12-16	2	280510	mounting set caster adapter aluminum	28.05.10.90.01.00
10-16	2	280511	mounting set caster adapter aluminum 20mm	28.05.10.90.02.00
10-16	2	280512	mounting set caster adapter aluminum 40mm	28.05.10.90.03.00
10+12-16	2	280550	change set caster adapter	
10-16	2	280551	change set caster adapter 20mm	
10-16	2	280552	change set caster adapter 40mm	
10	1	280502	half shell LRAD R12	28.05.02.01.00.00
11	1	280513	track extention 20mm	28.05.02.03.00.00
altern.	1	280514	track extention 40mm	28.05.02.04.00.00
12	1		cylinder screw low head DIN 7984 - M8x40	01.24.09.80.62.40
altern.	1		cylinder screw low head DIN 7984 - M8x60	01.24.09.84.02.40
altern.	1		cylinder screw low head DIN 7984 - M8x80	01.24.09.88.62.40
altern.	1			
altern.	1			
altern.	1			
13	1		cylinder screw low head DIN 7984 - M8x45	01.24.09.81.62.40
altern.	1		cylinder screw low head DIN 7984 - M8x65	01.24.09.85.62.40
altern.	1		cylinder screw low head DIN 7984 - M8x85	01.24.09.89.62.40
altern.	1			
altern.	1			
altern.	1			
14	1		lock washer S8	02.99.10.80.01.10
15	1		washer DIN 125 - A 8,4	02.61.08.41.41.20
16	1		hexagon nut self-locking low form DIN 985 - M8	02.32.00.80.01.20
17-18	1	282107	cap 35x10 black anodized incl. mounting screw	28.21.07.01.00.10
18	1		counter sunk screw with Torx ISO 14581 M6x20 vz, black	01.66.08.54.92.21
19	1		hexagon nut self-locking low form DIN 985 - M8	02.32.00.80.01.20
20	2	285103	spring pressure piece M8 complete	04.14.50.80.21.20
21-25	1	285003	track fixation complete	XXXXXXXXXXXX
21	1			28.50.01.01.00.10
22	1			28.50.01.02.00.10
23	1			28.50.01.03.00.10
24	1		setscrew with hexagon socket DIN 913,M5x8	01.67.07.87.61.20
25	1		pressure spring 0,55x5,5x23,7	04.21.05.52.37.10

Achtung: Bei der Umrüstung von Kunststoff auf Aluminium-Lenkradadapter bitte paarweise bestellen.

Wenn eine Lenk- und Schiebehilfe oder Rückhalteösen am Rollstuhl angebaut sind, bitte bei Bestellungen von Ersatzteilen angeben.

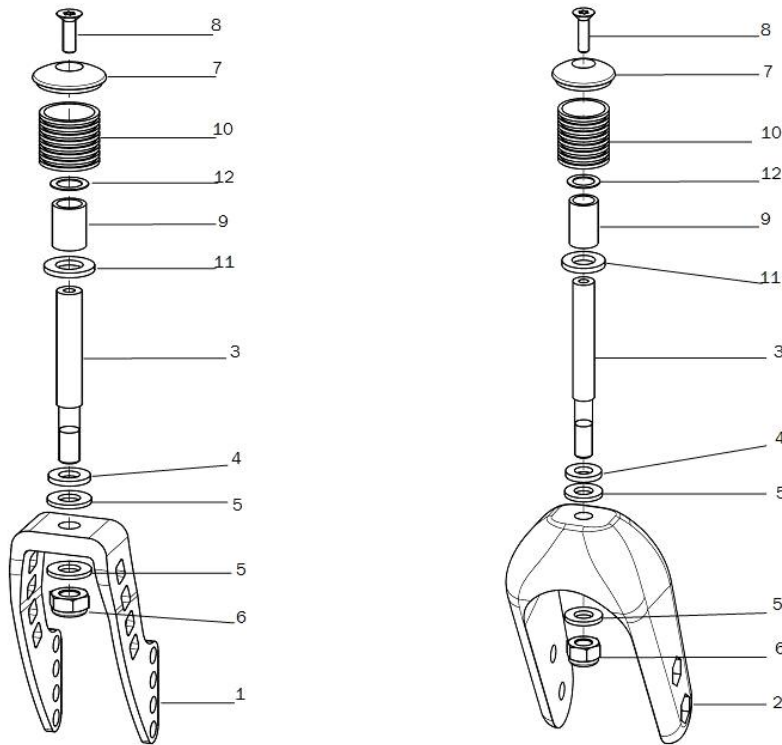
Adapter for low seat heights



pcs.	Q/1	item no.	Product name:	Variant:	drawing no.
1	2	280525			28.05.03.01.00.00
altern.	2	280526			28.05.03.02.00.00
2-8	2	280527			
2	1	280502	half shell LRAD R12		28.05.02.01.00.00
3	2		cylinder screw low head DIN 7984 - M8x40		01.24.09.80.62.40
altern.	2				01.24.09.82.62.40
4	2		lock washer S8		02.99.10.80.01.10
5	1				01.24.09.78.62.40
6	1		lock washer S8		02.99.10.80.01.10
7	1				01.24.09.79.62.40
8	1		washer DIN 125 - A 8,4		02.61.08.41.41.20
9	1		hexagon nut self-locking low form DIN 985 - M8		02.32.00.80.01.20
10	1	280515			28.05.02.05.00.00

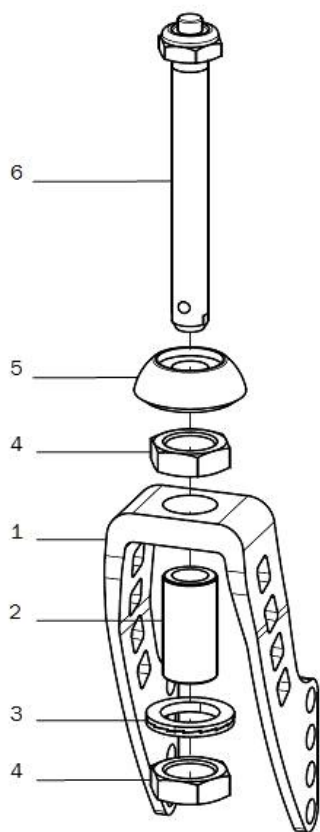
(optional)

Caster wheel fork



pcs.	Q/1	item no.	Product name:	Variant:	drawing no.
1	2	2841	caster fork aluminum 164x45		28.41.01.00.00.10
o.B.	2	2842	caster fork aluminum 126x45		28.42.01.00.00.10
o.B.	2	2843	caster fork aluminum 100x45		28.43.01.00.00.10
2	2	2823	caster fork large, pu 60x130		04.52.59.60.90.23
o.B.	2	2822	caster fork small, pu 32x120		04.52.59.32.90.23
3	2	282104	steering axle $\varnothing$ 12x65, 1		28.21.05.01.00.10
o.B.	2	285101	steering axle 65 for track fixation		28.50.00.03.00.10
o.B.	2	285001	steering axle 65 for locking		28.50.00.01.00.10
o.B.	2	282105	steering axle 90, $\varnothing$ 12x89, 8		28.21.05.02.00.10
o.B.	2	285102	steering axle 90 for track fixation		28.50.00.04.00.10
o.B.	2	285002	steering axle 90 for locking		28.50.00.02.00.10
4-6	2	282120	mounting set caster axle on caster fork aluminum (washers, hexagon nut)		28.21.20.01.01.00
4	1		washer DIN 1440 -10x20x2,5		02.71.10.02.50.20
5	2		washer DIN 1440 -10x20x2,5		02.71.10.02.50.20
6	1		hexagon nut self-locking low form DIN 985 - M10		02.32.01.00.01.20
7-8	2	282107	cap 35x10 black anodized incl. mounting screw		28.21.07.01.00.10
o.B.	2	270005	cap Rd 32x10		28.21.07.02.00.10
8	2		counter sunk screw with Torx ISO 14581 M6x20 vz, black		01.66.08.54.92.21
9-12	2	282123	mounting set caster axle 90mm		XXXXXXXXXXXX
9	1				19.22.03.08.00.47
10	1				
11	1		washer DIN 125 - B 13		02.61.13.02.32.20
12	1		fitted washer DIN 988 - 12x18x0,5		02.68.12.00.50.30

Caster wheel fork with quick-release axle



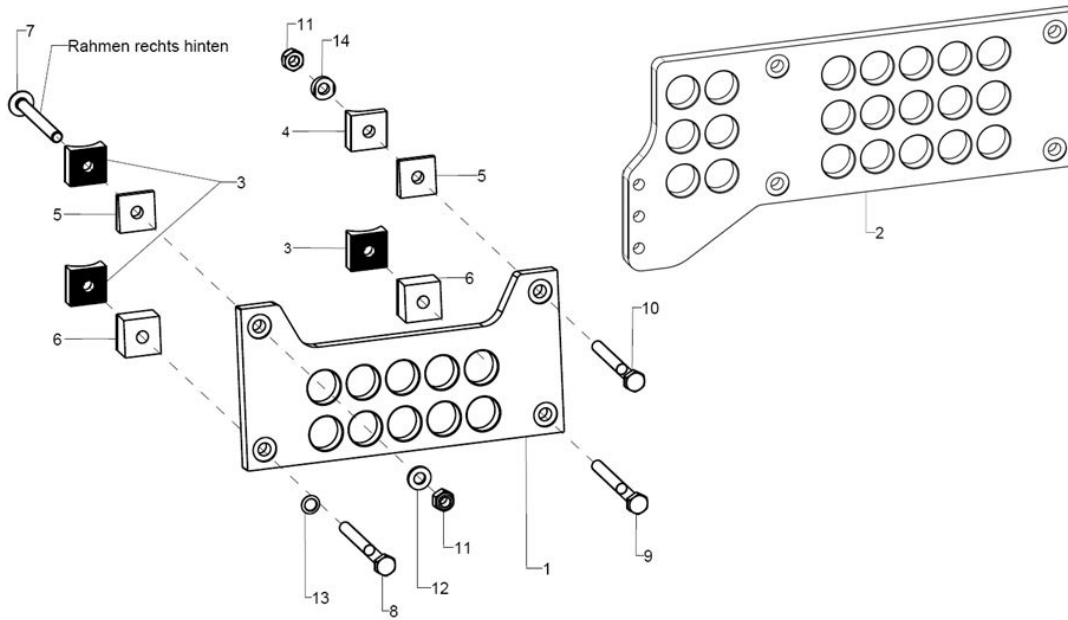
pcs.	Q/1	item no.	Product name:	Variant:	drawing no.
1	2	272114	caster fork 164x45 for quick-release axle		27.21.01.14.00.10
o.B.	2	272113	caster fork 126x45 for quick-release axle		27.21.01.13.00.10
o.B.	2	272112	caster fork 100x45 for quick-release axle		27.21.01.12.00.10
2	2	272102	adapter M18x1 D12 35mm		27.21.01.02.00.10
3-4	2	272104	mounting set adapter		XXXXXXXXXXXX
3	1		lock washer M18 (Nord-Lock)		02.99.21.95.01.10
4	2		hexagon nut M18x1		02.19.01.30.11.21
5	1	272101	cap 27x16,5 aluminum, black anodized		27.21.01.01.00.10
6	1	272103	quick-release axle 12x85		04.51.51.21.40.30



## Caster wheels

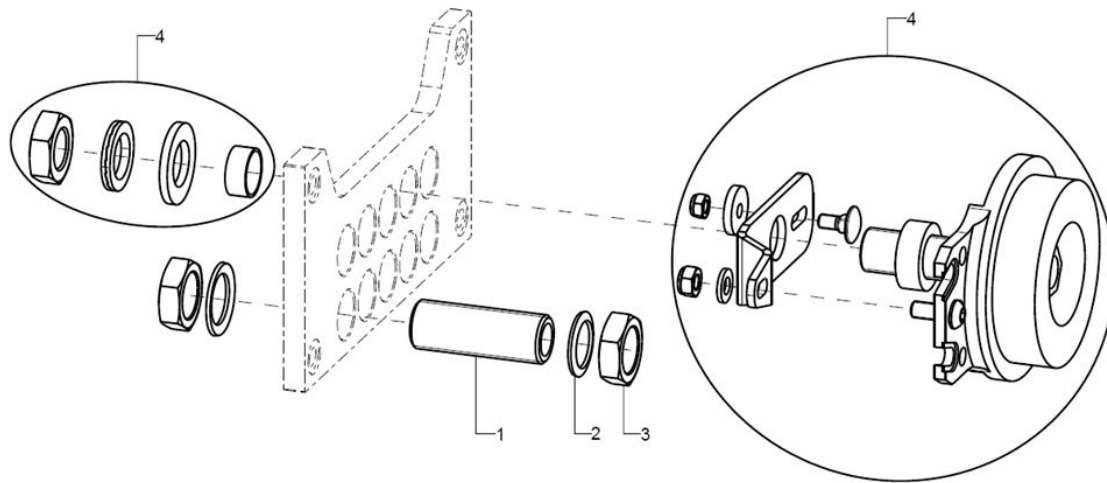
pcs.	Q/1	item no.	Product name:	Variant:	drawing no.
o.B.	2	2812	caster 4", PU		
o.B.	2	2804	steering wheel 4 solid rubber		
o.B.	2	2820	caster 4" PU with LED		
o.B.	2	2835	caster 4" solid rubber black with aluminum rim		04.52.41.04.00.31
o.B.	2	2805	caster 5" PU		
o.B.	2	2809	caster 5" soft solid rubber		
o.B.	2	2834	caster 5" PU, transparent with LED		
o.B.	2	2836	caster 5" solid rubber black with aluminum rim		04.52.41.05.00.61
o.B.	2	2806	caster 140 mm soft, hub width 46		
o.B.	2	2803	caster 6" PU		
o.B.	2	2811	caster 6" solid rubber		
o.B.	2	2808	caster 6" pneumatic wheels		
o.B.	2	2838			04.52.41.06.00.70
o.B.	2	289998			

**Axle plate for Rear wheels**



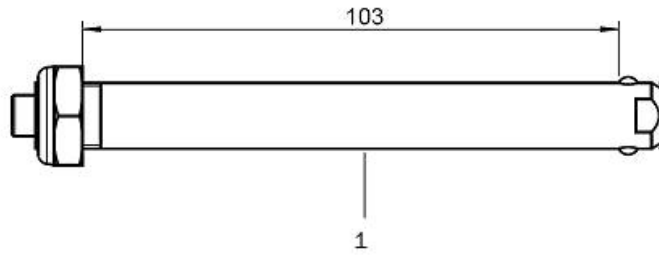
pcs.	Q/1	item no.	Product name:	Variant:	drawing no.
1+3-14	2	207101	axle plate with 3° camber		
1+3-14	2	207102	axle plate with 7° camber		
2-14	1	207110	axle plate for driving wheels with 3° camber right		
o.B.	1	207111	axle plate for driving wheels with 3° camber left		
2-13	1	207112	axle plate for driving wheels with 7° camber right		
o.B.	1	207113	axle plate for driving wheels with 7° camber left		
1	1	20710101	axle plate for driving wheel		20.71.01.04.00.71
2	1	20710502	axle plate with RSV right		
o.B.	1	20710501	axle plate with RSV left		
3	3				76.01.03.01.00.10
4	1	207108	half shell 20x20x8,5		20.71.01.08.00.71
5	2	207105	upper camber wedge 3°		20.71.01.05.00.71
o.B.	2	207107	upper camber wedge 7°		20.71.01.07.00.71
6	2	207109	lower camber wedge 3°		20.71.01.09.00.71
o.B.	2	207106	lower camber wedge 7°		20.71.01.06.00.71
5-14	1	20710201	mounting set axle plate 3° camber		
5-14	1	20710202	mounting set axle plate 7° camber		
7	1		lens head screw with hexagon socket M6x55		01.43.08.63.65.00
altern.	1		hexagon screw DIN 933 - M6x55		01.03.08.63.02.40
8	1		hexagon screw DIN 933 - M6x60		01.03.08.64.02.40
9	1		hexagon screw DIN 933 - M6x60		01.03.08.64.02.40
10	1		hexagon screw DIN 933 - M6x55		01.03.08.63.02.40
11	1		hexagon nut self-locking low form DIN 985 - M6		02.32.00.60.01.20
12	1		washer DIN 125 - A 6,4		02.61.06.41.41.20
13	1		lock washer S6		02.99.10.60.01.10
14	4		saddle washer Ø12/6x2,5		35.04.16.01.00.10

Quick-release axle fitting



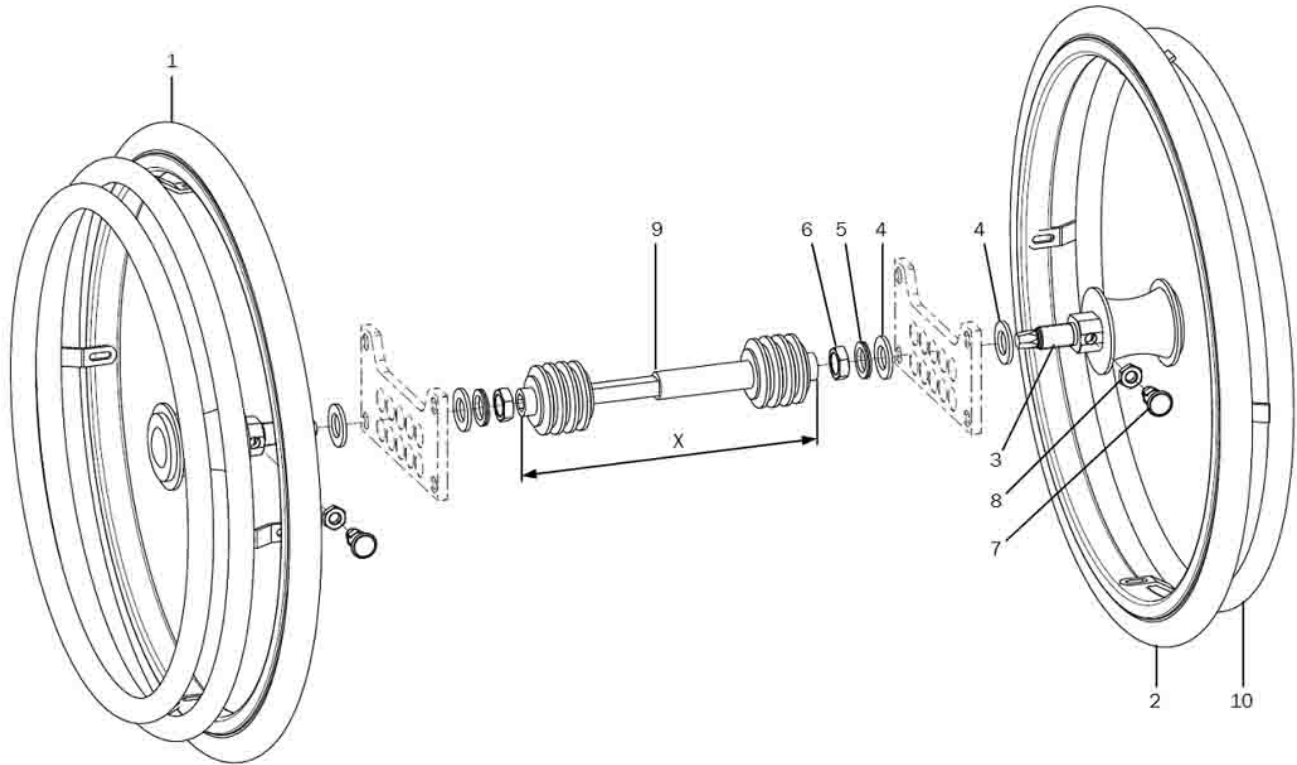
pcs.	Q/1	item no.	Product name:	Variant:	drawing no.
1-3	2	210024	axle adapter M18x1 d12		04.51.51.25.00.31
2	2		lock washer S18		02.99.11.80.01.10
3	2		hexagon nut M18x1		02.19.01.30.11.21
4	2	220005	drum brake body complete, incl. adapter and counter wrench		22.00.01.99.00.10
o.B.	2	220013	drum brake anchor pre-assembled		

Rear wheels



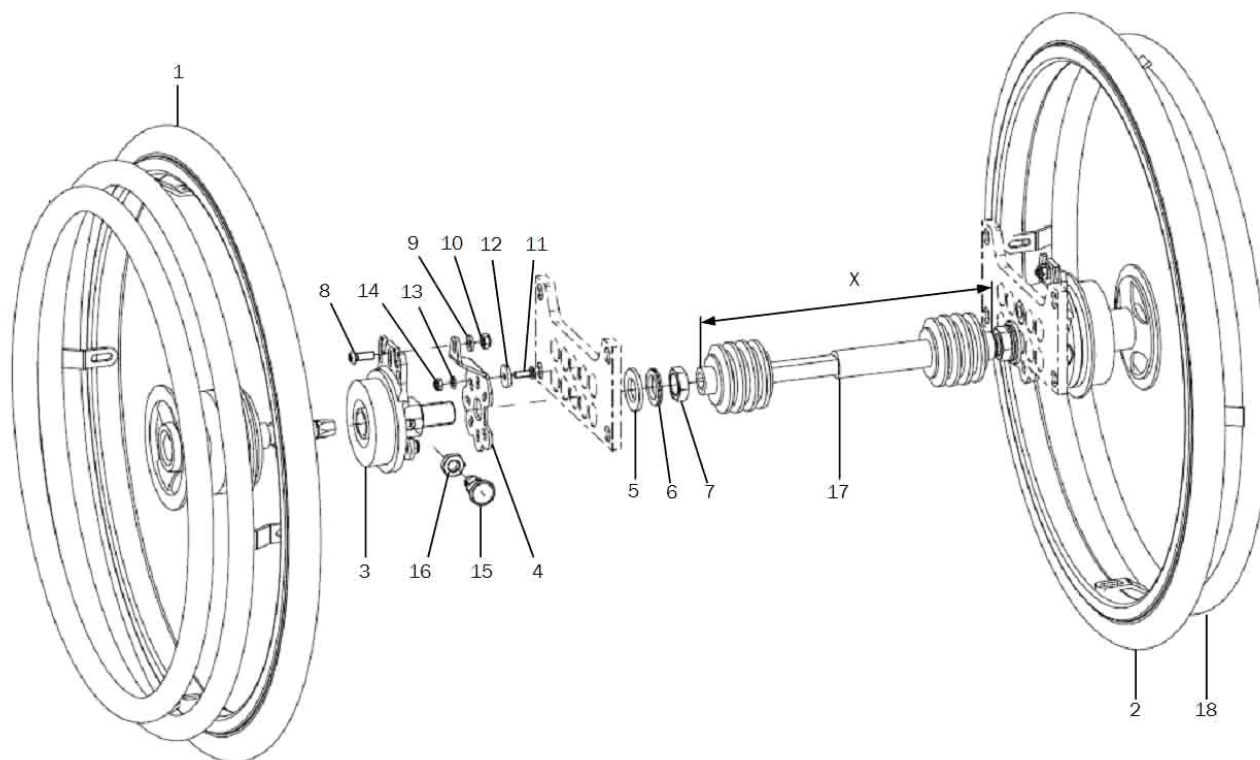
pcs.	Q/1	item no.	Product name:	Variant:	drawing no.
o.B.	2	212200	22" driving wheel with standard hub		
o.B.	2	212400	24" driving wheel standard hub		
o.B.	2	222200	22" driving wheel with drum brake		
o.B.	2	222400	24" driving wheel standard with drum brake		
o.B.	2	212240	22" profile wheel with built-in hand rim, standard hub		
o.B.	2	212440	24" profile wheel with built-in hand rim, standard hub		
o.B.	2	222240	22" profile wheel with built-in hand rim with drum brake		
o.B.	2	222440	24" profile wheel with built-in hand rim with drum brake		
o.B.	2	212277	22" lightweight wheel with hand rim, standard		
o.B.	2	212477	24" lightweight wheel with hand rim, standard		
o.B.	2	212281	22" lightweight wheel with drum brake, black		
o.B.	2	212481	24" lightweight wheel with drum brake, black		
1	2	210003	quick-release axle 12,7x103 mm for standard hub from 5/2013 and light weight wheel		04.51.51.21.00.31
o.B.	2	220001	quick-release axle D12x123mm for drum brake		04.51.51.21.20.30
o.B.	2	200011	groove ball bearing $\varnothing 28/12$ 6001z		04.32.12.08.00.10
o.B.	2	210007	groove ball bearing D28/12,7 6001RS		
o.B.	2	210008	groove ball bearing $\varnothing 28,53/12,7$		04.32.13.08.00.10

Double handrim standard



pcs.	Q/1	item no.	Product name:	Variant:	drawing no.
1-9	1	261403	double handrim 22" standard hub incl. drag anchor, brake arm and telescope rod		XXXXXXXXXX
o.B.	1	261405	double handrim 24" standard hub incl. drag anchor, brake arm and telescope rod		XXXXXXXXXX
1+3-9	1	261442	22" double handrim driving wheel standard hub, driving side		XXXXXXXXXX
o.B.	1	261444	24" double handrim driving wheel standard hub, driving side		XXXXXXXXXX
2-8	1	261443	22" double handrim driving wheel standard hub, opposite side		XXXXXXXXXX
	1	261445	24" double handrim driving wheel standard hub, opposite side		XXXXXXXXXX
3-8	1	261429	mounting set DHR drum brake 3-8		XXXXXXXXXX
3	1				
4	1		washer DIN 125 - B 19		02.61.19.02.72.20
5	1		lock washer M18 (Nord-Lock)		02.99.21.95.01.10
6	1		hexagon nut M18x1		02.19.01.30.11.21
7	1		latch ø6/M10x1x31 with lock		04.14.43.60.02.00
8	1		hexagon nut DIN 934 - M10		02.19.01.00.01.20
9	1	2614XX	telescoping tube for double handrim		
10	1	261431	hand rim for other side 22"		XXXXXXXXXX
o.B.	1	261432	hand rim for other side 24"		XXXXXXXXXX

Double handrim drum brake



pcs.	Q/1	item no.	Product name:	Variant:	drawing no.
1-17	1	261404	double handrim 22" drum brake hub incl. drag anchor, brake arm and telescope rod		XXXXXXXXXX
o.B.	1	261406	double handrim 24" drum brake hub incl. drag anchor, brake arm and telescope rod		XXXXXXXXXX
1	1	261452	22" double handrim driving wheel drum brake hub, driving side		XXXXXXXXXX
o.B.	1	261454	24" double handrim driving wheel drum brake hub, driving side		XXXXXXXXXX
2	1	261453	22" double handrim driving wheel drum brake hub, opposite side		XXXXXXXXXX
o.B.	1	261455	24" double handrim driving wheel drum brake hub, opposite side		XXXXXXXXXX
3-16	1	261428	mounting set DHR drum brake		XXXXXXXXXX
3	1				
4	1	220012	holder other side drum brake		22.00.12.01.00.10
5	1		washer DIN 125 - B 19		02.61.19.02.72.20
6	1		lock washer M18 (Nord-Lock)		02.99.21.95.01.10
7	1		hexagon nut M18x1		02.19.01.30.11.21
8	1		lens head screw with hexagon socket ISO 7380 - M6x16		01.42.08.52.65.00
9	1		washer DIN 125 - A 6,4		02.61.06.41.41.20
10	1		hexagon nut self-locking low form DIN 985 - M6		02.32.00.60.01.20
11	1		lens head screw with hexagon socket ISO 7380 - M5x14		01.42.07.90.65.00
12	1				
13	1		washer DIN 125 - A 5,3		02.61.05.31.01.20
14	1		hexagon nut self-locking low form DIN 985 - M5		02.32.00.50.01.20
15	1		latch ø6/M10x1x31 with lock		04.14.43.60.02.00
16	1		hexagon nut DIN 934 - M10		02.19.01.00.01.20
17	1	2614XX	telescoping tube for double handrim		
18	1	261431	hand rim for other side 22"		XXXXXXXXXX
o.B.	1	261432	hand rim for other side 24"		XXXXXXXXXX

**Telescopic rod**

<b>pcs.</b>	<b>Q/1</b>	<b>item no.</b>	<b>Product name:</b>	<b>Variant:</b>	<b>drawing no.</b>
o.B.	1	261412	telescope rod 195 - 235 mm		
o.B.	1	261413	telescope rod 220 - 275 mm		
o.B.	1	261414	telescope rod 255 - 315 mm		
o.B.	1	261415	telescope rod 295 - 370 mm		
o.B.	1	261416	telescope rod 350 - 460 mm		

## Tyres

pcs.	Q/1	item no.	Product name:	Variant:	drawing no.
o.B.	2	202213	tire for pneumatic tube 22x1" Right Run, grey/black		
o.B.	2	202413	tire for pneumatic tube 24x1" Right Run, grey/black		
o.B.	2	202221	tire for pneumatic tube 22x1 3/8" grey		
o.B.	2	202421	tire for pneumatic tube 24x1 3/8" grey		
o.B.	2	202414	tire for pneumatic tube 24x1" Right Run blue/black		
o.B.	2	202415	tire for pneumatic tube 24x1" Right Run red/black		
o.B.	2	232211	puncture proof tires 22x1"		
o.B.	2	232411	puncture proof tires 24x1"		
o.B.	2	232221	puncture proof tires 22x1 3/8"		
o.B.	2	232421	puncture proof tires 24x1 3/8"		
o.B.	2	232012			04.61.22.00.10.11
o.B.	2	232212			04.61.22.20.10.11
o.B.	2	232412			04.61.22.40.10.11
o.B.	2	202212	tire for pneumatic tube 22x1" Marathon plus, black		
o.B.	2	202412	tire for pneumatic tube 24x1" Marathon plus, black		
o.B.	2	200522	tube 22"		
o.B.	2	200524	tube 24"		



**Handrims**

<b>pcs.</b>	<b>Q/1</b>	<b>item no.</b>	<b>Product name:</b>	<b>Variant:</b>	<b>drawing no.</b>
o.B.	2	302201	handrim 22" standard, stainless steel polished		
o.B.	2	302301	handrim 22" high, stainless steel polished		
o.B.	2	302401	handrim 24" standard, stainless steel polished		
o.B.	2	302501	handrim 24" high, stainless steel polished		
o.B.	2	302202	handrim 22" standard, aluminum coated		
o.B.	2	302302	handrim 22" high, aluminum coated		
o.B.	2	302402	handrim 24" standard, aluminum coated		
o.B.	2	302502	handrim 24" high, aluminum coated		
o.B.	2	3422	Maxgrepp-handrim 22", 4 loops complete		
o.B.	2	3424	Maxgrepp-handrim 24", 4 loops complete		
o.B.	2	3122	hand rim, stainless steel 22", 8 knobs		
o.B.	2	3124	hand rim, stainless steel 24", 8 knobs		
o.B.	2	3322	hand rim aluminium, 22", black, pvc coating		
o.B.	2	3324	hand rim aluminium, 24", black, pvc coating		
o.B.	2	342405	handrim SURGE 24", 6 lugs		
o.B.	2	302078			
o.B.	2	302278			
o.B.	2	302478			

**Handrim covers**

<b>pcs.</b>	<b>Q/1</b>	<b>item no.</b>	<b>Product name:</b>	<b>Variant:</b>	<b>drawing no.</b>
o.B.	2	322002	handrim cover silicone black ø442		04.67.06.20.00.40
o.B.	2	322202	handrim cover silicone black ø478		04.67.06.22.00.30
o.B.	2	322205	handrim cover silicone black ø453		04.67.06.22.00.20
o.B.	2	322208	handrim cover silicone black ø388		04.67.06.22.00.10
o.B.	2	322402	handrim cover silicone black ø532		04.67.06.24.00.30
o.B.	2	322404	handrim cover silicone black ø504		04.67.06.24.00.10
o.B.	2	322405	handrim cover silicone black ø514		04.67.06.24.00.20
o.B.	2	322603	handrim cover silicone black ø565		04.67.06.24.00.40
o.B.	2	322201	handrim cover profile wheel, Ergo 22"		
o.B.	2	322401	handrim cover profile wheel, Ergo 24"		

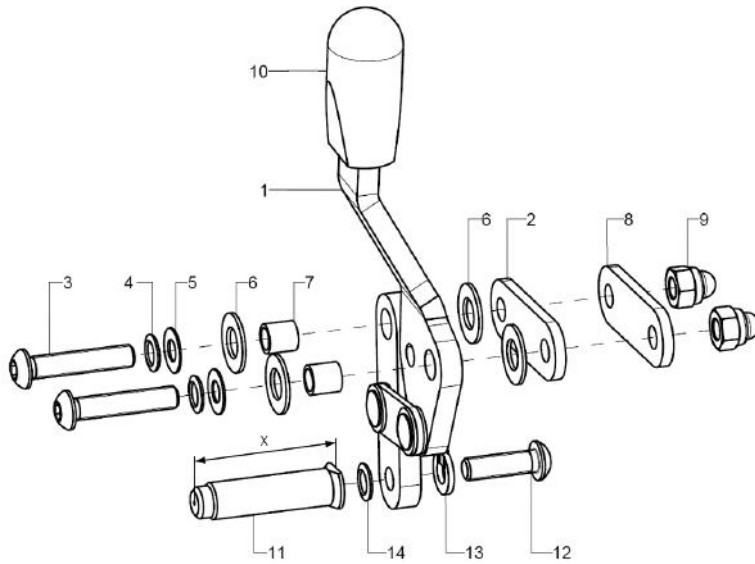
**Spoke covers**

pcs.	Q/1	item no.	Product name:	Variant:	drawing no.
o.B.	1	250001	clip for transparent spoke cover		25.00.99.01.00.10
o.B.	2	252200	spoke cover 22", Unicolor transparent		
o.B.	2	252400	spoke cover 24", Unicolor transparent		

**Design-Dekor-Speichenschützer können Sie unter den folgenden Internetadressen wählen:**

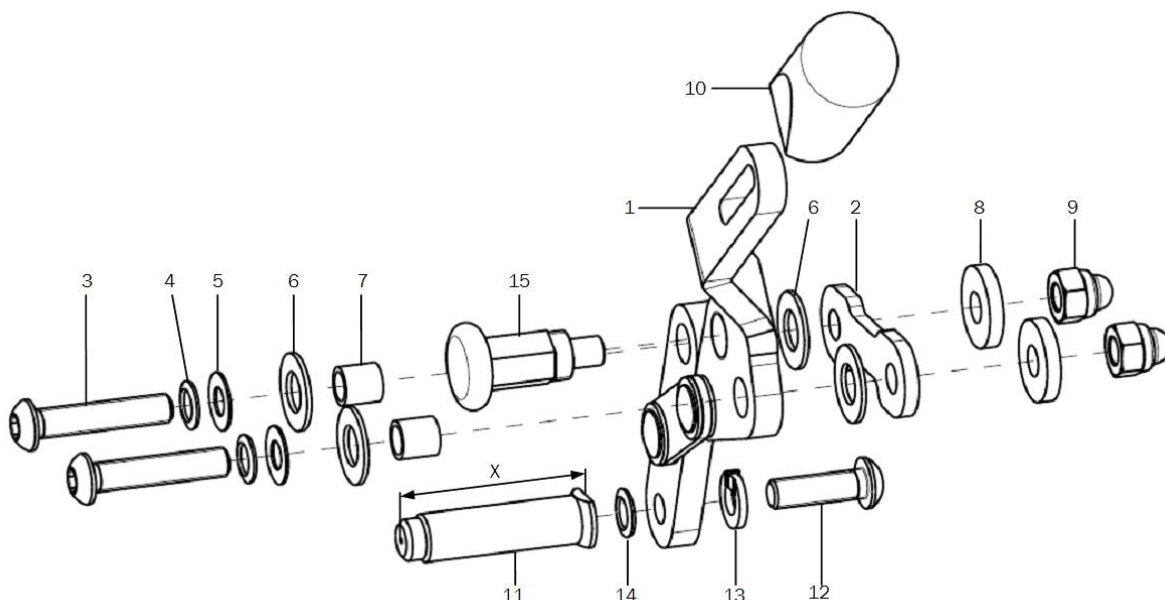
[www.blueprince.de](http://www.blueprince.de)  
[www.speichen-schutz.de](http://www.speichen-schutz.de)  
[www.wheelchairgadgets.com](http://www.wheelchairgadgets.com)

**Knee lever brake Standard**



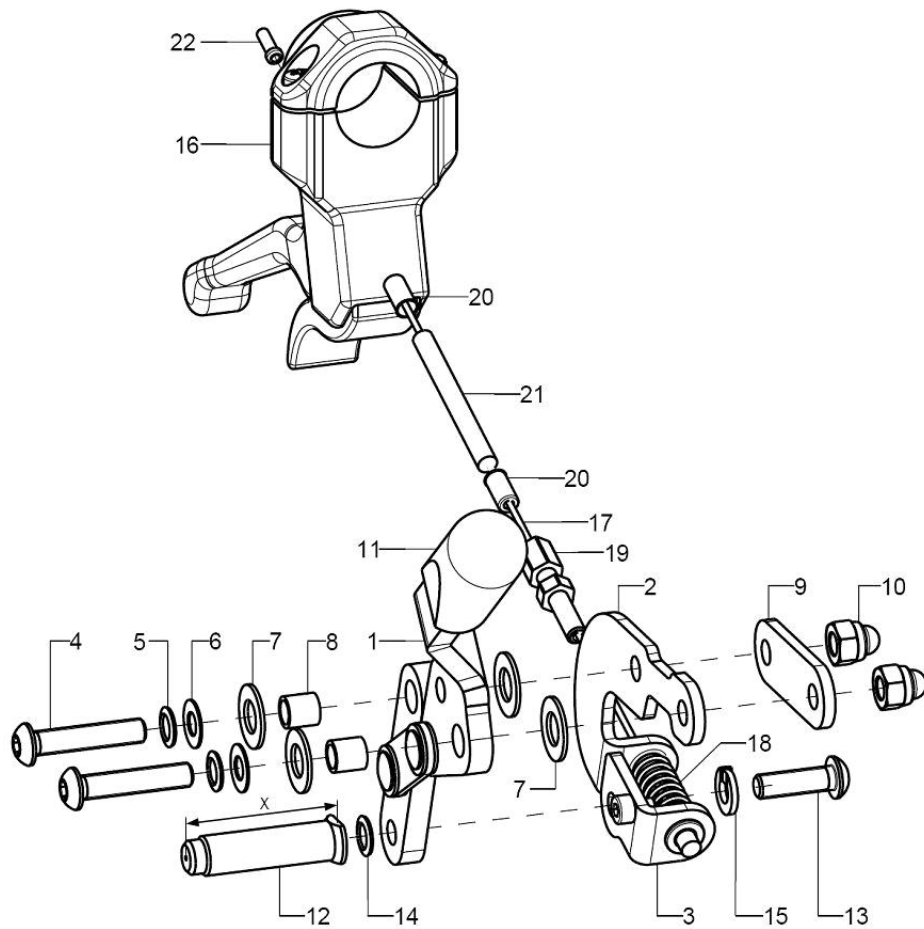
pcs.	Q/1	item no.	Product name:	Variant:	drawing no.
1-11	1	352502	knee lever brake standard right complete		XXXXXXXXXXXX
1-11	1	352501	knee lever brake standard left complete		XXXXXXXXXXXX
1	1	352504	brake pad standard pre-mounted right		35.25.01.02.02.10
o.B.	1	352503	brake pad standard pre-mounted left		35.25.01.02.01.10
2	2	352505	bracket 34 Bd 16x3x50		35.25.01.07.00.18
3-9	2	352508	mounting set knee lever brake		XXXXXXXXXXXX
3	2		lens head screw with hexagon socket ISO 7380 - M6x30		01.42.08.58.65.00
4	2		lock washer S6		02.99.10.60.01.10
5	2		fitted washer DIN 988 - 6x12x0,5 - A2		02.68.06.00.50.30
6	4		fender disc 8,4x16x1 PE		02.81.16.00.10.70
7	2				35.00.18.01.00.30
8	2	352505	bracket 34 Bd 16x3x50		35.25.01.07.00.18
9	2		hexagon cap nut low form with clamp DIN 986 - M6		02.33.00.60.11.20
10	2	350017	cap black 15x6,8		35.00.17.01.00.10
11-14	1	352518	brake bolt 40 mm left-hand thread incl. mounting set		35.25.01.18.00.10
o.B.	1	352506	brake bolt milled 40 mm incl. mounting set		35.25.01.15.00.10
altern.	1	352519	brake bolt 50 mm left-hand thread incl. mounting set		35.25.01.19.00.10
o.B.	1	352507	brake bolt milled 50 mm incl. mounting set		35.25.01.16.00.10
12	1		lens head screw with hexagon socket ISO 7380 , M6x20 left-hand thread		01.42.08.54.05.01
o.B.	1		lens head screw with hexagon socket ISO 7380 - M6x20		01.42.08.54.05.00
13	1		spring ring DIN 127- A6		02.85.30.60.05.10
14	1		lock washer S6		02.99.10.60.01.10

**Knee lever brake, lockable**



pcs.	Q/1	item no.	Product name:	Variant:	drawing no.
1-15	1	351302	knee lever brake lockable complete right		XXXXXXXXXXXX
o.B.	1	351301	knee lever brake lockable complete left		XXXXXXXXXXXX
1	1	351304	brake pad lockable pre-assembled right		35.25.01.03.02.10
o.B.	1	351303	brake pad lockable pre-assembled left		35.25.01.03.01.10
2	2	352510	bracket 34, Bd 16x3x50 lockable		35.25.01.08.00.10
3-9	2	352508	mounting set knee lever brake		XXXXXXXXXXXX
3	2		lens head screw with hexagon socket ISO 7380 - M6x30		01.42.08.58.65.00
4	2		lock washer S6		02.99.10.60.01.10
5	2		fitted washer DIN 988 - 6x12x0,5 - A2		02.68.06.00.50.30
6	4		fender disc 8,4x16x1 PE		02.81.16.00.10.70
7	2				35.00.18.01.00.30
8	1	352505	bracket 34 Bd 16x3x50		35.25.01.07.00.18
9	2		hexagon cap nut low form with clamp DIN 986 - M6		02.33.00.60.11.20
10	2	350017	cap black 15x6,8		35.00.17.01.00.10
11-14	1	352518	brake bolt 40 mm left-hand thread incl. mounting set		35.25.01.18.00.10
o.B.	1	352506	brake bolt milled 40 mm incl. mounting set		35.25.01.15.00.10
altern.	1	352519	brake bolt 50 mm left-hand thread incl. mounting set		35.25.01.19.00.10
o.B.	1	352507	brake bolt milled 50 mm incl. mounting set		35.25.01.16.00.10
12	1		lens head screw with hexagon socket ISO 7380 , M6x20 left-hand thread		01.42.08.54.05.01
o.B.	1		lens head screw with hexagon socket ISO 7380 - M6x20		01.42.08.54.05.00
13	1		spring ring DIN 127- A6		02.85.30.60.05.10
14	1		lock washer S6		02.99.10.60.01.10
15	2	690101	latch ø6/M10x1x31 with lock		04.14.43.60.02.00

Knee lever brake for attendant

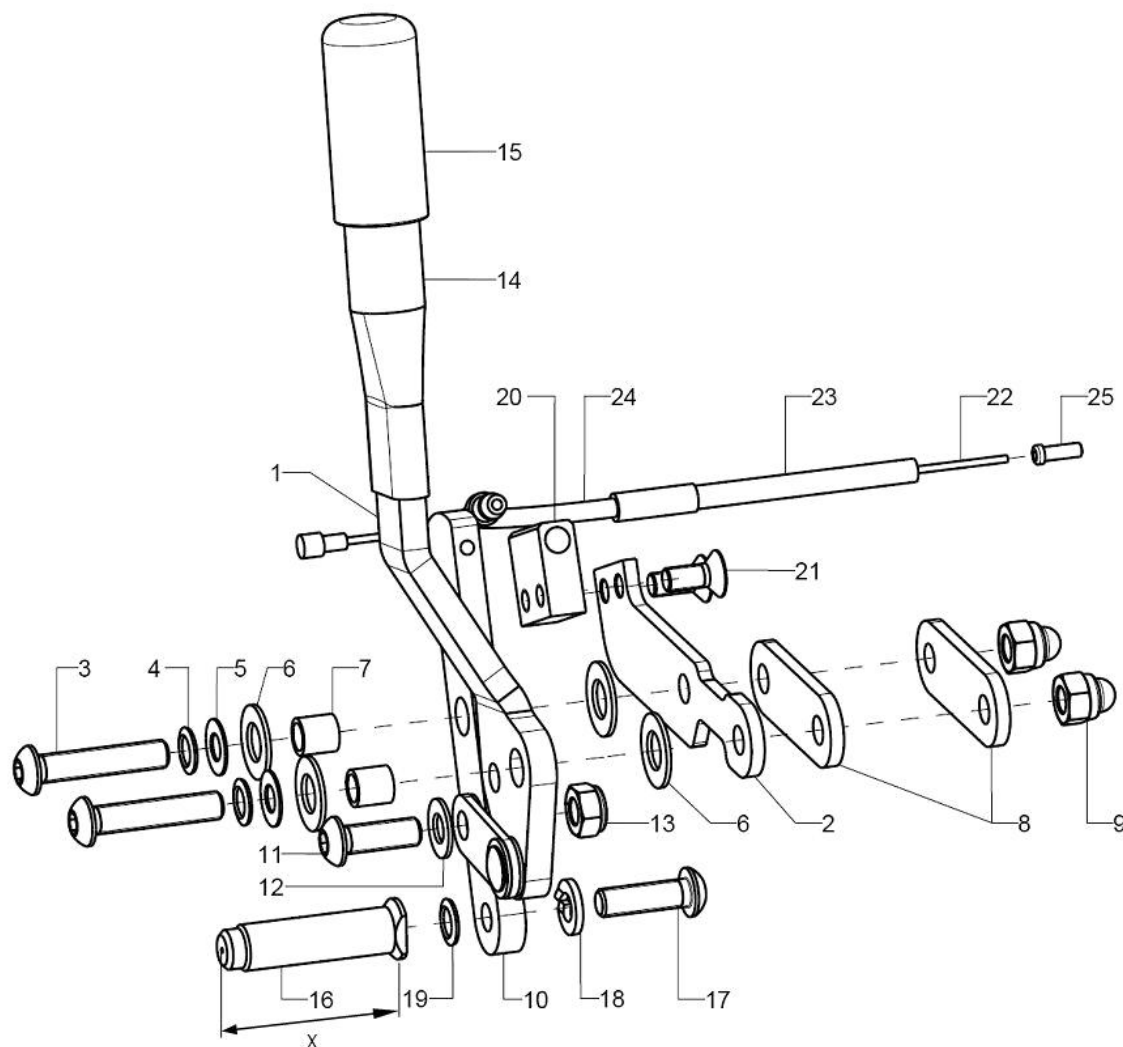


pcs.	Q/1	item no.	Product name:	Variant:	drawing no.
1-22	1	352402	knee lever brake for attendant right incl. operating unit		XXXXXXXXXXXX
o.B.	1	352401	knee lever brake for attendant left incl. operating unit		XXXXXXXXXXXX
1	1	352504	brake pad standard pre-mounted right		35.25.01.02.02.10
o.B.	1	352503	brake pad standard pre-mounted left		35.25.01.02.01.10
2	1	35240102	holder brake bolt right		35.24.01.01.02.10
o.B.	1	35240101	holder brake bolt left		35.24.01.01.01.10
3	1	35240104	holder pull right		35.24.01.03.01.10
o.B.	1	35240103	holder pull left		35.24.01.03.02.10
4-10	2	352499	mounting set knee lever brake attendant		XXXXXXXXXXXX
4	2		lens head screw with hexagon socket ISO 7380 - M6x30		01.42.08.58.65.00
5	2		lock washer S6		02.99.10.60.01.10
6	2		fitted washer DIN 988 - 6x12x0,5 - A2		02.68.06.00.50.30
7	4		fender disc 8,4x16x1 PE		02.81.16.00.10.70
8	2				35.00.18.01.00.30
9	1	352505	bracket 34 Bd 16x3x50		35.25.01.07.00.18
10	2		hexagon cap nut low form with clamp DIN 986 - M6		02.33.00.60.11.20
11	2	350017	cap black 15x6,8		35.00.17.01.00.10
12-15	1	352518	brake bolt 40 mm left-hand thread incl. mounting set		35.25.01.18.00.10
o.B.	1	352506	brake bolt milled 40 mm incl. mounting set		35.25.01.15.00.10
altern.	1	352519	brake bolt 50 mm left-hand thread incl. mounting set		35.25.01.19.00.10
o.B.	1	352507	brake bolt milled 50 mm incl. mounting set		35.25.01.16.00.10
13	1		lens head screw with hexagon socket ISO 7380 , M6x20 left-hand thread		01.42.08.54.05.01
o.B.	1		lens head screw with hexagon socket ISO 7380 - M6x20		01.42.08.54.05.00
14	1		spring ring DIN 127- A6		02.85.30.60.05.10
15	1		lock washer S6		02.99.10.60.01.10



16-22	2	351810	hand brake lever for attendant brake complete	XXXXXXXXXXXX
16	1	352010	hand brake lever for attendant brake incl. mounting set	04.54.92.22.20.10
17	1	352012	inner Bowden cable 1,5x2250	04.54.91.11.52.20
18	1	352405	press spring 1,1x9,4x44x3	04.21.09.40.44.00
19	1	352406	setting screw for Bowden cable M5x34 mm	04.54.01.40.50.21
20	2	352412	end bush metal ø5	04.54.91.50.10.41
21	1	352013	outer shell for Bowden cable black 150mm	04.54.91.21.53.00
22	1	352005	end cap for inner Bowden cable ø1-1,5 mm	04.54.91.50.10.40

One-hand brake operating side



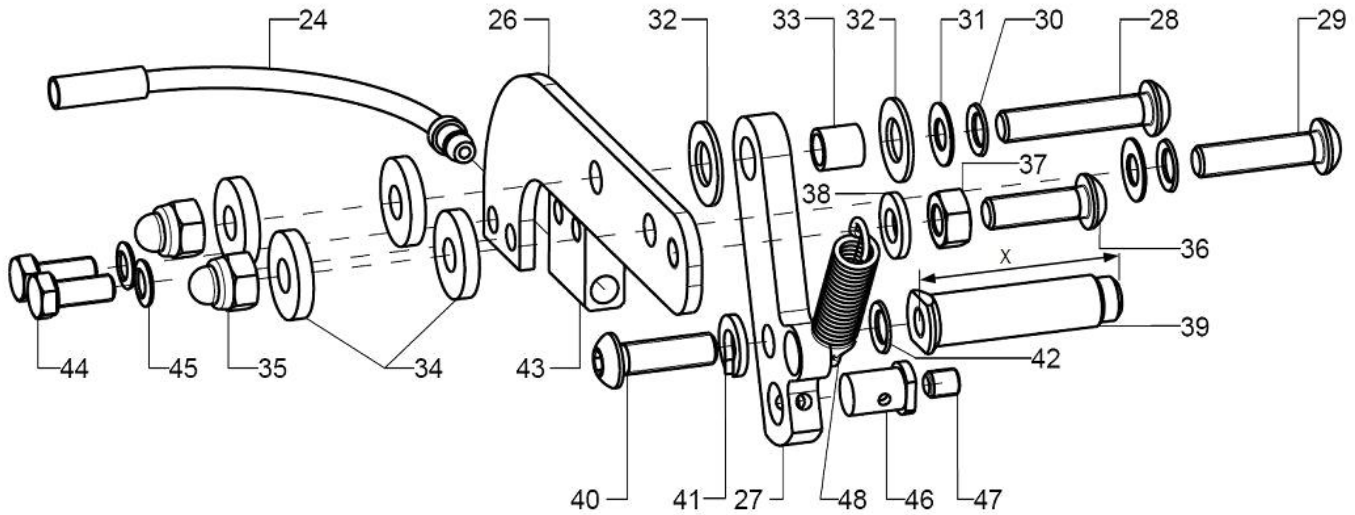
pcs.	Q/1	item no.	Product name:	Variant:	drawing no.
1-48	1	350902	one-hand brake right, complete user side + non-operating side		XXXXXXXXXXXX
o.B.	1	350901	one-hand brake left, complete user side + non-operating side		XXXXXXXXXXXX
1-25	1	350904	one-hand brake, operating side right		XXXXXXXXXXXX
o.B.	1	350903	one-hand brake, operating side left		XXXXXXXXXXXX
1	1	350906	brake pad one-hand brake, pre-mounted right		XXXXXXXXXXXX
o.B.	1	350905	brake pad one-hand brake, pre-mounted left		XXXXXXXXXXXX
2	1	350910	holding plate operating side one-hand brake right		35.09.01.01.02.10
o.B.	1	350909	holding plate operating side one-hand brake left		35.09.01.01.01.10
3-9	1	350999	mounting set knee lever brake		XXXXXXXXXXXX
3	2		lens head screw with hexagon socket ISO 7380 - M6x30		01.42.08.58.65.00
4	2		lock washer S6		02.99.10.60.01.10
5	2		fitted washer DIN 988 - 6x12x0,5 - A2		02.68.06.00.50.30
6	4		fender disc 8,4x16x1 PE		02.81.16.00.10.70
7	2				35.00.18.01.00.30
8	2	352505	bracket 34 Bd 16x3x50		35.25.01.07.00.18
9	2		hexagon cap nut low form with clamp DIN 986 - M6		02.33.00.60.11.20
10-13	1	350913	brake bolt holder one-hand brake incl. mounting set		35.09.01.03.00.10
11	1		lens head screw with hexagon socket ISO 7380 - M6x18		01.42.08.53.05.00
12	2		washer 6x12,7x0,9		02.83.12.01.00.50
13	1		hexagon nut self-locking low form DIN 985 - M6		02.32.00.60.01.20
14	1				
15	1		PVC - immersion cap one-hand steering		04.63.00.16.40.40





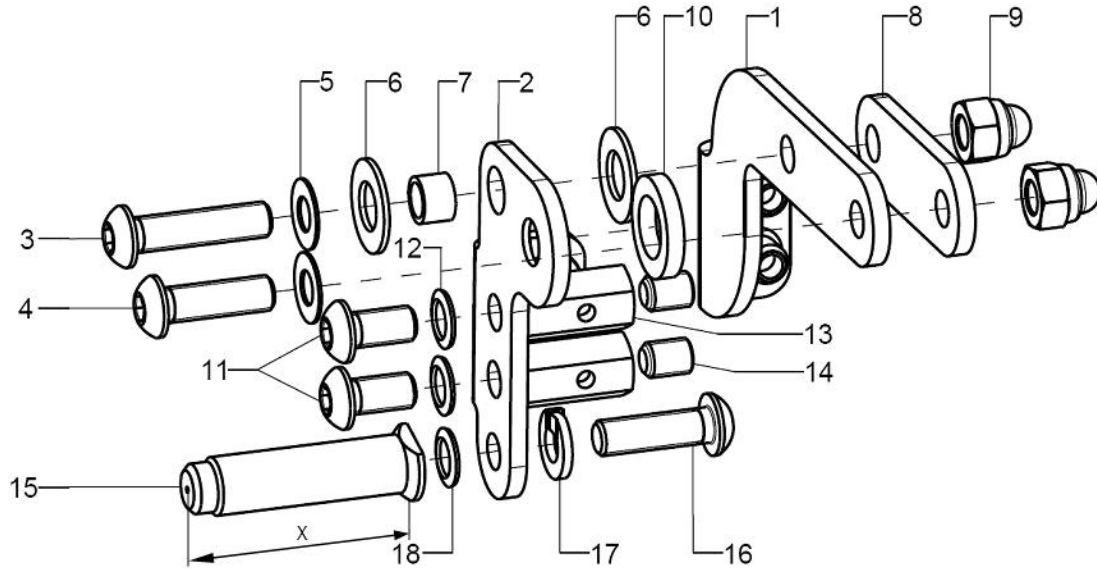
16-19	1	352518	brake bolt 40 mm left-hand thread incl. mounting set	35.25.01.18.00.10
o.B.	1	352506	brake bolt milled 40 mm incl. mounting set	35.25.01.15.00.10
altern.	1	352519	brake bolt 50 mm left-hand thread incl. mounting set	35.25.01.19.00.10
o.B.	1	352507	brake bolt milled 50 mm incl. mounting set	35.25.01.16.00.10
17	1		lens head screw with hexagon socket ISO 7380 , M6x20 left-hand thread	01.42.08.54.05.01
o.B.	1		lens head screw with hexagon socket ISO 7380 - M6x20	01.42.08.54.05.00
18	1		spring ring DIN 127- A6	02.85.30.60.05.10
19	1		lock washer S6	02.99.10.60.01.10
20-21	1	350914	holder one-hand brake operating side incl. mounting screws	35.09.01.02.00.10
21	2		counter sunk screw with hexogon socket DIN 7991 M5x12	01.65.07.89.05.00
22-25	1	350917	Bowden cable complete	XXXXXXXXXXXX
22	1	352012	inner Bowden cable1,5x2250	04.54.91.11.52.20
23	1	350915	outer shell for Bowden cable	04.54.91.21.53.00
24	2	350916	braket with bush	35.09.03.01.00.10
25	1	352005	end cap for inner Bowden cable ø1-1,5 mm	04.54.91.50.10.40

One-hand brake non-operating side



pcs.	Q/1	item no.	Product name:	Variant:	drawing no.
26-48	1	350912	one-hand brake non-operating side complete		XXXXXXXXXXXX
26	1	350920	holding plate one-hand brake		35.09.02.01.00.10
27	1	350921	brake bolt holder one-hand brake		35.09.02.02.00.10
28-38	1	350998	mounting set one-hand brake		XXXXXXXXXXXX
28	1		lens head screw with hexagon socket ISO 7380 - M6x30		01.42.08.58.65.00
29	1		lens head screw with hexagon socket ISO 7380 - M6x25		01.42.08.56.65.00
30	2		lock washer S6		02.99.10.60.01.10
31	2		fitted washer DIN 988 - 6x12x0,5 - A2		02.68.06.00.50.30
32	2		fender disc 8,4x16x1 PE		02.81.16.00.10.70
33	1				35.00.18.01.00.30
34	4		washer DIN 7349 - 6,4		02.77.06.53.00.20
35	2		hexagon cap nut low form with clamp DIN 986 - M6		02.33.00.60.11.20
36	1		lens head screw with hexagon socket ISO 7380 - M6x20		01.42.08.54.05.00
37	1		hexagon nut DIN 934 - M10		02.19.01.00.01.20
38	1		washer DIN 125 - A 6,4		02.61.06.41.41.20
39-42	1	352518	brake bolt 40 mm left-hand thread incl. mounting set		35.25.01.18.00.10
o.B.	1	352506	brake bolt milled 40 mm incl. mounting set		35.25.01.15.00.10
altern.	1	352519	brake bolt 50 mm left-hand thread incl. mounting set		35.25.01.19.00.10
o.B.	1	352507	brake bolt milled 50 mm incl. mounting set		35.25.01.16.00.10
40	1		lens head screw with hexagon socket ISO 7380 , M6x20 left-hand thread		01.42.08.54.05.01
o.B.	1		lens head screw with hexagon socket ISO 7380 - M6x20		01.42.08.54.05.00
41	1		spring ring DIN 127- A6		02.85.30.60.05.10
42	1		lock washer S6		02.99.10.60.01.10
43-45	1	350922	holder one-hand brake non-operating side incl. mounting screws		35.09.01.02.00.10
44	2		hexagon screw DIN 933 - M5x12		01.04.07.89.02.40
45	2		lock washer S5		02.99.10.50.01.10
46-47	1	350923	clamp unit incl. setscrew		Rolko_Art.-Nr.
47	1		setscrew with hexagon socket DIN 913, M5x6		01.67.07.86.61.20
48	1	350924	pull spring 1,2x9x40		04.22.00.10.40.00

**Bowden cable brake pressure piece**

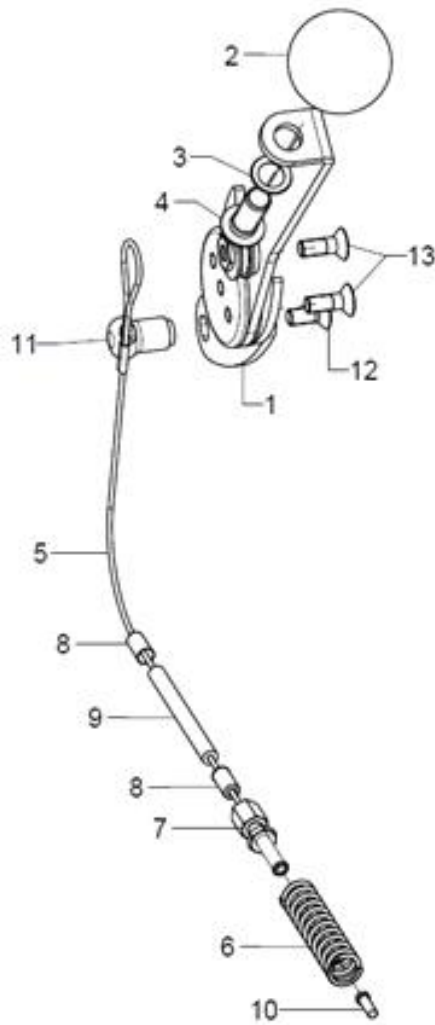


pcs.	Q/1	item no.	Product name:	Variant:	drawing no.
1-32	1	3531	cable brake complete		XXXXXXXXXXXX
1	1	35310604	base unit combination right		35.31.06.04.02.69
altern.	1	35310205	base part right		35.31.02.04.02.69
o.B.	1	35310603	base unit combination left		35.31.06.04.01.69
altern.	1	35310204	base part left		35.31.02.04.01.69
2	1	35310606	pressing part right		35.31.06.03.02.69
altern.	1	35310202	pressing part right		35.31.02.01.02.69
o.B.	1	35310605	pressing part left		35.31.06.03.01.69
altern.	1	35310201	pressing part left		35.31.02.01.01.69
3-14	2	353199	mounting set for cable brake		XXXXXXXXXXXX
3	1		lens head screw with hexagon socket ISO 7380 - M6x25		01.42.08.56.65.00
4	1		lens head screw with hexagon socket ISO 7380 - M6x20		01.42.08.54.05.00
5	2		fitted washer DIN 988 - 6x12x0,5 - A2		02.68.06.00.50.30
6	2		fender disc 8,4x16x1 PE		02.81.16.00.10.70
7	1				35.31.02.03.00.69
8	1	352505	bracket 34 Bd 16x3x50		35.25.01.07.00.18
9	2		hexagon cap nut low form with clamp DIN 986 - M6		02.33.00.60.11.20
10	1				19.06.02.07.00.24
11	1(2)		lens head screw with hexagon socket ISO 7380 - M6x12		01.42.08.49.65.00
12	1(2)		lock washer S6		02.99.10.60.01.10
13	1(2)				35.31.02.06.00.69
14	1(2)		setscrew with hexagon socket DIN 913, M6x8		01.67.08.47.61.20
15-18	1	352518	brake bolt 40 mm left-hand thread incl. mounting set		35.25.01.18.00.10
o.B.	1	352506	brake bolt milled 40 mm incl. mounting set		35.25.01.15.00.10
altern.	1	352519	brake bolt 50 mm left-hand thread incl. mounting set		35.25.01.19.00.10
o.B.	1	352507	brake bolt milled 50 mm incl. mounting set		35.25.01.16.00.10
16	1		lens head screw with hexagon socket ISO 7380 , M6x20 left-hand thread		01.42.08.54.05.01
o.B.	1		lens head screw with hexagon socket ISO 7380 - M6x20		01.42.08.54.05.00
17	1		spring ring DIN 127- A6		02.85.30.60.05.10
18	1		lock washer S6		02.99.10.60.01.10

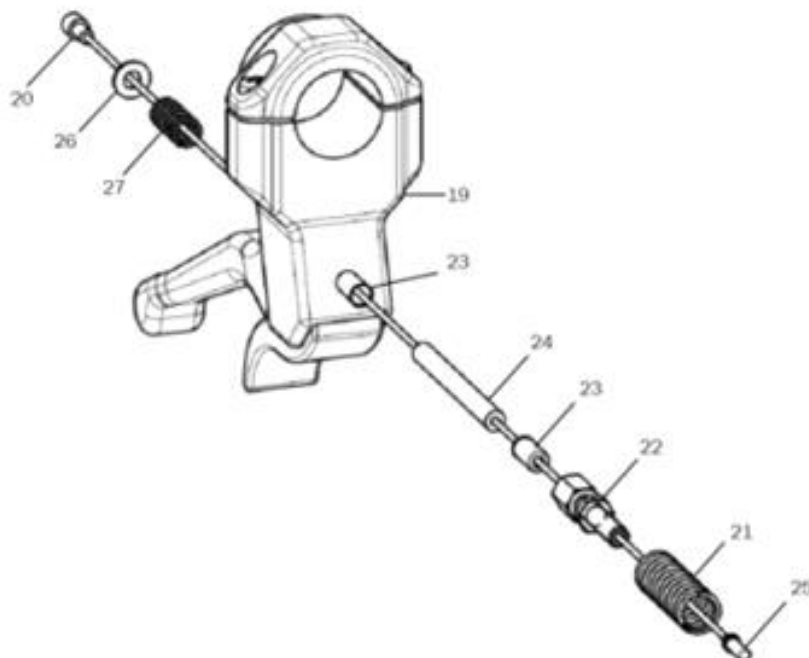
Bowden cable brake control/non-control sides

Seilzugbremse

Benutzerbedienteil



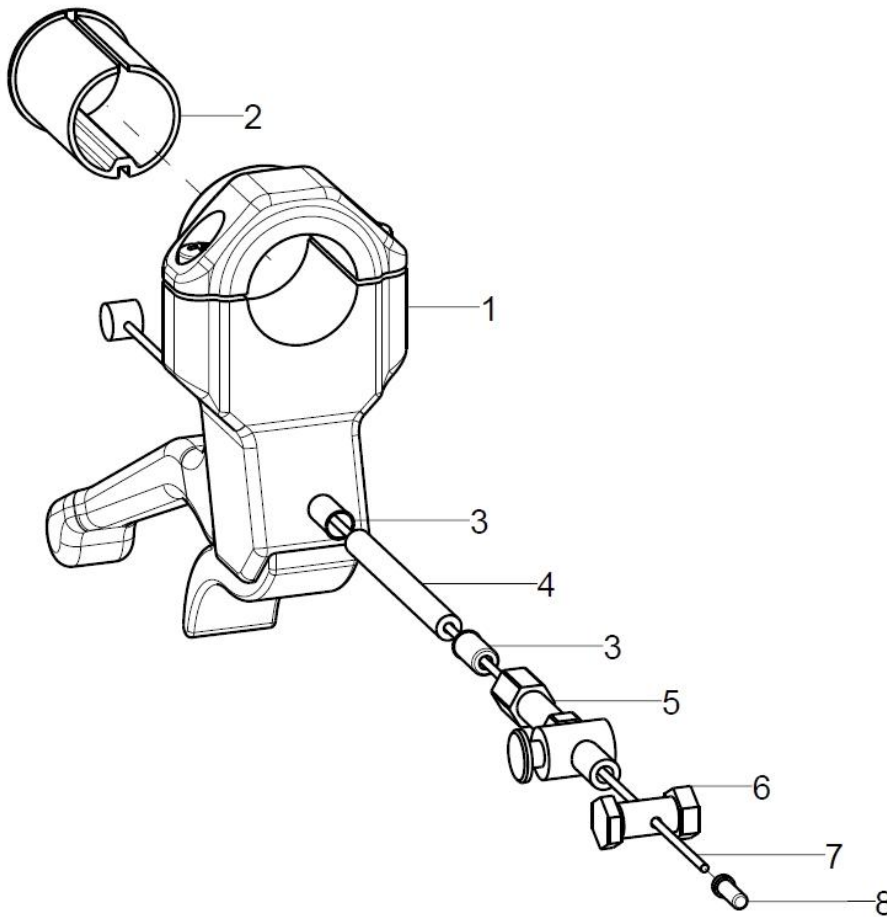
Begleiterbedienteil





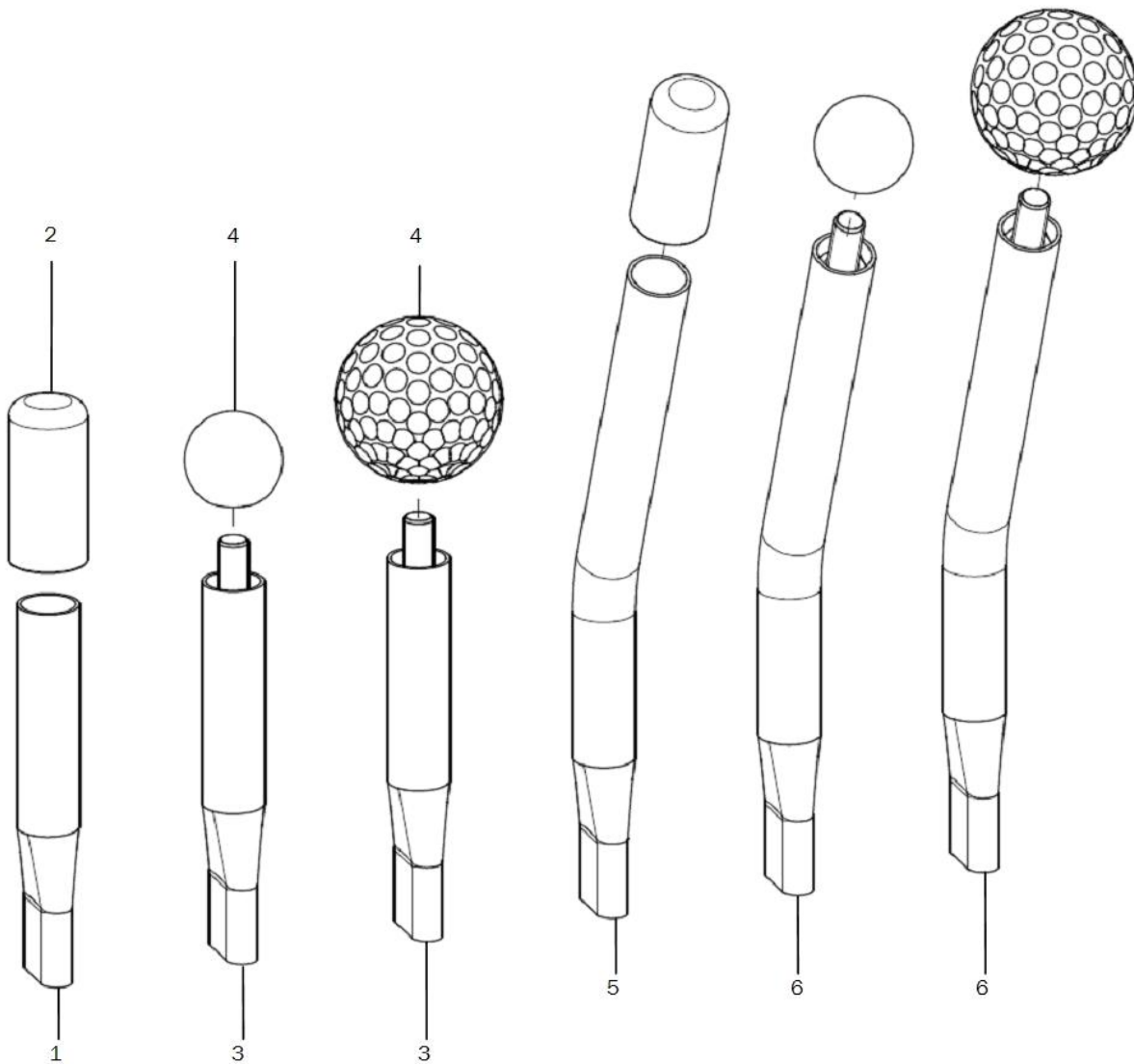
pcs.	Q/1	item no.	Product name:	Variant:	drawing no.
1-13	2	353103	user operating unit complete+ cable brake complete		XXXXXXXXXXXXX
1	1	353111	operating unit cable brake Jump/Vector pre-mounted right		35.31.01.99.02.69
o.B.	1	353112	operating unit cable brake Jump/Vector pre-mounted left		35.31.01.99.01.74
2-4	1	35310109	ball knob $\varnothing$ 32/M8, form C, incl. mounting set		04.06.13.20.80.50
3	1		lock washer S8		02.99.10.80.01.10
4	1		lens head screw with hexagon socket ISO 7380 - M8x20		01.42.09.74.65.00
5-10	2	353105	cable brake user operating unit complete		XXXXXXXXXXXXX
5	1	35310301	bowden cable with loop 90 cm		35.31.03.01.00.69
6	1	352405	press spring 1,1x9,4x44x3		04.21.09.40.44.00
7	1	352406	setting screw for Bowden cable M5x34 mm		04.54.01.40.50.21
8	2	352412	end bush metal $\varnothing$ 5		04.54.91.50.10.41
9	1	35310303	outer cover for Bowden cable black, 38 cm long		04.54.91.21.53.00
10	1	352005	end cap for inner Bowden cable $\varnothing$ 1-1,5 mm		04.54.91.50.10.40
11	1				35.31.03.03.00.69
12	1		counter sunk screw with hexogon socket DIN 7991 M5x12		01.65.07.89.05.00
13	2		counter sunk screw with hexogon socket DIN 7991 M5x14		01.65.07.90.05.00
19-27	2	353110	attendant operating unit		XXXXXXXXXXXXX
19	1	352010	hand brake lever for attendant brake incl. mounting set		04.54.92.22.20.10
20	1	352012	inner Bowden cable1,5x2250		04.54.91.11.52.20
21	1	352405	press spring 1,1x9,4x44x3		04.21.09.40.44.00
22	1	352406	setting screw for Bowden cable M5x34 mm		04.54.01.40.50.21
23	2	352412	end bush metal $\varnothing$ 5		04.54.91.50.10.41
24	1	352013	outer shell for Bowden cable black 150mm		04.54.91.21.53.00
25	1	352005	end cap for inner Bowden cable $\varnothing$ 1-1,5 mm		04.54.91.50.10.40
26	1		washer DIN 125 - A 4,3		02.61.04.30.91.20
27	1		pressure spring 0,66x6,7x15		04.21.06.60.15.00

Brake lever for drum brake



pcs.	Q/1	item no.	Product name:	Variant:	drawing no.
1-8	2	352016	hand brake lever complete		XXXXXXXXXXXX
1+2	1	352010	hand brake lever for attendant brake incl. mounting set		04.54.92.22.20.10
2	1	352011			35.20.11.01.00.28
3-8	2	352006			
3	2	352412	end bush metal $\varnothing 5$		04.54.91.50.10.41
4	1	352013	outer shell for Bowden cable black 150mm		04.54.91.21.53.00
5	1	352007	set screw for Bowden cable M6x40 mm		04.54.01.40.60.20
6	1	352009			04.54.11.30.00.20
7	1	352012	inner Bowden cable 1,5x2250		04.54.91.11.52.20
8	1	352005	end cap for inner Bowden cable $\varnothing 1-1,5$ mm		04.54.91.50.10.40

Brake lever extensions



pcs.	Q/1	item no.	Product name:	Variant:	drawing no.
1-2	2	3510	brake lever extension with cap		35.01.03.02.00.10
2	2	351011	PVC cap one-hand brake		04.63.00.16.40.40
3-4	2	3512	brake lever extension 100 for ball knob		35.14.03.01.00.30
4	2	351016	ball knob		04.06.12.50.80.40
altern.	2	351211	golf ball		04.06.14.20.80.00
5+2	2	3515	brake lever extension 23° with cap		35.15.03.01.00.10
6+4	2	3516	brake lever extension 23° for ball knob		35.16.03.01.00.10

**Hip belt with Velcro and synthetic lock**

<b>pcs.</b>	<b>Q/1</b>	<b>item no.</b>	<b>Product name:</b>	<b>Variant:</b>	<b>drawing no.</b>
1	1	7800	lap belt small		04.56.90.01.00.20
o.B.	1	7801	lap belt, medium cushion		04.56.90.01.00.10



**Hip belt with metal lock**

pcs.	Q/1	item no.	Product name:	Variant:	drawing no.
1	1	7805	lap belt by Bodypoint with metal lock and mounting clamp		04.56.91.01.00.10

Butterfly harness



pcs.	Q/1	item no.	Product name:	Variant:	drawing no.
1	1	7810	butterfly harness		