

Mio Classic

before Design 2018

SPARE PARTS LIST





Dear customer,
in the following pages you will find a complete spare part list with all parts used to build our wheelchairs.

To ensure a accurate delivery of spare parts it is vital to provide the following information fro the identification label in addition to the Article-Number (Art.-No.).

To find the identification label on the chair please look up the following link for the exact location:

https://sorgrollstuhltechnik.de/wp-content/uploads/2017/07/Typenschild_finden.pdf

1. Serial number of the chair

The serial number enables us to identify the configuration of delivery of the specific chair in.

2. Seat width, seat depth and back height

The measures on the identification label are specified for the delivery configuration. If you changed any of these measures after delivery e.g. by growing the chair, please specify the actual new measures.

3. Lower leg length

We need the LLL to decide for the right version of several attachments which are connected to the LLL.

4. Frame colour

Please indicate the frame colour of the chair when ordering a powder coated spare part. Please note also if the finish alternative is shiny or matt.

5. Any other change after delivery (e.g. attachments)

We cannot know about changes after delivery. If you are not sure if such a change has any influence on the needed spare parts, please give us some details about it.

List of abbreviations

Pcs.	piece number
item no	item number to order specific spare part
Q/1	quantity per wheelchair/assembly group
SW	seat width
SD	seat depth
BH	back height
alt.	alternative
l/r	left/right

Handling annotations

Only items with item number are to order.

right / left are in relation to driving direction.

If you need further assistance, please contact us:

SORG Rollstuhltechnik GmbH & Co.KG

Benzstraße 3-5

68794 Oberhausen-Rheinhausen

Fon +49 7254 - 9279 0

Fax +49 7254 - 9279 10

info@sorgrollstuhltechnik.de

<http://www.sorgrollstuhltechnik.de>

Opening times:

Monday - Friday 8.00 am - 4.30 pm

Technical alterations and misprints excluded.

Prices on demand.

Contents

Frame

Frame	1
Anti-tipper	2
Tipping aid	3

Leg support

Leg support, version 1, undivided	4
Leg support, version 1, divided	5
Heel edge for Leg support version 1, undivided	6
Heel edge for Leg support version 2, divided	7
Heel cup	8

Seat

SeatFix + seat carrier angle	9
seat cushion	10
Abduction wedge	11
Therapy table	13

Back

Curved back plate	14
Curved back plate, single piece	15
Back elongation	16
Cushion for curved back plate	17
Stabilizer bar	18
Push bow, extendable	19
One hand push handle / Standard push handles	20
Truss pads Stealth from BH 35cm	21
Head rest	23
Light weigh headrest	24

Side part

Activity side guard	25
---------------------	----

Caster wheel

Caster wheel fork	26
Caster wheels	27

Rear wheel

Quick release fitting	28
Drum brake anchor	29
Rear wheel	30
Double handrim Standard	31
Telescopic rod	32
Tyres	33
Handrims	34
Handrim cover	35
Spoke cover	36



Contents

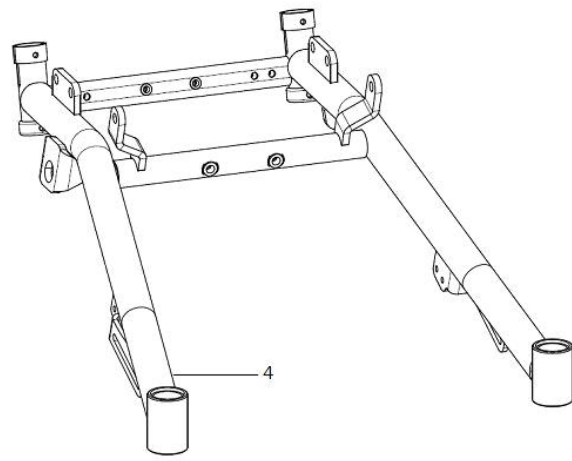
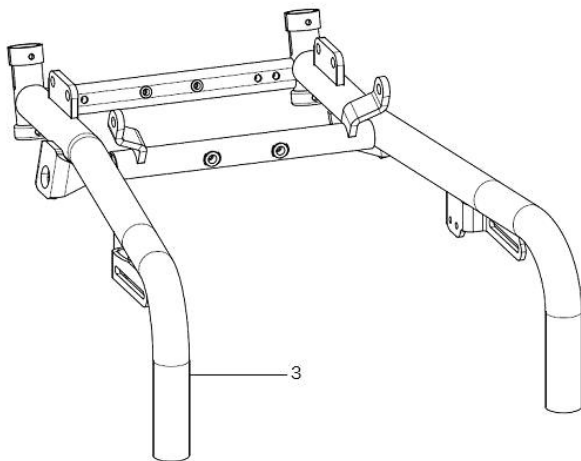
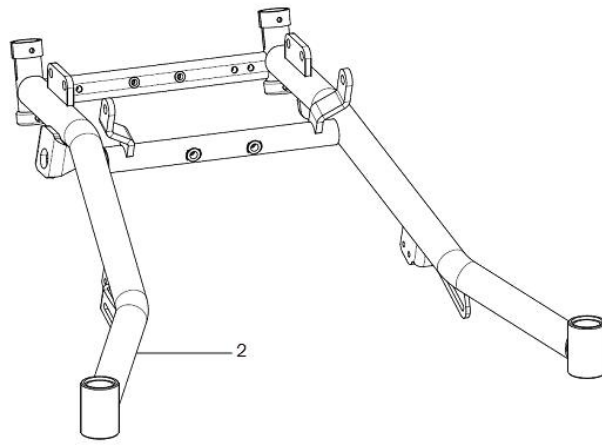
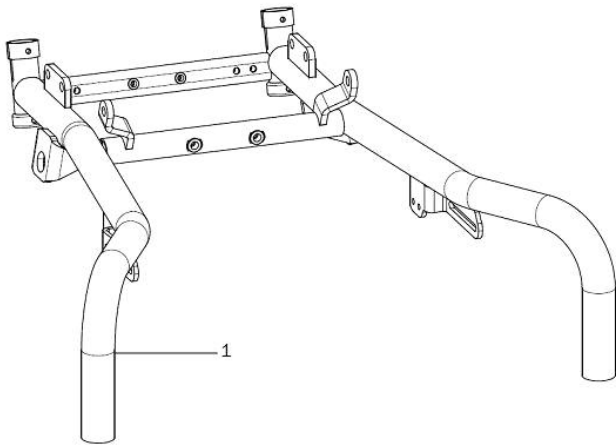
Brake

Bowden cable brake pressure piece	37
Bowden cable brake attendant and user operating unit	40
Drumbrake handle	41

Options

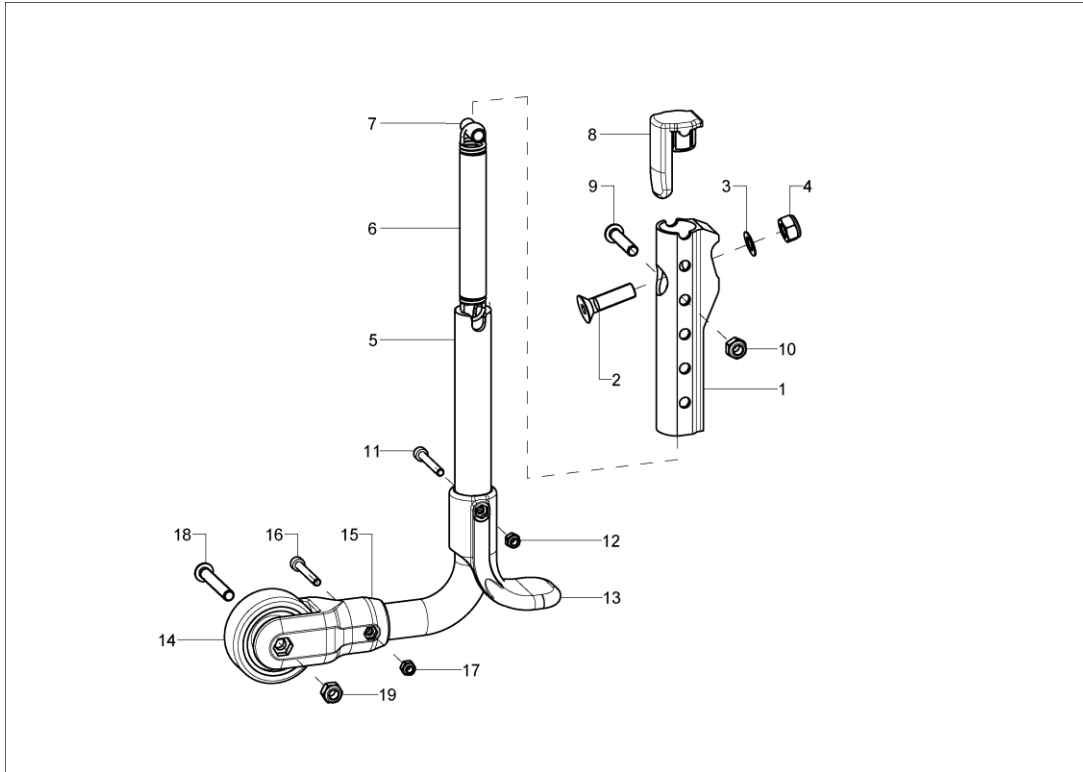
Water bottle	42
Hip belt with Velcro and synthetic lock	43
Hip belt with metal lock	44
Butterfly harness	45

Frame



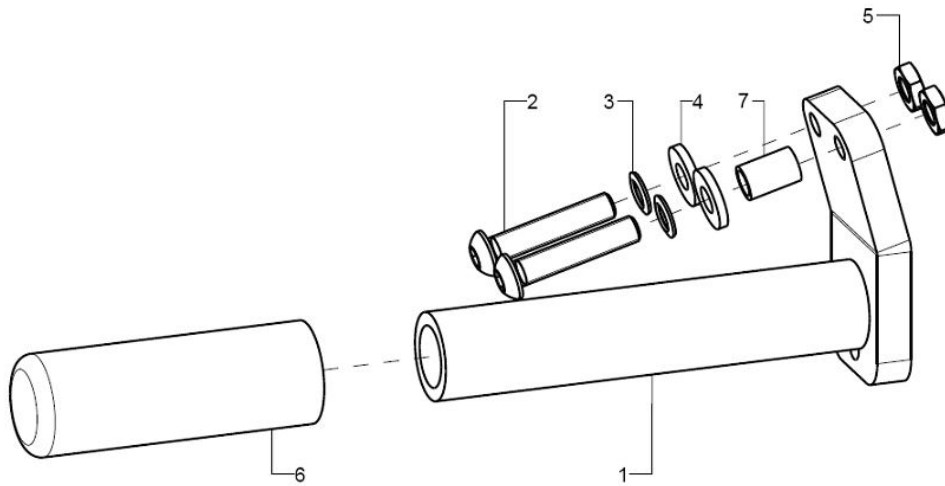
pcs.	Q/1	item no.	Product name:	Variant:	drawing no.
1	1	597324	frame retro 18" with strong abduction		59.73.08.01.00.73
o.B.	1	597311	frame retro 20" with strong abduction		59.73.01.01.00.73
o.B.	1	597312	frame retro 22" with strong abduction		59.73.02.01.00.73
o.B.	1	597313	frame retro 24" with strong abduction		59.73.03.01.00.73
2	1	597325	frame taurus 18" with strong abduction		59.73.10.01.00.73
o.B.	1	597314	frame taurus 20" with strong abduction		59.73.04.01.00.73
o.B.	1	597315	frame taurus 22" with strong abduction		59.73.05.01.00.73
o.B.	1	597316	frame taurus 24" with strong abduction		59.73.06.01.00.73
3	1	597326	frame retro 18" with slight abduction		59.73.09.01.00.73
o.B.	1	597317	frame retro 20" with slight abduction		59.73.11.02.00.73
o.B.	1	597318	frame retro 22" with slight abduction		59.73.12.02.00.73
o.B.	1	597319	frame retro 24" with slight abduction		59.73.13.02.00.73
4	1	597327	taurus frame 18" with slight abduction		59.73.11.01.00.73
o.B.	1	597320	frame taurus 20" with slight abduction		59.73.14.02.00.73
o.B.	1	597321	frame taurus 22" with slight abduction		59.73.15.02.00.73
o.B.	1	597322	frame taurus 24" with slight abduction		59.73.16.02.00.73

Anti-tipper



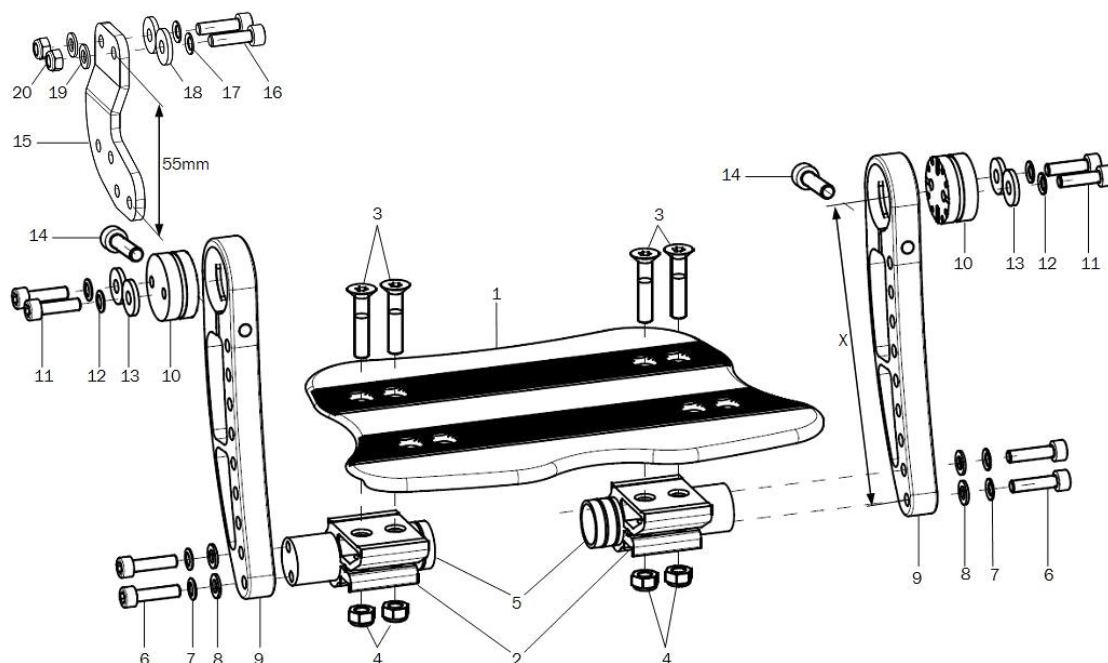
pcs.	Q/1	item no.	Product name:	Variant:	drawing no.
1-19	1	7213	anti-tipper to swing-away, incl. mounting set		XXXXXXXXXXXX
1	1	721303	anti-tipper holder		72.13.03.01.00.73
2-4	1	721399	mounting set for anti-tipper on frame		XXXXXXXXXXXX
2	1				
3	1				02.68.08.05.00.30
4	1		hexagon nut self-locking low form DIN 985 - M8		02.32.00.80.01.20
5-19	1	721305	anti-tipper bail pre-assembled for 20" driving wheels		72.15.76.99.00.76
o.B.	1	721306	anti-tipper bail pre-assembled for 22/24" driving wheels		72.13.03.99.00.73
5	1	721307	anti-tipper bail for 20" driving wheels		72.15.76.01.00.76
o.B.	1	721308	anti-tipper bail for 22/24" driving wheels		72.13.03.02.00.73
6	1		tension spring, loop 180°, 1/1 centred, 13,5x2x113		04.22.01.41.13.00
8	1		locking cap anti-tipper holder		72.13.05.02.00.77
9	1		lens head screw with hexagon socket ISO 7380 - M6x30		01.42.08.58.65.00
10	1		hexagon nut self-locking low form DIN 985 - M6		02.32.00.60.01.20
11	1		cylinder screw DIN 912 M4x30		01.22.07.38.62.40
12	1		hexagon nut self-locking low form DIN 985 - M4		02.32.00.40.01.20
13	1	72150104	tipping lever black		72.15.01.04.00.74
14	1	720004	wheel ø50, width 18, nob width 20, axle ø 6, PU grey		04.52.42.50.00.30
15-19	1	72150101	holder anti-tipper for wheel ø50 mm, incl. mounting set		72.15.01.01.00.74
16	1		cylinder screw DIN 912 M4x30		01.22.07.38.62.40
17	1		hexagon nut self-locking low form DIN 985 - M4		02.32.00.40.01.20
18	1		lens head screw with hexagon socket ISO 7380 - M6x40		01.42.08.60.65.00
19	1		hexagon nut self-locking low form DIN 985 - M6		02.32.00.60.01.20

Tipping aid



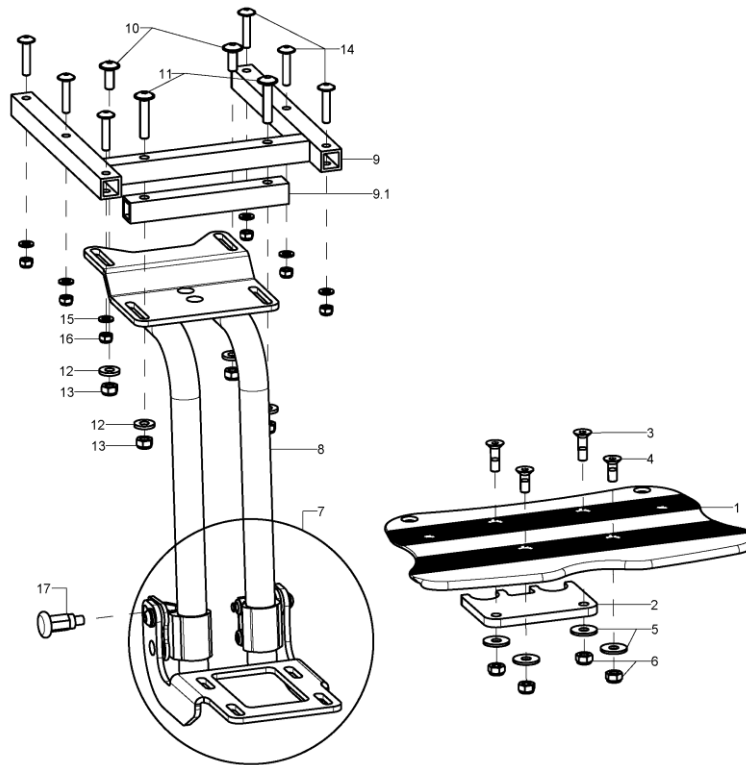
pcs.	Q/1	item no.	Product name:	Variant:	drawing no.
1-7	1	7406	tipping lever black		74.06.01.01.00.73
2	2		lens head screw with hexagon socket ISO 7380 - M6x30		01.42.08.58.65.00
3	2		lock washer S6		02.99.10.60.01.10
4	2		washer reinforced Ø14/6,2x2		58.30.15.01.00.24
5	2		low hexagon nut DIN 439 - M6 - 05 vz		02.03.00.60.07.20
6	1				
7	1				35.00.14.01.00.10

Leg support, version 1, undivided



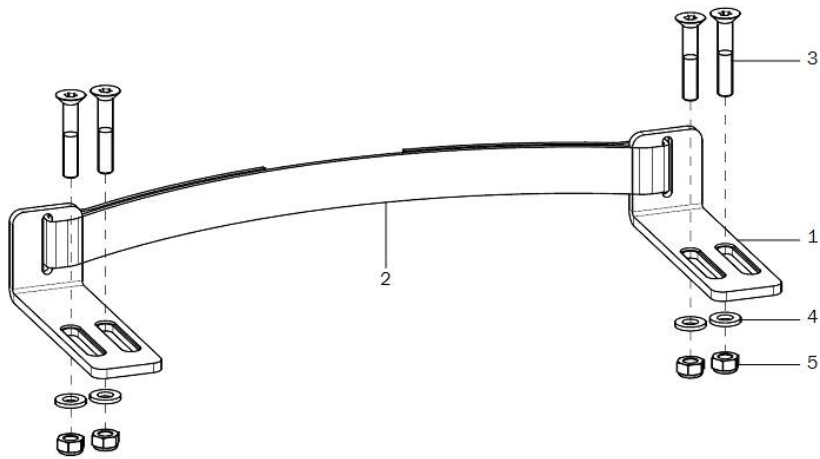
pcs.	Q/1	item no.	Product name:	Variant:	drawing no.
1-14	1	402501	leg support continuous complete		
1	1	40391500	foot rest for continuous leg support standard		40.39.16.00.00.69
2	2	40390106	clamp profile 46,5x28x30, black anodized		40.39.01.06.00.69
3+4	1	40390699	mounting set for clamp profile		
3	4		counter sunk screw with hexagon socket DIN 7991 M6x30		01.65.08.58.02.40
4	4		hexagon nut self-locking low form DIN 985 - M6		02.32.00.60.01.20
5-8	2	40250106	adapter piece incl. mounting set		40.25.01.06.00.73
6	2		cylinder screw DIN 912 M5x20		01.22.07.94.72.40
7	2		lock washer S5		02.99.10.50.01.10
8	2		washer DIN 125 - A 5,3		02.61.05.31.01.20
9	2	40250201	joint lug short		40.25.01.02.00.73
altern.	2	40250301	joint lug long		40.25.01.03.00.73
10-14	2	40250105	joint attachment round incl. mounting set		40.25.01.05.00.73
11	2				
12	2		lock washer S5		02.99.10.50.01.10
13	2		washer DIN 7349 - 5,3		02.77.05.22.00.20
14	1		cylinder screw DIN 912 M6x25		01.22.08.56.02.40
15-20	1	40250802	extension lug 16-20 right incl. mounting set		40.25.01.08.02.73
altern.	1	40250801	extension lug 16-20 left incl. mounting set		40.25.01.08.01.73
16	4				
17	4		lock washer S5		02.99.10.50.01.10
18	4		washer DIN 7349 - 5,3		02.77.05.22.00.20
19	4		washer DIN 125 - A 5,3		02.61.05.31.01.20
20	4		hexagon nut self-locking low form DIN 985 - M5		02.32.00.50.01.20

Leg support, version 1, divided



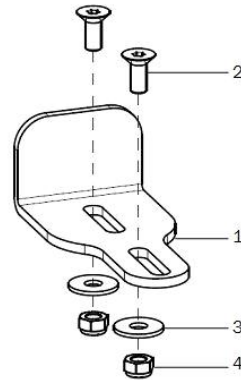
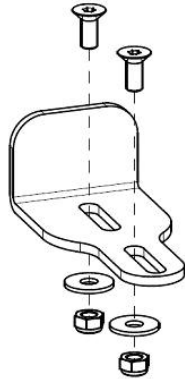
pcs.	Q/1	item no.	Product name:	Variant:	drawing no.
1-17	1	402503	leg support model 2, foot plate continuous, fold up to the back, complete		XXXXXXXXXXXX
1	1	40190300	foot plate		40.19.03.08.XX.72
3-6	1	40190399	mounting set foot plate		XXXXXXXXXXXX
2	1	40190305	stopper		40.19.03.05.00.72
3	2		counter sunk screw with hexagon socket DIN 7991 M6x20		01.65.08.54.02.40
4	2		counter sunk screw with hexagon socket DIN 7991 M6x16		01.65.08.52.02.40
5	4		washer DIN 9021 -6,4		02.79.06.41.60.20
6	4		hexagon nut self-locking low form DIN 985 - M6		02.32.00.60.01.20
7	1	40190304	premounted foot plate holder Kika		40.19.03.99.00.72
8	1	40190101	leg support holder short SD 20-26, to LLL 25 cm		40.19.01.01.00.72
o.B.	1	40190102	leg support holder long SD 20-26, to LLL 33 cm		40.19.01.02.00.72
o.B.	1	40190103	leg support holder long SD 28-32, to LLL 33 cm		40.19.01.03.00.72
10-16	1	40190299	mounting set leg support holder		XXXXXXXXXXXX
9	1	40250300	enforcement frame, leg support attachment Mio SW 22-30		40.25.03.00.00.73
9.1	1	40250304	crossbar		40.25.03.04.00.73
10	2		lens head screw with hexagon socket M6x16		01.43.08.52.65.00
11	2				01.43.08.58.65.00
12	4		washer reinforced Ø14/6,2x2		58.30.15.01.00.24
13	4		hexagon nut self-locking low form DIN 985 - M6		02.32.00.60.01.20
14	6		lens head screw with hexagon socket M5x25		01.43.07.96.65.00
15	6		washer DIN 125 - A 5,3		02.61.05.31.01.20
16	6		hexagon nut self-locking low form DIN 985 - M5		02.32.00.50.01.20
17	1	690101	latch Ø6/M10x1x31 with lock		04.14.43.60.02.00

Heel edge for Leg support version 1, undivided



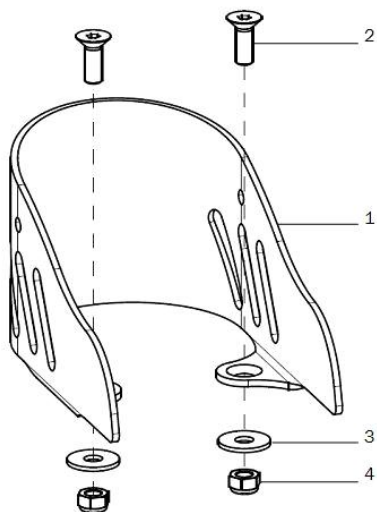
pcs.	Q/1	item no.	Product name:	Variant:	drawing no.
1-5	2	402505	heel edge complete		40.25.02.01.00.73
2	1				
3	4		counter sunk screw with hexogon socket DIN 7991 M6x35		01.65.08.59.05.00
4	4		washer DIN 9021 -6,4		02.79.06.41.60.20
5	4		hexagon nut self-locking low form DIN 985 - M6		02.32.00.60.01.20

Heel edge for Leg support version 2, divided



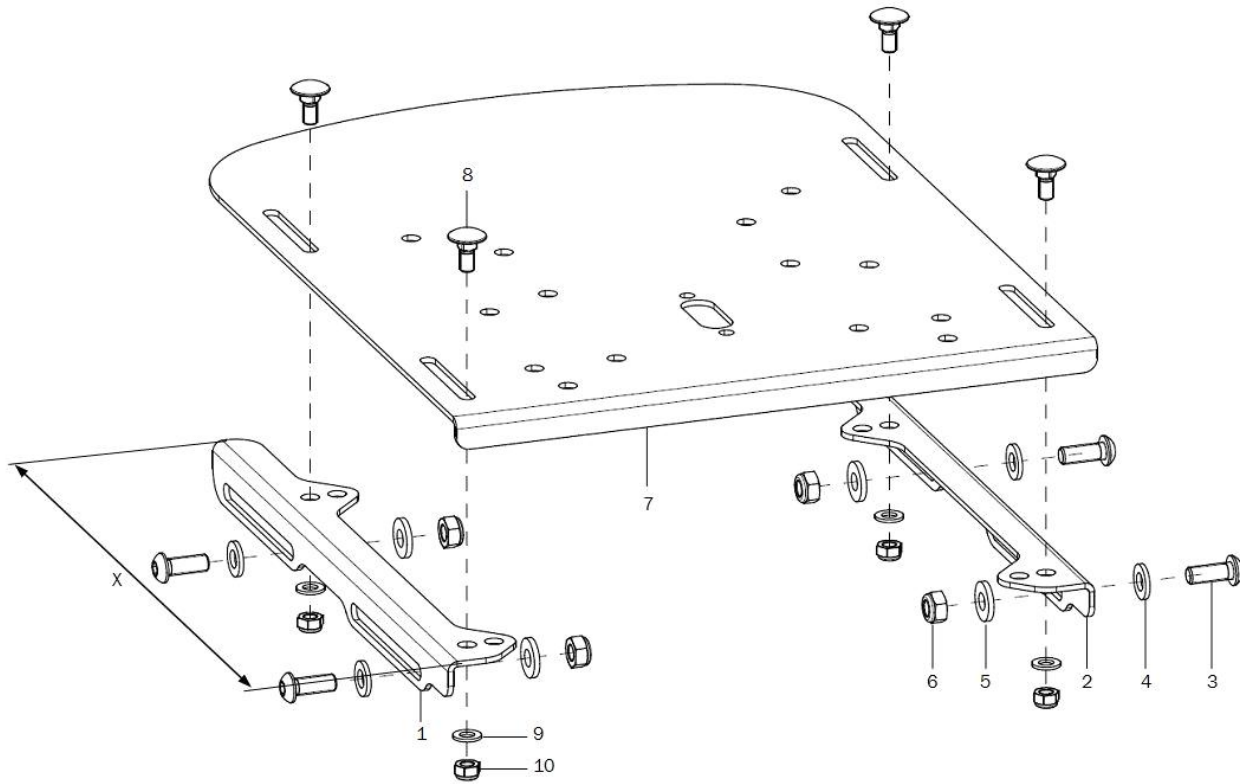
pcs.	Q/1	item no.	Product name:	Variant:	drawing no.
1-4	2	401904	heel edge incl. mounting set		40.19.04.01.00.72
2	4		counter sunk screw with hexagon socket DIN 7991 M5x12		01.65.07.89.05.00
3	4		washer DIN 9021 - M5		02.79.05.31.20.20
4	4		hexagon nut self-locking low form DIN 985 - M5		02.32.00.50.01.20

Heel cup



pcs.	Q/1	item no.	Product name:	Variant:	drawing no.
1-4	2	402001	heel holder size 1 7x11,5 cm incl. mounting set		40.20.01.01.00.14
o.B.	2	402002	heel holder size 2 9x12,5 cm incl. mounting set		40.20.02.01.00.14
2	2		counter sunk screw with hexogon socket DIN 7991 M5x14		01.65.07.90.05.00
3	2		washer DIN 9021 - M5		02.79.05.31.20.20
4	2		hexagon nut self-locking low form DIN 985 - M5		02.32.00.50.01.20

SeatFix + seat carrier angle



pcs.	Q/1	item no.	Product name:	Variant:	drawing no.
1	1	19030202	seat support angle right		19.03.02.00.02.73
2	1	19030201	seat support angle left		19.03.02.00.01.73
3-6	2	19030299	mounting set seat support angle		XXXXXXXXXXXX
3	2		lens head screw with hexagon socket ISO 7380 - M6x16		01.42.08.52.65.00
4	2		washer DIN 125 - A 6,4		02.61.06.41.41.20
5	2		washer reinforced $\varnothing 14/6,2 \times 2$		58.30.15.01.00.24
6	2		hexagon nut self-locking low form DIN 985 - M6		02.32.00.60.01.20
7	1	190301	seat plate		19.03.01.00.00.73
8-10	1	19030199	mounting set seat plate		XXXXXXXXXXXX
8	4		round-head screw DIN 6003 M5x12		01.11.07.89.00.40
9	4		washer DIN 125 - A 5,3		02.61.05.31.01.20
10	4		hexagon nut self-locking low form DIN 985 - M5		02.32.00.50.01.20

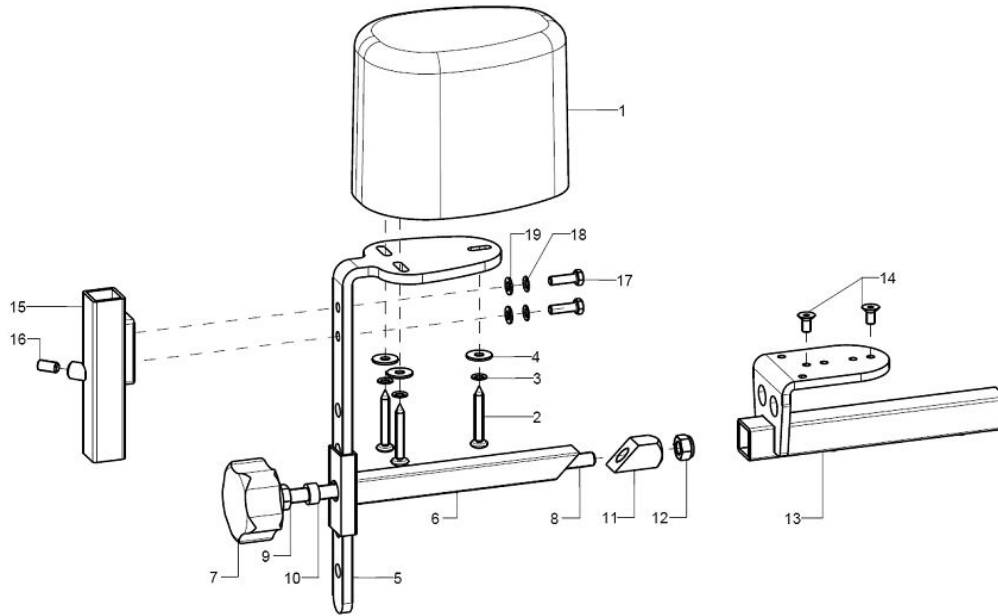
seat cushion

pcs.	Q/1	item no.	Product name:	Variant:	drawing no.
o.B.	1	891002	anatomical seat cushion		XXXXXXXXXXXX
o.B.	1	891003	cover for anatomical seat cushion		XXXXXXXXXXXX
o.B.	1	891004	incontinence cover for anatomical seat cushion		XXXXXXXXXXXX
o.B.	1	8003	seat cushion, synthetic foam, 3cm thick		XXXXXXXXXXXX
o.B.	1	8005	seat cushion, synthetic foam, 5cm thick		XXXXXXXXXXXX
o.B.	1	8103	seat cushion, memory foam, 3cm thick		XXXXXXXXXXXX
o.B.	1	8105	seat cushion, memory foam, 5cm thick		XXXXXXXXXXXX
o.B.	1	80XX	cover for seat cushion		XXXXXXXXXXXX
o.B.	1	8603	incontinence protection for 3cm cushion (non refundable)		
o.B.	1	8605	incontinence protection for 5cm cushion (non refundable)		

Stoffmuster	XX
Betex schwarz	20
Betex blau	21
Betex rot	22
Betex grau	23
Betex grün	24
Betex gelb	25
Betex orange	27

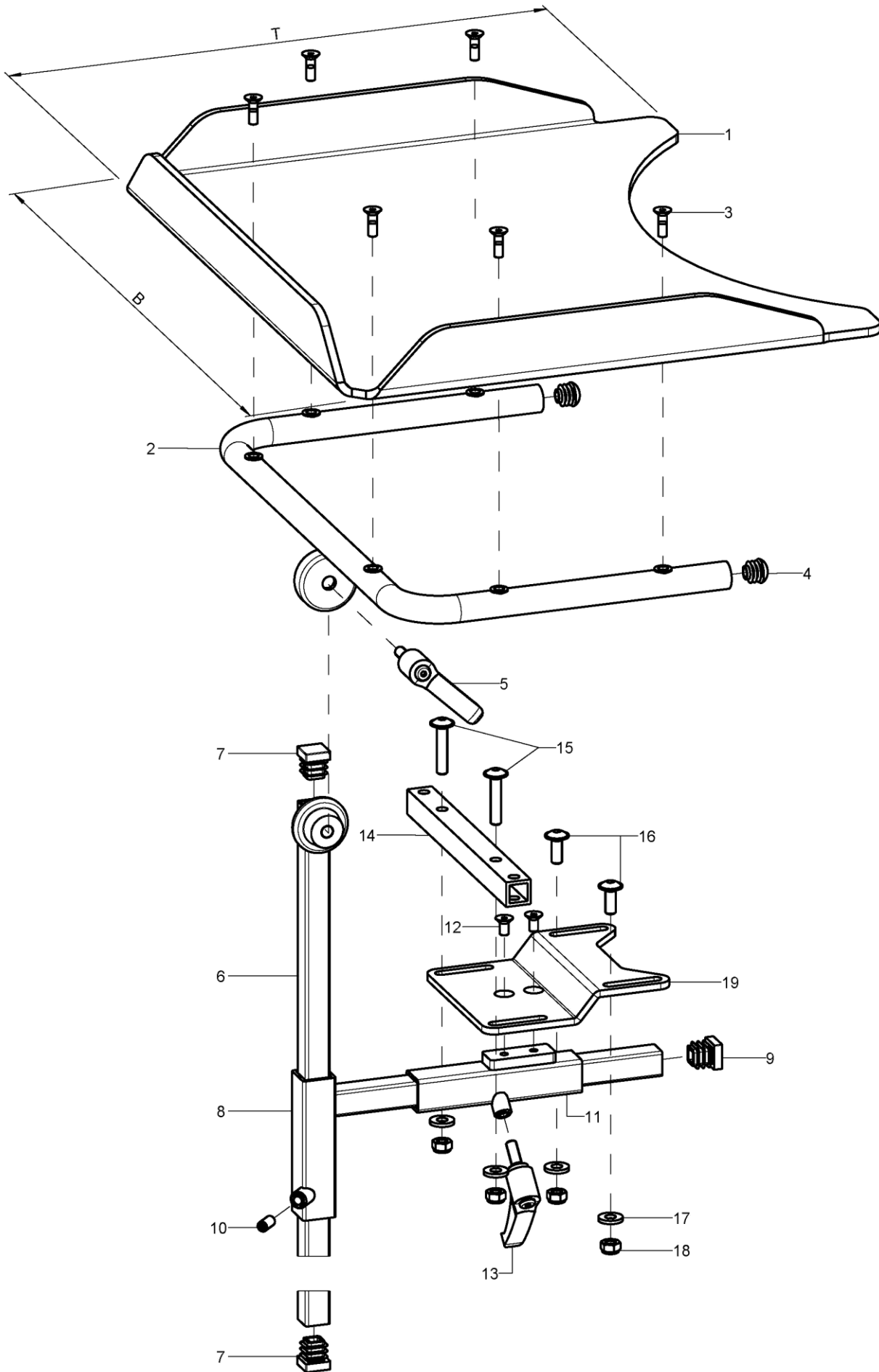
Alle Stoffmuster können unter www.sorgrollstuhltechnik.de angesehen werden.

Abduction wedge



pcs.	Q/1	item no.	Product name:	Variant:	drawing no.
1-14	1	1952	abduction wedge size s		XXXXXXXXXXXX
o.B.	1	1953	abduction wedge size m		XXXXXXXXXXXX
o.B.	1	1954	abduction wedge size l		XXXXXXXXXXXX
1	1	195002	abduction wedge small		04.65.17.09.01.20
o.B.	1	195003	abduction wedge medium		04.65.17.11.03.20
o.B.	1	195004	abduction wedge large		04.65.17.13.02.20
2-4	1	19500299	mounting set abduction wedge on holder angle		XXXXXXXXXXXX
2	3				01.88.07.99.00.80
3	3		lock washer S5		02.99.10.50.01.10
4	3		washer DIN 9021 - M5		02.79.05.31.20.20
5	1	195101	bracket for abduction wedge		19.50.03.02.00.10
6	1	195103	weldment clamper		19.50.02.01.00.10
7-12	1	684004	clamping set for posterior truss pad or abduction wedge		XXXXXXXXXXXX
7	1		5-star knob \varnothing 50 - M8 internal thread, black		04.05.35.34.00.40
8	1				
9	1		hexagon nut DIN 934 - M8		02.19.00.80.01.20
10	1				28.00.31.01.00.01
11	1				68.40.04.04.00.51
12	1		hexagon nut self-locking low form DIN 985 - M6		02.32.00.60.01.20
13-14	1	195102	weldment holder abduction wedge		19.50.01.01.00.10
14	2				01.43.07.88.62.60
15-19	1	400105	universal leg support socket for combination abduction wedge with therapy table incl. mounting set		40.01.01.05.00.28
16	1		setscrew with hexagon socket DIN 913, M6x12		01.67.08.49.61.20
17	2		hexagon screw DIN 933 - M5x16		01.04.07.92.02.40
18	2		lock washer S5		02.99.10.50.01.10
19	2		washer DIN 125 - A 5,3		02.61.05.31.01.20

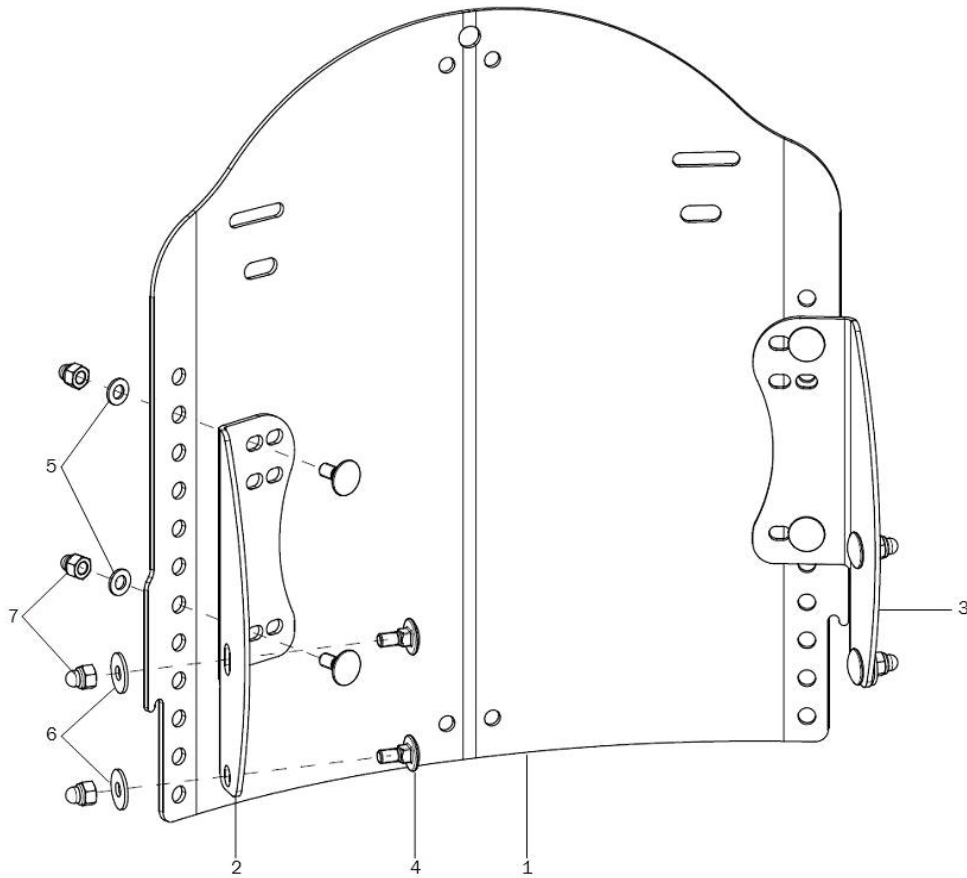
Therapy table





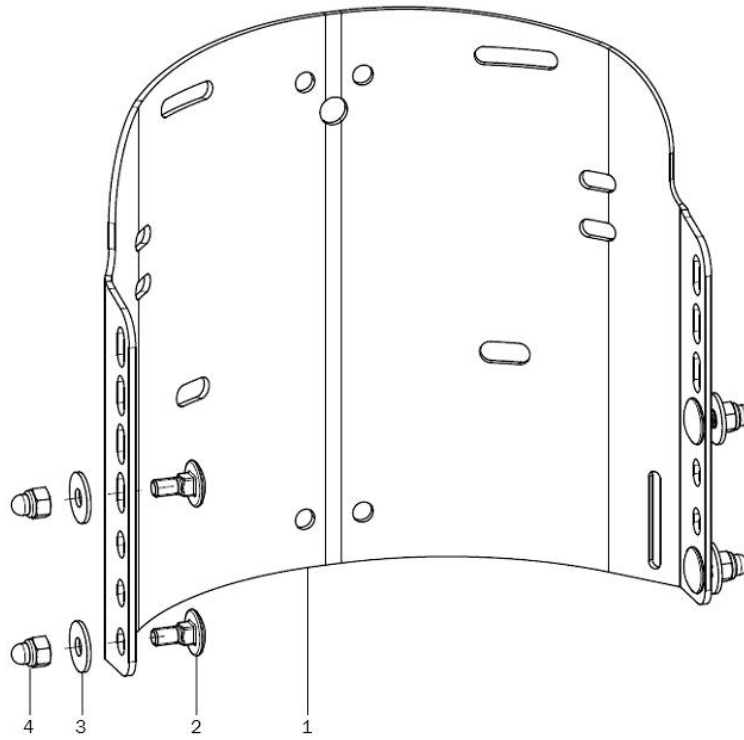
pcs.	Q/1	item no.	Product name:	Variant:	drawing no.
1-19	1	920910/11	therapy table compl 1-12		XXXXXXXXXXXXX
1-7	1				
1	1	920016	therapy table size 0 (B39xT33) polycarbonate		92.00.16.01.00.72
o.B.	1	920030	therapy table size 1 (B45xT36) polycarbonate		92.00.10.01.00.51
2	1	920901	holder for therapy table incl. mounting set		92.09.01.01.00.72
3-5	1	92090199	mounting set for holder		XXXXXXXXXXXXX
3	6		counter sunk screw with hexagon socket DIN 7991 M5x16		01.65.07.92.05.00
4	2		plugs for tube \varnothing 22x1-2, black		04.63.10.22.00.10
5	1	650050	clamp lever adjustable M8x16, black		04.13.10.80.16.50
6-7	1	920902	cone rod 450 incl. plugs		92.08.03.04.00.24
7	2		plugs for square tubes, black 15x15		04.63.11.15.00.10
8-10	1	920802	adapter 220x85 incl. mounting set		92.08.02.01.00.24
9	1		plugs for square tubes, black 15x15		04.63.11.15.00.10
10	1		setscrew with hexagon socket DIN 913, M6x12		01.67.08.49.61.20
11-13	1	400105	universal leg support socket for combination abduction wedge with therapy table incl. mounting set		40.01.01.05.00.28
12	2		counter sunk screw with hexagon socket DIN 7991 M5x10		01.65.07.88.05.00
13	1		clamp lever adjustable M6x16, black		04.13.10.60.16.50
14-18	1	40190303	leg support crossbar		40.19.03.03.00.72
altern.	1	40250304	crossbar		40.25.03.04.00.73
15	2				01.43.08.58.65.00
16	2		lens head screw with hexagon socket M6x16		01.43.08.52.65.00
17	4		washer reinforced \varnothing 14/6,2x2		58.30.15.01.00.24
18	4		hexagon nut self-locking low form DIN 985 - M6		02.32.00.60.01.20
19	1	40190104	leg support holder - short angle		40.19.02.01.00.72

Curved back plate

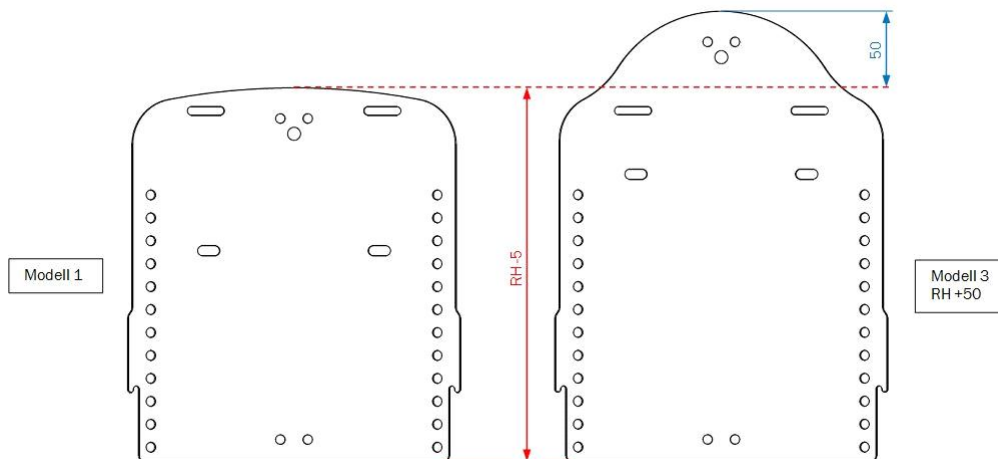


pcs.	Q/1	item no.	Product name:	Variant:	drawing no.
1	1	69730200			69.73.02.00.00.73
o.B.	1	69730100			69.73.01.00.00.73
2	1	69730502	back angle right		69.73.05.01.02.73
o.B.	1	69730504	back angle BH 17,5 right		69.73.06.01.02.73
3	1	69730501	back angle left		69.73.05.01.01.73
o.B.	1	69730503	back angle BH 17,5 left		69.73.06.01.01.73
4-7	1	69730599	mounting set back angle		XXXXXXXXXXXX
4	8		round-head screw DIN 6003 M5x12		01.11.07.89.00.40
5	4		washer DIN 125 - A 5,3		02.61.05.31.01.20
6	4		washer DIN 9021 - M5		02.79.05.31.20.20
7	8		hexagon cap nut low form with clamp DIN 986 - M5		02.33.00.60.21.20

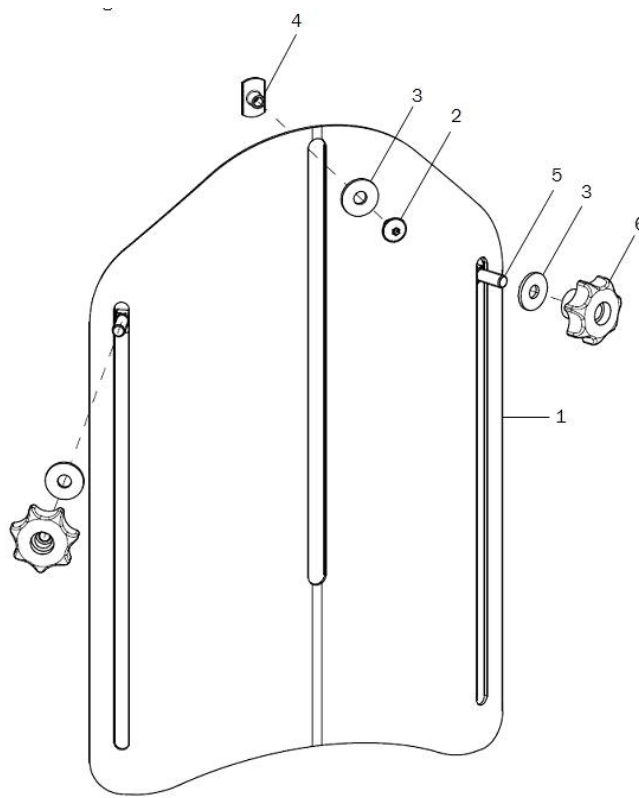
Curved back plate, single piece



pcs.	Q/1	item no.	Product name:	Variant:	drawing no.
1	1	697303	firm curved back plate one piece, model 1, depth 50 mm Mio		69.73.03.00.00.73
o.B.	1	697304	firm curved back plate one piece, model 3, BH + 5cm depth 50 mm Mio		69.73.04.00.00.73
2-4	1	69730499	mounting set curved back plate		XXXXXXXXXXXX
2	4		round-head screw DIN 6003 M5x12		01.11.07.89.00.40
3	4		washer DIN 9021 - M5		02.79.05.31.20.20
4	4		hexagon cap nut low form with clamp DIN 986 - M5		02.33.00.60.21.20



Back elongation



pcs.	Q/1	item no.	Product name:	Variant:	drawing no.
1-6	1	697307	back extension complete		
1	1	697308	back extension incl. Velcro strap		
2-6	1	68607299	mounting set back extension		XXXXXXXXXXXX
2	1		lens head screw with hexagon socket M5x8		01.43.07.87.62.60
3	3		washer DIN 9021- 6,4- PA		02.79.06.41.60.70
4	1		weld nut C- M5x7,5		02.49.33.03.00.10
5	2		round-head screw DIN 6003 M6x20		01.11.08.54.00.40
6	2		7-star knob ø32 - M6 internal thread continuous, black		04.05.37.64.20.30

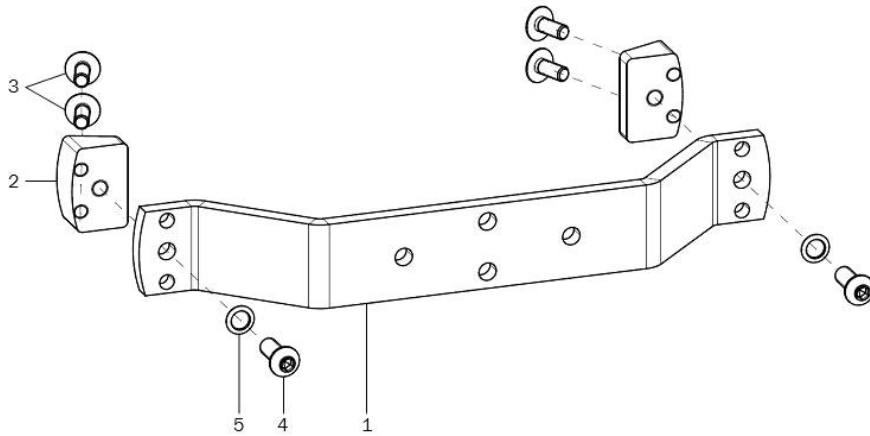
Cushion for curved back plate

pcs.	Q/1	item no.	Product name:	Variant:	drawing no.
o.B.	1	8517	back cushion 3cm with zipper		XXXXXXXXXXXX
o.B.	1	8517XX	cover for back cushion		XXXXXXXXXXXX
o.B.	1	891104	anatomical back (3cm) incl. changeable cover		
o.B.	1	891106	anatomical back (5cm) incl. changeable cover		
o.B.	1	8911XX	cover for anatomical back		XXXXXXXXXXXX
o.B.		68607201	head rest pad incl. cover for back extension		

Stoffmuster	XX
Betex schwarz	20
Betex blau	21
Betex rot	22
Betex grau	23
Betex grün	24
Betex gelb	25
Betex orange	27

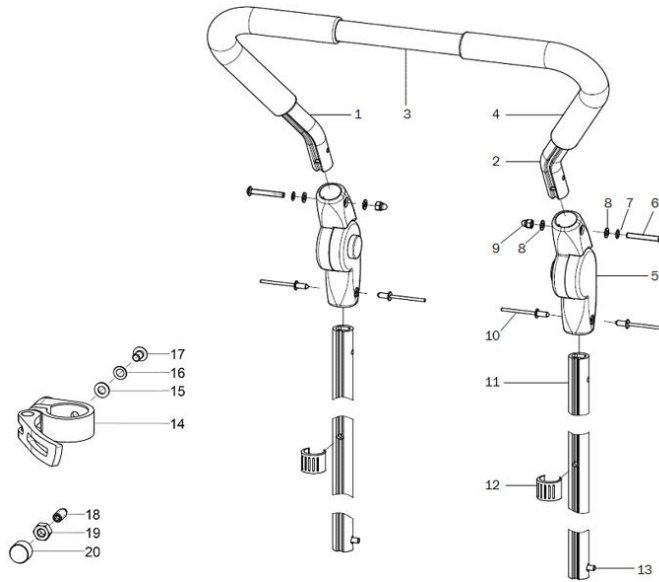
Alle Stoffmuster können unter www.sorgrollstuhltechnik.de angesehen werden.

Stabilizer bar



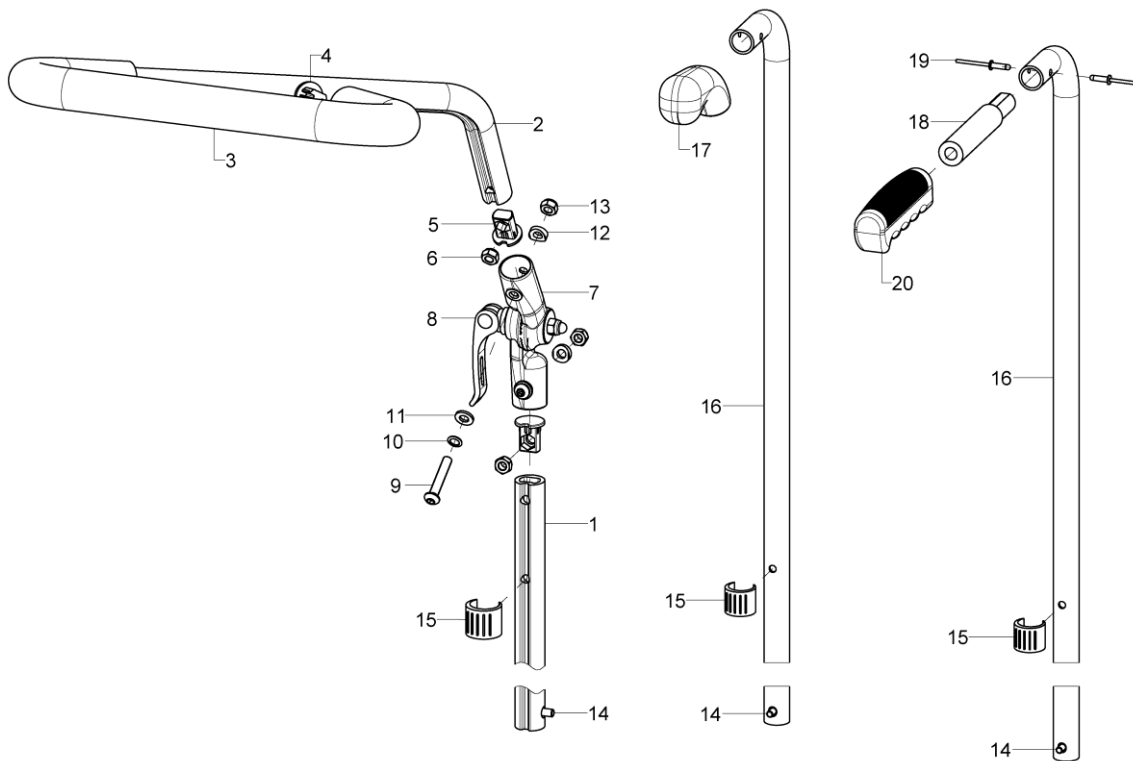
pcs.	Q/1	item no.	Product name:	Variant:	drawing no.
1	1	6410	stabilizer bar		64.01.01.XX.00.29
2	2	647302	wedge for stabilizer bar MR 20-30 mm		64.73.01.01.00.73
o.B.	2	647305	wedge for stabilizer bar Mr 50 mm		64.73.01.02.00.73
3	4		lens head screw with hexagon socket M5x12		01.43.07.89.65.00
4	2		lens head screw with hexagon socket ISO 7380 - M6x16		01.42.08.52.65.00
5	2		lock washer S6		02.99.10.60.01.10

Push bow, extendable



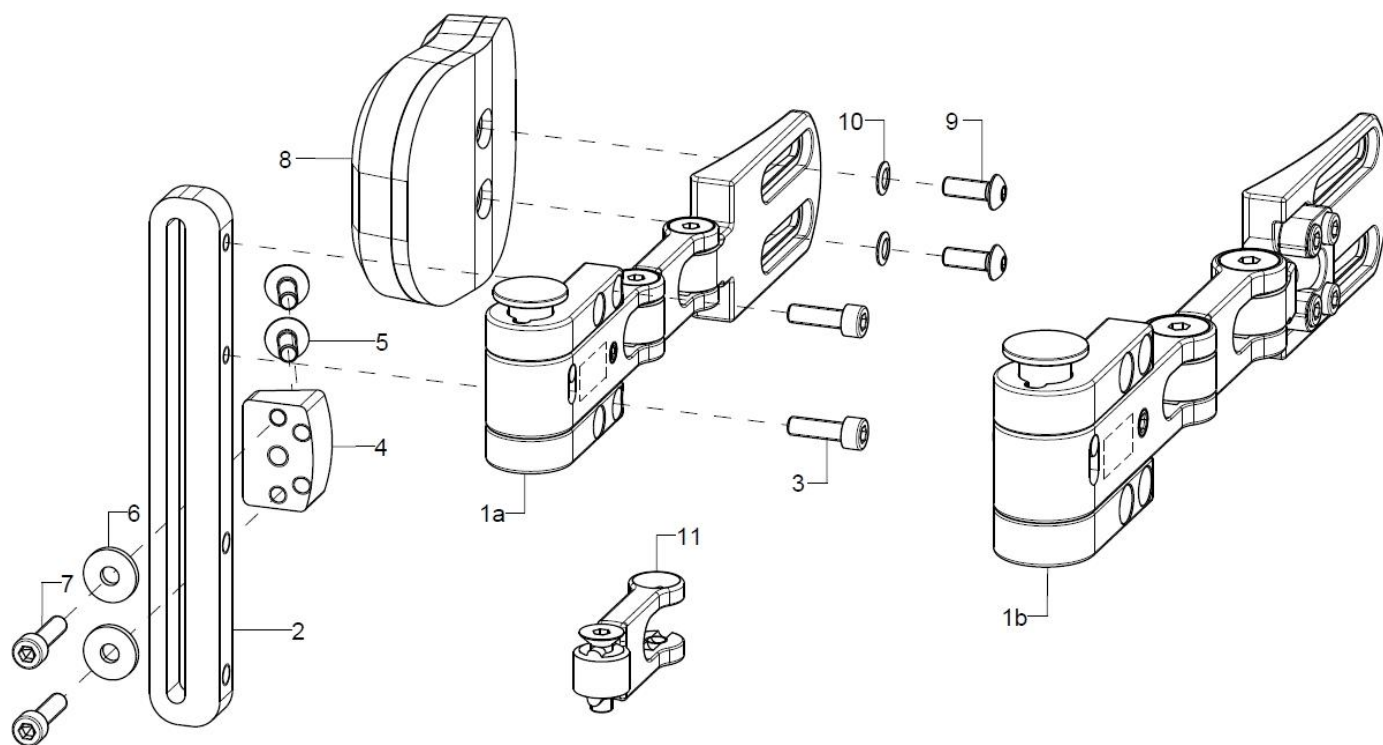
pcs.	Q/1	item no.	Product name:	Variant:	drawing no.
1-13	1	6534	push bail extendable by 22 cm, 205° angle adjustment synthetic joint, complete		XXXXXXXXXXXX
1-4	1	653002	push bail cropped pre-assembled		XX.XX.XX.XX.XX
1	1	653006	push bail left part		65.30.01.02.01.47
2	1	653007	push bail right part		65.30.01.02.02.47
3	1	653004	steel tube incl. riveting		65.30.01.04.00.24
4	2	653005	tube cover - rubber 260 mm		65.30.03.01.00.47
5-10	2	653403	synthetic joint with push knob 205° incl. mounting set		04.03.01.20.01.00
6	1		lens head screw with hexagon socket ISO 7380 - M5x35		01.42.07.99.65.00
7	1		lock washer S5		02.99.10.50.01.10
8	2		washer DIN 125 - A 5,3		02.61.05.31.01.20
9	2		hexagon cap nut low form with clamp DIN 986 - M5		02.33.00.60.21.20
10	2		blind rivet F5x10 A2/A2		03.64.00.50.10.30
11	2	653405	profile tube support 550		65.34.01.01.00.73
12	2	04635020001	clamp conductor black, ø 18-20		04.63.50.20.00.10
13	2	650160	locking unit for push handles		65.01.30.03.00.10
14-17	2	04551028600	support clamp JD-080 - 28,6mm, complete		04.55.10.28.60.00
15	1		washer DIN 125 - A 5,3		02.61.05.31.01.20
16	1		lock washer S5		02.99.10.50.01.10
17	1		lens head screw with hexagon socket ISO 7380 - M5x8		01.42.07.87.65.00
18-20	2	652410			
18	1				
19	1		hexagon nut DIN 934 - M6		02.19.00.60.01.20
20	1				

One hand push handle / Standard push handles



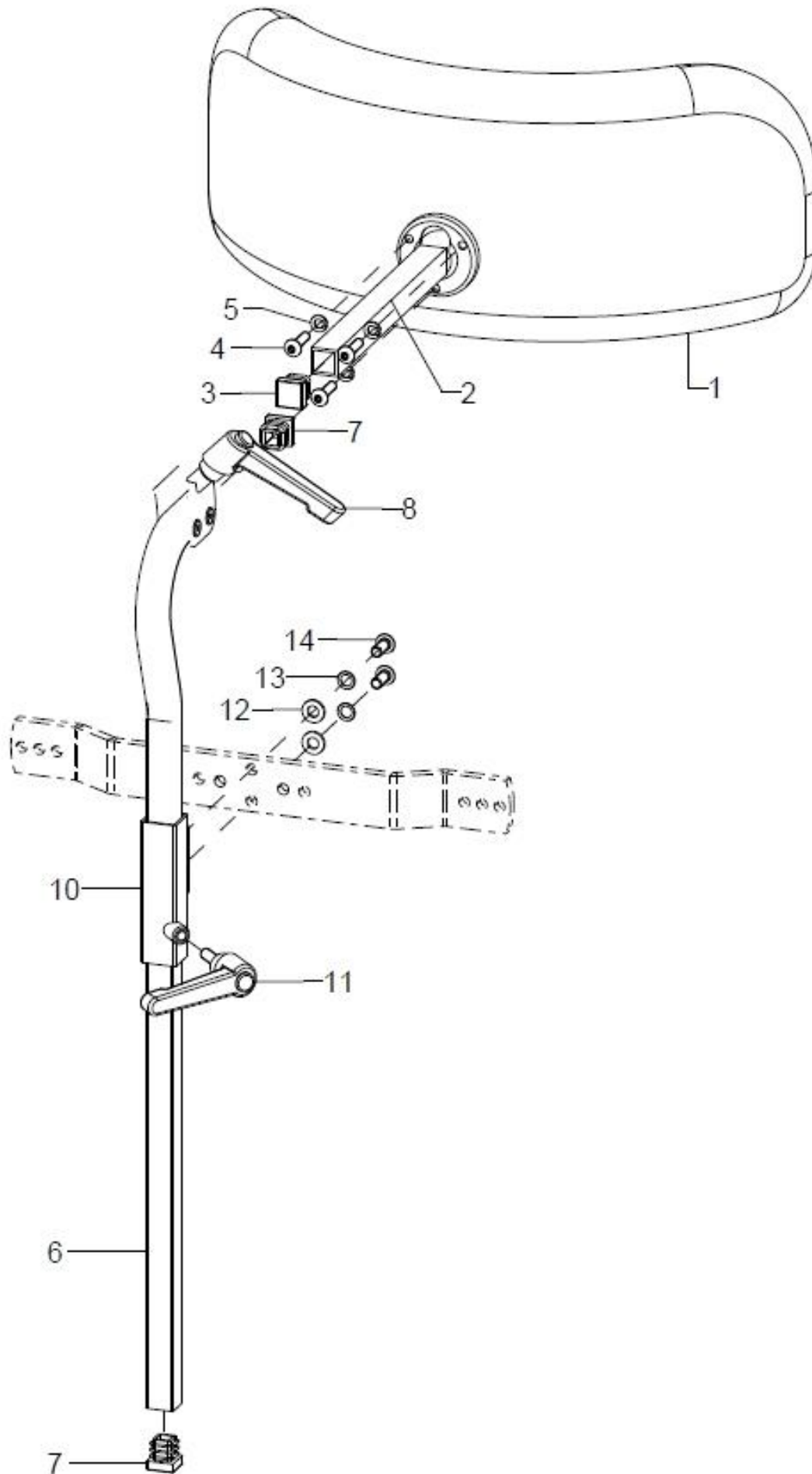
pcs.	Q/1	item no.	Product name:	Variant:	drawing no.
1-12	1	6606	one-hand push handle to flip down		XXXXXXXXXXXX
1	1	660602	one-hand push handle adjustment part		66.06.02.01.00.73
2+4	1	660603	one-hand push handle part		66.06.02.02.00.73
3	2	653003	tube cover black, L=260		04.65.19.26.00.10
4	1	620105	plug for profile tube		62.01.05.00.00.74
5-6	2	653406	plug for nut M6 incl hexagon nut		65.22.20.10.00.00
6	2		hexagon nut self-locking low form DIN 985 - M6		02.32.00.60.01.20
7-13	1	652220	angle adjusting element metal 307° compl with eccentric clamp and mounting set		65.22.20.99.00.10
8	1	652224	eccentric clamp length 35 mm M6x20, black (incl. spring, nut, washer, bush)		04.13.40.60.35.10
9	2		lens head screw with hexagon socket ISO 7380 - M6x35		01.42.08.59.65.00
10	2		lock washer S6		02.99.10.60.01.10
11	2		washer DIN 125 - A 6,4		02.61.06.41.41.20
12	2		saddle washer Ø12/6x2,5		35.04.16.01.00.10
13	2		hexagon nut self-locking low form DIN 985 - M6		02.32.00.60.01.20
14	1	650160	locking unit for push handles		65.01.30.03.00.10
15	1	04635020001	clamp conductor black, Ø 18-20		04.63.50.20.00.10
14-17	2	6524	standard push handles complete		XXXXXXXXXXXX
14-16+18-20	2	652401	standard push handle for brake handle attachment complete		XXXXXXXXXXXX
16	1	652402			
17	1	650021	handle PVC soft, curved, Ø20 mm		62.37.03.05.00.69
18-19	1	65240201	push handle extension incl. blind rivet		65.24.02.01.00.73
19	2		blind rivet F4x12 VVG		03.64.00.40.12.60
20	1	650020	handle PVC black, straight without base		65.00.20.01.04.10

Truss peads Stealth from BH 35cm

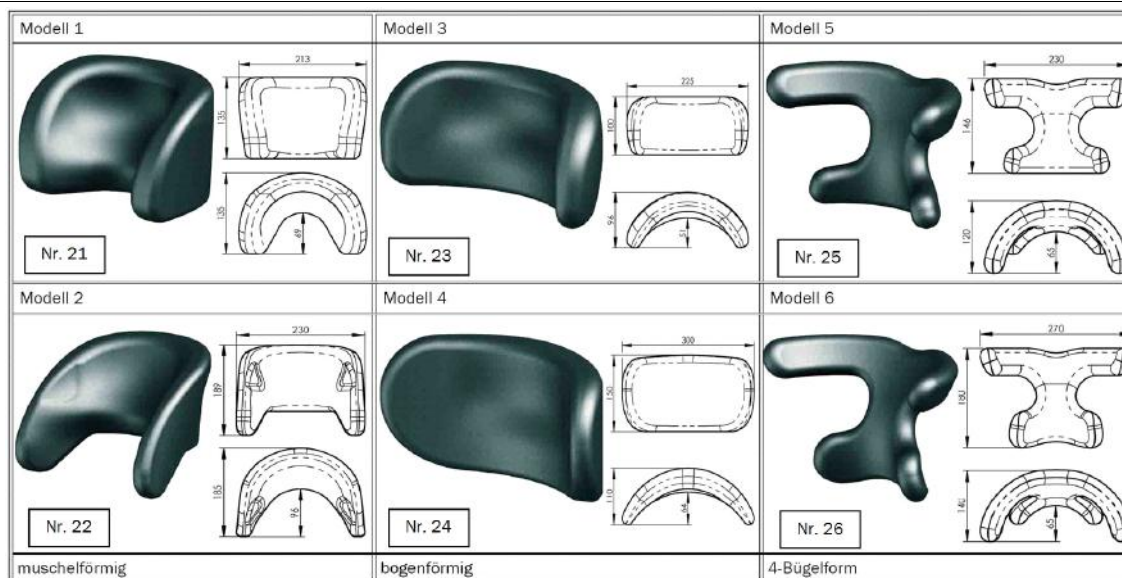


pcs.	Q/1	item no.	Product name:	Variant:	drawing no.
1a	1	68590102			68.59.01.00.02.00
o.B.	1	68590101			68.59.01.00.01.00
1b	1	68590202			68.59.02.00.02.00
o.B.	1	68590201			68.59.02.00.01.00
2-7	1	68590110			68.59.01.10.90.00
2	1				68.59.01.14.00.00
3	2		cylinder head screw DIN 912 M5x16		01.22.07.92.72.40
o.B.	2		cylinder screw DIN 912 M6x16		01.22.08.52.62.40
4	1	647302	wedge for stabilizer bar MR 20-30 mm		64.73.01.01.00.73
o.B.	1	647305	wedge for stabilizer bar Mr 50 mm		64.73.01.02.00.73
5	2		lens head screw with hexagon socket M5x12		01.43.07.89.65.00
6	2		washer DIN 7349 - 5,3		02.77.05.22.00.20
7	2		cylinder screw DIN 912 M5x20		01.22.07.94.72.40
8-10	1	68590104			68.59.01.21.00.00
o.B.	1	68590105			68.59.01.22.00.00
o.B.	1	68590204			68.59.01.23.00.00
o.B.	1	68590205			68.59.01.24.00.00
9	2		lens head screw with hexogon socket ISO 7380 - M5x14		01.42.07.90.65.00
o.B.	2		lens head screw with hexagon socket ISO 7380 - M6x16		01.42.08.52.65.00
10	2		lock washer S5		02.99.10.50.01.10
o.B.	2		lock washer S6		02.99.10.60.01.10
11	1	68590103			68.59.01.15.00.00
o.B.	1	68590203			68.59.02.15.00.00

Head rest



pcs.	Q/1	item no.	Product name:	Variant:	drawing no.
1-14	1	686021			
altern.	1	686022			
altern.	1	686023			
altern.	1	686024			
altern.	1	686025			
altern.	1	686026			
1-5	1	686031	head rest cushion model 1, 213x145 mm shell form complete		68.60.15.99.00.10
altern.	1	686032	head rest cushion model 2, 220x189 mm shell form complete		68.60.18.99.00.10
altern.	1	686033	head rest model 3, 225x100 curved complete		68.60.16.99.00.10
altern.	1	686034	head rest model 4, 300x150 curved complete		68.60.19.99.00.10
altern.	1	686035	head rest model 5, 230x120 , 4-curved complete		68.60.20.99.00.10
altern.	1	686036	head rest model 5, 20x140 , 4-curved complete		68.60.21.99.00.10
2	1				
3	1		plugs for square tubes, black 15x15		04.63.11.15.00.10
4	3		lens head screw with hexagon socket ISO 7380 - M5x20		01.42.07.94.65.00
5	3		spring ring DIN 127 - A 5		02.85.30.50.05.10
6-8	1	68600801			68.60.08.99.01.00
7	2		plugs for square tubes, black 15x15		04.63.11.15.00.10
8	1	403110	clamp lever adjustable M6x20, black		04.13.10.60.20.50
10-14	1	68600804			68.60.08.04.00.00
11	1	403110	clamp lever adjustable M6x20, black		04.13.10.60.20.50
12	2		washer DIN 125 - A 6,4		02.61.06.41.41.20
13	2		lock washer S6		02.99.10.60.01.10
14	2				

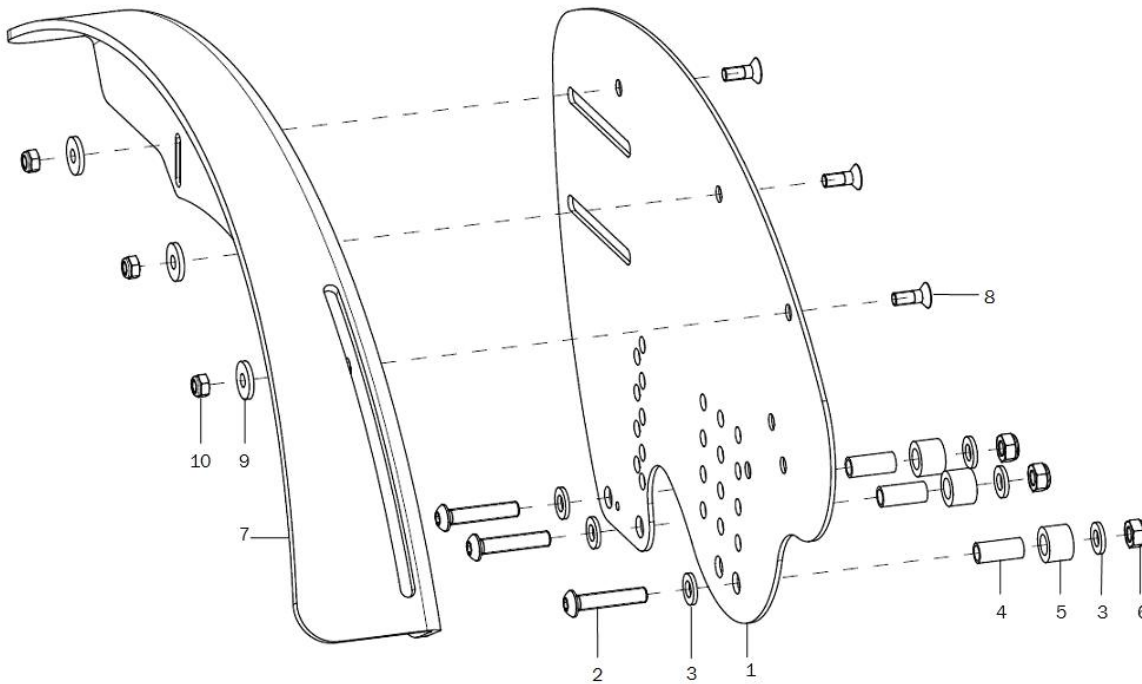


Light weigh headrest



pcs.	Q/1	item no.	Product name:	Variant:	drawing no.
1-16	1	68600920			
o.B.	1	68600921			
1-4	1	68600906			68.60.09.06.00.00
2	1	403110	clamp lever adjustable M6x20, black		04.13.10.60.20.50
3	1		lens head screw with hexagon socket ISO 7380 - M6x20		01.42.08.54.05.00
4	2		washer DIN 125 - A 6,4		02.61.06.41.41.20
5-15	1	68600918			
5-6	1	68600901			68.60.09.01.00.00
6	1				04.63.11.10.00.10
8	1	68600903			68.60.09.03.00.00
9	1		cylinder screw DIN 912 M6x25		01.22.08.56.02.40
10	2		lock washer S6		02.99.10.60.01.10
11	1				01.22.08.54.05.00
12	1	68600904			68.60.09.04.00.00
13	1		lens head screw with hexagon socket ISO 7380 - M6x30		01.42.08.58.65.00
14	2		washer DIN 125 - A 6,4		02.61.06.41.41.20
15	1		hexagon cap nut low form with clamp DIN 986 - M6		02.33.00.60.11.20
13-16	1	68600910			
o.B.	1	68600911			

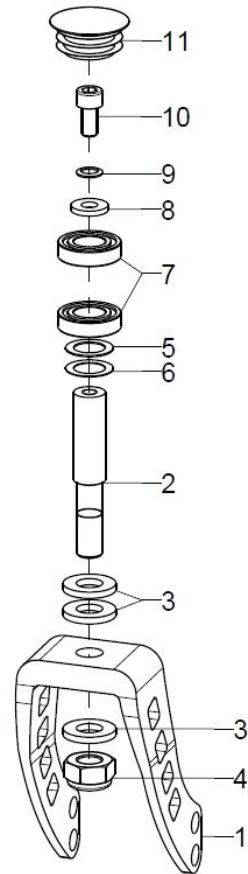
Activity side guard



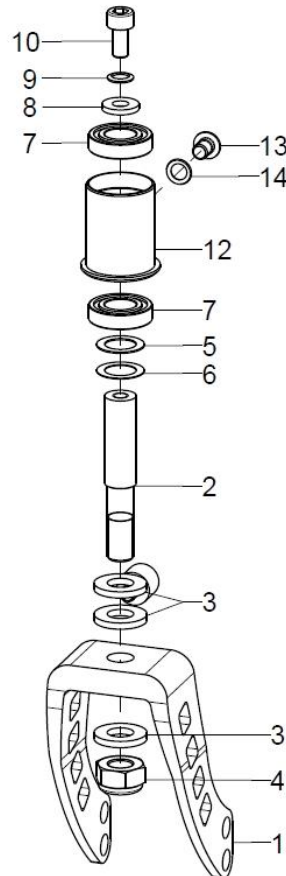
pcs.	Q/1	item no.	Product name:	Variant:	drawing no.
1	1		side guard 18" SD 18-22, right		45.03.05.00.02.73
o.B.	1		side guard 18" SD 18-22, left		45.03.05.00.01.73
o.B.	1	45030102	side guard 20"/22" SD 18-22, right		45.03.01.00.02.73
o.B.	1	45030101	side guard 20"/22" SD 18-22, left		45.03.01.00.01.73
o.B.	1	45030202	side guard 20"/22" SD 24-30, right		45.03.02.00.02.73
o.B.	1	45030201	side guard 20"/22" SD 24-30, left		45.03.02.00.01.73
o.B.	1	45030302	side guard 24" SD 18-22, right		45.03.03.00.02.73
o.B.	1	45030301	side guard 24" SD 18-22, left		45.03.03.00.01.73
o.B.	1	45030402	side guard 24" SD 24-30, right		45.03.04.00.02.73
o.B.	1	45030401	side guard 24" SD 24-30, left		45.03.04.00.01.73
2-6	2	450399	mounting set side guard		XXXXXXXXXXXX
2	3		lens head screw with hexagon socket ISO 7380 - M6x30		01.42.08.58.65.00
3	6		washer DIN 125 - A 6,4		02.61.06.41.41.20
4	3		spacer bushing 18,4 mm		45.03.10.00.00.73
5	3				45.03.11.00.00.73
6	3		hexagon nut self-locking low form DIN 985 - M6		02.32.00.60.01.20
7	1	50220102	wheel cover 20" right		50.22.01.01.02.72
o.B.	1	50220101	wheel cover 20" left		50.22.01.01.01.72
o.B.	1	50220202	wheel cover 22" right		50.22.01.02.02.72
o.B.	1	50220201	wheel cover 22" left		50.22.01.02.01.72
o.B.	1	50220302	wheel cover 24" right		50.22.01.03.02.72
o.B.	1	50220301	wheel cover 24" left		50.22.01.03.01.72
8-10	2	502299			
8	3		counter sunk screw with hexagon socket DIN 7991 M5x14		01.65.07.90.05.00
9	3		washer DIN 7349 - 5,3		02.77.05.22.00.20
10	3		hexagon nut self-locking low form DIN 985 - M5		02.32.00.50.01.20

Caster wheel fork

Stier-Rahmen



Retro-Rahmen

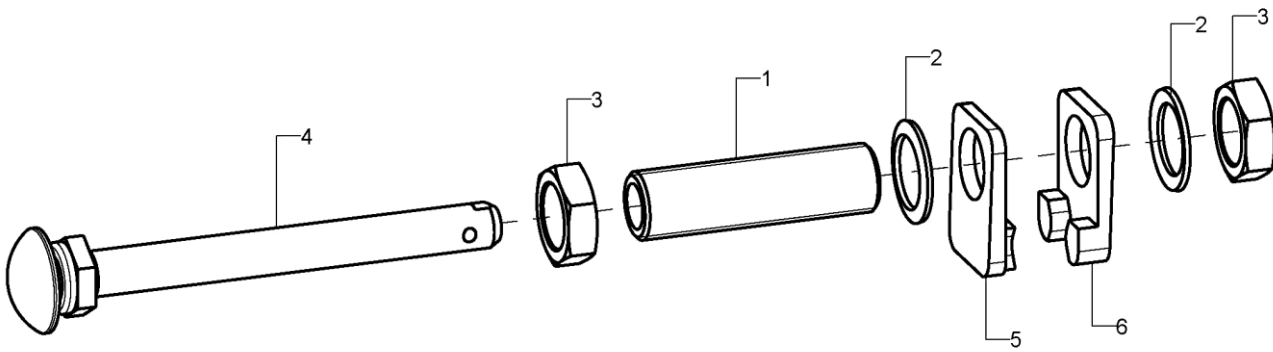


pcs.	Q/1	item no.	Product name:	Variant:	drawing no.
1	2	2843	caster fork aluminum 100x45		28.43.01.00.00.10
2	2	282104	steering axle $\varnothing 12 \times 65$, 1		28.21.05.01.00.10
3-4	2	282120	mounting set caster axle on caster fork aluminum (washers, hexagon nut)		28.21.20.01.01.00
3	3		washer DIN 1440 -10x20x2,5		02.71.10.02.50.20
4	1		hexagon nut self-locking low form DIN 985 - M10		02.32.01.00.01.20
5-11	2	282127			
5	1		fitted washer DIN 988 - 12x18x0,5		02.68.12.00.50.30
6	1		fitted washer DIN 988 - 12x18x0,3		02.68.12.00.30.30
7	2		grooved ball bearing $\varnothing 24/12 \times 6$		04.32.12.06.00.10
8	1		washer reinforced $\varnothing 14/6,2 \times 2$		58.30.15.01.00.24
9	1		lock washer S6		02.99.10.60.01.10
10	1		cylinder screw DIN 912 M6x12		01.22.08.49.62.40
11	1	282129			04.63.10.30.00.11
6-8+12-14	2	282125	mounting set caster axle for Mio Retro		XXXXXXXXXXXX
12	1				28.00.73.01.00.73
13	1		lens head screw with hexagon socket ISO 7380 - M6x8		01.42.08.47.65.00
14	1		lock washer S6		02.99.10.60.01.10

Caster wheels

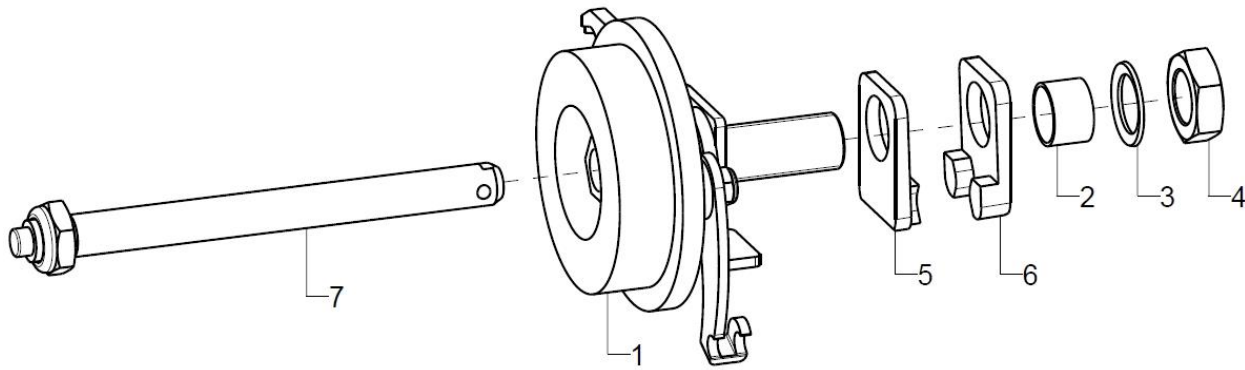
pcs.	Q/1	item no.	Product name:	Variant:	drawing no.
o.B.	2	2812	caster 4", PU		
o.B.	2	2804	steering wheel 4 solid rubber		
o.B.	2	2820	caster 4" PU with LED		
o.B.	2	2835	caster 4" solid rubber black with aluminum rim		04.52.41.04.00.31
o.B.	2	2805	caster 5" PU		
o.B.	2	2809	caster 5" soft solid rubber		
o.B.	2	2834	caster 5" PU, transparent with LED		
o.B.	2	2836	caster 5" solid rubber black with aluminum rim		04.52.41.05.00.61
o.B.	2	289998			

Quick release fitting



pcs.	Q/1	item no.	Product name:	Variant:	drawing no.
1-3	1	210026	axle adapter M18x1 d12,7 65mm incl. mounting set		04.51.61.26.52.02
2	2		lock washer S18		02.99.11.80.01.10
3	2		hexagon nut M18x1		02.19.01.30.11.21
4	2	210003	quick-release axle 12,7x103 mm for standard hub from 5/2013 and light weight wheel		04.51.51.21.00.31
5	1	20151201			20.15.12.01.00.73
6	1	20151202			20.15.12.02.00.73

Drum brake anchor

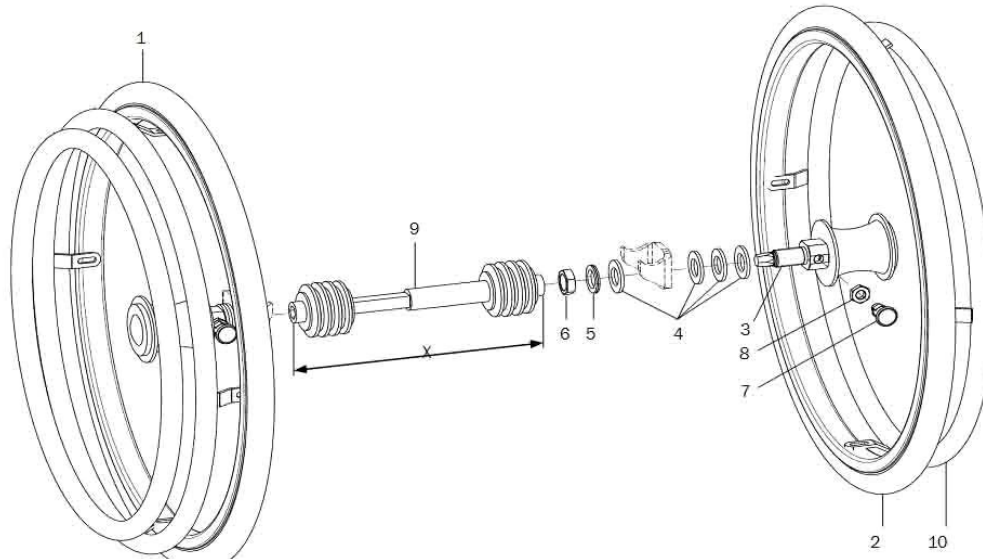


pcs.	Q/1	item no.	Product name:	Variant:	drawing no.
1-4	2	220005	drum brake body complete, incl. adapter and counter wrench		22.00.01.99.00.10
o.B.	2	220013	drum brake anchor pre-assembled		
2	2				
3	2		lock washer S16		02.99.11.60.01.10
4	2		nut M16x1 SW 24		02.19.01.60.11.21
5+6	2	201516	camber adjustment unit		20.15.12.01.00.73
6	2				20.15.12.02.00.73
7	1	220001	quick-release axle D12x123mm for drum brake		04.51.51.21.20.30

Rear wheel

pcs.	Q/1	item no.	Product name:	Variant:	drawing no.
o.B.	2	212000	driving wheel 20" with standard hub		
o.B.	2	212200	22" driving wheel with standard hub		
o.B.	2	212400	24" driving wheel standard hub		
o.B.	2	222000	20" driving wheel with drum brake		
o.B.	2	222200	22" driving wheel with drum brake		
o.B.	2	222400	24" driving wheel standard with drum brake		
o.B.	2	212040	20" profile wheel with built-in hand rim, standard hub		
o.B.	2	212240	22" profile wheel with built-in hand rim, standard hub		
o.B.	2	212440	24" profile wheel with built-in hand rim, standard hub		
o.B.	2	222040	20" profile wheel with built-in hand rim with drum brake		
o.B.	2	222240	22" profile wheel with built-in hand rim with drum brake		
o.B.	2	222440	24" profile wheel with built-in hand rim with drum brake		
o.B.	2	212077	20" lightweight wheel with hand rim, standard		
o.B.	2	212277	22" lightweight wheel with hand rim, standard		
o.B.	2	212477	24" lightweight wheel with hand rim, standard		
o.B.	2	212081	20" lightweight wheel with drum brake hub, black		
o.B.	2	212281	22" lightweight wheel with drum brake, black		
o.B.	2	212481	24" lightweight wheel with drum brake, black		
o.B.	2	200011	groove ball bearing \varnothing 28/12 6001z		04.32.12.08.00.10

Double handrim Standard



pcs.	Q/1	item no.	Product name:	Variant:	drawing no.
1-9	1	261401	double handrim 20" standard hub incl. drag anchor, brake arm and telescope rod		XXXXXXXXXX
1-9	1	261403	double handrim 22" standard hub incl. drag anchor, brake arm and telescope rod		XXXXXXXXXX
1-9	1	261405	double handrim 24" standard hub incl. drag anchor, brake arm and telescope rod		XXXXXXXXXX
1+3-9	1	261440	20" double handrim driving wheel standard hub, driving side		XXXXXXXXXX
1+3-9	1	261442	22" double handrim driving wheel standard hub, driving side		XXXXXXXXXX
1+3-9	1	261444	24" double handrim driving wheel standard hub, driving side		XXXXXXXXXX
2-8	1	261441	20" double handrim driving wheel standard hub, opposite side		XXXXXXXXXX
2-8	1	261443	22" double handrim driving wheel standard hub, opposite side		XXXXXXXXXX
2-8	1	261445	24" double handrim driving wheel standard hub, opposite side		XXXXXXXXXX
3-8	2	261429	mounting set DHR drum brake 3-8		XXXXXXXXXX
3	1				
4	4		washer DIN 125 - B 19		02.61.19.02.72.20
5	1		lock washer M18 (Nord-Lock)		02.99.21.95.01.10
6	1		hexagon nut M18x1		02.19.01.30.11.21
7	1		latch $\varnothing 6/M10 \times 1 \times 31$ with lock		04.14.43.60.02.00
8	1		hexagon nut DIN 934 - M10		02.19.01.00.01.20
9	1	2614XX	telescoping tube for double handrim		
10	1	261430	hand rim for other side 20"		XXXXXXXXXX
o.B	1	261431	hand rim for other side 22"		XXXXXXXXXX
o.B	1	261432	hand rim for other side 24"		XXXXXXXXXX

Telescopic rod

pcs.	Q/1	item no.	Product name:	Variant:	drawing no.
		261410	telescope rod 170 - 195 mm		
		261412	telescope rod 195 - 235 mm		
		261413	telescope rod 220 - 275 mm		
		261414	telescope rod 255 - 315 mm		

Tyres

pcs.	Q/1	item no.	Product name:	Variant:	drawing no.
o.B.	2	202013	tire for pneumatic tube 20x1" Right Run, grey/black		
o.B.	2	202213	tire for pneumatic tube 22x1" Right Run, grey/black		
o.B.	2	202413	tire for pneumatic tube 24x1" Right Run, grey/black		
o.B.	2	202414	tire for pneumatic tube 24x1" Right Run blue/black		
o.B.	2	202415	tire for pneumatic tube 24x1" Right Run red/black		
o.B.	2	232011	puncture proof tires 20x1"		
o.B.	2	232211	puncture proof tires 22x1"		
o.B.	2	232411	puncture proof tires 24x1"		
o.B.	2	232012			04.61.22.00.10.11
o.B.	2	232212			04.61.22.20.10.11
o.B.	2	232412			04.61.22.40.10.11
o.B.	2	202212	tire for pneumatic tube 22x1" Marathon plus, black		
o.B.	2	202412	tire for pneumatic tube 24x1" Marathon plus, black		
o.B.	2	200520	tube 20"		
o.B.	2	200522	tube 22"		
o.B.	2	200524	tube 24"		

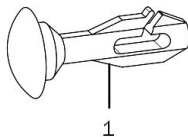
Handrims

pcs.	Q/1	item no.	Product name:	Variant:	drawing no.
o.B.	2	302101	handrim 20" high, stainless steel polished		
o.B.	2	302201	handrim 22" standard, stainless steel polished		
o.B.	2	302301	handrim 22" high, stainless steel polished		
o.B.	2	302401	handrim 24" standard, stainless steel polished		
o.B.	2	302501	handrim 24" high, stainless steel polished		
o.B.	2	302102	handrim 20" high, aluminum coated		
o.B.	2	302202	handrim 22" standard, aluminum coated		
o.B.	2	302302	handrim 22" high, aluminum coated		
o.B.	2	302402	handrim 24" standard, aluminum coated		
o.B.	2	302502	handrim 24" high, aluminum coated		
o.B.	2	3420	Maxgrepp-handrim 20", 4 loops complete		
o.B.	2	3422	Maxgrepp-handrim 22", 4 loops complete		
o.B.	2	3424	Maxgrepp-handrim 24", 4 loops complete		
o.B.	2	3320	hand rim aluminium, 20", black, pvc coating		
o.B.	2	3322	hand rim aluminium, 22", black, pvc coating		
o.B.	2	3324	hand rim aluminium, 24", black, pvc coating		
o.B.	2	342405	handrim SURGE 24", 6 lugs		
o.B.	2	302078			
o.B.	2	302278			
o.B.	2	302478			

Handrim cover

pcs.	Q/1	item no.	Product name:	Variant:	drawing no.
o.B.	2	322004			04.67.06.20.00.20
o.B.	2	322002	handrim cover silicone black ø442		04.67.06.20.00.40
o.B.	2	322202	handrim cover silicone black ø478		04.67.06.22.00.30
o.B.	2	322205	handrim cover silicone black ø453		04.67.06.22.00.20
o.B.	2	322208	handrim cover silicone black ø388		04.67.06.22.00.10
o.B.	2	322402	handrim cover silicone black ø532		04.67.06.24.00.30
o.B.	2	322404	handrim cover silicone black ø504		04.67.06.24.00.10
o.B.	2	322405	handrim cover silicone black ø514		04.67.06.24.00.20
o.B.	2	322603	handrim cover silicone black ø565		04.67.06.24.00.40
o.B.	2	322001	handrim cover profile wheel, Ergo 20"		
o.B.	2	322201	handrim cover profile wheel, Ergo 22"		
o.B.	2	322401	handrim cover profile wheel, Ergo 24"		

Spoke cover

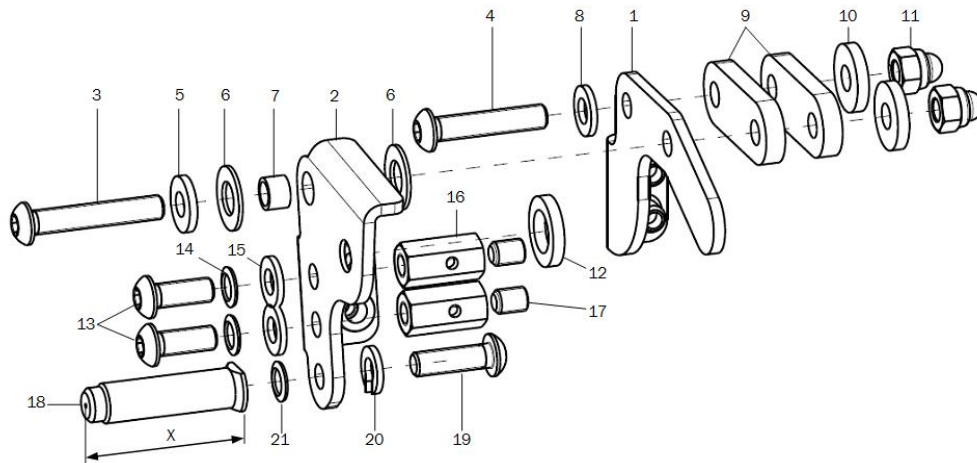


pcs.	Q/1	item no.	Product name:	Variant:	drawing no.
1	1	250001	clip for transparent spoke cover		25.00.99.01.00.10
o.B.	2	252000	spoke cover 20", Unicolor transparent		
o.B.	2	252200	spoke cover 22", Unicolor transparent		
o.B.	2	252400	spoke cover 24", Unicolor transparent		

Design-Dekor-Speichenschützer können Sie unter den folgenden Internetadressen wählen:

- www.blueprince.de
- www.speichen-schutz.de
- www.wheelchairgadgets.com

Bowden cable brake pressure piece



pcs.	Q/1	item no.	Product name:	Variant:	drawing no.
1-21	1	353302	cable brake complete right incl. user operating unit complete		XXXXXXXXXXXX
o.B.	1	353301	cable brake complete left incl. user operating unit complete		XXXXXXXXXXXX
1	1	35330302	base part combination right		35.33.01.03.02.73
o.B.	1	35330502	base part standard right		35.33.01.05.02.73
o.B.	1	35330301	base part combination left		35.33.01.03.01.73
o.B.	1	35330501	base part standard left		35.33.01.05.01.73
2	1	35330102	pressing part right		35.33.01.01.02.73
o.B.	1	35330101	pressing part left		35.33.01.01.02.73
3-17	2	35330199	mounting set Bowden cable brake		XXXXXXXXXXXX
3	1				01.42.08.59.62.60
o.B.	1		lens head screw with hexagon socket ISO 7380 - M6x40		01.42.08.60.65.00
o.B.	1		lens head screw with hexagon socket ISO 7380 - M6x45		01.42.08.61.65.00
4	1		lens head screw with hexagon socket ISO 7380 - M6x30		01.42.08.58.65.00
o.B.	1				01.42.08.59.62.60
o.B.	1		lens head screw with hexagon socket ISO 7380 - M6x40		01.42.08.60.65.00
5	1		washer reinforced Ø14/6,2x2		58.30.15.01.00.24
6	2		fender disc 8,4x16x1 PE		02.81.16.00.10.70
7	1				35.31.02.03.00.69
8	1		washer DIN 125 - A 6,4		02.61.06.41.41.20
9	2-8				35.33.01.10.00.73
10	2		washer DIN 7349 - 6,4		02.77.06.53.00.20
11	2		hexagon cap nut low form with clamp DIN 986 - M6		02.33.00.60.11.20
12	1				19.06.02.07.00.24
13	1(2)		lens head screw with hexagon socket ISO 7380 - M6x16		01.42.08.52.65.00
14	1(2)		lock washer S6		02.99.10.60.01.10
15	1(2)		washer DIN 125 - A 6,4		02.61.06.41.41.20
16	1(2)				35.31.02.06.00.69
17	1(2)		setscrew with hexagon socket DIN 913, M6x8		01.67.08.47.61.20
18-21	1	352518	brake bolt 40 mm left-hand thread incl. mounting set		35.25.01.18.00.10
o.B.	1	352506	brake bolt milled 40 mm incl. mounting set		35.25.01.15.00.10
altern.	1	352519	brake bolt 50 mm left-hand thread incl. mounting set		35.25.01.19.00.10
o.B.	1	352507	brake bolt milled 50 mm incl. mounting set		35.25.01.16.00.10
19	1		lens head screw with hexagon socket ISO 7380 , M6x20 left-hand thread		01.42.08.54.05.01
o.B.	1		lens head screw with hexagon socket ISO 7380 - M6x20		01.42.08.54.05.00

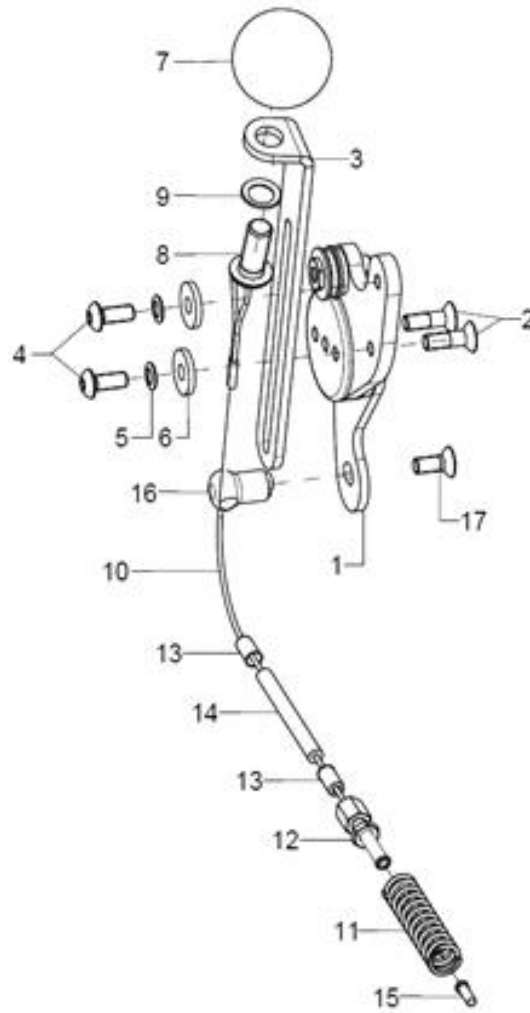


20	1	spring ring DIN 127- A6	02.85.30.60.05.10
21	1	lock washer S6	02.99.10.60.01.10

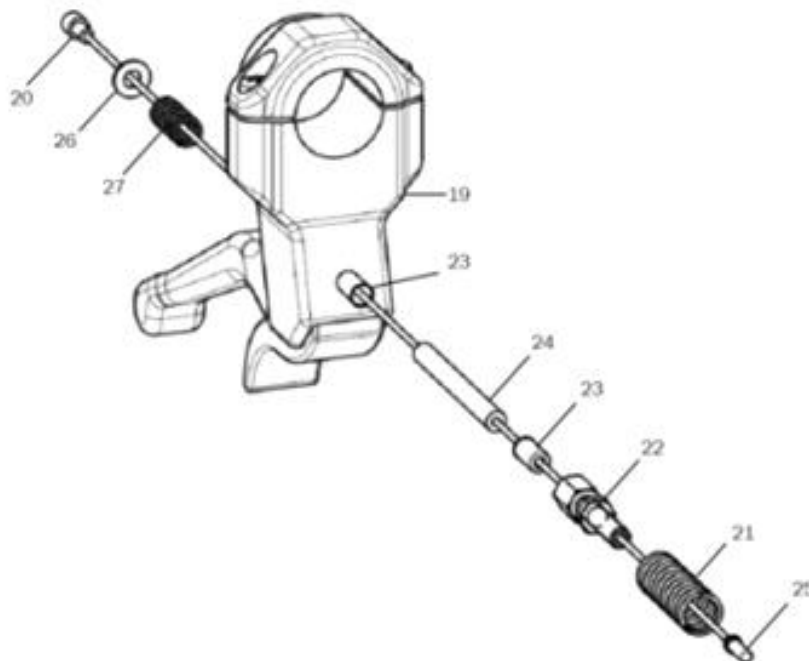
Bowden cable brake attendant and user operating unit

Seilzugbremse

Benutzerbedienteil



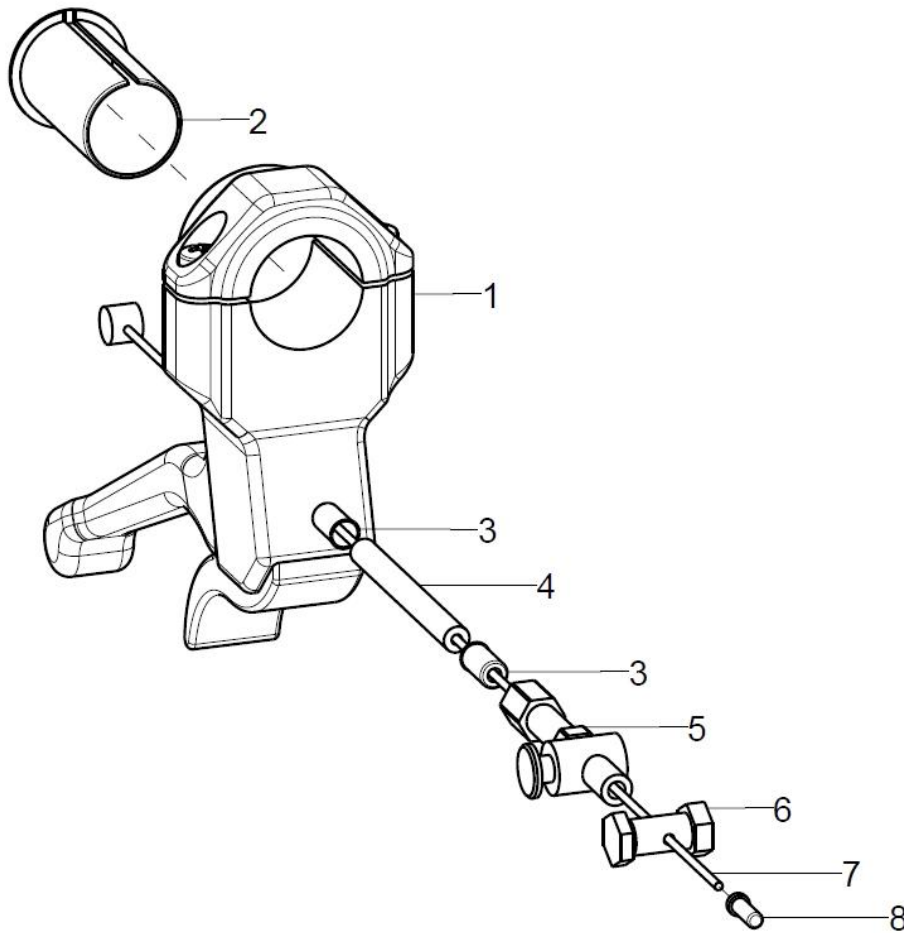
Begleiterbedienteil





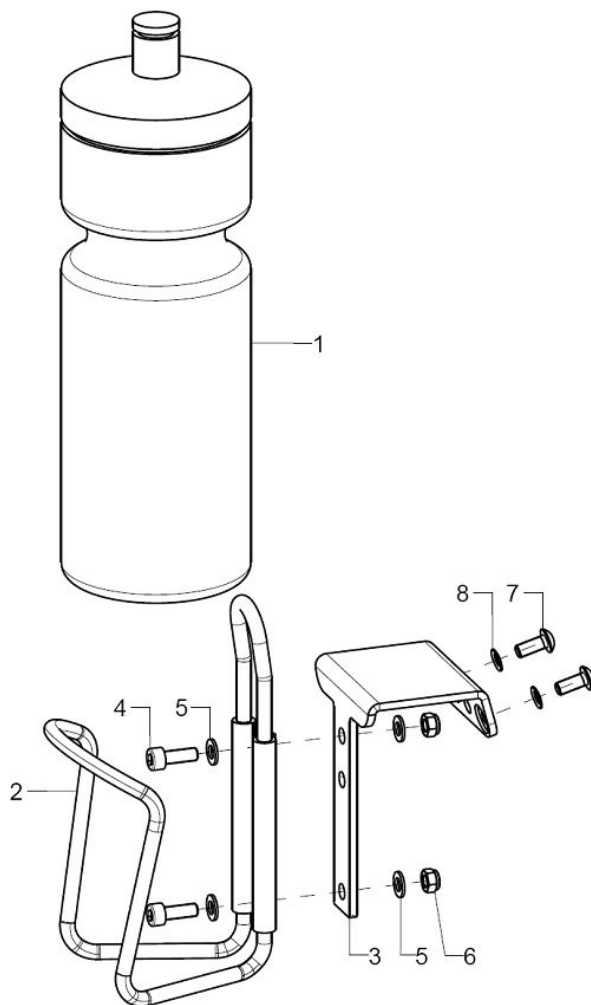
pcs.	Q/1	item no.	Product name:	Variant:	drawing no.
1- 2+16+1 7	1	35310513	operation unit Mio SD18-22 left		35.31.06.99.01.73
altern.	1	35310503	operating unit bowden cable brake left		35.31.05.99.01.72
o.B.	1	35310514	operating unit for bowden cable brake Mio left incl. screws		35.31.06.99.02.73
altern.	1	35310504	operating unit for Bowden cable brake right, premounted incl. screws		35.31.05.99.02.72
2	2		counter sunk screw with hexagon socket DIN 7991 M5x16		01.65.07.92.05.00
3	1	35300104	brake lever, 3x20,6x21x127, right		35.30.01.01.02.66
o.B.	1	35300103	brake lever, 3x20,6x21x127, left		35.30.01.01.01.66
4-9	2	35310599	mounting set brake lever extension		XXXXXXXXXXXX
4	2		lens head screw with hexagon socket ISO 7380 - M5x12		01.42.07.89.65.00
5	2		lock washer S5		02.99.10.50.01.10
6	2		washer DIN 7349 - 5,3		02.77.05.22.00.20
7	1		ball knob \varnothing 32/M8, form C, black		04.06.13.20.80.50
8	1		lens head screw with hexagon socket ISO 7380 - M8x20		01.42.09.74.65.00
9	1		lock washer S8		02.99.10.80.01.10
10-15	2	35310690	Bowden cable operating unit, complete		XXXXXXXXXXXX
10	1	35310301	bowden cable with loop 90 cm		35.31.03.01.00.69
11	1	35310508	pressure spring, 1,4x9,8x44,5		04.21.10.04.50.00
12	1	352406	setting screw for Bowden cable M5x34 mm		04.54.01.40.50.21
13	2	352412	end bush metal \varnothing 5		04.54.91.50.10.41
14	1	353113	outer shell for cable brake black 400mm		04.54.91.21.53.00
15	1	352005	end cap for inner Bowden cable \varnothing 1-1,5 mm		04.54.91.50.10.40
16	1				35.31.03.03.00.69
17	1		counter sunk screw with hexagon socket DIN 7991 M5x14		01.65.07.90.05.00
19-27	2	353110	attendant operating unit		XXXXXXXXXXXX
19	1	352010	hand brake lever for attendant brake incl. mounting set		04.54.92.22.20.10
20	1	352012	inner Bowden cable 1,5x2250		04.54.91.11.52.20
21	1	352405	press spring 1,1x9,4x44x3		04.21.09.40.44.00
22	1	352406	setting screw for Bowden cable M5x34 mm		04.54.01.40.50.21
23	2	352412	end bush metal \varnothing 5		04.54.91.50.10.41
24	1	352013	outer shell for Bowden cable black 150mm		04.54.91.21.53.00
25	1	352005	end cap for inner Bowden cable \varnothing 1-1,5 mm		04.54.91.50.10.40
26	1		washer DIN 125 - A 4,3		02.61.04.30.91.20
27	1		pressure spring 0,66x6,7x15		04.21.06.60.15.00

Drumbrake handle



pcs.	Q/1	item no.	Product name:	Variant:	drawing no.
1-8	2	352016	hand brake lever complete		XXXXXXXXXXXX
1+2	1	352010	hand brake lever for attendant brake incl. mounting set		04.54.92.22.20.10
2	1				19.12.02.02.00.29
3-8	2	352006			
3	2	352412	end bush metal $\varnothing 5$		04.54.91.50.10.41
4	1	352013	outer shell for Bowden cable black 150mm		04.54.91.21.53.00
5	1	352007	set screw for Bowden cable M6x40 mm		04.54.01.40.60.20
6	1	352009			04.54.11.30.00.20
7	1	352012	inner Bowden cable 1,5x2250		04.54.91.11.52.20
8	1	352005	end cap for inner Bowden cable $\varnothing 1-1,5$ mm		04.54.91.50.10.40

Water bottle



pcs.	Q/1	item no.	Product name:	Variant:	drawing no.
1-8	1	790101	water bottle complete incl. holder		XXXXXXXXXXXX
1	1	790102	water bottle silver 0,75L		79.01.01.02.00.10
2-8	1	790103	water bottle holder complete		XXXXXXXXXXXX
2	1				
3	1				
4	2		cylinder screw DIN 912 M5x14		01.22.07.90.72.40
5	2		washer DIN 125 - A 5,3		02.61.05.31.01.20
6	1		hexagon nut self-locking low form DIN 985 - M5		02.32.00.50.01.20
7	2		lens head screw with hexagon socket ISO 7380 - M5x12		01.42.07.89.65.00
8	2		lock washer S5		02.99.10.50.01.10

Hip belt with Velcro and synthetic lock

pcs.	Q/1	item no.	Product name:	Variant:	drawing no.
1	1	7800	lap belt small		04.56.90.01.00.20
o.B.	1	7801	lap belt, medium cushion		04.56.90.01.00.10

Hip belt with metal lock

pcs.	Q/1	item no.	Product name:	Variant:	drawing no.
1	1	7805	lap belt by Bodypoint with metal lock and mounting clamp		04.56.91.01.00.10

Butterfly harness



pcs.	Q/1	item no.	Product name:	Variant:	drawing no.
1	1	7810	butterfly harness		