

Mio Move

SPARE PARTS LIST



Dear customer,
in the following pages you will find a complete spare part list with all parts used to build our wheelchairs.

To ensure a accurate delivery of spare parts it is vital to provide the following information fro the identification label in addition to the Article-Number (Art.-No.).

To find the identification label on the chair please look up the following link for the exact location:

http://www.sorgrollstuhltechnik.de/fileadmin/user_upload/pdf/Download/Finding_identification_label.pdf

1. Serial number of the chair

The serial number enables us to identify the configuration of delivery of the specific chair in.

2. Seat width, seat depth and back height

The measures on the identification label are specified for the delivery configuration. If you changed any of these measures after delivery e.g. by growing the chair, please specify the actual new measures.

3. Lower leg length

We need the LLL to decide for the right version of several attachments which are connected to the LLL.

4. Frame colour

Please indicate the frame colour of the chair when ordering a powder coated spare part. Please note also if the finish alternative is shiny or matt.

5. Any other change after delivery (e.g. attachments)

We cannot know about changes after delivery. If you are not sure if such a change has any influence on the needed spare parts, please give us some details about it.

List of abbreviations

Pcs.	piece number
item no	item number to order specific spare part
Q/1	quantity per wheelchair/assembly group
SW	seat width
SD	seat depth
BH	back height
alt.	alternative
l/r	left/right

Handling annotations

Only items with item number are to order.

right / left are in relation to driving direction.

If you need further assistance, please contact us:

SORG Rollstuhltechnik GmbH & Co.KG

Benzstraße 3-5

68794 Oberhausen-Rheinhausen

Fon +49 7254 - 9279 0

Fax +49 7254 - 9279 10

info@sorgrollstuhltechnik.de

<http://www.sorgrollstuhltechnik.de>

Opening times:

Monday – Friday 8.00 am – 4.30 pm

Technical alterations and misprints excluded.

Prices on demand.

Contents

Frame

Frame	2
Anti-tipper	3
Tipping aid	4

Leg support

Leg support standard	5
Leg support elevating	7
Calf rest for elevating leg support	8
Leg rest	9
Heel cup	10
Heel edge	11

Seat

Seat plate and seat extension	12
Unlocking mechanism seat tilting	13
Seat cushion	14
Abduction wedge	15
Therapy table	16

Back

Back, adjustable in angle / Curved back plate	17
Holder set for curved back plate	20
Seat cover, adjustable	21
Back extension	22
Back cushion	23
stabilizer bar undivided (from back height 35cm)	24
stabilizer bar divided (to back height 30cm)	25
Push handle standard, cranked, adjustable	26
One hand push handle	27
Push bow with synthetic joint	29
Push bow with metal joint	30
Side truss pad	31
Head rest	33
Light weight head rest	34

Side part

Side part	36
Side part wheel base extension	38

Caster wheel

Caster wheels	40
Caster wheel fork	41
Track locking	42
Track fixation	43

Contents

Rear wheel

Axle adapter	44
Drum brake anchor	45
Wheel base extension	46
Rear wheels	47
Double handrim Standard	48
Tyres	50
Handrim	51
Handrim covers	52
Spoke cover	53

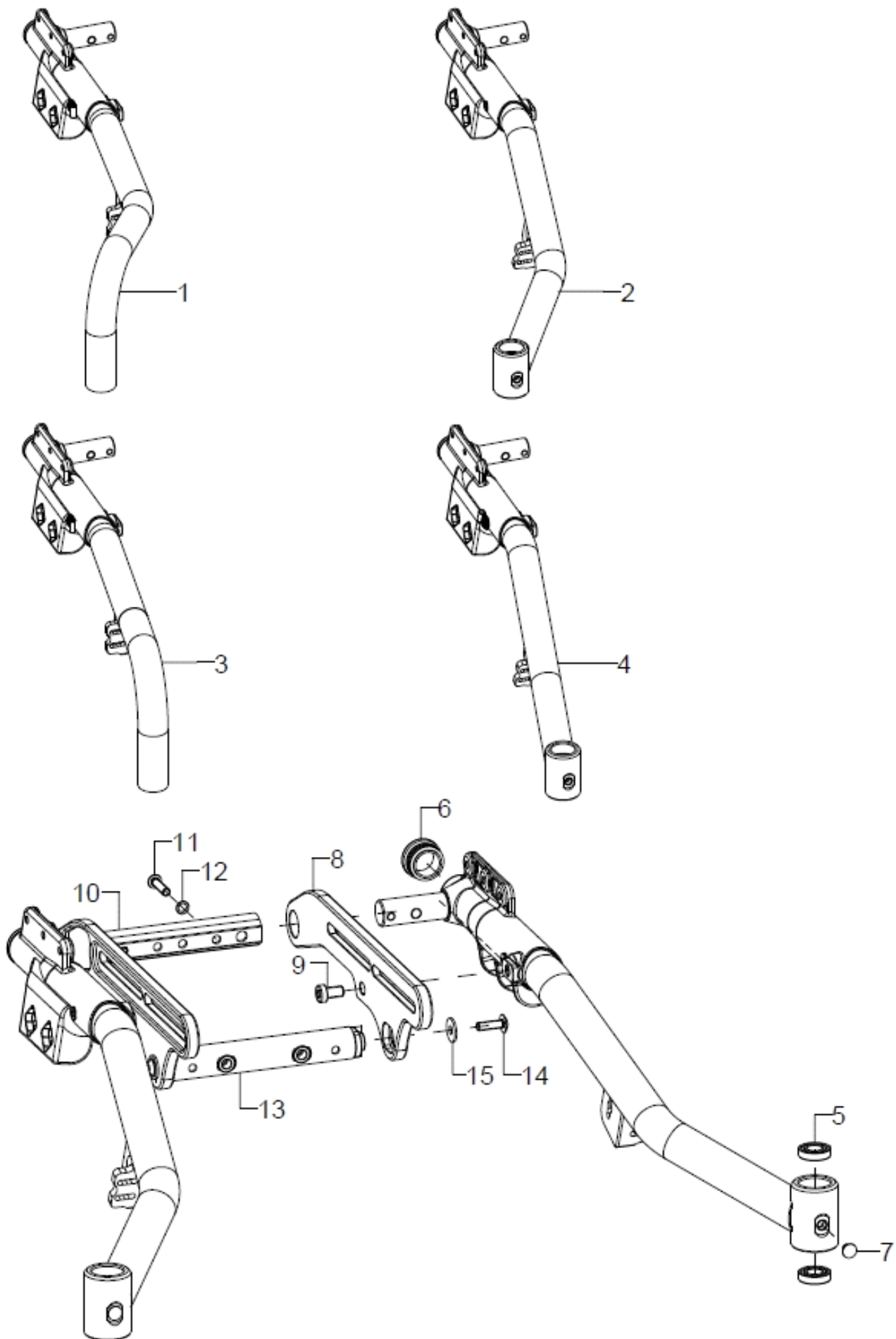
Brakes

Bowden cable brake pressure piece	54
Bowden cable brake control/non-control sides	55
Brake for wheel base extension	56
Companion locking brake	58
Cable for companion locking brake	59
Brake lever for drum brake	60

Options

Water bottle (without tipping lever)	61
Water bottle (with tipping lever)	62
Bumper	63

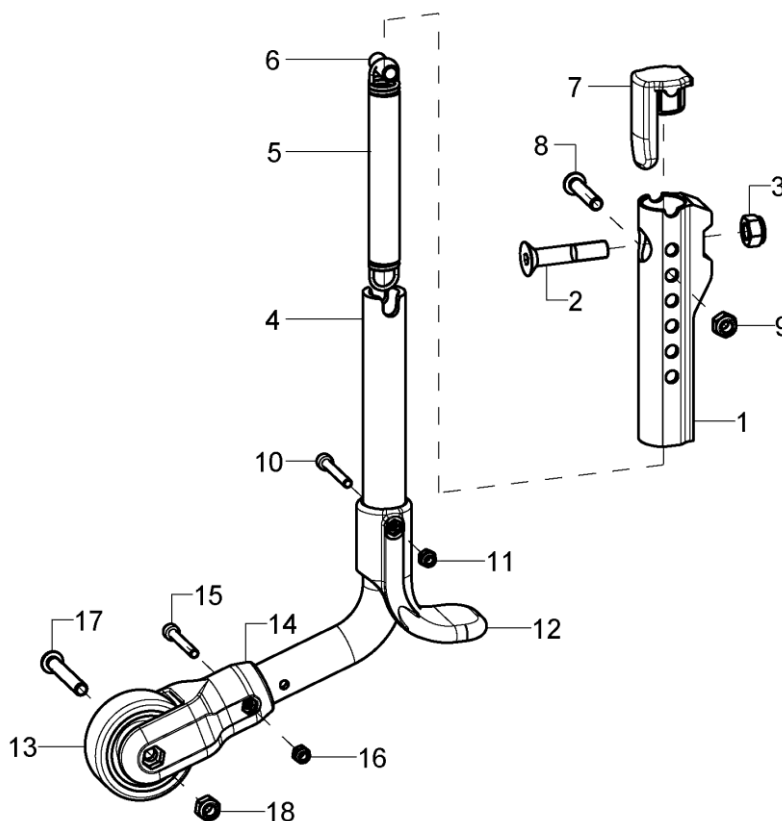
Frame





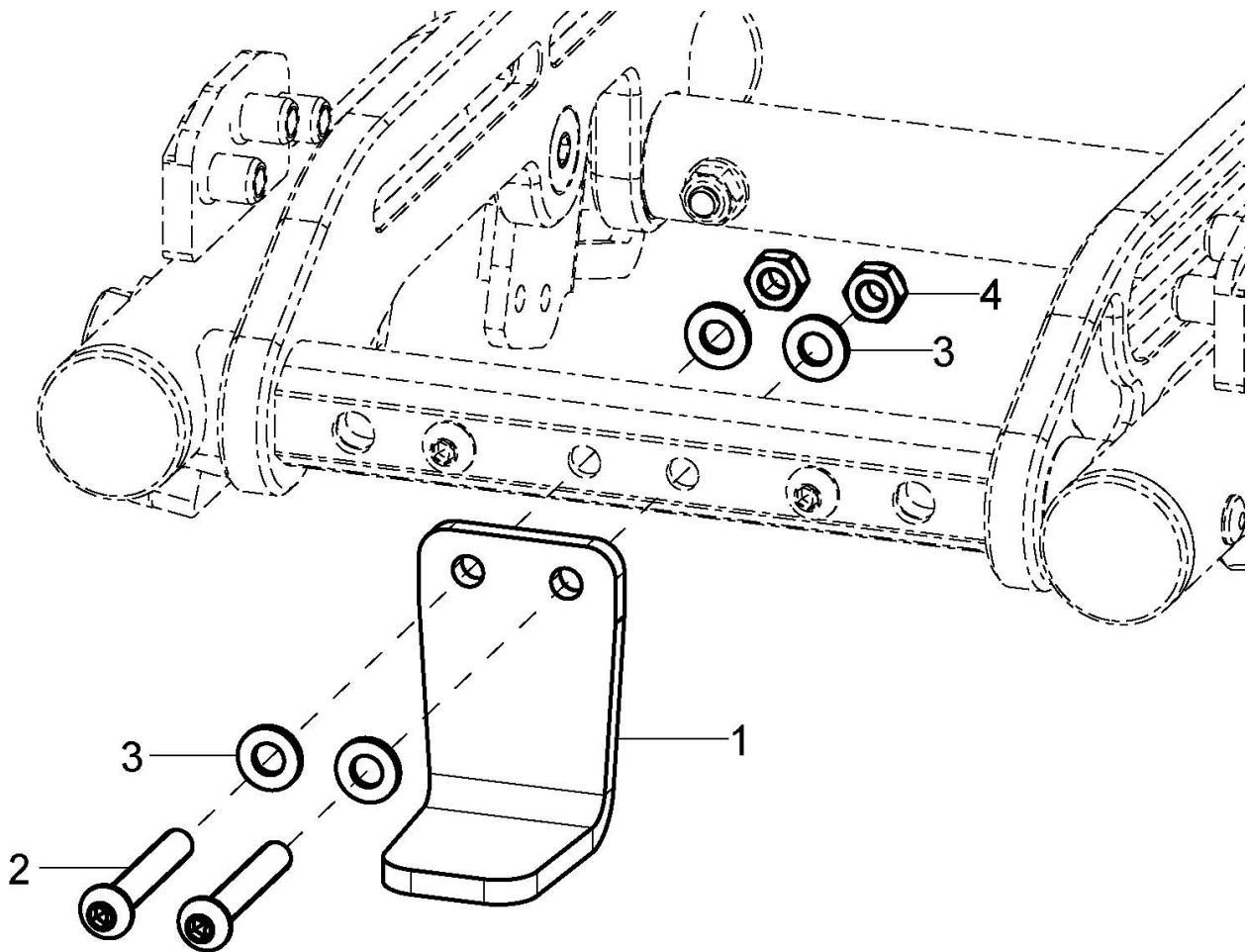
pcs.	Q/1	item no.	Product name:	Variant:	drawing no.
1+6	1	59775002			59.77.50.01.02.77
o.B.	1	59775001			59.77.50.01.02.77
1+6	1	59775102			59.77.51.01.02.77
o.B.	1	59775101			59.77.51.01.01.77
1+6	1	59775202			59.77.52.01.02.77
o.B.	1	59775201			59.77.52.01.01.77
2+5-7	1	59774002			59.77.40.01.02.77
o.B.	1	59774001			59.77.40.01.01.77
2+5-7	1	59774102			59.77.41.01.02.77
o.B.	1	59774101			59.77.41.01.01.77
2+5-7	1	59774202			59.77.42.01.02.77
o.B.	1	59774201			59.77.42.01.01.77
3+6	1	59775502			59.77.55.01.02.77
o.B.	1	59775501			59.77.55.01.01.77
3+6	1	59775602			59.77.56.01.02.77
o.B.	1	59775601			59.77.56.01.01.77
3+6	1	59775702			59.77.57.01.02.77
o.B.	1	59775701			59.77.57.01.01.77
4-7	1	59774502			59.77.45.01.02.77
o.B.	1	59774501			59.77.45.01.01.77
4-7	1	59774602			59.77.46.01.02.77
o.B.	1	59774601			59.77.46.01.01.77
4-7	1	59774702			59.77.47.01.02.77
o.B.	1	59774701			59.77.47.01.01.77
5	2		grooved ball bearing ϕ 24/12x6		04.32.12.06.00.10
6	1				04.63.10.30.00.10
7	1				04.63.10.07.00.10
8-9	1P	59770103			58.77.01.01.00.77
9	2				01.24.09.74.05.00
10-12	1	58770107			58.77.01.07.00.77
11	2		lens head screw with hexagon socket ISO 7380 - M6x25		01.42.08.56.65.00
12	2		lock washer S6		02.99.10.60.01.10
13-15	1	58770108			58.77.01.08.00.77
14	2		lens head screw with hexagon socket ISO 7380 - M6x20		01.42.08.54.05.00
15	2		washer DIN 9021 -6,4		02.79.06.41.60.20

Anti-tipper



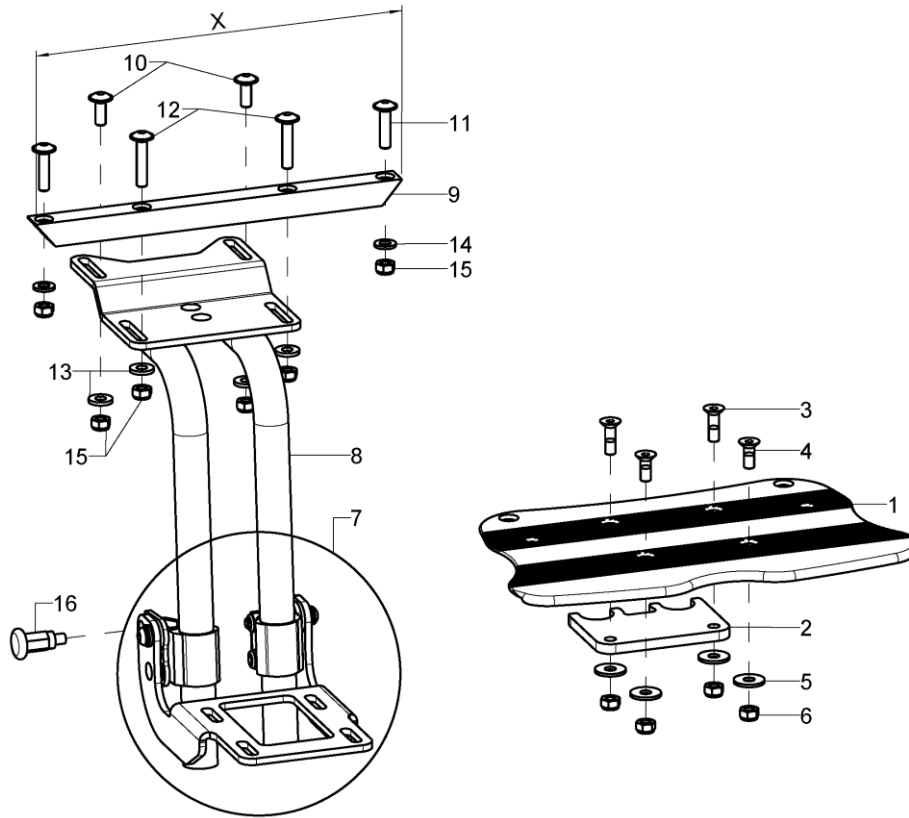
pcs.	Q/1	item no.	Product name:	Variant:	drawing no.
1-18	1	7214			XX.XX.XX.XX.XX.XX
1-3	1	721405			72.13.05.01.00.77
2	1				01.65.09.80.02.40
3	1		hexagon nut self-locking low form DIN 985 - M6		02.32.00.60.01.20
4-18	1	721305	anti-tipper bail pre-assembled for 20" driving wheels		72.15.76.99.00.76
o.B.	1	721306	anti-tipper bail pre-assembled for 22/24" driving wheels		72.13.03.99.00.73
o.B.	1	721404			72.14.01.99.00.77
4	1	721307	anti-tipper bail for 20" driving wheels		72.15.76.01.00.76
o.B.	1	721308	anti-tipper bail for 22/24" driving wheels		72.13.03.02.00.73
o.B.	1	721408			72.14.01.01.00.77
5	1		tension spring, loop 180°, 1/1 centred, 13,5x2x113		04.22.01.41.13.00
6	1		spacer bushing 18,4 mm		45.03.10.00.00.73
7	1		locking cap anti-tipper holder		72.13.05.02.00.77
8	1		lens head screw with hexagon socket ISO 7380 - M6x30		01.42.08.58.65.00
9	1		hexagon nut self-locking low form DIN 985 - M6		02.32.00.60.01.20
10	1		cylinder screw DIN 912 M4x30		01.22.07.38.62.40
11	1		hexagon nut self-locking low form DIN 985 - M4		02.32.00.40.01.20
12	1	72150104	tipping lever black		72.15.01.04.00.74
13	1	720004	wheel ø50, width 18, nob width 20, axle ø 6, PU grey		04.52.42.50.00.30
14-18	1	72150101	holder anti-tipper for wheel ø50 mm, incl. mounting set		72.15.01.01.00.74
15	1		cylinder screw DIN 912 M4x30		01.22.07.38.62.40
16			hexagon nut self-locking low form DIN 985 - M4		02.32.00.40.01.20
17	1		lens head screw with hexagon socket ISO 7380 - M6x40		01.42.08.60.65.00
18	1		hexagon nut self-locking low form DIN 985 - M6		02.32.00.60.01.20

Tipping aid



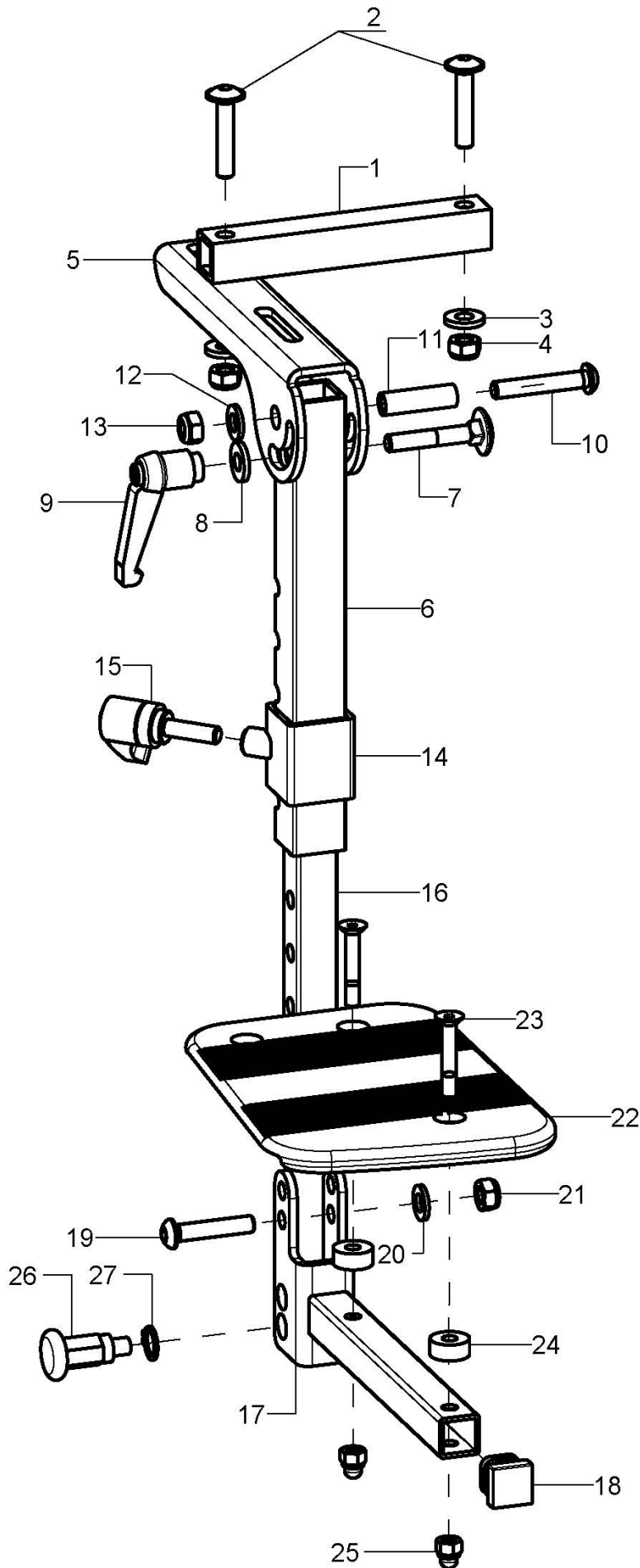
pcs.	Q/1	item no.	Product name:	Variant:	drawing no.
1-4	1	7408			74.06.02.03.00.77
2	2		lens head screw with hexagon socket ISO 7380 - M6x40		01.42.08.60.65.00
3	4		washer DIN 125 - A 6,4		02.61.06.41.41.20
4	2		hexagon nut self-locking low form DIN 985 - M6		02.32.00.60.01.20

Leg support standard

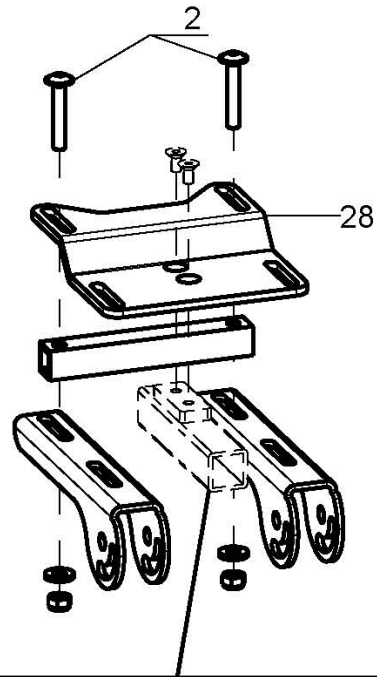


pcs.	Q/1	item no.	Product name:	Variant:	drawing no.
2	1	40190305	stopper		40.19.03.05.00.72
3	2		counter sunk screw with hexagon socket DIN 7991 M6x20		01.65.08.54.02.40
4	2		counter sunk screw with hexagon socket DIN 7991 M6x16		01.65.08.52.02.40
5	4		washer DIN 9021 -6,4		02.79.06.41.60.20
6	4		hexagon nut self-locking low form DIN 985 - M6		02.32.00.60.01.20
7	1	40190304	premounted foot plate holder Kika		40.19.03.99.00.72
8	1				40.19.10.01.00.78
altern.	1				40.19.10.02.00.78
altern.	1				40.19.10.03.00.78
altern.	1	40190101	leg support holder short SD 20-26, to LLL 25 cm		40.19.01.01.00.72
altern.	1	40190102	leg support holder long SD 20-26, to LLL 33 cm		40.19.01.02.00.72
altern.	1	40190103	leg support holder long SD 28-32, to LLL 33 cm		40.19.01.03.00.72
9-15	1	40190199	mounting set leg support holder		XXXXXXXXXXXX
9	1	40190303	leg support crossbar		40.19.03.03.00.72
10	2		lens head screw with hexagon socket M6x16		01.43.08.52.65.00
11	2		lens head screw with hexagon socket M6x25		01.43.08.56.65.00
12	2				01.43.08.58.65.00
altern.	2		lens head screw with hexagon socket M6x35		01.43.08.59.65.00
13	4		washer reinforced Ø14/6,2x2		58.30.15.01.00.24
14	2		washer DIN 125 - A 6,4		02.61.06.41.41.20
15	6		hexagon nut self-locking low form DIN 985 - M6		02.32.00.60.01.20
16	1	690101	latch Ø6/M10x1x31 with lock		04.14.43.60.02.00

Leg support elevating



Bei Anbau mit
Therapietischhalter

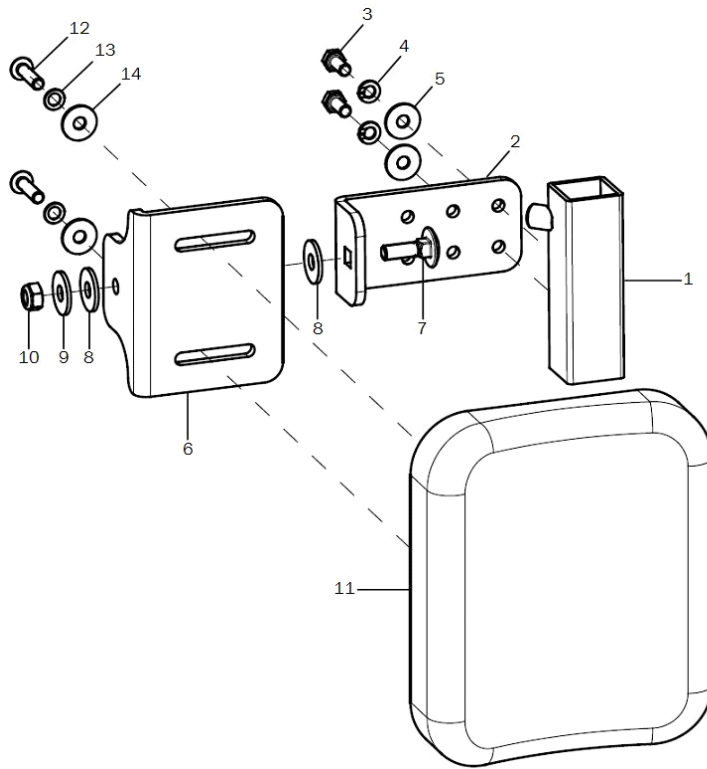


Einzelteil
Therapietischhalter
im Kapitel
Therapietisch



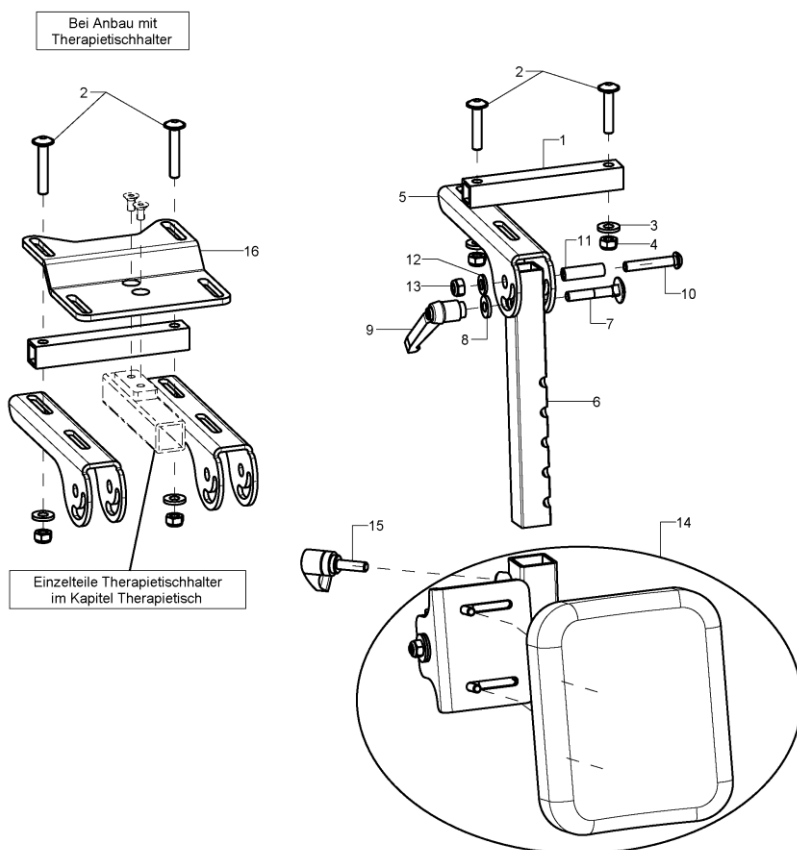
pcs.	Q/1	item no.	Product name:	Variant:	drawing no.
1-25		401905	leg support can be elevated, complete		XXXXXXXXXXXX
1-4	2	40190603	tube piece black, for connection leg support incl. mounting set		40.19.06.03.00.72
2	2				01.43.08.58.65.00
altern.	4		lens head screw with hexagon socket M6x35		01.43.08.59.65.00
3	2		washer reinforced $\varnothing 14/6,2 \times 2$		58.30.15.01.00.24
4	2		hexagon nut self-locking low form DIN 985 - M6		02.32.00.60.01.20
5	2	40190601	holding angle SD 20-26		40.19.06.01.00.72
altern.	2	40190602	holding angle SD 28-32		40.19.06.02.00.72
6	2	40190604	support tube		40.19.06.04.00.72
7-13	2	40190699	mounting set for support tube		XXXXXXXXXXXX
7	1		round-head screw DIN 6003 M6x35		01.11.08.59.05.00
8	1		washer reinforced $\varnothing 14/6,2 \times 2$		58.30.15.01.00.24
9	1		clamp lever adjustable M6 internal thread, black		04.13.20.60.00.50
10	1				01.42.08.59.62.60
11	1				27.00.05.05.00.10
12	1		washer DIN 125 - A 6,4		02.61.06.41.41.20
13	1		hexagon nut self-locking low form DIN 985 - M6		02.32.00.60.01.20
14-15	2	401104	tube clamp 25x25x105x30 for length compensation incl. clamp lever		40.11.04.01.00.24
15	2	403110	clamp lever adjustable M6x20, black		04.13.10.60.20.50
16	2	401304	rod black for leg support 15x15x250		40.31.04.01.00.20
17-21	2	401308	foot plate joint holder 100. 15 incl. mounting set		40.13.02.01.00.24
19	2		lens head screw with hexagon socket ISO 7380 - M6x30		01.42.08.58.65.00
20	2		washer DIN 125 - A 6,4		02.61.06.41.41.20
21	2		hexagon nut self-locking low form DIN 985 - M6		02.32.00.60.01.20
22-25	1	40551300	foot rest 150 mm divided, incl. mounting set		40.55.13.00.00.76
23	2		counter sunk screw with hexagon socket DIN 7991 M5x30		01.65.07.98.05.00
24	2		bushing $\varnothing 14/5,2 \times 6$		40.55.00.01.00.76
25	2		hexagon cap nut low form with clamp DIN 986 - M5		02.33.00.60.21.20
26	2	690101	latch $\varnothing 6/M10 \times 1 \times 31$ with lock		04.14.43.60.02.00
27	2		lock ring 10, DIN 471		03.01.01.00.93.00
28	2	40190104	leg support holder - short angle		40.19.02.01.00.72

Calf rest for elevating leg support



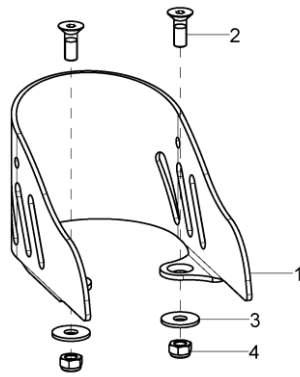
pcs.	Q/1	item no.	Product name:	Variant:	drawing no.
1-11	1	403106	calf rest, padded incl. holder		XXXXXXXXXXXX
o.B.	1	403105	calf rest left complete		XXXXXXXXXXXX
1	1	40300600	adapter for calf pad holder 90°-160°		40.30.06.01.00.10
2-5	2	40300603	angle adjustment incl. mounting set		40.30.06.03.00.10
3	2		hexagon screw DIN 933 - M5x12		01.04.07.89.02.40
4	2		spring ring DIN 127 - A 5		02.85.30.50.05.10
5	2		washer DIN 9021 - M5		02.79.05.31.20.20
6-10	2	40300604	angle holder incl. mounting set		40.30.06.04.00.10
7	1		round-head screw DIN 6003 M6x20		01.11.08.54.00.40
8	2		washer DIN 9021- 6,4- PA		02.79.06.41.60.70
9	1		washer DIN 9021 -6,4		02.79.06.41.60.20
10	1		hexagon nut self-locking low form DIN 985 - M6		02.32.00.60.01.20
11-14	2	40300610	calf rest 150x120x30 PU black incl. mounting set		04.65.09.15.13.20
12	2		lens head screw with hexagon socket ISO 7380 - M5x20		01.42.07.94.65.00
13	2		lock washer S5		02.99.10.50.01.10
14	2		washer DIN 9021 - M5		02.79.05.31.20.20

Leg rest



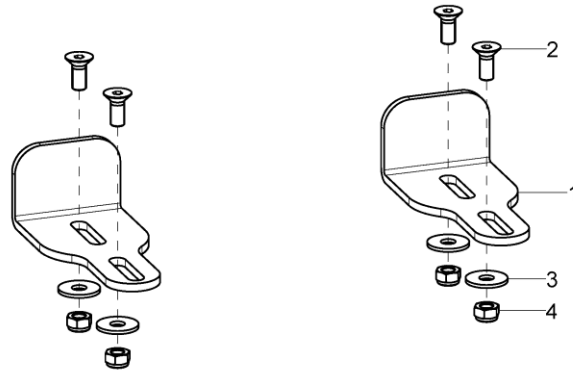
pcs.	Q/1	item no.	Product name:	Variant:	drawing no.
1-15	1	401908	leg rest right complete (adapter, leg rest tube, calve pad incl. holder)		XXXXXXXXXXXX
o.B.	1	401907	leg rest left complete (adapter, leg rest tube, calve pad incl. holder)		XXXXXXXXXXXX
1-4	2	40190603	tube piece black, for connection leg support incl. mounting set		40.19.06.03.00.72
2	2				01.43.08.58.65.00
altern.	4		lens head screw with hexagon socket M6x35		01.43.08.59.65.00
3	2		washer reinforced $\varnothing 14/6,2 \times 2$		58.30.15.01.00.24
4	2		hexagon nut self-locking low form DIN 985 - M6		02.32.00.60.01.20
5	2	40190601	holding angle SD 20-26		40.19.06.01.00.72
o.B.	2	40190602	holding angle SD 28-32		40.19.06.02.00.72
6	2	40190604	support tube		40.19.06.04.00.72
7-13	2	40190699	mounting set for support tube		XXXXXXXXXXXX
7	1		round-head screw DIN 6003 M6x35		01.11.08.59.05.00
8	1		washer reinforced $\varnothing 14/6,2 \times 2$		58.30.15.01.00.24
9	1		clamp lever adjustable M6 internal thread, black		04.13.20.60.00.50
10	1				01.42.08.59.62.60
11	1				27.00.05.05.00.10
12	1		washer DIN 125 - A 6,4		02.61.06.41.41.20
13	1		hexagon nut self-locking low form DIN 985 - M6		02.32.00.60.01.20
14	1	403106	calf rest, padded incl. holder		XXXXXXXXXXXX
o.B.	1	403105	calf rest left complete		XXXXXXXXXXXX
15	2	403110	clamp lever adjustable M6x20, black		04.13.10.60.20.50
16	2	40190104	leg support holder - short angle		40.19.02.01.00.72

Heel cup



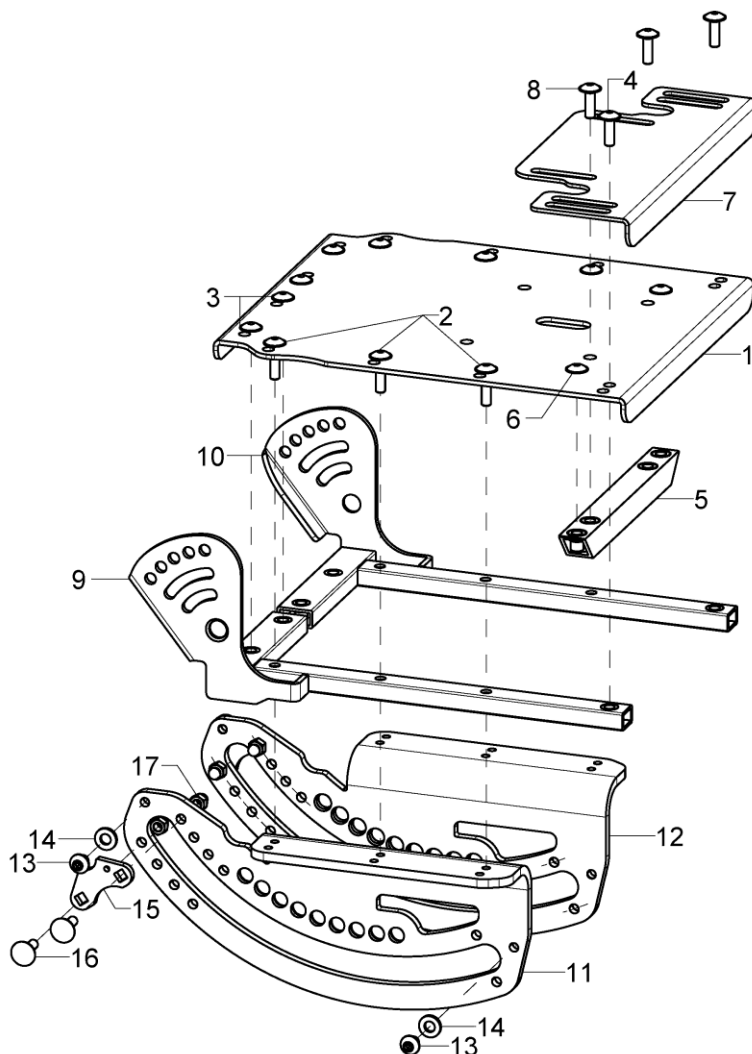
pcs.	Q/1	item no.	Product name:	Variant:	drawing no.
1-4	2	402001	heel holder size 1 7x11,5 cm incl. mounting set		40.20.01.01.00.14
o.B.	2	402002	heel holder size 2 9x12,5 cm incl. mounting set		40.20.02.01.00.14
o.B.	2	402003	heel holder size 3 10x15,5 cm incl. mounting set		40.20.03.01.00.14
2	2		counter sunk screw with hexogon socket DIN 7991 M5x14		01.65.07.90.05.00
3	2		washer DIN 9021 - M5		02.79.05.31.20.20
4	2		hexagon nut self-locking low form DIN 985 - M5		02.32.00.50.01.20

Heel edge



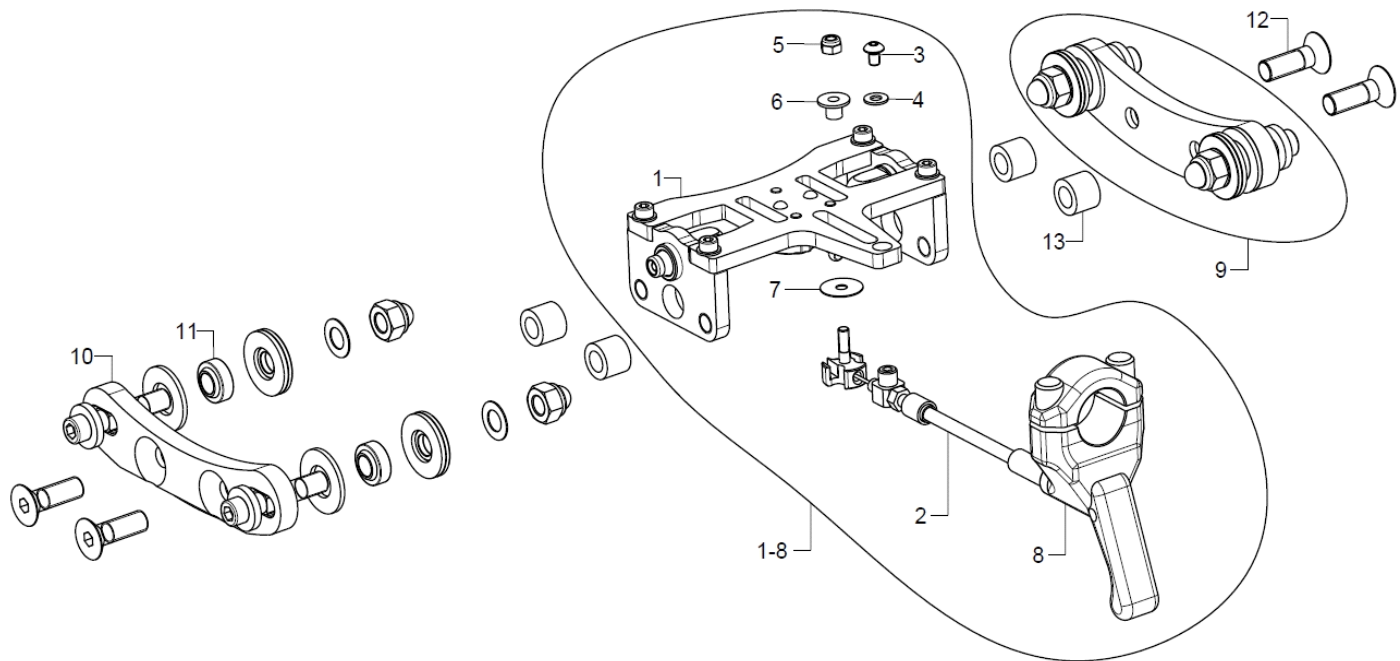
pcs.	Q/1	item no.	Product name:	Variant:	drawing no.
1-4	2	401904	heel edge incl. mounting set		40.19.04.01.00.72
2	4		counter sunk screw with hexagon socket DIN 7991 M5x12		01.65.07.89.05.00
3	4		washer DIN 9021 - M5		02.79.05.31.20.20
4	4		hexagon nut self-locking low form DIN 985 - M5		02.32.00.50.01.20

Seat plate and seat extension



pcs.	Q/1	item no.	Product name:	Variant:	drawing no.
1-4	1	192800			19.28.08.00.00.77
2	6				01.43.07.94.62.60
3	4		lens head screw with hexagon socket M5x12		01.43.07.89.65.00
4	2		lens head screw with hexagon socket M5x20		01.43.07.92.05.00
5+6	1	40190303	leg support crossbar		40.19.03.03.00.72
6	2		lens head screw with hexagon socket M5x14		01.43.07.90.62.60
7+8	1	192106	seat extension incl mounting screws M5x25		19.21.06.01.00.72
8	2		lens head screw with hexagon socket M5x20		01.43.07.92.05.00
9/10	1P	19280100			19.28.01.01.00.77
11+13+	1	19280202			19.28.02.01.02.77
14					
12-14	1	19280201			19.28.02.01.01.77
o.B.	1	19280204			19.28.02.02.02.77
o.B.	1	19280203			19.28.02.02.01.77
13	2				01.42.08.46.65.00
14	2				02.71.06.02.00.20
15-17	2	192810			19.28.06.01.00.77
16	4		round-head screw DIN 6003 M5x16 - 4.6 vz		01.11.07.92.00.40
17	2		hexagon cap nut low form with clamp DIN 986 - M6		02.33.00.60.11.20

Unlocking mechanism seat tilting



pcs.	Q/1	item no.	Product name:	Variant:	drawing no.
1-8	1	19280400			19.28.04.00.00.77
1	1	19280410			
2-8	1	19280416			19.28.04.16.00.77
3	1				01.42.07.26.65.00
4	1		washer DIN 125 - A 4,3		02.61.04.30.91.20
5	1		hexagon nut self-locking low form DIN 985 - M4		02.32.00.40.01.20
6	1				19.28.04.20.00.77
7	1				19.28.07.10.00.77
8	1	190513	hand release lever for gas pressure spring, not lockable		04.54.92.12.20.10
9-13	2	19280300			19.28.03.01.00.77
10	2				19.28.03.04.00.77
11	4				04.32.08.09.00.00
12	2				01.65.08.55.05.00
13	2				19.28.04.09.00.77

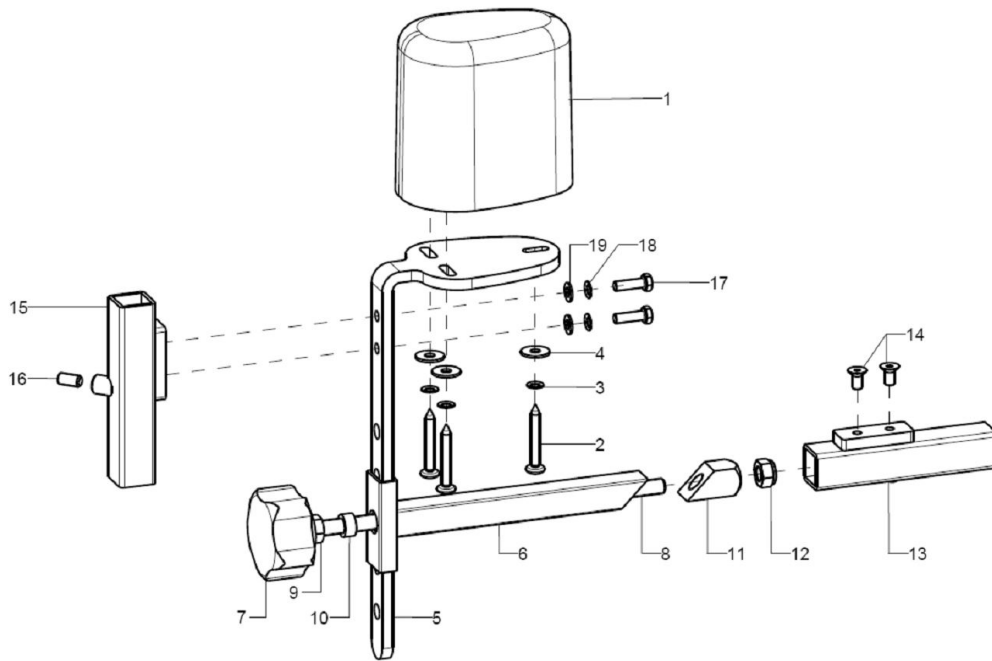
Seat cushion

pcs.	Q/1	item no.	Product name:	Variant:	drawing no.
o.B.	1	891002	anatomical seat cushion		XXXXXXXXXXXX
o.B.	1	891004	incontinence cover for anatomical seat cushion		XXXXXXXXXXXX
o.B.	1	8003	seat cushion, synthetic foam, 3cm thick		XXXXXXXXXXXX
o.B.	1	8005	seat cushion, synthetic foam, 5cm thick		XXXXXXXXXXXX
o.B.	1	8103	seat cushion, memory foam, 3cm thick		XXXXXXXXXXXX
o.B.	1	8105	seat cushion, memory foam, 5cm thick		XXXXXXXXXXXX
o.B.	1	80XX	cover for seat cushion		XXXXXXXXXXXX
o.B.	1	8603	incontinence protection for 3cm cushion (non refundable)		
o.B.	1	8605	incontinence protection for 5cm cushion (non refundable)		

Stoffmuster	XX
Betex schwarz	20
Betex blau	21
Betex rot	22
Betex grau	23
Betex grün	24
Betex gelb	25
Betex orange	27

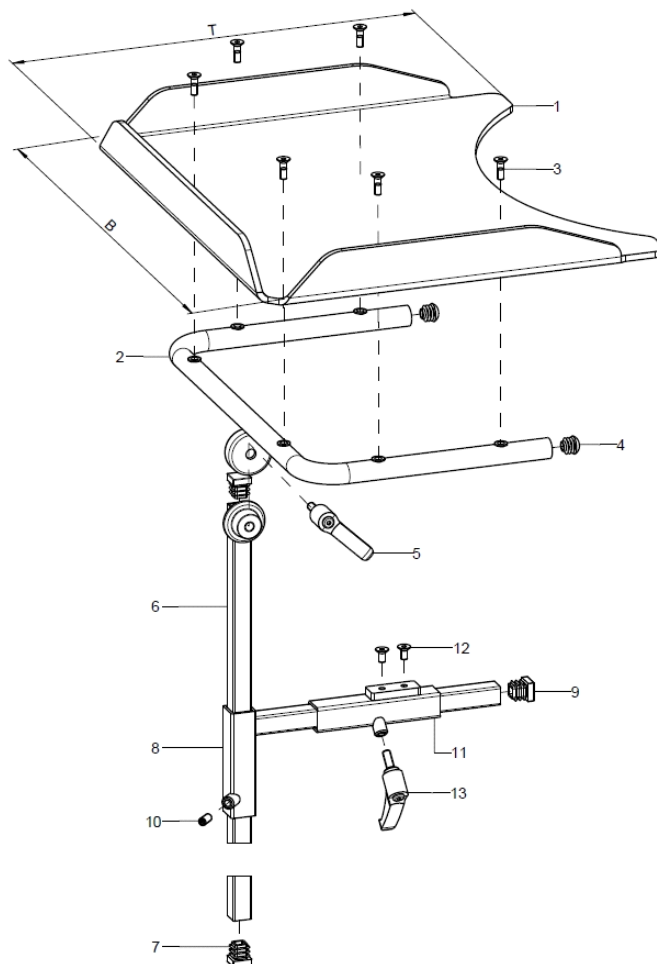
Alle Stoffmuster können unter www.sorgrollstuhltechnik.de angesehen werden.

Abduction wedge



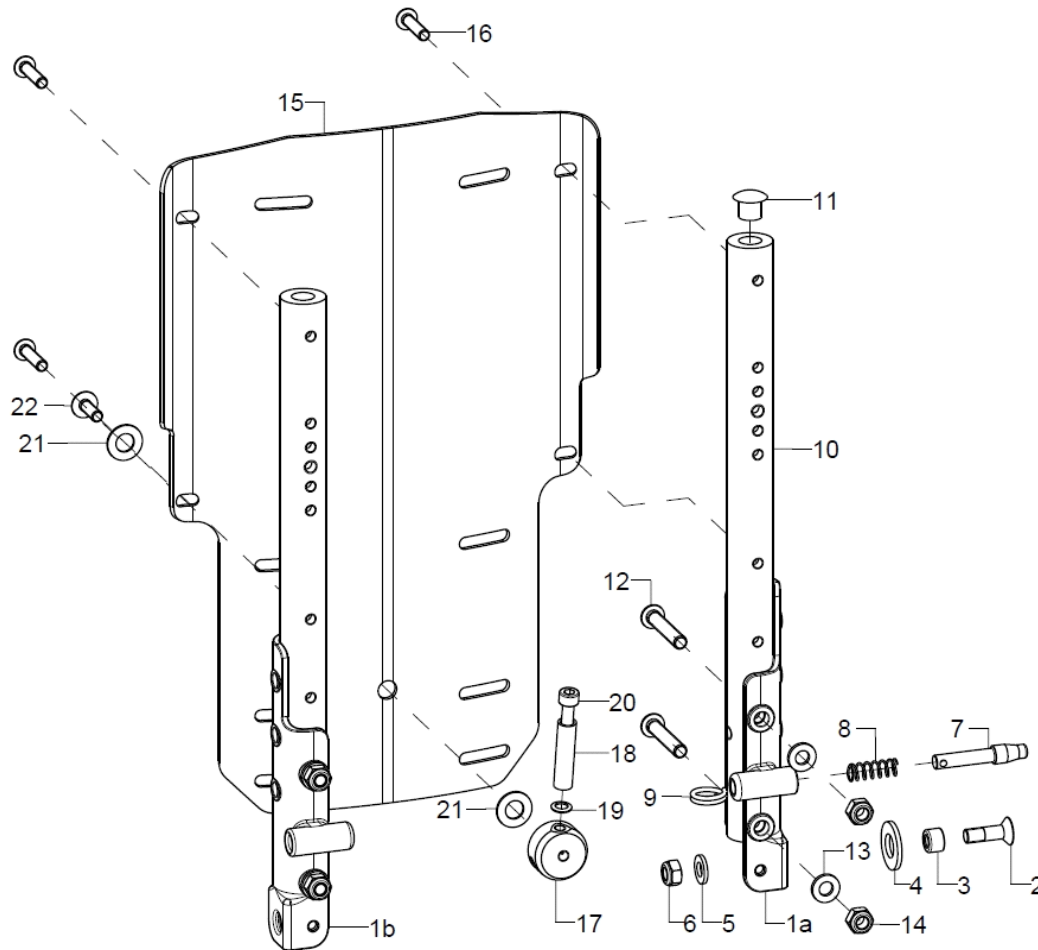
pcs.	Q/1	item no.	Product name:	Variant:	drawing no.
1-14	1	1952	abduction wedge size s		XXXXXXXXXXXX
o.B.	1	1953	abduction wedge size m		XXXXXXXXXXXX
o.B.	1	1954	abduction wedge size l		XXXXXXXXXXXX
1	1	195002	abduction wedge small		04.65.17.09.01.20
o.B.	1	195003	abduction wedge medium		04.65.17.11.03.20
o.B.	1	195004	abduction wedge large		04.65.17.13.02.20
2-4	1	19500299	mounting set abduction wedge on holder angle		XXXXXXXXXXXX
2	3				01.88.07.99.00.80
3	3		lock washer S5		02.99.10.50.01.10
4	3		washer DIN 9021 - M5		02.79.05.31.20.20
5	1	195101	bracket for abduction wedge		19.50.03.02.00.10
6	1	195103	weldment clamber		19.50.02.01.00.10
7	1		5-star knob ø50 - M8 internal thread, black		04.05.35.34.00.40
8	1				
9	1		hexagon nut DIN 934 - M8		02.19.00.80.01.20
10	1				28.00.31.01.00.01
11	1				68.40.04.04.00.51
12	1		hexagon nut self-locking low form DIN 985 - M6		02.32.00.60.01.20
13-14	1	403111	leg support adapter weldment / universal incl. mounting set		40.01.01.05.00.28
14	2		counter sunk screw with hexogon socket DIN 7991 M5x10		01.65.07.88.05.00
15-19	1	400105	universal leg support socket for combination abduction wedge with therapy table incl. mounting set		40.01.01.05.00.28
16	1		setscrew with hexagon socket DIN 913, M6x12		01.67.08.49.61.20
17	2		hexagon screw DIN 933 - M5x16		01.04.07.92.02.40
18	2		lock washer S5		02.99.10.50.01.10
19	2		washer DIN 125 - A 5,3		02.61.05.31.01.20

Therapy table



pcs.	Q/1	item no.	Product name:	Variant:	drawing no.
1-13	1	9209XX	therapy table central mounting under SeatFix complete		XXXXXXXXXXXX
1	1	920016	therapy table size 0 (B39xT33) polycarbonate		92.00.16.01.00.72
altern.	1	920030	therapy table size 1 (B45xT36) polycarbonate		92.00.10.01.00.51
altern.	1	920031	therapy table size 2 (B59xT45) polycarbonate		92.00.11.01.00.51
2	1	920901	holder for therapy table incl. mounting set		92.09.01.01.00.72
3-5	1	92090199	mounting set for holder		XXXXXXXXXXXX
3	6		counter sunk screw with hexagon socket DIN 7991 M5x16		01.65.07.92.05.00
4	2		plugs for tube $\varnothing 22 \times 1-2$, black		04.63.10.22.00.10
5	1	650050	clamp lever adjustable M8x16, black		04.13.10.80.16.50
6-7	1	920902	cone rod 450 incl. plugs		92.08.03.04.00.24
7	2		plugs for square tubes, black 15x15		04.63.11.15.00.10
8-10	1	920802	adapter 220x85 incl. mounting set		92.08.02.01.00.24
9	1		plugs for square tubes, black 15x15		04.63.11.15.00.10
10	1		setscrew with hexagon socket DIN 913, M6x12		01.67.08.49.61.20
11-13	1	400105	universal leg support socket for combination abduction wedge with therapy table incl. mounting set		40.01.01.05.00.28
12	2		counter sunk screw with hexagon socket DIN 7991 M5x10		01.65.07.88.05.00
13	1		clamp lever adjustable M6x16, black		04.13.10.60.16.50

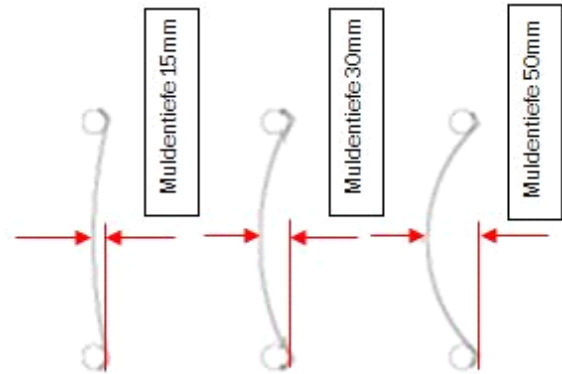
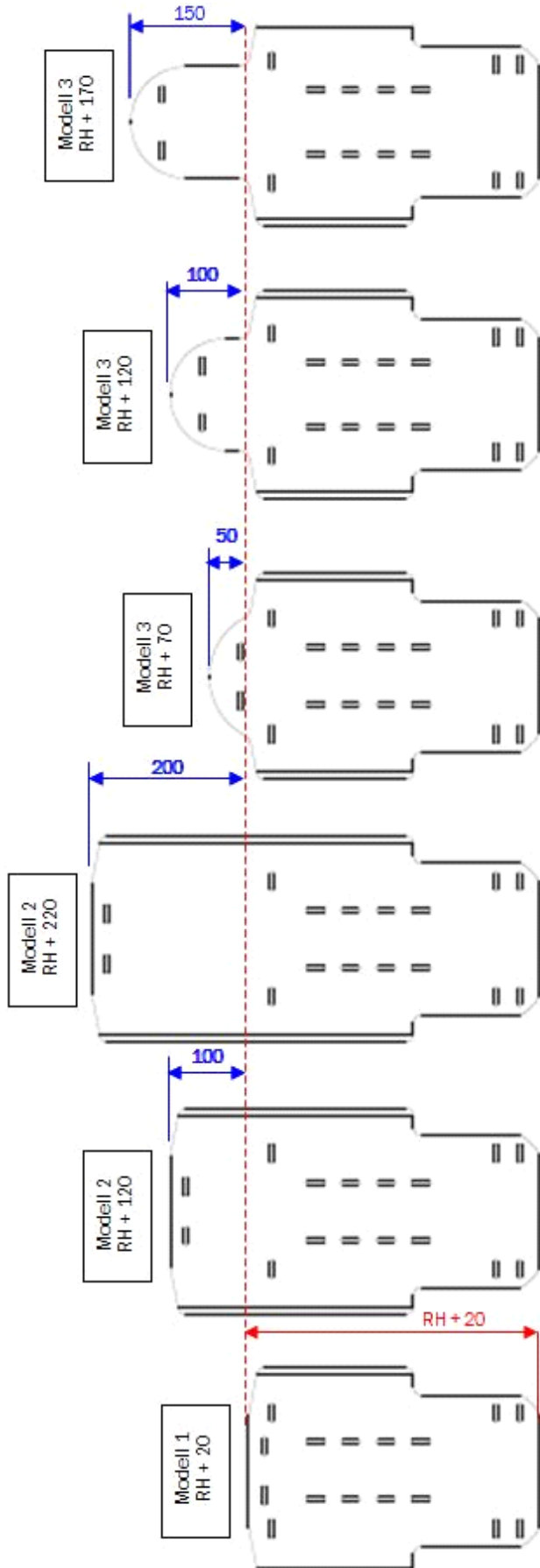
Back, adjustable in angle / Curved back plate



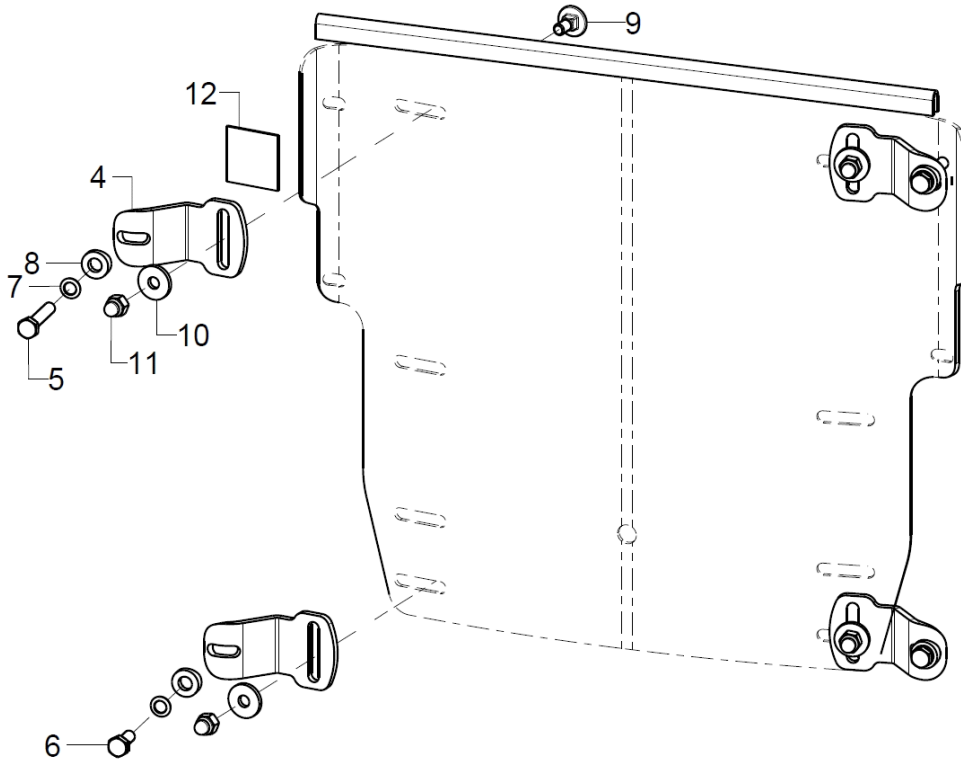
pcs.	Q/1	item no.	Product name:	Variant:	drawing no.
1a-9	1	62370204	U-part 137 mm, right		61.09.05.01.02.00
1b-9	1	62370203	U-part 137 mm, left		61.09.05.01.01.00
2	1		counter sunk screw with hexagon socket DIN 7991 M6x20		01.65.08.54.02.40
3	1				61.21.05.01.00.77
4	1		washer DIN 125 - A 10,5 - PA black		02.61.10.52.01.71
5	1		fitted washer DIN 988 - 6x12x0,5 - A2		02.68.06.00.50.30
6	1		hexagon nut self-locking low form DIN 985 - M6		02.32.00.60.01.20
7-9	1	610109	locking bolt incl. mounting set (spring and ring)		61.01.02.04.00.24
8	1		pressure spring DIN 2098 0,7x7,65/9,05x21		04.21.00.80.21.00
9	1		wire form ring 2x16		04.29.04.42.20.00
10+11	2	623302XX			62.33.02.00.00.00
11	1				04.63.10.20.01.10
12-14	2	62330099	mounting set back tube		XXXXXXXXXXXX
12	2		lens head screw with hexagon socket ISO 7380 - M6x35		01.42.08.59.65.00
13	2		washer DIN 125 - A 6,4		02.61.06.41.41.20
14	2		hexagon nut self-locking low form DIN 985 - M6		02.32.00.60.01.20
15-16	1	6950XX			69.50.XX.00.00.00
o.B.	1	6951XX			69.51.XX.00.00.00
o.B.	1	6952XX			69.52.XX.00.00.00
o.B.	1	6953XX			69.53.XX.00.00.00
o.B.	1	6954XX			69.54.XX.00.00.00
o.B.	1	6955XX			69.55.XX.00.00.00
16	4				01.42.07.95.65.00



17-22	1	69730403	lever complete	XXXXXXXXXXXX
17	1			69.73.04.03.00.72
18	1			19.08.01.01.00.69
19	1		lock washer S5	02.99.10.50.01.10
20	1		cylinder screw DIN 912 M5x40	01.22.08.00.62.40
21	2		fender disc 8,4x16x1 PE	02.81.16.00.10.70
22	1		lens head screw with hexagon socket M5x20	01.43.07.92.05.00
o.B.	1	69730404	polyester band 3 mm	00.57.03.05.00.50

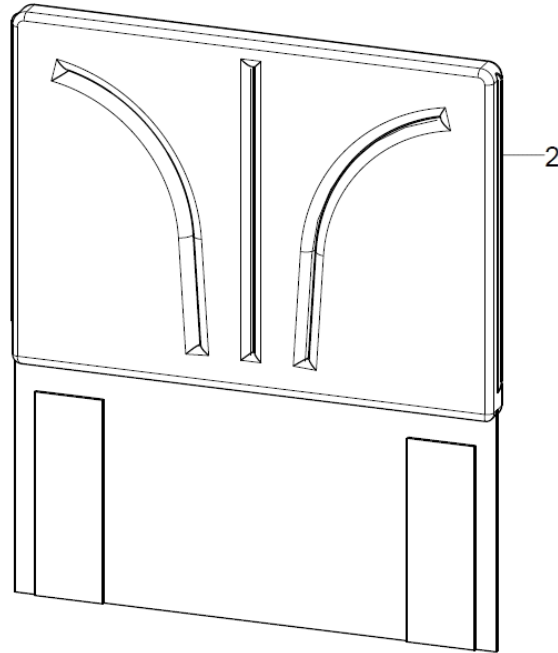
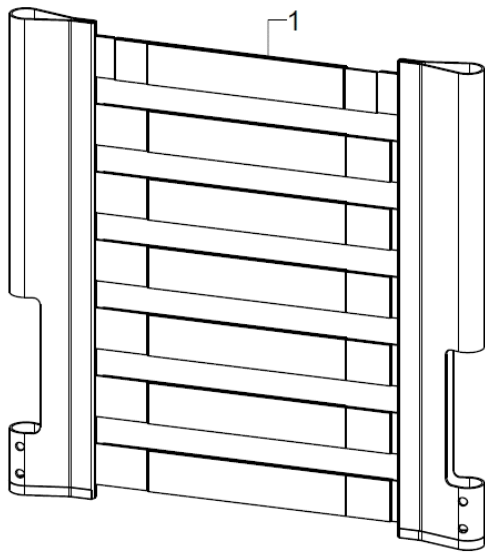


Holder set for curved back plate



pcs.	Q/1	item no.	Product name:	Variant:	drawing no.
4+5+7-12	2	692598	mounting set curved back plate		XXXXXXXXXXXX
4+6-11	2				
4	1	692510	screwed on holding plate		69.25.05.01.00.69
5	1		hexagon screw DIN 933 - M5x25		01.04.07.96.02.40
6	1		hexagon screw DIN 933 - M5x12		01.04.07.89.02.40
7	1		lock washer S5		02.99.10.50.01.10
8	1				40.04.16.01.00.10
9	1		round-head screw DIN 6003 M5x12		01.11.07.89.00.40
10	1		washer DIN 7349 - 5,3		02.77.05.22.00.20
11	1		hexagon cap nut low form with clamp DIN 986 - M5		02.33.00.60.21.20
12	2		Velcro strap 25 mm		00.42.61.02.50.11

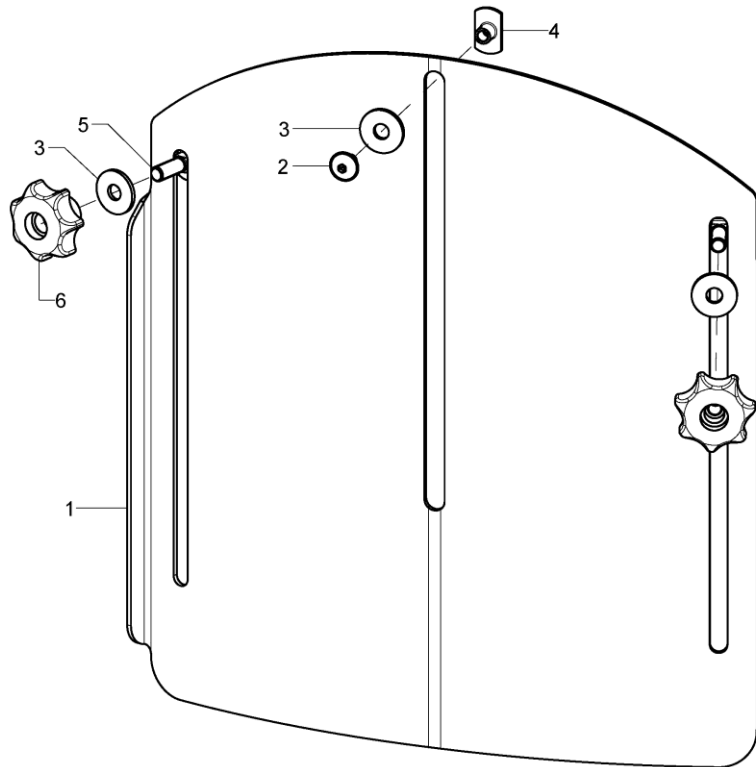
Seat cover, adjustable



Stoffmuster	XX
Betex schwarz	20
Betex blau	21
Betex rot	22
Betex grau	23
Betex grün	24
Betex gelb	25
Betex orange	27

pcs.	Q/1	item no.	Product name:	Variant:	drawing no.
1+2	1	670103XX			XX.XX.XX.XX.XX.XX
1	1				XX.XX.XX.XX.XX.XX
2	1	670599	back cover with cushion 2 cm		XX.XX.XX.XX.XX.XX
o.B.	2		counter sunk screw with hexogon socket DIN 7991 M5x16		01.65.07.92.05.00
o.B.	2		rosette ø13/6x2, black		04.14.70.60.02.00

Back extension



pcs.	Q/1	item no.	Product name:	Variant:	drawing no.
1-6	1	686091			68.60.01.00.00.00
2-6	1	68607299	mounting set back extension		XXXXXXXXXXXX
2	1		lens head screw with hexagon socket M5x8		01.43.07.87.62.60
3	3		washer DIN 9021- 6,4- PA		02.79.06.41.60.70
4	1		weld nut C- M5x7,5		02.49.33.03.00.10
5	2		round-head screw DIN 6003 M6x20		01.11.08.54.00.40
6	2		7-star knob ø32 - M6 internal thread continuous, black		04.05.37.64.20.30

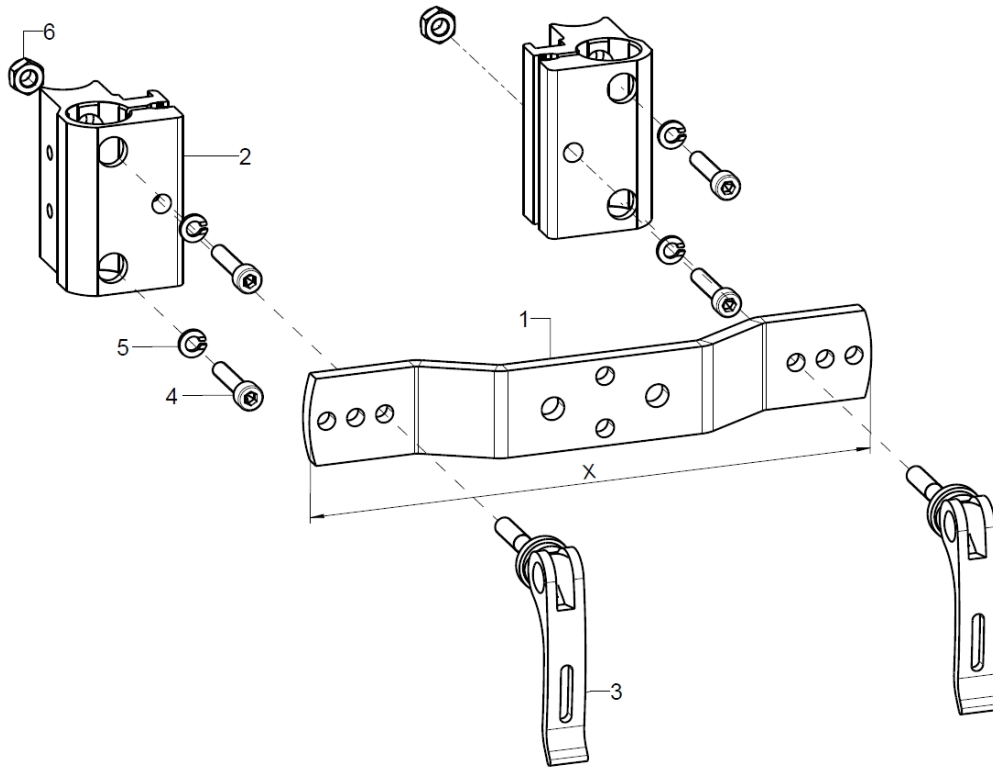
Back cushion

pcs.	Q/1	item no.	Product name:	Variant:	drawing no.
o.B.	1	8517	back cushion 3cm with zipper		XXXXXXXXXXXX
o.B.	1	8517XX	cover for back cushion		XXXXXXXXXXXX
o.B.	1	891104	anatomical back (3cm) incl. changeable cover		
o.B.	1	891106	anatomical back (5cm) incl. changeable cover		
o.B.	1	8911XX	cover for anatomical back		XXXXXXXXXXXX
o.B.	1	68607201	head rest pad incl. cover for back extension		

Stoffmuster	XX
Betex schwarz	20
Betex blau	21
Betex rot	22
Betex grau	23
Betex grün	24
Betex gelb	25
Betex orange	27

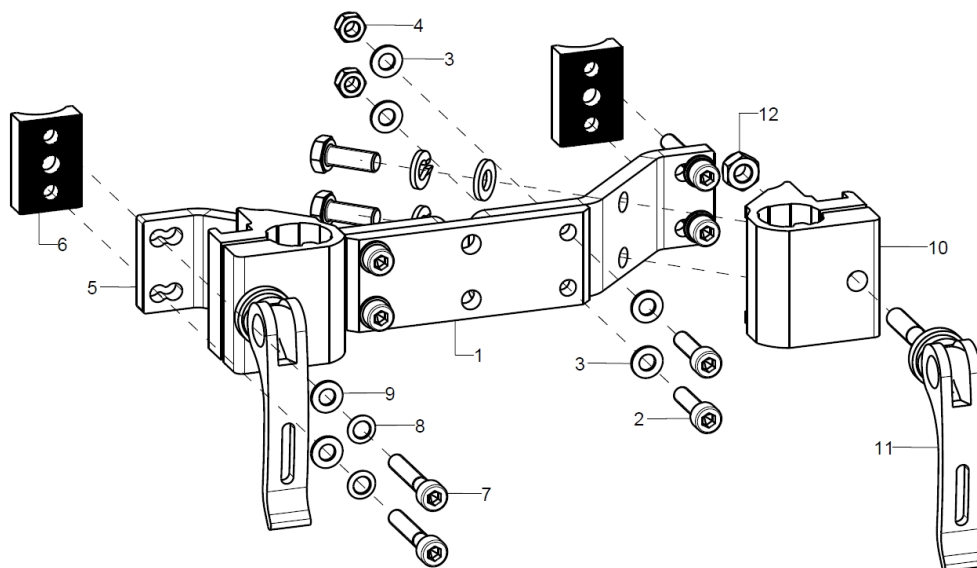
Alle Stoffmuster können unter www.sorgrollstuhltechnik.de angesehen werden.

stabilizer bar undivided (from back height 35cm)



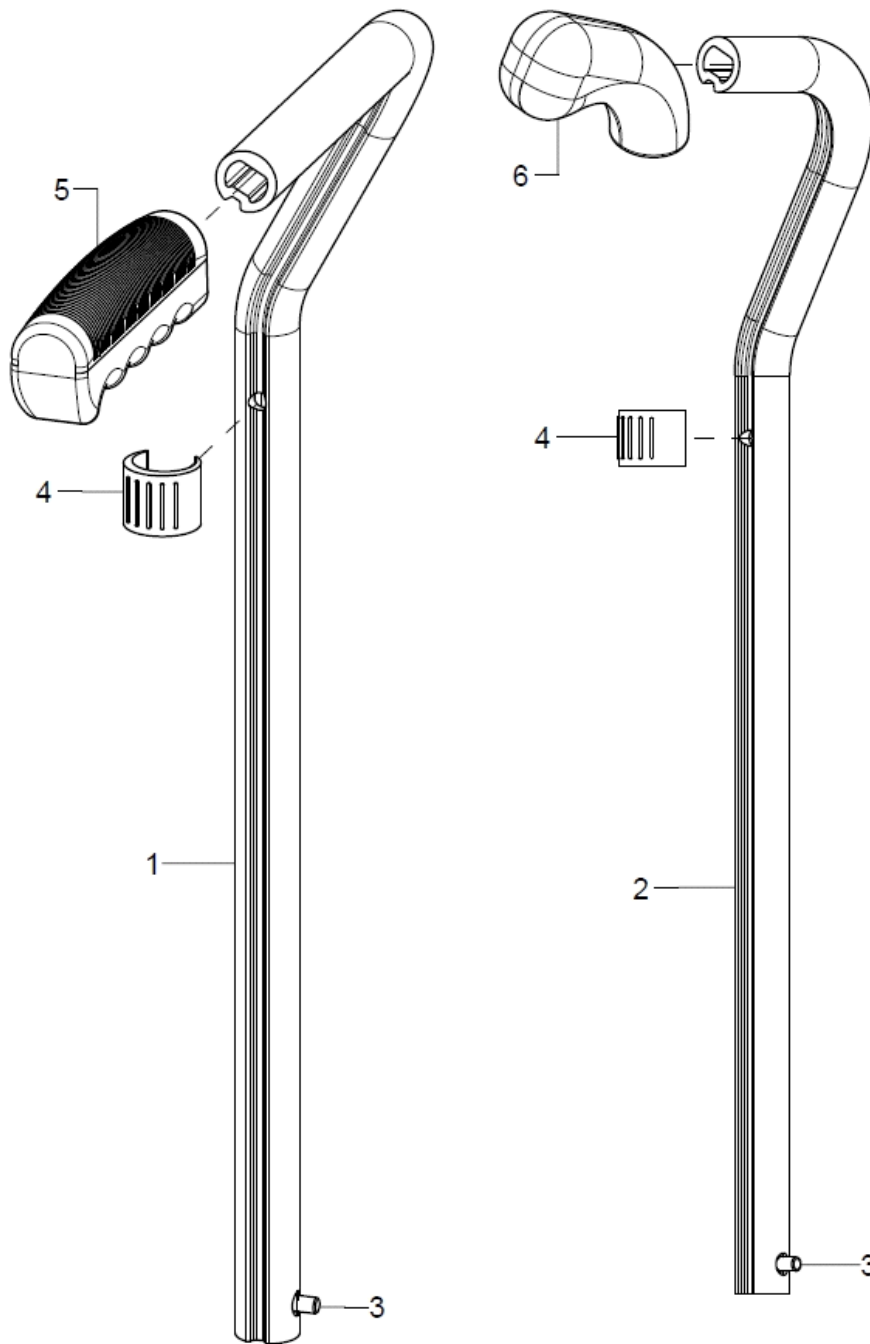
pcs.	Q/1	item no.	Product name:	Variant:	drawing no.
1	1	640901	stabilizer bar on SHG holder		64.08.00.00.00.69
2-6	2	650061	push bail holder R10		65.00.51.02.00.10
o.B.	2	650051	push handle clamp holder 38x42x58, incl. eccentric clamp and mounting set		65.00.51.01.00.10
altern.	2	650065			65.00.56.05.00.77
o.B.	2	650066			65.00.56.06.00.77
3	1	041340603510	eccentric clamp length 35 mm M6x20, black		04.13.40.60.35.10
4	2		cylinder screw DIN 912 M5x25		01.22.07.96.62.40
5	2		spring ring DIN 127 - A 5		02.85.30.50.05.10
6	2		hexagon nut self-locking low form DIN 985 - M6		02.32.00.60.01.20

stabilizer bar divided (to back height 30cm)



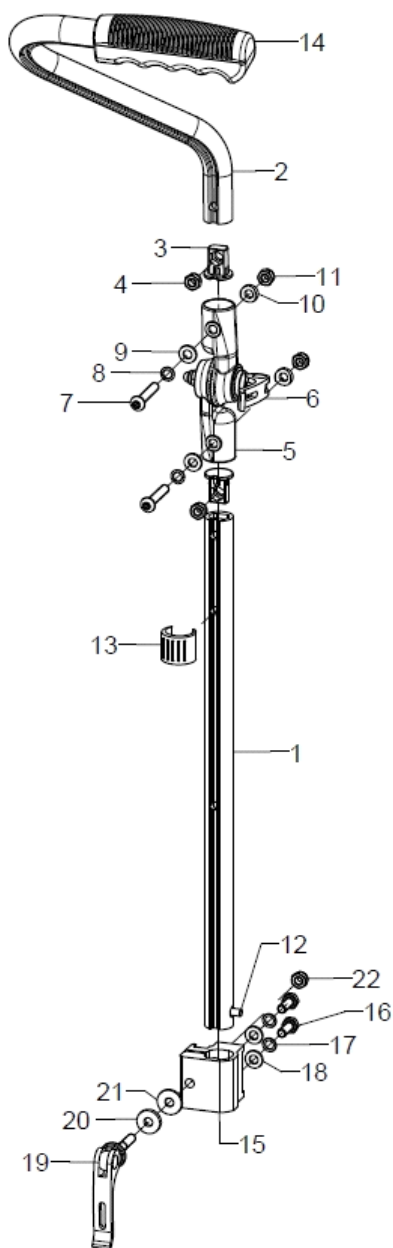
pcs.	Q/1	item no.	Product name:	Variant:	drawing no.
1-5	1	640801	stabilizer bar 3-piece complete		XXXXXXXXXXXX
1	1	640802	traverse for stabilizer bar		64.08.01.00.00.69
2-4	1	64080099	mounting set for crossbar		XXXXXXXXXXXX
2	4		cylinder screw DIN 912 M5x20		01.22.07.94.72.40
3	8		washer DIN 125 - A 5,3		02.61.05.31.01.20
4	4		hexagon nut self-locking low form DIN 985 - M5		02.32.00.50.01.20
5	2	640805	adapter for stabilizer bar		64.08.01.01.00.69
6-9	2	64080599	mounting set adapter for stabilizer bar		XXXXXXXXXXXX
6	1	640102	half shell 30, R10, 20x8,5x30, 2xø5,2/18		64.01.02.03.00.29
7	2				01.22.07.98.62.40
8	2		lock washer S5		02.99.10.50.01.10
9	2		washer DIN 125 - A 5,3		02.61.05.31.01.20
10-12	2	650053	S-handle clamp holder 45°, on stabilizer bar		65.14.02.01.00.10
o.B.	2	650063	push bail clamp holder 45° on stabilizer rod		65.14.02.02.00.10
11	1	041340603510	eccentric clamp length 35 mm M6x20, black		04.13.40.60.35.10
12	1		hexagon nut self-locking low form DIN 985 - M6		02.32.00.60.01.20

Push handle standard, cranked, adjustable



pcs.	Q/1	item no.	Product name:	Variant:	drawing no.
1+3-5	1	650532	push handle 15 cm, cranked, extendable, right complete		65.05.30.01.06.28
o.B.	1	650631	push handle 25 cm, cranked, extendable, left complete		65.06.30.01.05.28
2-4+6	1	650552			65.05.50.01.02.00
o.B.	1	650551			65.05.50.01.01.00
altern.	1	650554			65.05.50.02.02.00
o.B.	1	650553			65.05.50.02.01.00
3	2	650160	locking unit for push handles		65.01.30.03.00.10
4	2	046350200010	clamp conductor black, ø 18-20		04.63.50.20.00.10
5	1	650018	handle with bas right - 26x40x112 black		65.00.20.01.02.10
o.B.	1	650019	handle with bas left - 26x40x112 black		65.00.20.01.03.10
6	2	650021	handle PVC soft, curved, ø20 mm		62.37.03.05.00.69

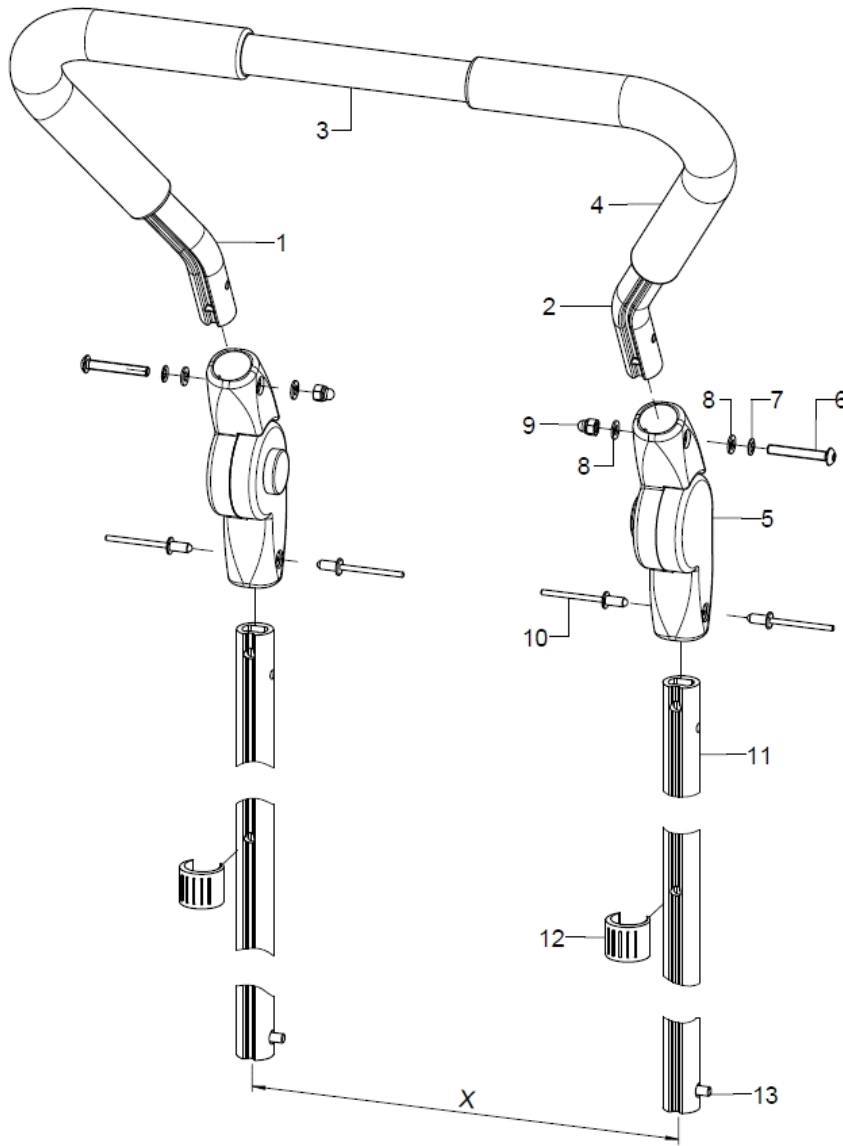
One hand push handle



pcs.	Q/1	item no.	Product name:	Variant:	drawing no.
1-14	1	660202	one-hand push handle detachable, complete		
1	1	660604			66.06.02.03.00.77
2	1	660605			66.05.02.01.00.72
3-4	2	653406	plug for nut M6 incl hexagon nut		65.22.20.10.00.00
4	1		hexagon nut self-locking low form DIN 985 - M6		02.32.00.60.01.20
5-11	1	652220	angle adjusting element metal 307° compl with eccentric clamp and mounting set		65.22.20.99.00.10
6	1	652224	eccentric clamp length 35 mm M6x20, black (incl. spring, nut, washer, bush)		04.13.40.60.35.10
7	2		lens head screw with hexagon socket ISO 7380 - M6x35		01.42.08.59.65.00
8	2		lock washer S6		02.99.10.60.01.10
9	2		washer DIN 125 - A 6,4		02.61.06.41.41.20
10	2		saddle washer Ø12/6x2,5		35.04.16.01.00.10
11	2		hexagon nut self-locking low form DIN 985 - M6		02.32.00.60.01.20
12	1	650160	locking unit for push handles		65.01.30.03.00.10
13	1	046350200010	clamp conductor black, Ø 18-20		04.63.50.20.00.10

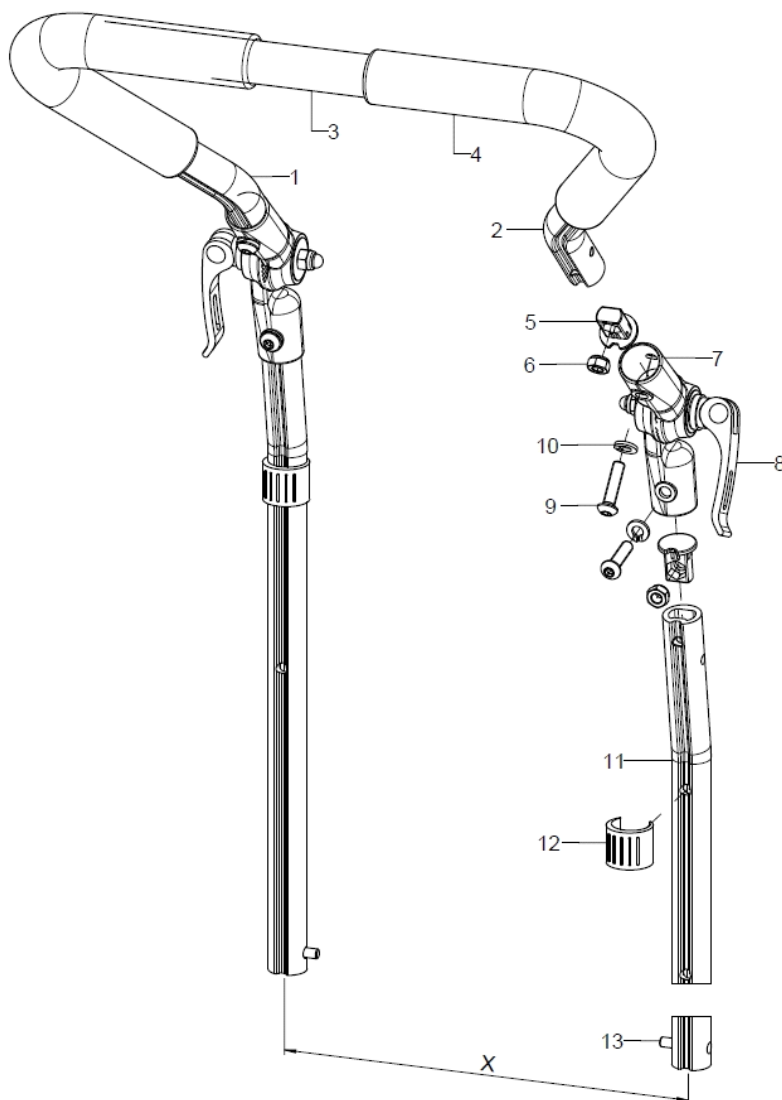
14	1	650018	handle with bas right - 26x40x112 black	65.00.20.01.02.10
15-22	1	650054	holder one-hand push handle 38x37x38 incl. mounting set	66.00.01.01.00.18
16	2		hexagon screw DIN 933 - M6x16	01.04.08.52.02.40
17	2		lock washer S6	02.99.10.60.01.10
18	2		washer DIN 125 - A 6,4	02.61.06.41.41.20
19	1	041340603510	eccentric clamp length 35 mm M6x20, black	04.13.40.60.35.10
20	1		washer DIN 9021 - 6,4	02.79.06.41.60.20
21	1		washer DIN 7349 - 6,4	02.77.06.53.00.20
22	1		hexagon nut self-locking low form DIN 985 - M6	02.32.00.60.01.20

Push bow with synthetic joint



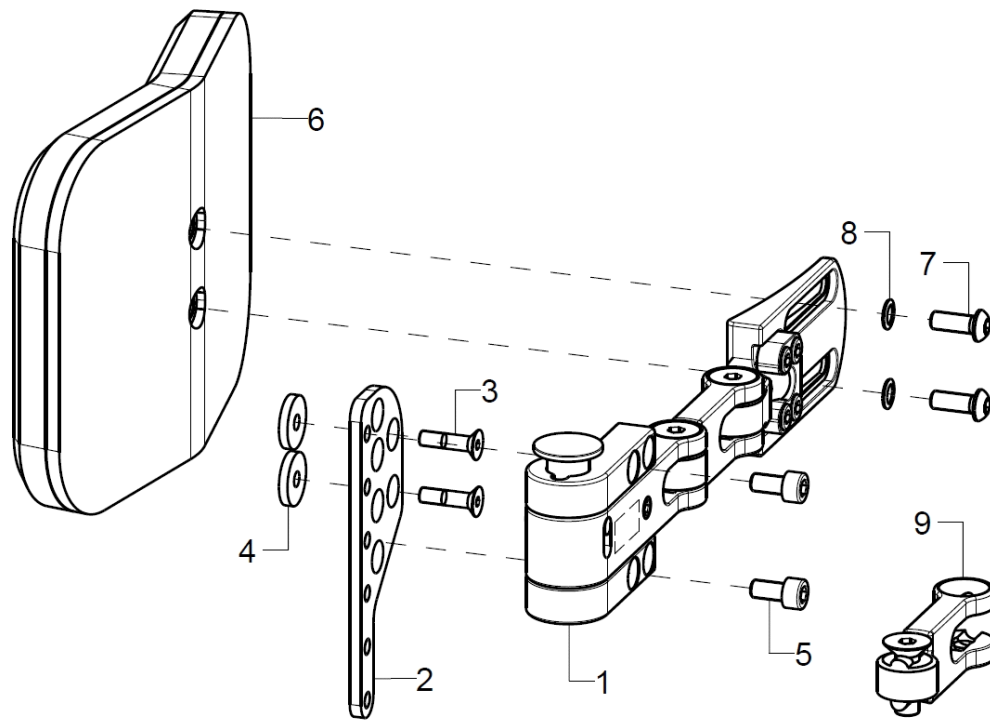
pcs.	Q/1	item no.	Product name:	Variant:	drawing no.
1-13	1	6534	push bail extendable by 22 cm, 205° angle adjustment synthetic joint, complete		XXXXXXXXXXXX
1-4	1	653002	push bail cropped pre-assembled		XX.XX.XX.XX.XX.XX
1	1	653006	push bail left part		65.30.01.02.01.47
2	1	653007	push bail right part		65.30.01.02.02.47
3	1	653004	steel tube incl. riveting		65.30.01.04.00.24
4	2	653005	tube cover - rubber 260 mm		65.30.03.01.00.47
5-10	2	653403	synthetic joint with push knob 205° incl. mounting set		04.03.01.20.01.00
6	1		lens head screw with hexagon socket ISO 7380 - M5x35		01.42.07.99.65.00
7	1		lock washer S5		02.99.10.50.01.10
8	2		washer DIN 125 - A 5,3		02.61.05.31.01.20
9	1		hexagon nut self-locking low form DIN 985 - M5		02.32.00.50.01.20
10	2		blind rivet F5x10 A2/A2		03.64.00.50.10.30
11-13	2	653202	profile tube support 200		65.31.02.01.00.24
12	1	046350200010	clamp conductor black, ø 18-20		04.63.50.20.00.10
13	1	650160	locking unit for push handles		65.01.30.03.00.10

Push bow with metal joint



pcs.	Q/1	item no.	Product name:	Variant:	drawing no.
1-13	1	6532	push bail extendable by 20 cm, 307° angle adjustment metal joint, complete		XXXXXXXXXXXX
1-4	1	653002	push bail cropped pre-assembled		XX.XX.XX.XX.XX.XX
1	1	653006	push bail left part		65.30.01.02.01.47
2	1	653007	push bail right part		65.30.01.02.02.47
3	1	653004	steel tube incl. riveting		65.30.01.04.00.24
4	1	653005	tube cover - rubber 260 mm		65.30.03.01.00.47
5-6	4	653406	plug for nut M6 incl hexagon nut		65.22.20.10.00.00
6	1		hexagon nut self-locking low form DIN 985 - M6		02.32.00.60.01.20
7-10	2	652220	angle adjusting element metal 307° compl with eccentric clamp and mounting set		65.22.20.99.00.10
8	1	652224	eccentric clamp length 35 mm M6x20, black (incl. spring, nut, washer, bush)		04.13.40.60.35.10
9	1		lens head screw with hexagon socket ISO 7380 - M6x25		01.42.08.56.65.00
10	1		spring ring DIN 127- A6		02.85.30.60.05.10
11-13	2	653202	profile tube support 200		65.31.02.01.00.24
12	1	046350200010	clamp conductor black, ø 18-20		04.63.50.20.00.10
13	1	650160	locking unit for push handles		65.01.30.03.00.10

Side truss pad

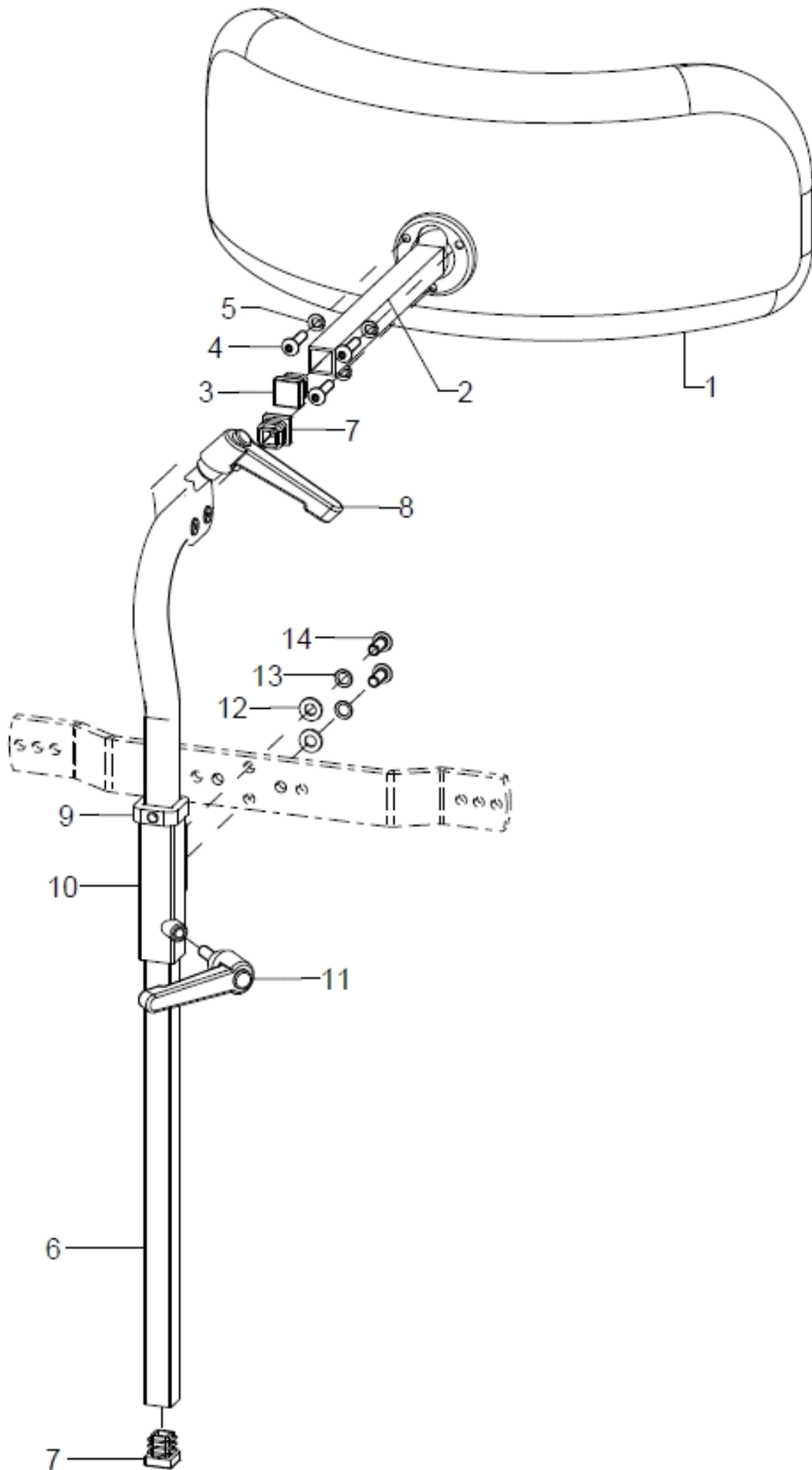


pcs.	Q/1	item no.	Product name:	Variant:	drawing no.
1	1	68590102			68.59.01.00.02.00
o.B.	1	68590101			68.59.01.00.01.00
altern.	1	68590202			68.59.02.00.02.00
o.B.	1	68590201			68.59.02.00.01.00
2-5	1	68590113			68.59.01.25.00.00
o.B.	1	68590114			68.59.02.25.00.00
3	2		counter sunk screw with hexagon socket DIN 7991 M5x20		01.65.07.94.05.00
4	2				26.14.20.02.00.00
5	2		cylinder screw DIN 912 M5x12		01.22.07.89.72.40
o.B.	2		cylinder screw DIN 912 M6x12		01.22.08.49.62.40
6-8	1	68590104			68.59.01.21.00.00
o.B.	1	68590105			68.59.01.22.00.00
o.B.	1	68590204			68.59.01.23.00.00
o.B.	1	68590205			68.59.01.24.00.00
7	2		lens head screw with hexagon socket ISO 7380 - M5x16		01.42.07.92.65.00
o.B.	2		lens head screw with hexagon socket ISO 7380 - M6x16		01.42.08.52.65.00
8	2		lock washer S5		02.99.10.50.01.10
o.B.	2		lock washer S6		02.99.10.60.01.10
9	1	68590103			68.59.01.15.00.00
o.B.	1	68590203			68.59.02.15.00.00

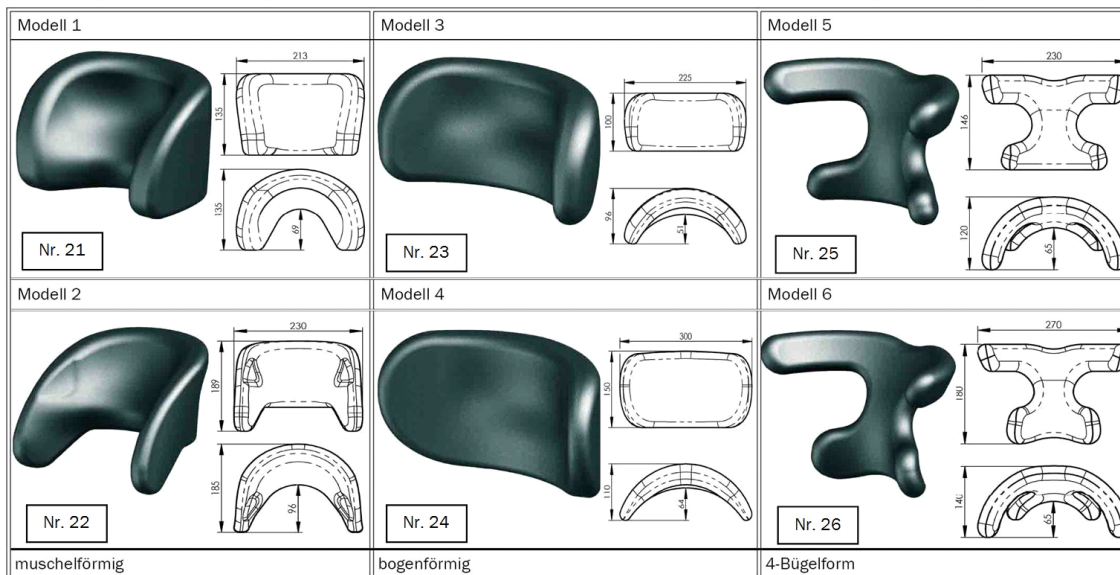
Seitenpelotte Gr. 1 nicht möglich bei:
RH25 und 22" oder 24" Antriebsrad

Seitenpelotte Gr. 2 nicht möglich bei:
RH25 und 22" oder 24" Antriebsrad
RH30 und 24" Antriebsrad

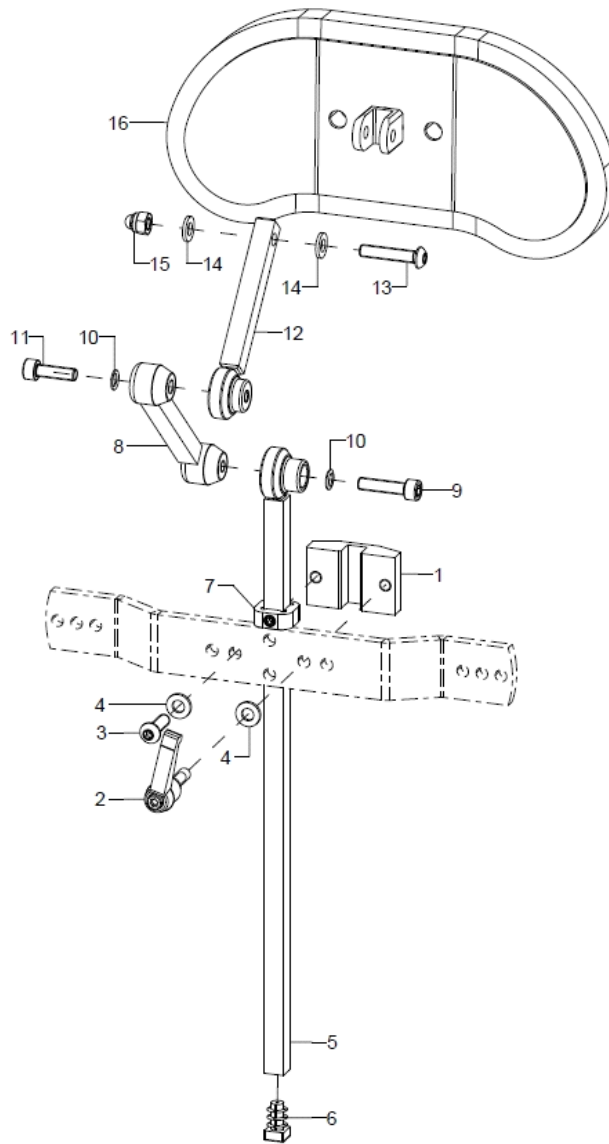
Head rest



pcs.	Q/1	item no.	Product name:	Variant:	drawing no.
1-14	1	686021			
altern.	1	686022			
altern.	1	686023			
altern.	1	686024			
altern.	1	686025			
altern.	1	686026			
1-5	1	686031	head rest cushion model 1, 213x145 mm shell form complete		68.60.15.99.00.10
altern.	1	686032	head rest cushion model 2, 220x189 mm shell form complete		68.60.18.99.00.10
altern.	1	686033	head rest model 3, 225x100 curved complete		68.60.16.99.00.10
altern.	1	686034	head rest model 4, 300x150 curved complete		68.60.19.99.00.10
altern.	1	686035	head rest model 5, 230x120 , 4-curved complete		68.60.20.99.00.10
altern.	1	686036	head rest model 5, 20x140 , 4-curved complete		68.60.21.99.00.10
2	1				
3	1		plugs for square tubes, black 15x15		04.63.11.15.00.10
4	3		lens head screw with hexagon socket ISO 7380 - M5x20		01.42.07.94.65.00
5	3		spring ring DIN 127 - A 5		02.85.30.50.05.10
6-9	1	68600801			68.60.08.99.01.00
7	2		plugs for square tubes, black 15x15		04.63.11.15.00.10
8	1	403110	clamp lever adjustable M6x20, black		04.13.10.60.20.50
9	1	68600805			68.60.08.05.00.00
10-14	1	68600804			68.60.08.04.00.00
11	1	403110	clamp lever adjustable M6x20, black		04.13.10.60.20.50
12	2		washer DIN 125 - A 6,4		02.61.06.41.41.20
13	2		lock washer S6		02.99.10.60.01.10
14	2				



Light weight head rest



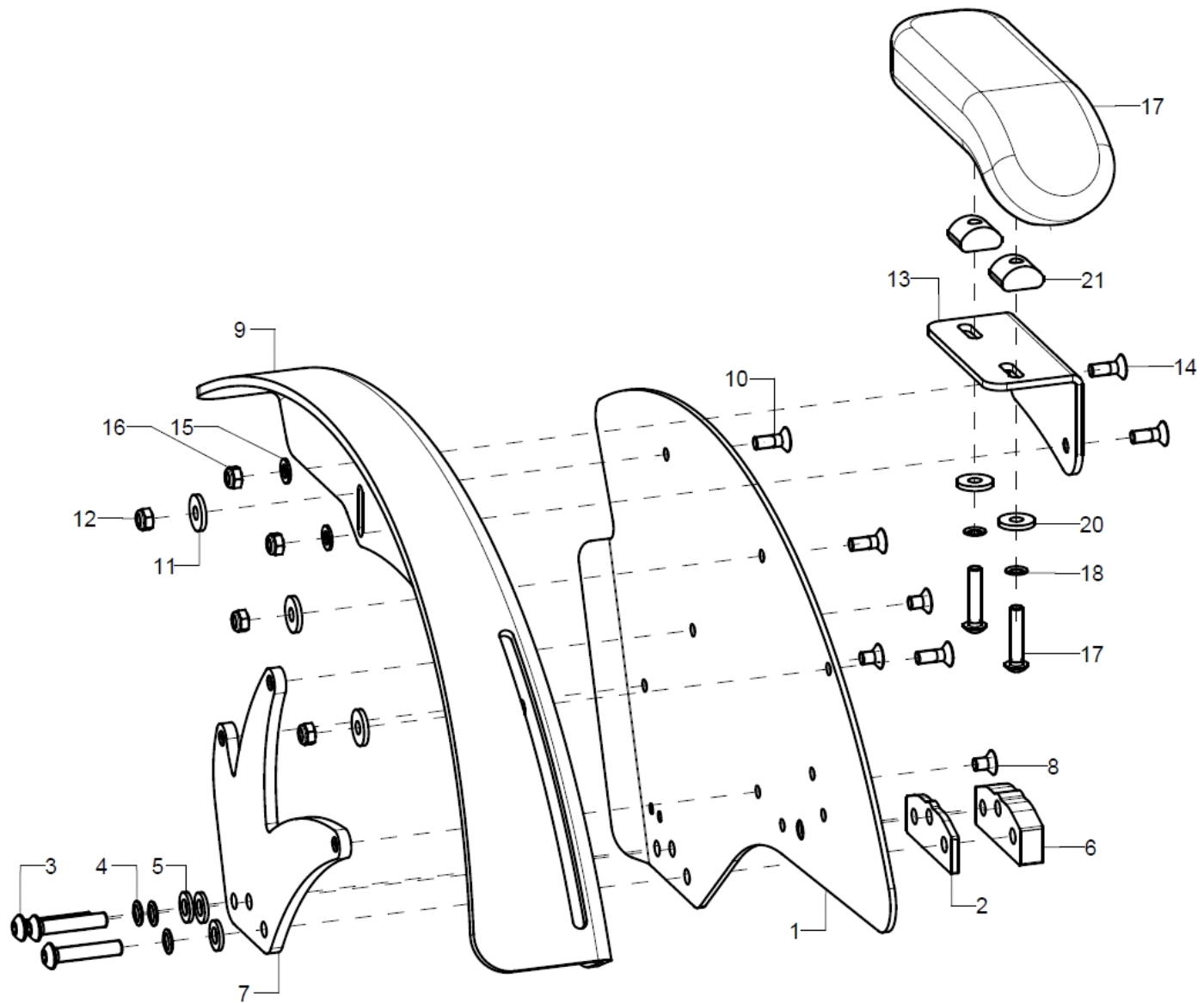
pcs.	Q/1	item no.	Product name:	Variant:	drawing no.
1-16	1	68600920			
o.B.	1	68600921			
1-4	1	68600906			68.60.09.06.00.00
2	1	403110	clamp lever adjustable M6x20, black		04.13.10.60.20.50
3	1		lens head screw with hexagon socket ISO 7380 - M6x20		01.42.08.54.05.00
4	2		washer DIN 125 - A 6,4		02.61.06.41.41.20
5-15	1	68600918			
5-6	1	68600901			68.60.09.01.00.00
6	1				04.63.11.10.00.10
7	1	68600908			68.60.09.08.00.00
8	1	68600903			68.60.09.03.00.00
9	1		cylinder screw DIN 912 M6x25		01.22.08.56.02.40
10	2		lock washer S6		02.99.10.60.01.10
11	1				01.22.08.54.05.00
12	1	68600904			68.60.09.04.00.00
13	1		lens head screw with hexagon socket ISO 7380 - M6x30		01.42.08.58.65.00
14	2		washer DIN 125 - A 6,4		02.61.06.41.41.20
15	1		hexagon cap nut low form with clamp DIN 986 - M6		02.33.00.60.11.20



13-16 1 68600910

o.B. 1 68600911

Side part

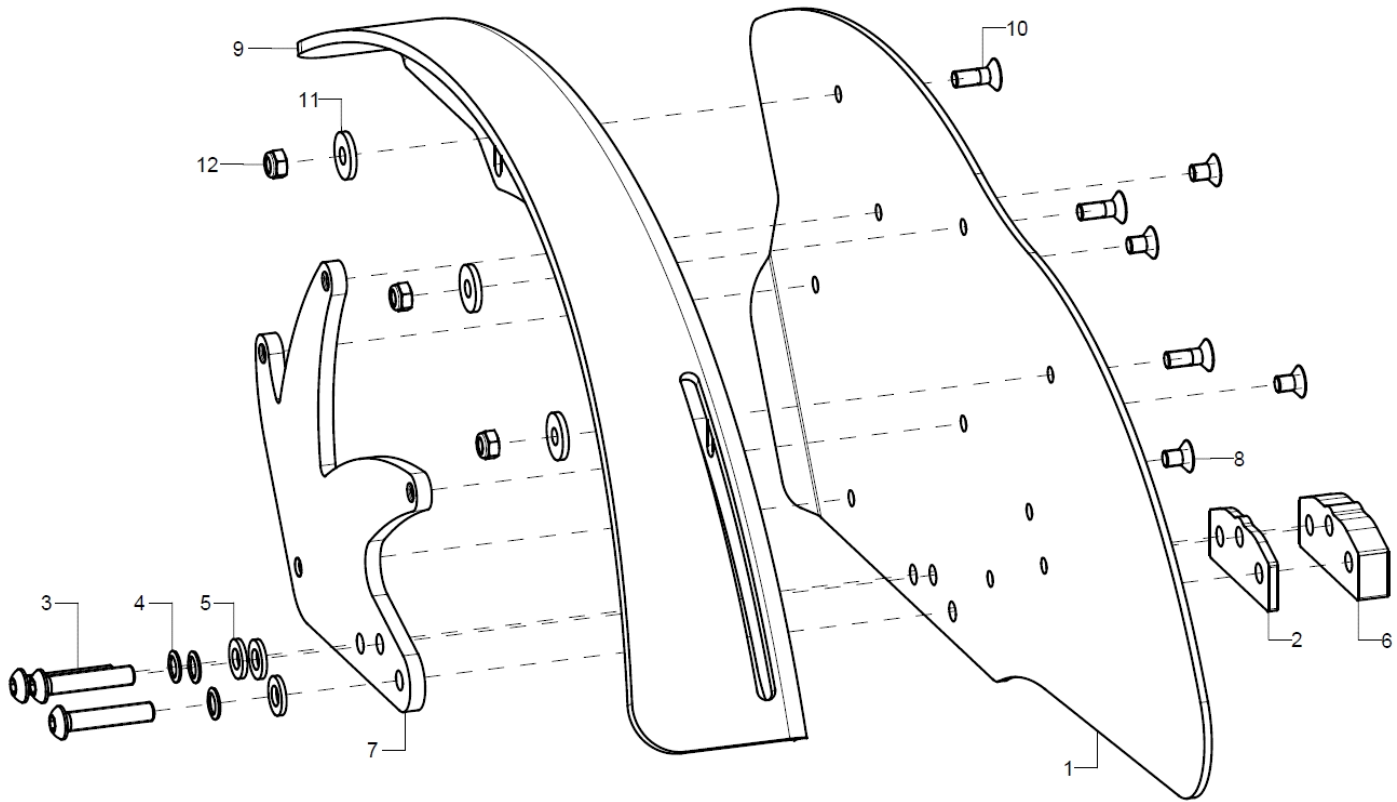


pcs.	Q/1	item no.	Product name:	Variant:	drawing no.
1-5	1	45032002			45.03.20.02.20.77
altern.	1	45032202			45.03.20.02.22.77
altern.	1	45032402			45.03.20.02.24.77
o.B.	1	45032001			45.03.20.01.20.77
altern.	1	45032201			45.03.20.01.22.77
altern.	1	45032401			45.03.20.01.24.77
2-8	2	450398			
2	1				45.03.20.05.00.77
3	3		lens head screw with hexagon socket ISO 7380 - M6x30		01.42.08.58.65.00
o.B.	3		lens head screw with hexagon socket ISO 7380 - M6x40		01.42.08.60.65.00
4	3		lock washer S6		02.99.10.60.01.10
5			washer DIN 125 - A 6,4		02.61.06.41.41.20
6+3	1	45031200			45.03.12.01.00.78
7+8	1	45032003			45.03.20.02.00.77
8	3		counter sunk screw with hexagon socket DIN 7991 M5x8		01.65.07.87.05.00
9	1	50220102	wheel cover 20" right		50.22.01.01.02.72



altern.	1	50220202	wheel cover 22" right	50.22.01.02.02.72
altern.	1	50220302	wheel cover 24" right	50.22.01.03.02.72
o.B.	1	50220101	wheel cover 20" left	50.22.01.01.01.72
altern.	1	50220201	wheel cover 22" left	50.22.01.02.01.72
altern.	1	50220301	wheel cover 24" left	50.22.01.03.01.72
10-12	1	50220199	mounting set wheel cover	XXXXXXXXXXXX
10	3		counter sunk screw with hexogon socket DIN 7991 M5x14	01.65.07.90.05.00
11	3		washer DIN 7349 - 5,3	02.77.05.22.00.20
12	3		hexagon nut self-locking low form DIN 985 - M5	02.32.00.50.01.20
13-15	1	45220702	holder arm rest	45.22.07.02.00.72
14-16	1	45220799	mounting set arm pad holder	XXXXXXXXXXXX
14	2		counter sunk screw with hexogon socket DIN 7991 M5x14	01.65.07.90.05.00
15	2		washer DIN 125 - A 5,3	02.61.05.31.01.20
16	2		hexagon nut self-locking low form DIN 985 - M5	02.32.00.50.01.20
17	1	450005	arm rest, slanted black 160x52x23, 2xM5x164	04.65.01.16.00.10
18-21	1	45220798	mounting set arm pad	XXXXXXXXXXXX
18	2		lens head screw with hexagon socket ISO 7380 - M5x25	01.42.07.96.65.00
19	2		lock washer S5	02.99.10.50.01.10
20	2		washer DIN 7349 - 5,3	02.77.05.22.00.20
21	2		clamp piece half round R 10	72.00.02.05.00.10

Side part wheel base extension



pcs.	Q/1	item no.	Product name:	Variant:	drawing no.
1-5	1	45031302			45.03.13.01.00.78
altern.	1	45031402			45.03.14.01.02.78
altern.	1	45031502			45.03.15.01.02.78
o.B.	1	45031301			45.03.13.01.01.78
altern.	1	45031401			45.03.14.01.01.78
altern.	1	45031501			45.03.15.01.01.78
2-8	2	450397			
2	1				45.03.20.05.00.77
3	3		lens head screw with hexagon socket ISO 7380 - M6x30		01.42.08.58.65.00
o.B.	3		lens head screw with hexagon socket ISO 7380 - M6x40		01.42.08.60.65.00
4	3		lock washer S6		02.99.10.60.01.10
5	3		washer DIN 125 - A 6,4		02.61.06.41.41.20
6+3	1	45031200			45.03.12.01.00.78
7+8	1	45032004			45.03.18.01.00.78
8	4		counter sunk screw with hexagon socket DIN 7991 M5x8		01.65.07.87.05.00
9	1	50220102	wheel cover 20" right		50.22.01.01.02.72



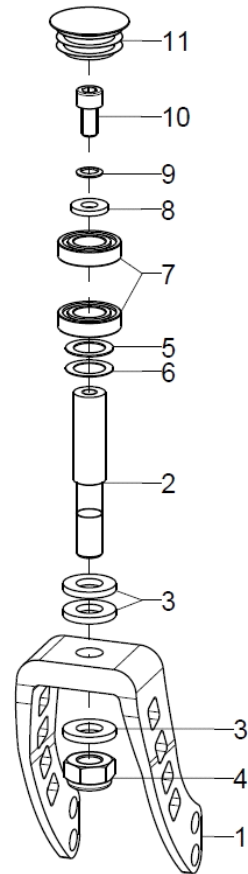
altern.	1	50220101	wheel cover 20" left	50.22.01.01.01.72
altern.	1	50220202	wheel cover 22" right	50.22.01.02.02.72
o.B.	1	50220201	wheel cover 22" left	50.22.01.02.01.72
altern.	1	50220302	wheel cover 24" right	50.22.01.03.02.72
altern.	1	50220301	wheel cover 24" left	50.22.01.03.01.72
10-12	1	50220199	mounting set wheel cover	XXXXXXXXXXXX
10	3		counter sunk screw with hexogon socket DIN 7991 M5x14	01.65.07.90.05.00
11	3		washer DIN 7349 - 5,3	02.77.05.22.00.20
12	3		hexagon nut self-locking low form DIN 985 - M5	02.32.00.50.01.20

Caster wheels

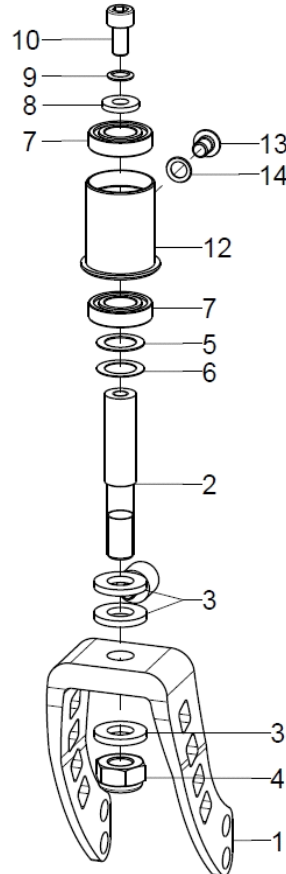
pcs.	Q/1	item no.	Product name:	Variant:	drawing no.
o.B.	2	2812	caster 4", PU		
o.B.	2	2804	steering wheel 4 solid rubber		
o.B.	2	2820	caster 4" PU with LED		
o.B.	2	2835	caster 4" solid rubber black with aluminum rim		04.52.41.04.00.31
o.B.	2	2805	caster 5" PU		
o.B.	2	2809	caster 5" soft solid rubber		
o.B.	2	2834	caster 5" PU, transparent with LED		
o.B.	2	2836	caster 5" solid rubber black with aluminum rim		04.52.41.05.00.61
o.B.	2	289998			

Caster wheel fork

Stier-Rahmen

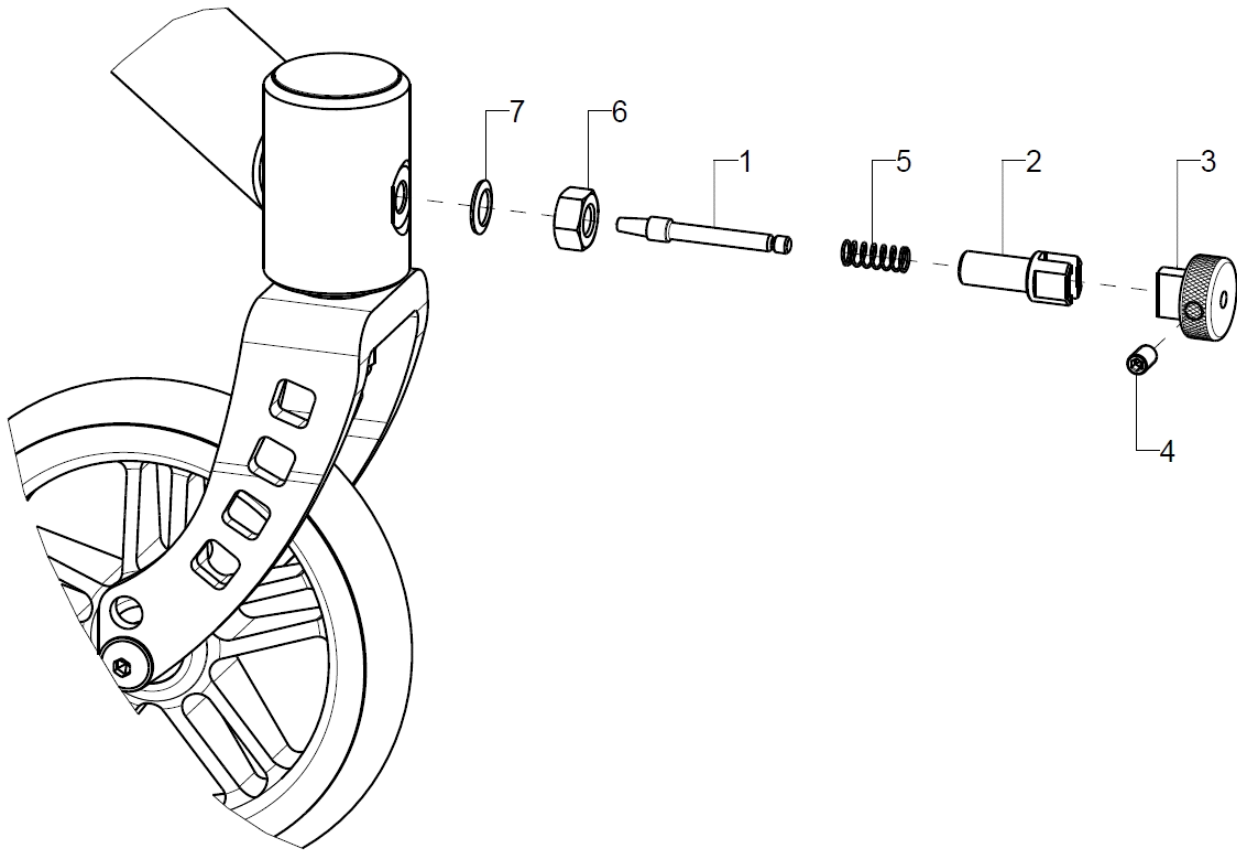


Retro-Rahmen



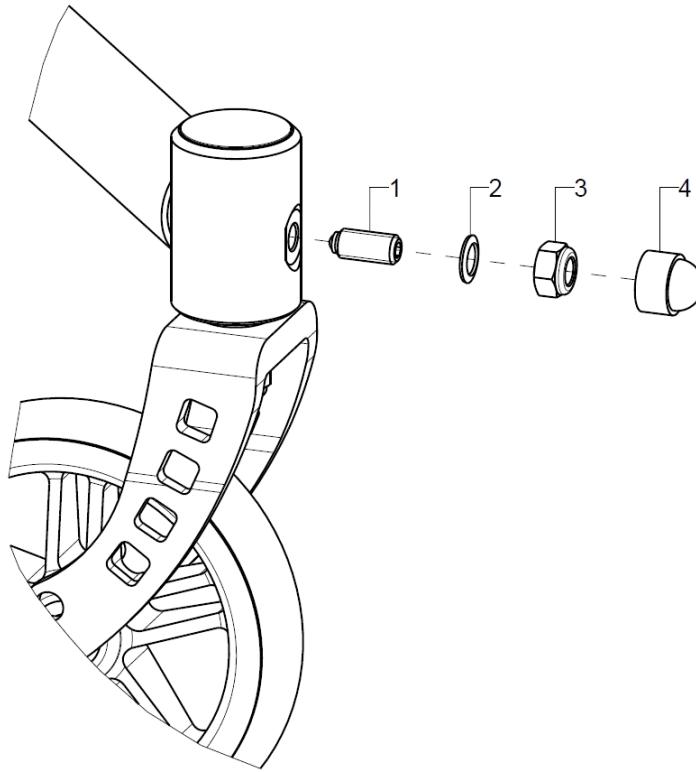
pcs.	Q/1	item no.	Product name:	Variant:	drawing no.
1	2	2843	caster fork aluminum 100x45		28.43.01.00.00.10
2	2	282104	steering axle $\varnothing 12 \times 65$, 1		28.21.05.01.00.10
3-4	2	282120	mounting set caster axle on caster fork aluminum (washers, hexagon nut)		28.21.20.01.01.00
3	3		washer DIN 1440 -10x20x2,5		02.71.10.02.50.20
4	1		hexagon nut self-locking low form DIN 985 - M10		02.32.01.00.01.20
5-11	2	282127			
5	1		fitted washer DIN 988 - 12x18x0,5		02.68.12.00.50.30
6	1		fitted washer DIN 988 - 12x18x0,3		02.68.12.00.30.30
7	2		grooved ball bearing $\varnothing 24/12 \times 6$		04.32.12.06.00.10
8	1		washer reinforced $\varnothing 14/6,2 \times 2$		58.30.15.01.00.24
9	1		lock washer S6		02.99.10.60.01.10
10	1		cylinder screw DIN 912 M6x12		01.22.08.49.62.40
11	1	282129			04.63.10.30.00.11
5-10+12-14	2	282125	mounting set caster axle for Mio Retro		XXXXXXXXXXXX
12	1				28.00.73.01.00.73
13	1		lens head screw with hexagon socket ISO 7380 - M6x8		01.42.08.47.65.00
14	1		lock washer S6		02.99.10.60.01.10

Track locking



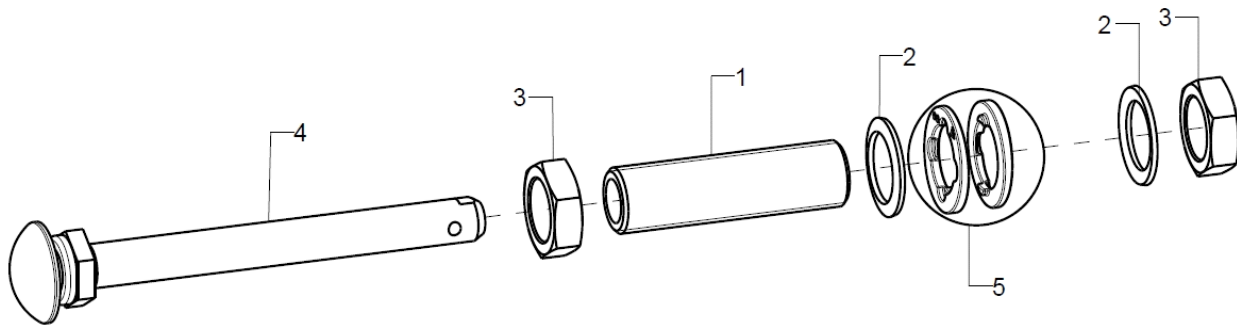
pcs.	Q/1	item no.	Product name:	Variant:	drawing no.
1-7	2	285003	track fixation complete		XXXXXXXXXXXX
1	1				28.50.01.01.00.10
2	1				28.50.01.02.00.10
3	1				28.50.01.03.00.10
4	1		setscrew with hexagon socket DIN 913,M5x8		01.67.07.87.61.20
5	1		pressure spring 0,55x5,5x23,7		04.21.05.52.37.10
6	1		hexagon nut DIN 934 - M8		02.19.00.80.01.20
7	1		lock washer S8		02.99.10.80.01.10

Track fixation



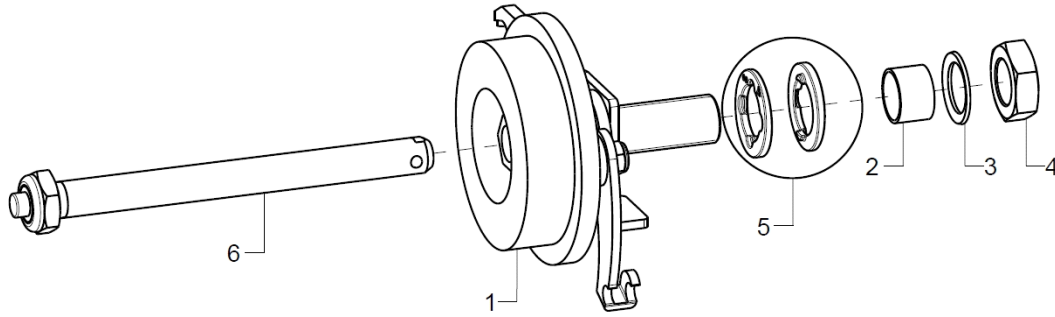
pcs.	Q/1	item no.	Product name:	Variant:	drawing no.
1-4	2	285103	spring pressure piece M8 complete		04.14.50.80.21.20
1	1		elastic pressure piece M8		04.14.50.80.21.20
2	1		lock washer S8		02.99.10.80.01.10
3	1		hexagon nut self-locking low form DIN 985 - M8		02.32.00.80.01.20
4	1		hexagon protection cap for SW13, black (M8)		04.63.06.13.00.10

Axle adapter



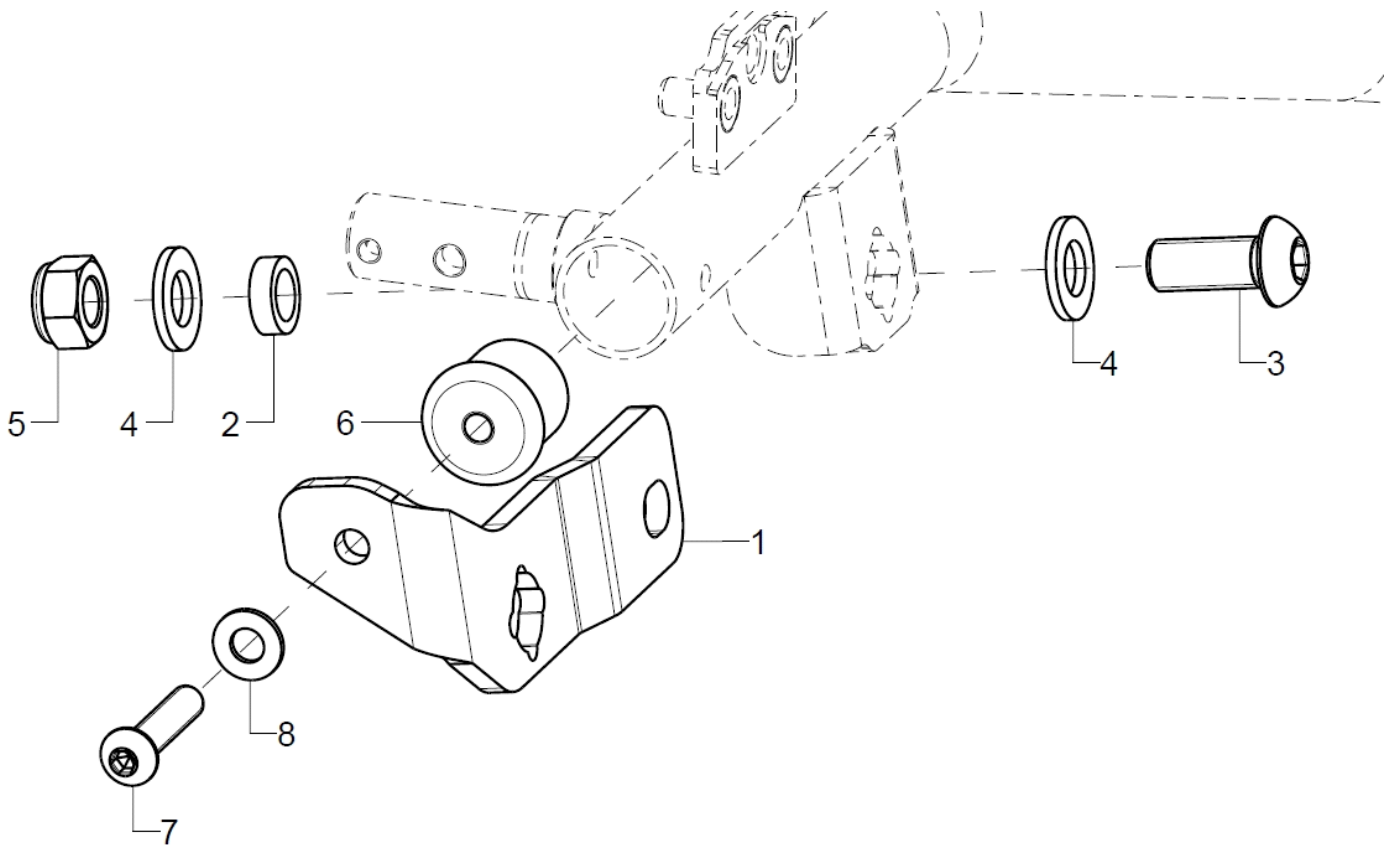
pcs.	Q/1	item no.	Product name:	Variant:	drawing no.
1-3	1	210026	axle adapter M18x1 d12,7 65mm incl. mounting set		04.51.61.26.52.02
2	2		lock washer S18		02.99.11.80.01.10
3	2		hexagon nut M18x1		02.19.01.30.11.21
4	2	210003	quick-release axle 12,7x103 mm for standard hub from 5/2013 and light weight wheel		04.51.51.21.00.31
5	2	20150503			20.15.05.03.01.00
o.B.	2	20150501			20.15.05.01.01.00
o.B.	2	20150504			

Drum brake anchor



pcs.	Q/1	item no.	Product name:	Variant:	drawing no.
1	2	220005	drum brake body complete, incl. adapter and counter wrench		22.00.01.99.00.10
o.B.	2	220013	drum brake anchor pre-assembled		
2	2				
3	2		lock washer S16		02.99.11.60.01.10
4	2		nut M16x1 SW 24		02.19.01.60.11.21
5	2	20150503			20.15.05.03.01.00
o.B.	2	20150504			
6	1	220001	quick-release axle D12x123mm for drum brake		04.51.51.21.20.30

Wheel base extension

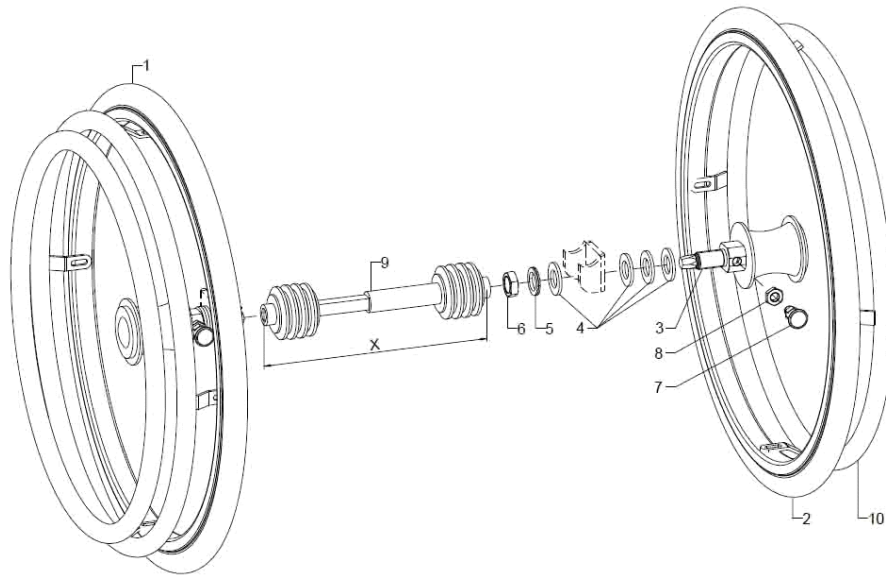


pcs.	Q/1	item no.	Product name:	Variant:	drawing no.
1-8	1	767802			76.78.01.00.02.78
o.B.	1	767801			76.78.01.00.01.78
2	1	767803			76.78.01.03.00.78
3	1				01.42.12.78.62.40
4	2		washer DIN 125 - A 13 - PA black		02.61.13.02.51.71
5	1				02.32.01.20.01.20
6	1	767804			76.78.01.02.00.78
7	1		lens head screw with hexagon socket ISO 7380 - M8x40		01.42.09.80.65.00
8	1		washer DIN 125 - A 8,4		02.61.08.41.41.20

Rear wheels

pcs.	Q/1	item no.	Product name:	Variant:	drawing no.
o.B.	2	212000	driving wheel 20" with standard hub		
o.B.	2	212200	22" driving wheel with standard hub		
o.B.	2	212400	24" driving wheel standard hub		
o.B.	2	222000	20" driving wheel with drum brake		
o.B.	2	222200	22" driving wheel with drum brake		
o.B.	2	222400	24" driving wheel standard with drum brake		
o.B.	2	212040	20" profile wheel with built-in hand rim, standard hub		
o.B.	2	212240	22" profile wheel with built-in hand rim, standard hub		
o.B.	2	212440	24" profile wheel with built-in hand rim, standard hub		
o.B.	2	222040	20" profile wheel with built-in hand rim with drum brake		
o.B.	2	222240	22" profile wheel with built-in hand rim with drum brake		
o.B.	2	222440	24" profile wheel with built-in hand rim with drum brake		
o.B.	2	212077	20" lightweight wheel with hand rim, standard		
o.B.	2	212277	22" lightweight wheel with hand rim, standard		
o.B.	2	212477	24" lightweight wheel with hand rim, standard		
o.B.	2	212081	20" lightweight wheel with drum brake hub, black		
o.B.	2	212281	22" lightweight wheel with drum brake, black		
o.B.	2	212481	24" lightweight wheel with drum brake, black		
o.B.	2	200011	groove ball bearing ø28/12 6001z		04.32.12.08.00.10

Double handrim Standard



pcs.	Q/1	item no.	Product name:	Variant:	drawing no.
1-9	1	261401	double handrim 20" standard hub incl. drag anchor, brake arm and telescope rod		XXXXXXXXXXXX
1-9	1	261403	double handrim 22" standard hub incl. drag anchor, brake arm and telescope rod		XXXXXXXXXXXX
1-9	1	261405	double handrim 24" standard hub incl. drag anchor, brake arm and telescope rod		XXXXXXXXXXXX
1+3-9	1	261440	20" double handrim driving wheel standard hub, driving side		XXXXXXXXXXXX
1+3-9	1	261442	22" double handrim driving wheel standard hub, driving side		XXXXXXXXXXXX
1+3-9	1	261444	24" double handrim driving wheel standard hub, driving side		XXXXXXXXXXXX
2-8	1	261441	20" double handrim driving wheel standard hub, opposite side		XXXXXXXXXXXX
2-8	1	261443	22" double handrim driving wheel standard hub, opposite side		XXXXXXXXXXXX
2-8	1	261445	24" double handrim driving wheel standard hub, opposite side		XXXXXXXXXXXX
3-8	2	261429	mounting set DHR drum brake 3-8		XXXXXXXXXXXX
3	1				
4	4		washer DIN 125 - B 19		02.61.19.02.72.20
5	1		lock washer M18 (Nord-Lock)		02.99.21.95.01.10
6	1		hexagon nut M18x1		02.19.01.30.11.21
7	1		latch ø6/M10x1x31 with lock		04.14.43.60.02.00
8	1		hexagon nut DIN 934 - M10		02.19.01.00.01.20
9	1	2614XX	telescoping tube for double handrim		
10	1	261430	hand rim for other side 20"		XXXXXXXXXXXX
o.B.	1	261431	hand rim for other side 22"		XXXXXXXXXXXX
o.B.	1	261432	hand rim for other side 24"		XXXXXXXXXXXX

Art.-Nr.:	Einstellbereich X	SB
261412	Teleskopstange 170 - 195mm	SB20 + 22
261413	Teleskopstange 220 - 275mm	SB24 + 26
261414	Teleskopstange 255 - 315mm	SB28 + 30
261415	Teleskopstange 295 - 370mm	SB32 + 34

Aufgrund der unterschiedlichen Radstureinstellungen kann das Maß X sich verändern. In diesem Fall ist das nächstgrößere bzw. kleinere Teleskop zu verwenden.

Tyres

pcs.	Q/1	item no.	Product name:	Variant:	drawing no.
o.B.	2	202013	tire for pneumatic tube 20x1" Right Run, grey/black		
o.B.	2	202213	tire for pneumatic tube 22x1" Right Run, grey/black		
o.B.	2	202413	tire for pneumatic tube 24x1" Right Run, grey/black		
o.B.	2	202414	tire for pneumatic tube 24x1" Right Run blue/black		
o.B.	2	202415	tire for pneumatic tube 24x1" Right Run red/black		
o.B.	2	232011	puncture proof tires 20x1"		
o.B.	2	232211	puncture proof tires 22x1"		
o.B.	2	232411	puncture proof tires 24x1"		
o.B.	2	232012			04.61.22.00.10.11
o.B.	2	232212			04.61.22.20.10.11
o.B.	2	232412			04.61.22.40.10.11
o.B.	2	202212	tire for pneumatic tube 22x1" Marathon plus, black		
o.B.	2	202412	tire for pneumatic tube 24x1" Marathon plus, black		
o.B.	2	200520	tube 20"		
o.B.	2	200522	tube 22"		
o.B.	2	200524	tube 24"		

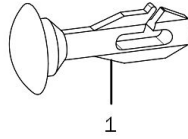
Handrim

pcs.	Q/1	item no.	Product name:	Variant:	drawing no.
o.B.	2	302101	handrim 20" high, stainless steel polished		
o.B.	2	302201	handrim 22" standard, stainless steel polished		
o.B.	2	302301	handrim 22" high, stainless steel polished		
o.B.	2	302401	handrim 24" standard, stainless steel polished		
o.B.	2	302501	handrim 24" high, stainless steel polished		
o.B.	2	302102	handrim 20" high, aluminum coated		
o.B.	2	302202	handrim 22" standard, aluminum coated		
o.B.	2	302302	handrim 22" high, aluminum coated		
o.B.	2	302402	handrim 24" standard, aluminum coated		
o.B.	2	302502	handrim 24" high, aluminum coated		
o.B.	2	3420	Maxgrepp-handrim 20", 4 loops complete		
o.B.	2	3422	Maxgrepp-handrim 22", 4 loops complete		
o.B.	2	3424	Maxgrepp-handrim 24", 4 loops complete		
o.B.	2	3320	hand rim aluminium, 20", black, pvc coating		
o.B.	2	3322	hand rim aluminium, 22", black, pvc coating		
o.B.	2	3324	hand rim aluminium, 24", black, pvc coating		
o.B.	2	342405	handrim SURGE 24", 6 lugs		
o.B.	2	302078			
o.B.	2	302278			
o.B.	2	302478			

Handrim covers

pcs.	Q/1	item no.	Product name:	Variant:	drawing no.
o.B.	2	322004			04.67.06.20.00.20
o.B.	2	322002	handrim cover silicone black ø442		04.67.06.20.00.40
o.B.	2	322008	handrim cover 20" silicone inside		04.67.06.20.00.10
o.B.	2	322202	handrim cover silicone black ø478		04.67.06.22.00.30
o.B.	2	322205	handrim cover silicone black ø453		04.67.06.22.00.20
o.B.	2	322208	handrim cover silicone black ø388		04.67.06.22.00.10
o.B.	2	322402	handrim cover silicone black ø532		04.67.06.24.00.30
o.B.	2	322404	handrim cover silicone black ø504		04.67.06.24.00.10
o.B.	2	322405	handrim cover silicone black ø514		04.67.06.24.00.20
o.B.	2	322603	handrim cover silicone black ø565		04.67.06.24.00.40
o.B.	2	322001	handrim cover profile wheel, Ergo 20"		
o.B.	2	322201	handrim cover profile wheel, Ergo 22"		
o.B.	2	322401	handrim cover profile wheel, Ergo 24"		

Spoke cover

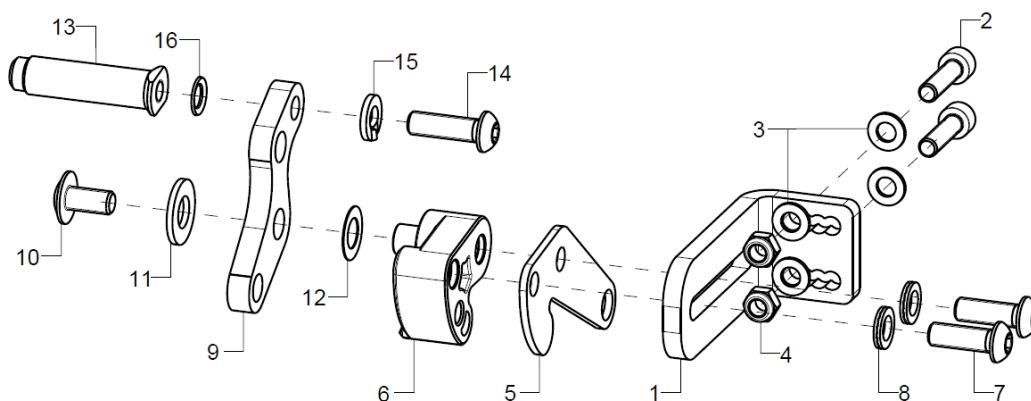


pcs.	Q/1	item no.	Product name:	Variant:	drawing no.
1	1	250001	clip for transparent spoke cover		25.00.99.01.00.10
o.B.	2	252000	spoke cover 20", Unicolor transparent		
o.B.	2	252200	spoke cover 22", Unicolor transparent		
o.B.	2	252400	spoke cover 24", Unicolor transparent		

Design-Dekor-Speichenschützer können Sie unter den folgenden Internetadressen wählen:

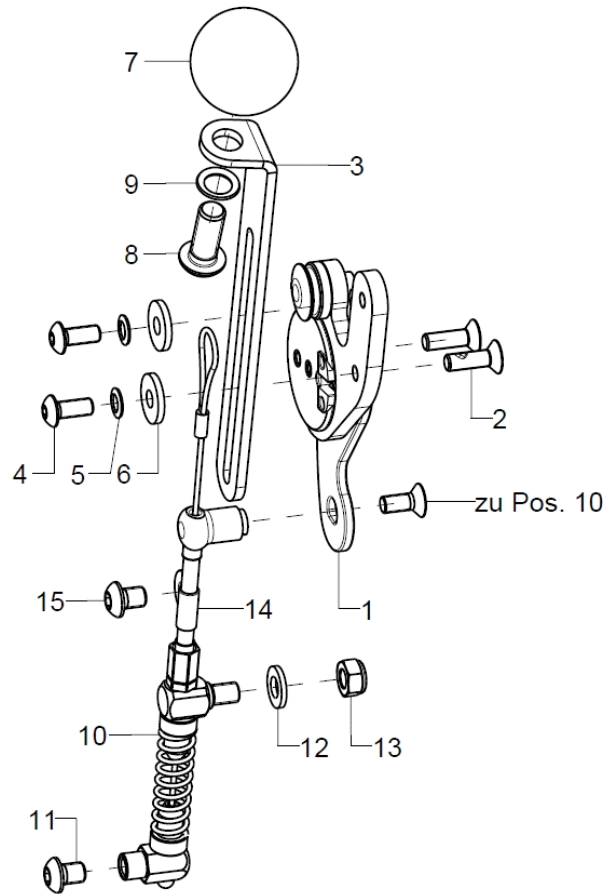
www.blueprince.de
www.speichen-schutz.de
www.wheelchairgadgets.com

Bowden cable brake pressure piece



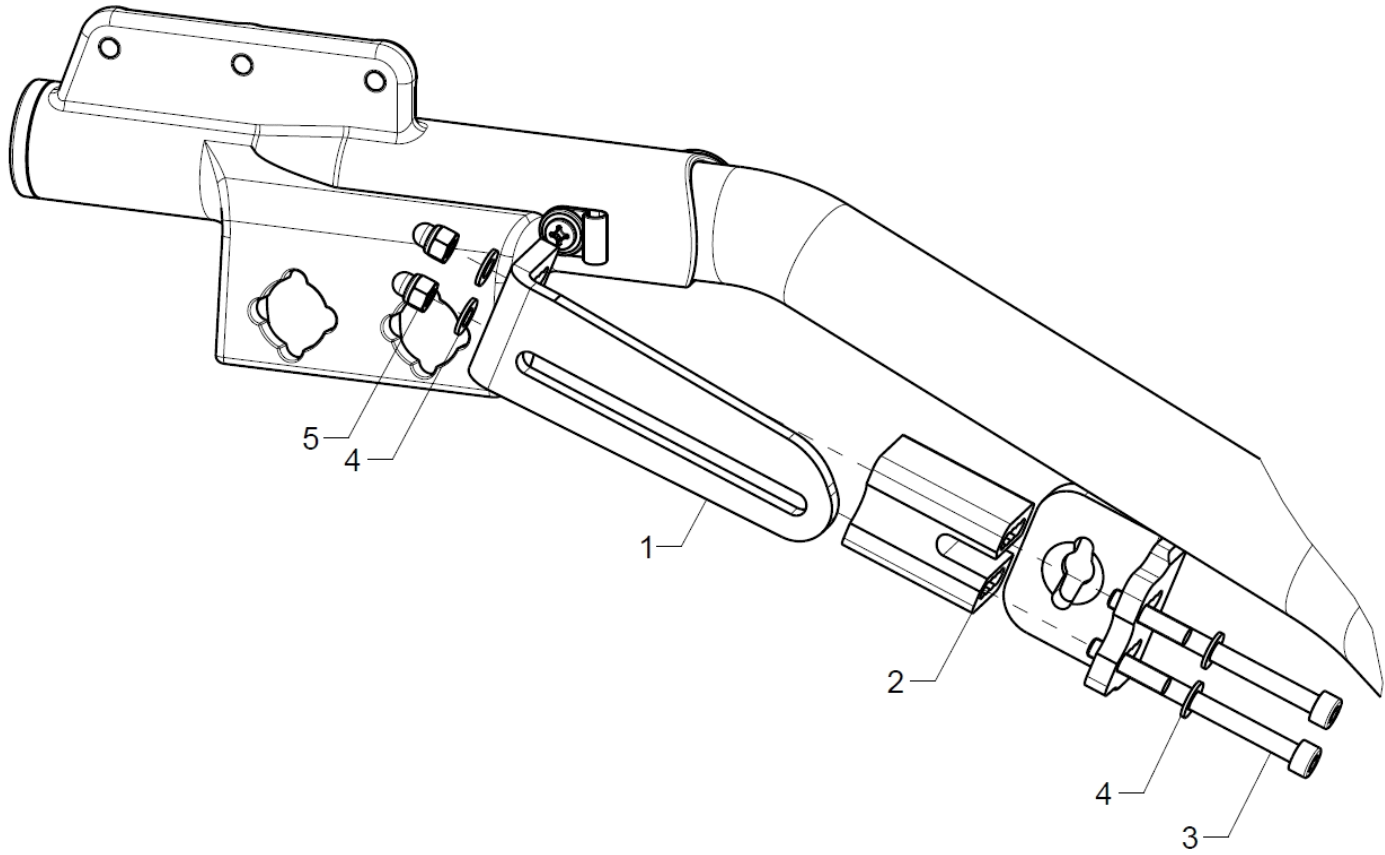
pcs.	Q/1	item no.	Product name:	Variant:	drawing no.
1-4	2	35351001			35.35.20.01.00.78
2	2		cylinder screw DIN 912 M5x20		01.22.07.94.72.40
3	4		washer DIN 125 - A 5,3		02.61.05.31.01.20
4	2		hexagon nut self-locking low form DIN 985 - M5		02.32.00.50.01.20
5-12	1	35360110			
o.B.	1	35360109			
5	1				35.34.01.01.00.00
6-8	1				35.35.01.01.00.78
o.B.	1				35.35.01.01.01.78
7	2		lens head screw with hexagon socket ISO 7380 - M6x18		01.42.08.53.05.00
o.B.	2		hexagon screw DIN 933 - M6x16		01.04.08.52.02.40
8	2		lock washer M6 (Nord-Lock)		02.99.20.65.01.10
9-12	1				35.34.01.05.00.00
10	1				01.43.08.48.62.61
11	1		washer DIN 125 - A 8,4 - PA black		02.61.08.41.61.71
12	1				02.68.08.03.00.30
13-16	1	352512			35.25.01.21.00.00
o.B.	1	352511			35.25.01.14.00.00
altern.	1	352518	brake bolt 40 mm left-hand thread incl. mounting set		35.25.01.18.00.10
o.B.	1	352506	brake bolt milled 40 mm incl. mounting set		35.25.01.15.00.10
altern.	1	352519	brake bolt 50 mm left-hand thread incl. mounting set		35.25.01.19.00.10
o.B.	1	352507	brake bolt milled 50 mm incl. mounting set		35.25.01.16.00.10
14	1		lens head screw with hexagon socket ISO 7380 , M6x20 left-hand thread		01.42.08.54.05.01
o.B.	1		lens head screw with hexagon socket ISO 7380 - M6x20		01.42.08.54.05.00
15	1		spring ring DIN 127- A6		02.85.30.60.05.10
16	1		lock washer S6		02.99.10.60.01.10

Bowden cable brake control/non-control sides



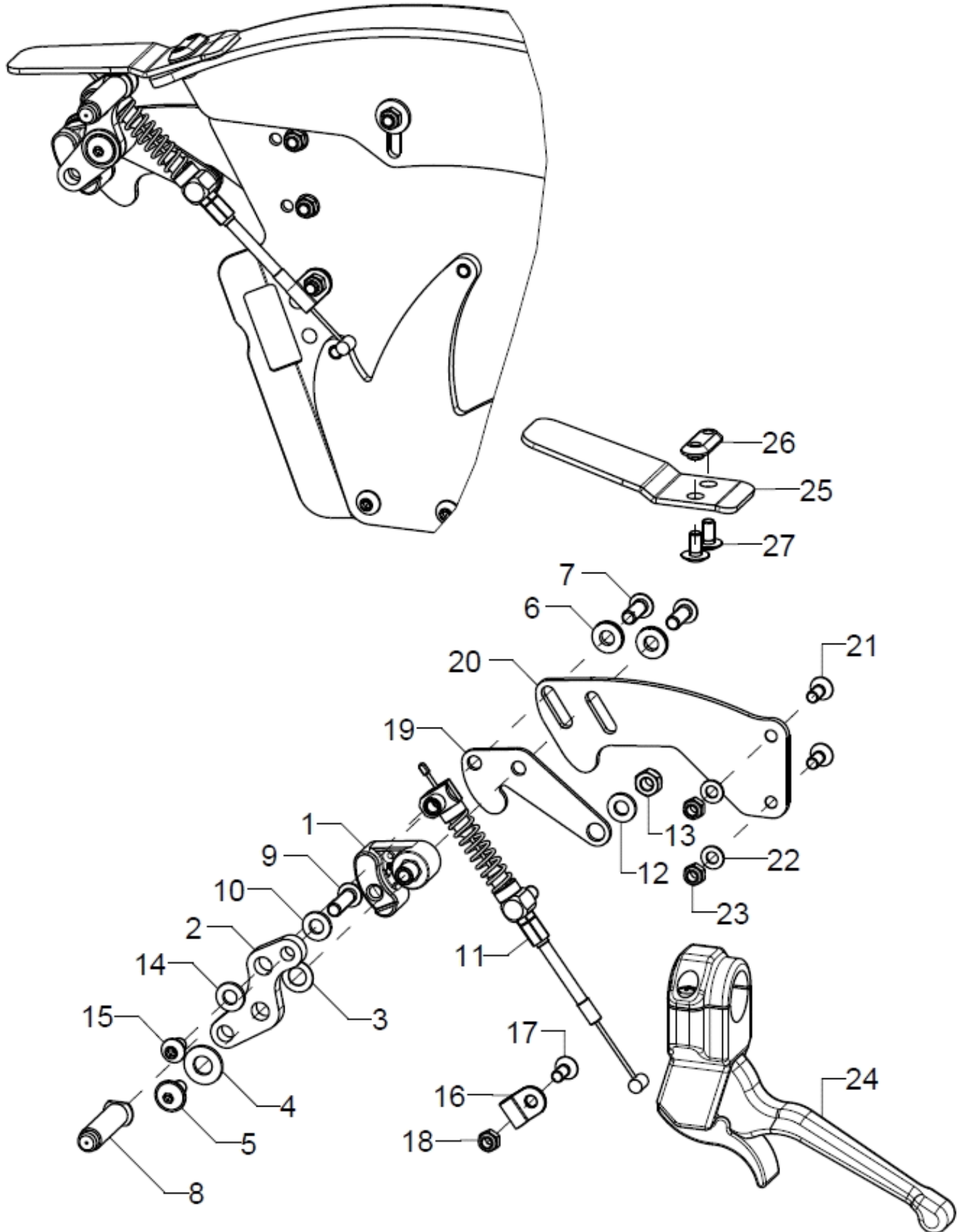
pcs.	Q/1	item no.	Product name:	Variant:	drawing no.
1-2	1	35310504	operating unit for Bowden cable brake right, premounted incl. screws		35.31.05.99.02.72
o.B.	1	35310503	operating unit bowden cable brake left		35.31.05.99.01.72
2	2		counter sunk screw with hexagon socket DIN 7991 M5x16		01.65.07.92.05.00
3	1	35300104	brake lever, 3x20,6x21x127, right		35.30.01.01.02.66
o.B.	1	35300103	brake lever, 3x20,6x21x127, left		35.30.01.01.01.66
4-9	1	35310599	mounting set brake lever extension		XXXXXXXXXXXX
4	2		lens head screw with hexagon socket ISO 7380 - M5x12		01.42.07.89.65.00
5	2		lock washer S5		02.99.10.50.01.10
6	2		washer DIN 7349 - 5,3		02.77.05.22.00.20
7	1		ball knob $\varnothing 32/M8$, form C, black		04.06.13.20.80.50
8	1		lens head screw with hexagon socket ISO 7380 - M8x20		01.42.09.74.65.00
9	1		lock washer S8		02.99.10.80.01.10
10-13	1	35360100			
11	1		lens head screw with hexagon socket ISO 7380 - M6x8		01.42.08.47.65.00
12	1		washer DIN 125 - A 6,4		02.61.06.41.41.20
13	1		hexagon nut self-locking low form DIN 985 - M6		02.32.00.60.01.20
14+15	1	35360205			041420401901
15	1		lens head screw with hexagon socket ISO 7380 - M6x8		01.42.08.47.65.00

Brake for wheel base extension



pcs.	Q/1	item no.	Product name:	Variant:	drawing no.
1-5	1	35351004			35.35.10.01.00.78
o.B.	1	35351003			35.35.10.01.01.78
2	1				35.35.20.02.00.78
3	2				
4	2		washer DIN 125 - A 5,3		02.61.05.31.01.20
5	2		hexagon nut self-locking low form DIN 985 - M5		02.32.00.50.01.20

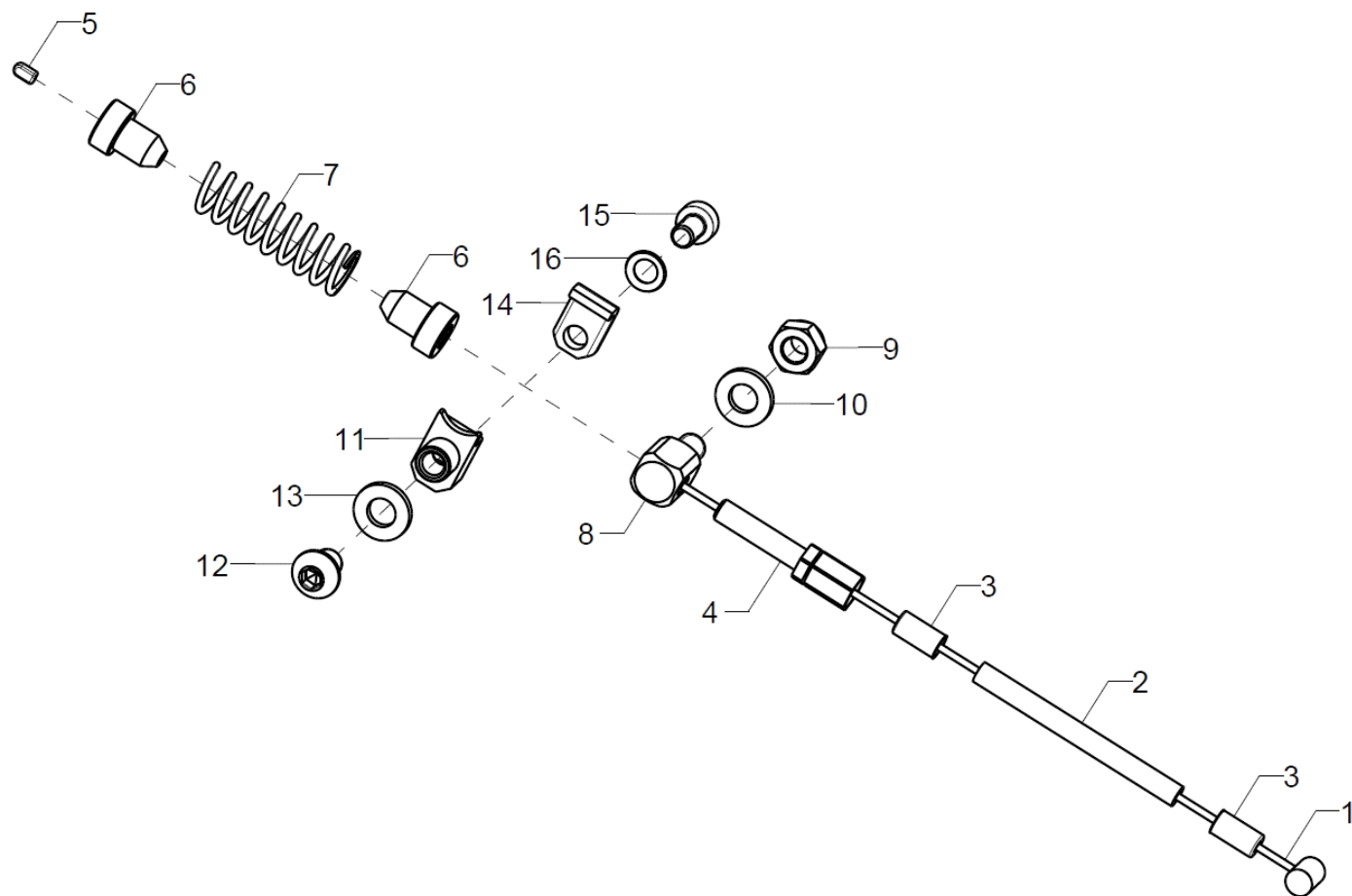
Companion locking brake





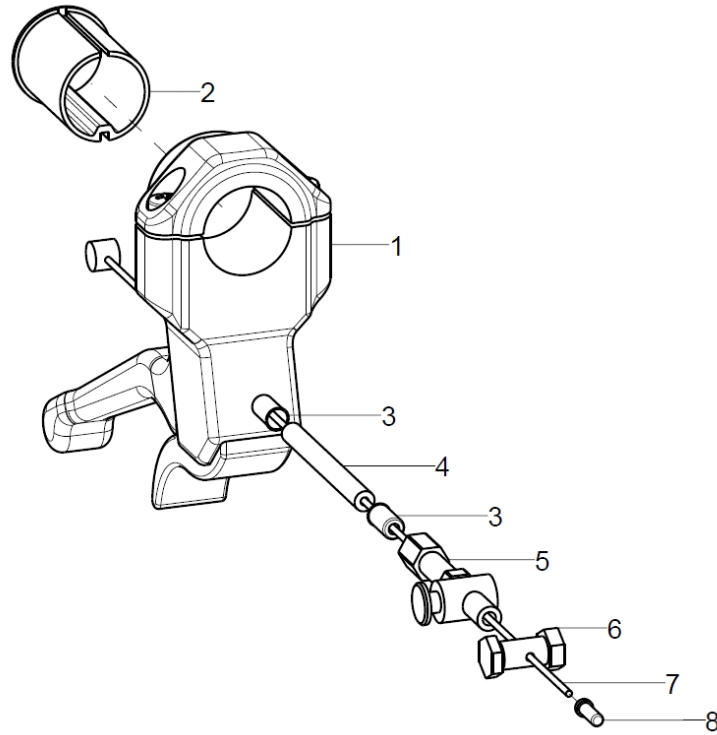
pcs.	Q/1	item no.	Product name:	Variant:	drawing no.
1-24	1	35360202			
o.B	1	35360201			
1-7+19	1	35360204			
o.B	1	35360203			
1	1				35.35.01.01.01.78
o.B.	1				35.35.01.01.00.78
2	1				35.34.01.05.00.00
3	1				02.68.08.03.00.30
4	1		washer DIN 125 - A 8,4 - PA black		02.61.08.41.61.71
5	1				01.43.08.48.62.61
6	2		lock washer M6 (Nord-Lock)		02.99.20.65.01.10
7	2		lens head screw with hexagon socket ISO 7380 - M6x16		01.42.08.52.65.00
8-10	1	352518	brake bolt 40 mm left-hand thread incl. mounting set		35.25.01.18.00.10
o.B.	1	352506	brake bolt milled 40 mm incl. mounting set		35.25.01.15.00.10
9	1		lens head screw with hexagon socket ISO 7380 , M6x20 left-hand thread		01.42.08.54.05.01
o.B.	1		lens head screw with hexagon socket ISO 7380 - M6x20		01.42.08.54.05.00
10	1		washer DIN 125 - A 6,4		02.61.06.41.41.20
11-18	1	35360210			
12	1		washer DIN 125 - A 6,4		02.61.06.41.41.20
13	1		hexagon nut self-locking low form DIN 985 - M6		02.32.00.60.01.20
14	1		washer DIN 125 - A 6,4		02.61.06.41.41.20
15	1		lens head screw with hexagon socket ISO 7380 - M6x8		01.42.08.47.65.00
16-18	1	35360205			041420401901
17	1		counter sunk screw with hexagon socket DIN 7991 M5x12		01.65.07.89.05.00
18	1		hexagon nut self-locking low form DIN 985 - M5		02.32.00.50.01.20
19	1	35350104			353401010000
20-23	1	35360215			353602010078
o.B	1	35360216			35.36.02.02.00.78
21	2		counter sunk screw with hexagon socket DIN 7991 M5x12		01.65.07.89.05.00
22	2		washer DIN 125 - A 5,3		02.61.05.31.01.20
23	2		hexagon nut self-locking low form DIN 985 - M5		02.32.00.50.01.20
24	1	352010	hand brake lever for attendant brake incl. mounting set		04.54.92.22.20.10
25-27	1	35360206			35.36.02.05.00.78
26	1				35.36.02.06.00.78
27	2				01.43.07.88.62.60

Cable for companion locking brake



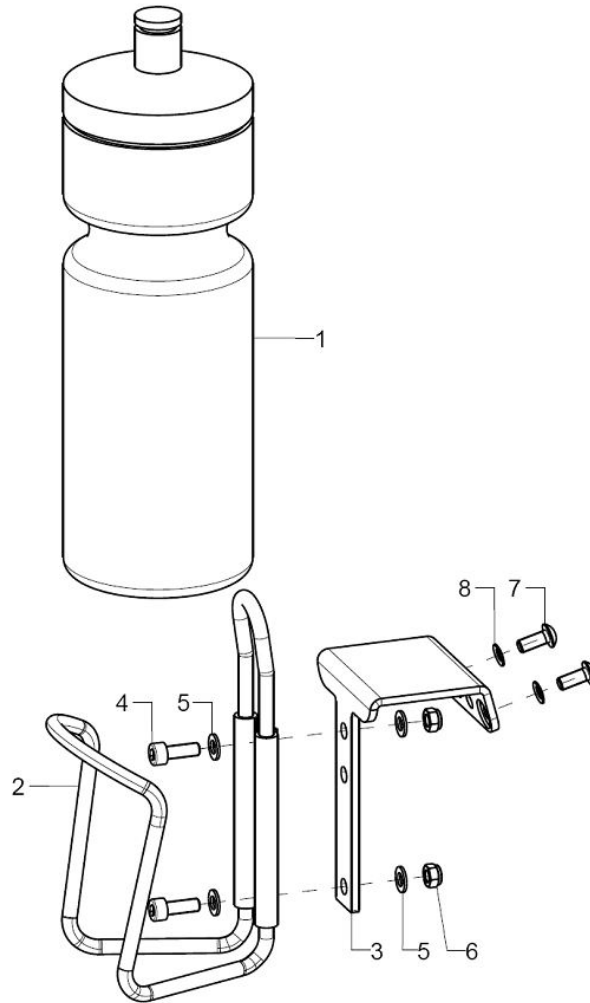
pcs.	Q/1	item no.	Product name:	Variant:	drawing no.
1-16	2	35360210			
1	1	352012	inner Bowden cable 1,5x2250		04.54.91.11.52.20
2	1	352013	outer shell for Bowden cable black 150mm		04.54.91.21.53.00
3	2	352412	end bush metal $\varnothing 5$		04.54.91.50.10.41
4	1	352406	setting screw for Bowden cable M5x34 mm		04.54.01.40.50.21
5	1	352005	end cap for inner Bowden cable $\varnothing 1-1,5$ mm		04.54.91.50.10.40
6	2	35340104			353401040000
7	1	35310508	pressure spring, 1,4x9,8x44,5		04.21.10.04.50.00
8-10	1	35340103			35.34.01.03.00.00
9	1		hexagon nut self-locking low form DIN 985 - M6		02.32.00.60.01.20
10	1		washer DIN 125 - A 6,4		02.61.06.41.41.20
11-16	1	35360208			
12	1		lens head screw with hexagon socket ISO 7380 - M6x8		01.42.08.47.65.00
13	1		washer DIN 125 - A 6,4		02.61.06.41.41.20
14	1				35.36.03.03.00.78
15	1				01.23.07.87.05.00
16	1		lock washer S5		02.99.10.50.01.10

Brake lever for drum brake



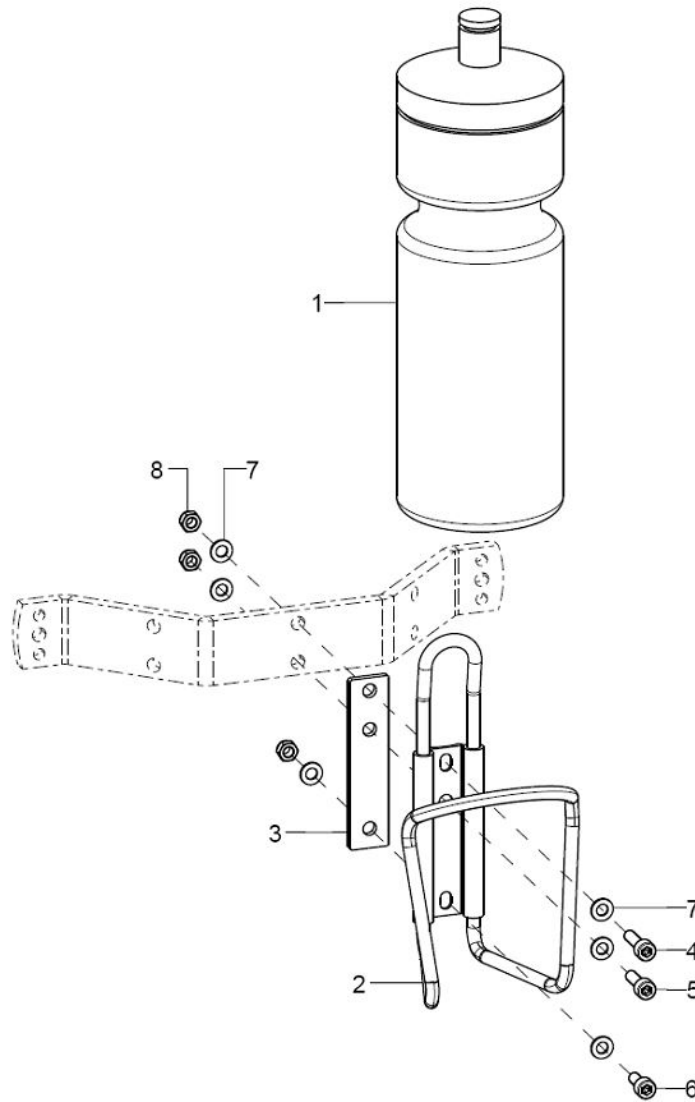
pcs.	Q/1	item no.	Product name:	Variant:	drawing no.
1-8	2	352016	hand brake lever complete		XXXXXXXXXXXX
1+2	1	352010	hand brake lever for attendant brake incl. mounting set		04.54.92.22.20.10
2	1	352011			35.20.11.01.00.28
3-8	2	352006			
3	2	352412	end bush metal $\varnothing 5$		04.54.91.50.10.41
4	1	352013	outer shell for Bowden cable black 150mm		04.54.91.21.53.00
5	1	352007	set screw for Bowden cable M6x40 mm		04.54.01.40.60.20
6	1	352009			04.54.11.30.00.20
7	1	352012	inner Bowden cable 1,5x2250		04.54.91.11.52.20
8	1	352005	end cap for inner Bowden cable $\varnothing 1-1,5$ mm		04.54.91.50.10.40

Water bottle (without tipping lever)



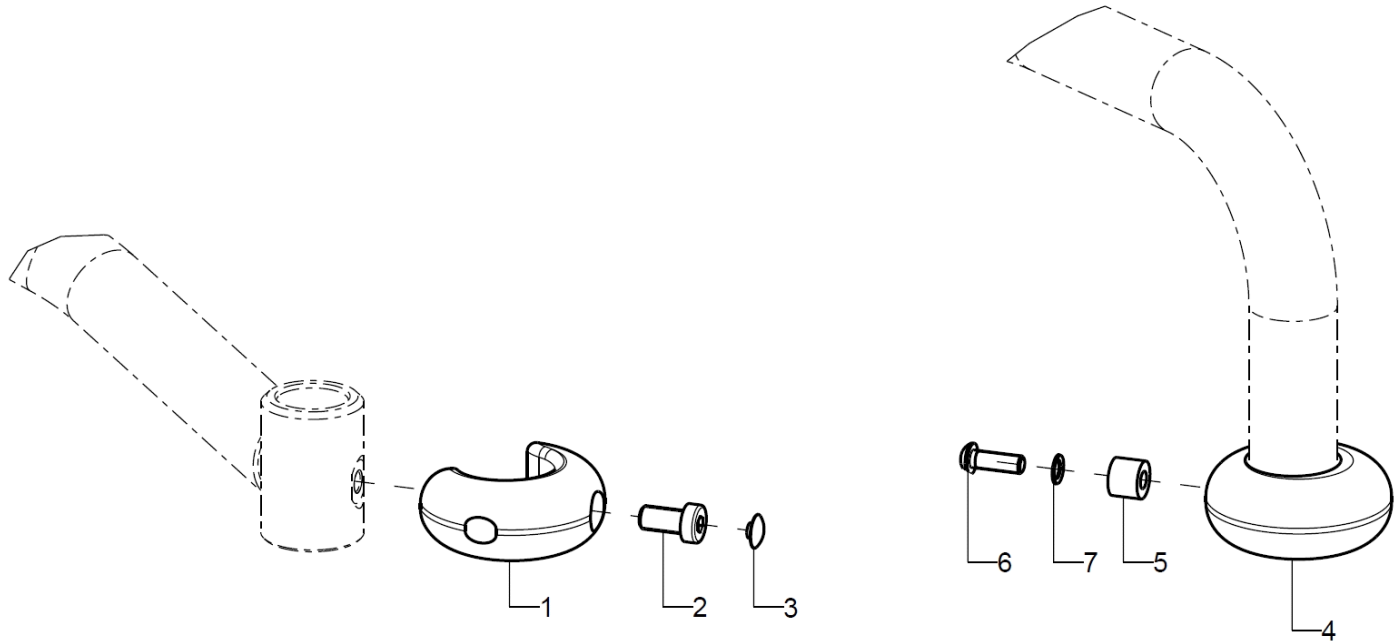
pcs.	Q/1	item no.	Product name:	Variant:	drawing no.
1-8	1	790101	water bottle complete incl. holder		XXXXXXXXXXXX
1	1	790102	water bottle silver 0,75L		79.01.01.02.00.10
2-8	1	790103	water bottle holder complete		XXXXXXXXXXXX
2	1				
3	1				
4	2		cylinder screw DIN 912 M5x14		01.22.07.90.72.40
5	2		washer DIN 125 - A 5,3		02.61.05.31.01.20
6	1		hexagon nut self-locking low form DIN 985 - M5		02.32.00.50.01.20
7	2		lens head screw with hexagon socket ISO 7380 - M5x12		01.42.07.89.65.00
8	2		lock washer S5		02.99.10.50.01.10

Water bottle (with tipping lever)



pcs.	Q/1	item no.	Product name:	Variant:	drawing no.
1-8	1	790101	water bottle complete incl. holder		XXXXXXXXXXXX
1	1	790102	water bottle silver 0,75L		79.01.01.02.00.10
2-8	1	790103	water bottle holder complete		XXXXXXXXXXXX
2	1				
3	1				
4	1		cylinder screw DIN 912 M5x18		01.22.07.93.72.40
5	1		cylinder head screw DIN 912 M5x16		01.22.07.92.72.40
6	1		cylinder screw DIN 912 M5x12		01.22.07.89.72.40
7	6		washer DIN 125 - A 5,3		02.61.05.31.01.20
8	3		hexagon nut self-locking low form DIN 985 - M5		02.32.00.50.01.20

Bumper



pcs.	Q/1	item no.	Product name:	Variant:	drawing no.
1-3	2	910201			91.02.01.02.00.77
o.B.	2	910202			91.02.04.04.00.77
2	1				01.24.09.72.05.00
3	1				04.63.00.12.00.10
4-7	2	910203			91.02.01.03.00.77
5	1				91.02.01.05.00.77
6	1		lens head screw with hexagon socket ISO 7380 - M6x18		01.42.08.53.05.00
7	1		lock washer S6		02.99.10.60.01.10