

 decon wheel
Parts Catalog
e-Walk



Updated: Oct, 2015
Robert Larsson

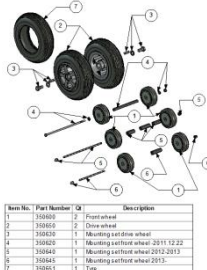
CE

decon wheel

Contents



Chassiside: 3



Item No.	Part Number	Qty	Description
1	350600	2	Front wheel
2	350610	2	Rear wheel
3	350620	1	Manufacturing set front wheel 2011 12 22
4	350622	1	Manufacturing set front wheel 2011 12 22
5	350642	1	Manufacturing set front wheel 2012 2013
6	350645	1	Manufacturing set front wheel 2013
7	350651	1	Type

Wheel parts.....side: 4



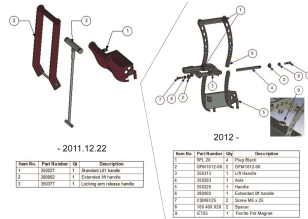
Item No.	Part Number	Qty	Description
1	350606	1	Mounting set gas springs -2011 12 22
2	350607	1	Mounting set gas springs 2012-
3	350605	2	Gas spring 2011 12 22
4	MCG2008	2	Gas spring 2012-

Gas springs.....side: 5



Item No.	Part Number	Qty	Description
1	350252	1	Hood low
2	350250	1	Hood High (Lead)

Hoods.....side: 6



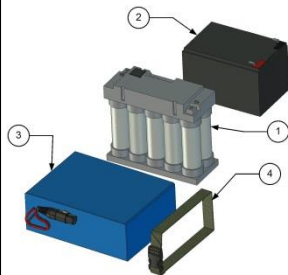
Item No.	Part Number	Qty	Description
1	350201	1	Handle LP handle
2	350202	1	Control set handle
3	350207	1	Locking pin handle handle

Handles.....side: 7



Item No.	Part Number	Qty	Description
1	350155	1	Right beam
2	350160	1	Left beam

Assy release.....side: 8



Item No.	Part Number	Qty	Description
1	MCG2012	1	NiMH 24V/9.6Ah
2	MCG2001	1	Lead Battery 12V 12Ah
3	MCG2015	1	LiFePO4 24V 15Ah
4	11046-001	1	Fasty 20mm. Belt 70 cm +plastic lock

Battery.....side: 9



Item No.	Part Number	Qty	Description
1	MCG2003	1	Control unit
2	MCG2003-1	1	Control unit

Control unit.....side: 10



Item No.	Part Number	Qty	Description
1	350600	1	Motor

Motor.....side: 11



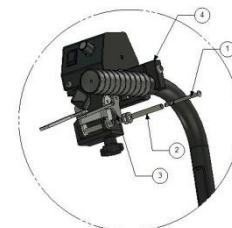
Item No.	Part Number	Qty	Description
1	MCG2002	1	Lead Acid Charger
2	MCG2011	1	MCGRABM Charger
3	MCG2016	1	LiFePO4 Charger

Electronic parts.....side: 12



Item No.	Part Number	Qty	Description
1	MCG2002	1	Lead Acid Charger
2	MCG2011	1	MCGRABM Charger
3	MCG2016	1	LiFePO4 Charger

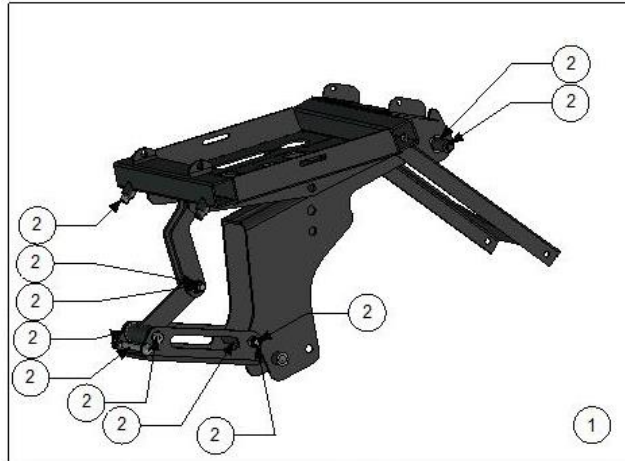
Chargers.....side: 13



Accessories.....side:14-15

Chassi

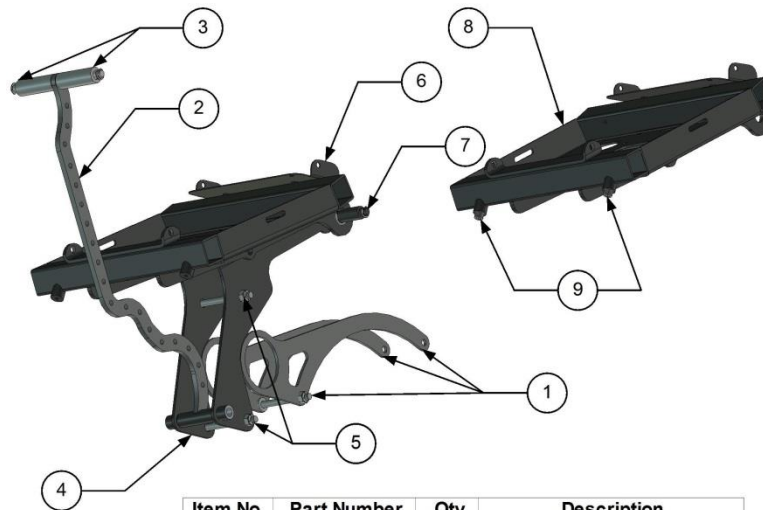
-2011.12.22



Item No.	Part Number	Qt	Description
1	350181	1	Complete Chassi
2	350182	1	Mounting set

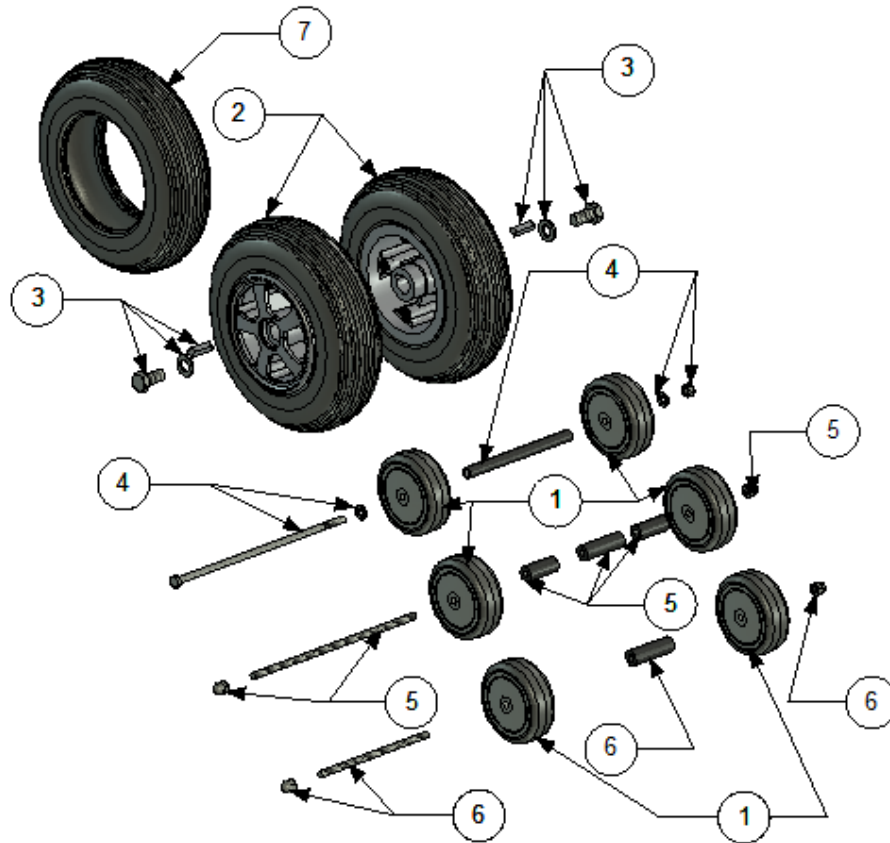
2012-2013.08

2013.08-



Item No.	Part Number	Qty	Description
1	350315	1	Front wheel plate assy
2	350299	1	Link arm
3	350314	1	Upper Link Assy
4	350180	1	Motor bracket assy
5	350183	1	Mounting Set
6	350184	1	Top Chassi 2012 - 2013.08
7	350186	1	Pivot Axis Assy
8	350189	1	Top Chassi 2013.08-
9	350188	1	Stop Screws Set

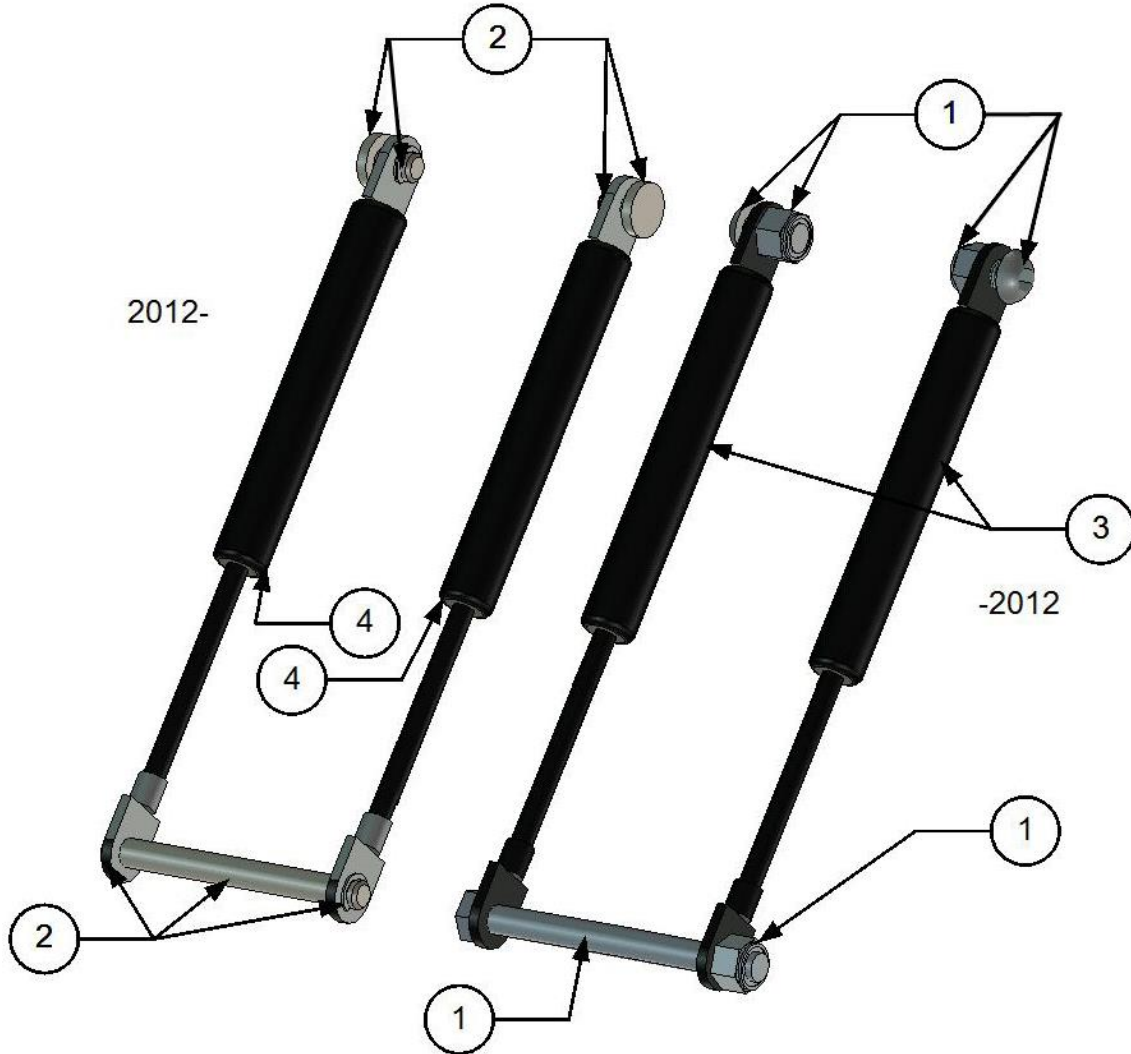
Wheel parts



Item No.	Part Number	Qt	Description
1	350600	2	Front wheel
2	350650	2	Drive wheel
3	350630	1	Mounting set drive wheel
4	350620	1	Mounting set front wheel -2011.12.22
5	350640	1	Mounting set front wheel 2012-2013
6	350645	1	Mounting set front wheel 2013-
7	350651	1	Tyre

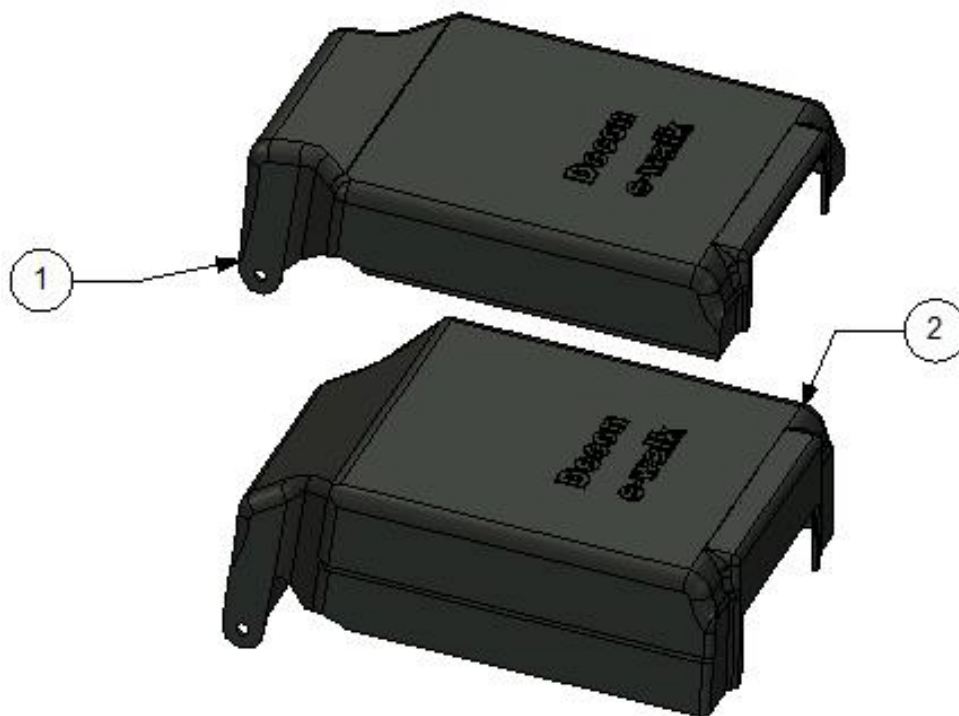
decon wheel

Gas Springs



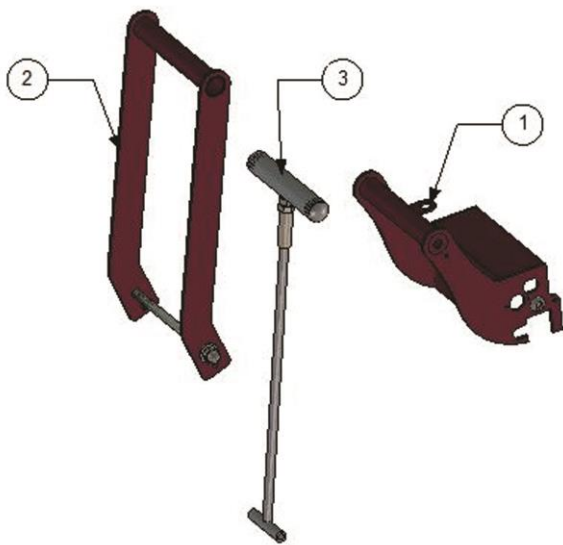
Item No.	Part Number	Qty	Description
1	350406	1	Mounting set gas springs -2011.12.22
2	350407	1	Mounting set gas springs 2012-
3	350405	2	Gas spring -2011.12.22
4	MCG2008	2	Gas spring 2012-

decon wheel Hoods



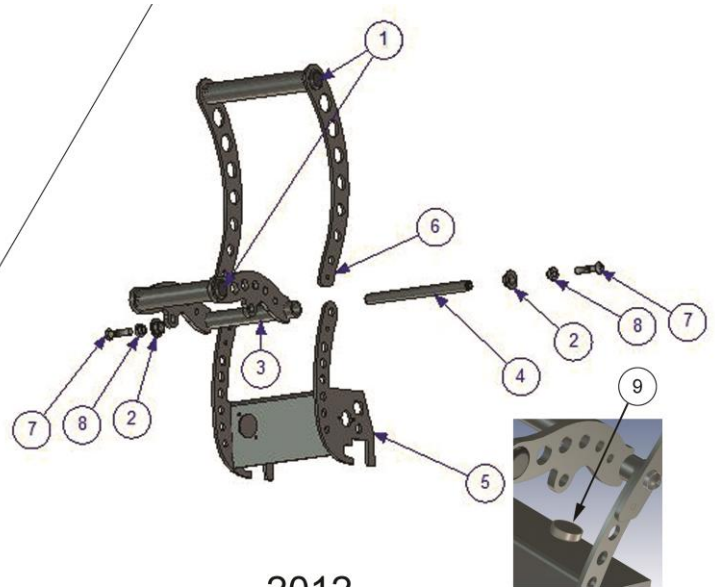
Item No.	Part Number	Qty	Description
1	350252	1	Hood low
2	350250	1	Hood high (Lead)

decon wheel Handles



- 2011.12.22

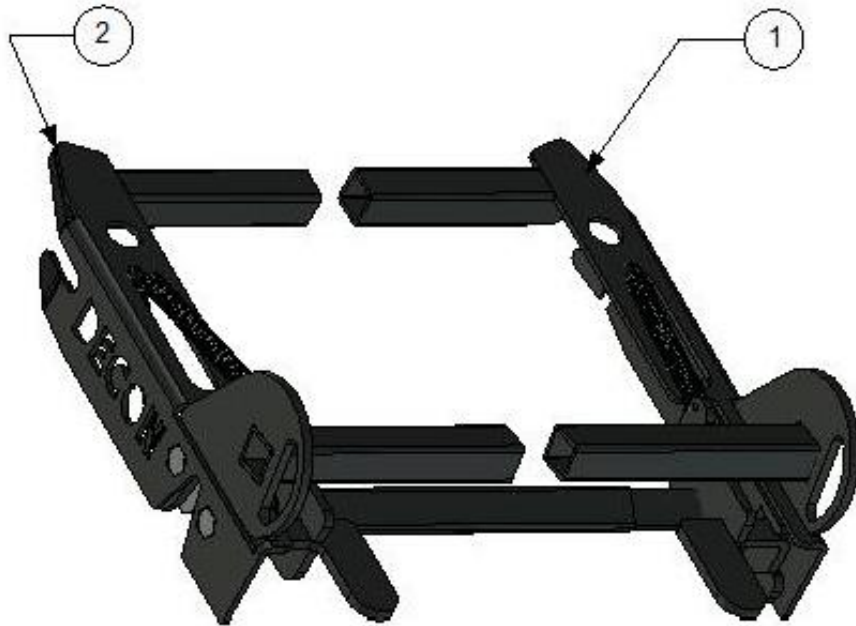
Item No.	Part Number	Qt	Description
1	350227	1	Standard Lift handle
2	380002	1	Extended lift handle
3	350377	1	Locking arm release handle



2012 -

Item No.	Part Number	Qty	Description
1	SFL 20	4	Plug Black
2	GFM1012-06	2	GFM1012-06
3	350313	1	Lift Handle
4	350293	1	Axle
5	350225	1	Handle
6	380002	1	Extended lift handle
7	XSM6X25	2	Screw M6 x 25
8	100 400 020	2	Spacer
9	E703	1	Ferrite Pot Magnet

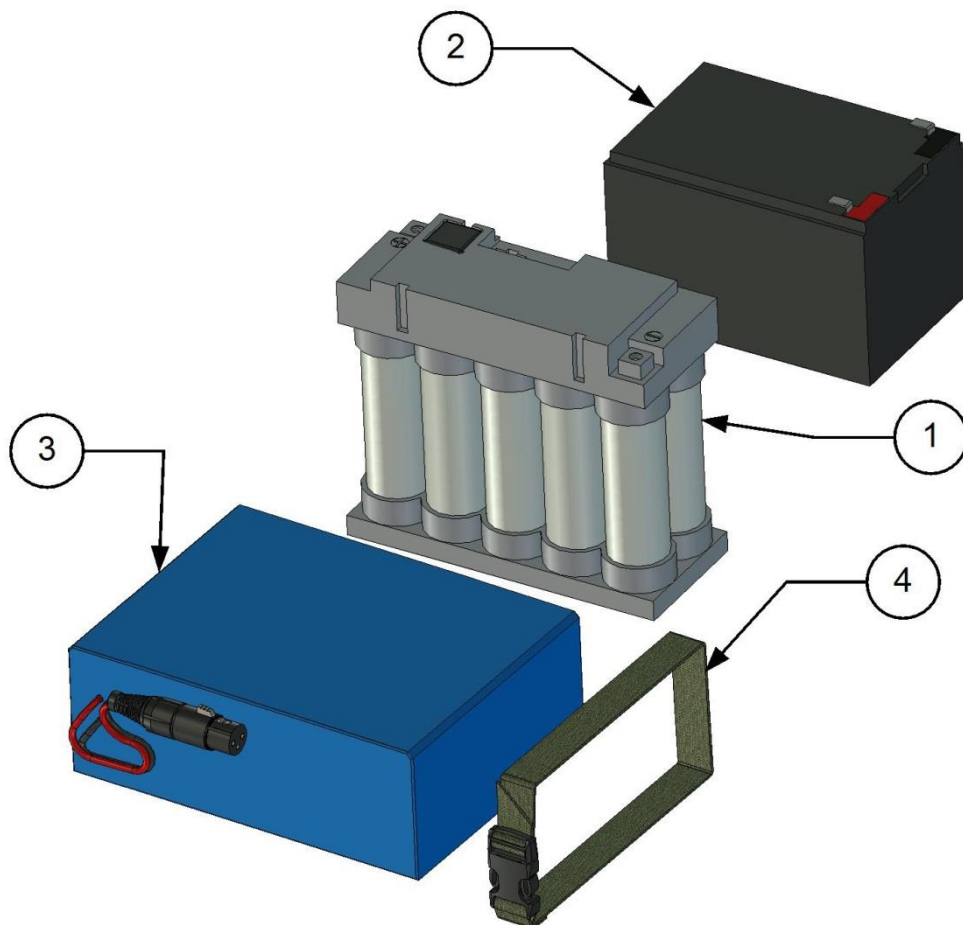
Assy release



Item No.	Part Number	Qty	Description
1	350155	1	Right beam
2	350160	1	Left beam

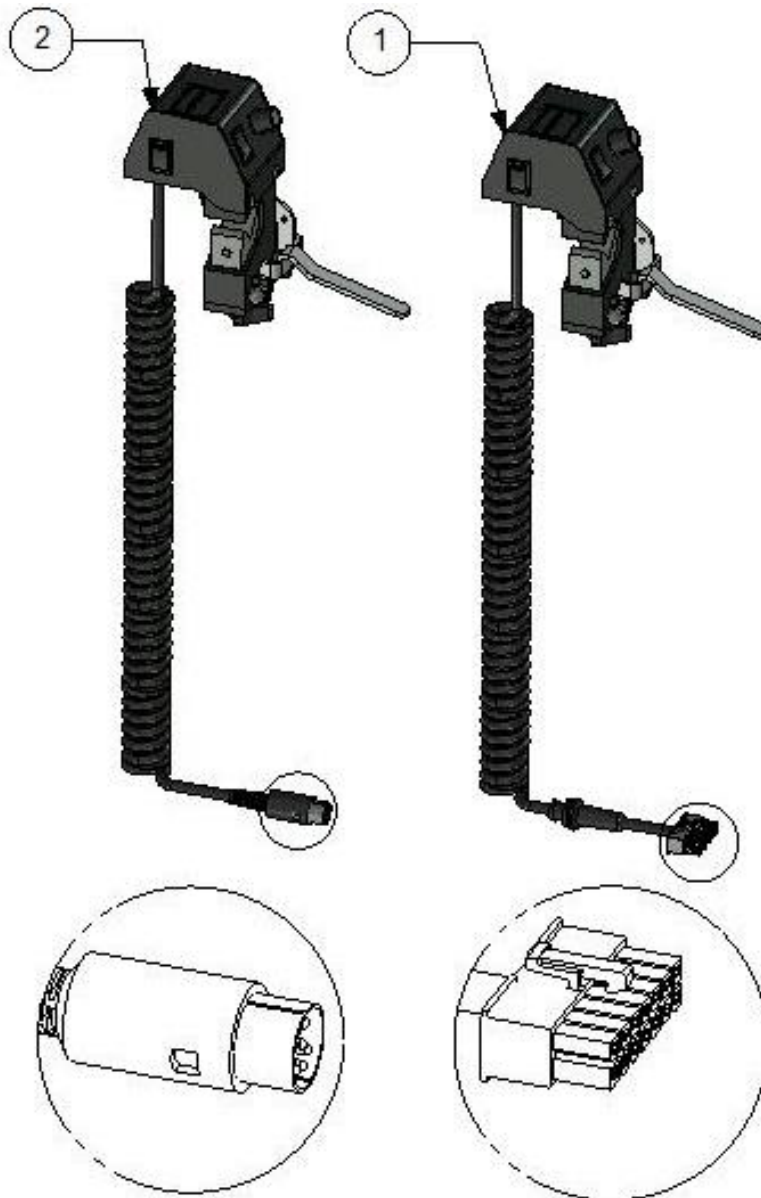
Left Beam	Seat width: 38-45 cm	Part Number: 350160A
Right Beam	Seat width: 38-45 cm	Part Number: 350155A
Left Beam	Seat width: 45-53 cm	Part Number: 350160B
Right Beam	Seat width: 45-53 cm	Part Number: 350155B
Left Beam	Seat width: 53-60 cm	Part Number: 350160C
Right Beam	Seat width: 53-60 cm	Part Number: 350155C

Battery



Item No.	Part Number	Qty	Description
1	MCG2012	1	NiMH 24V/9,6Ah
2	MCG2001	1	Lead Battery 12V 12Ah
3	MCG2015	1	LiFePO4 24V 15Ah
4	11046-001	1	Fasty 20mm. Belt 70 cm+plastic lock

decon wheel Control unit



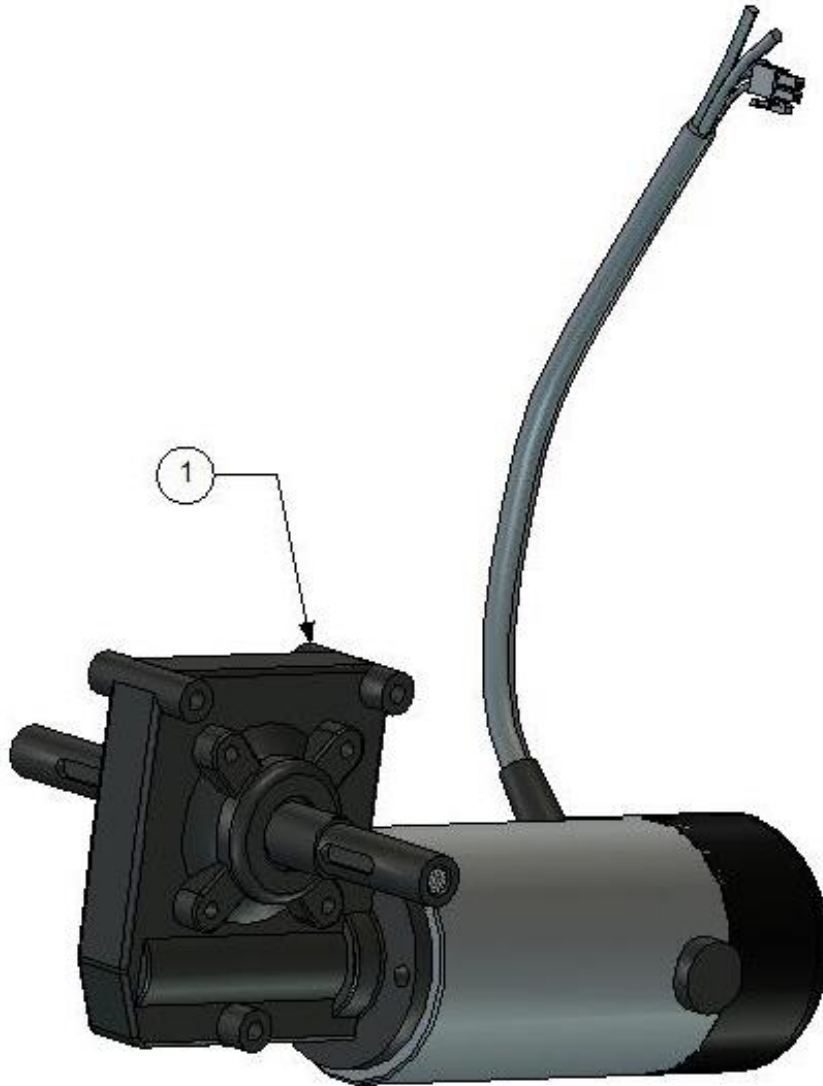
Item No.	Part Number	Qt	Description
1	MCG2003	1	Control unit
2	MCG2003-1	1	Control unit



Warning!

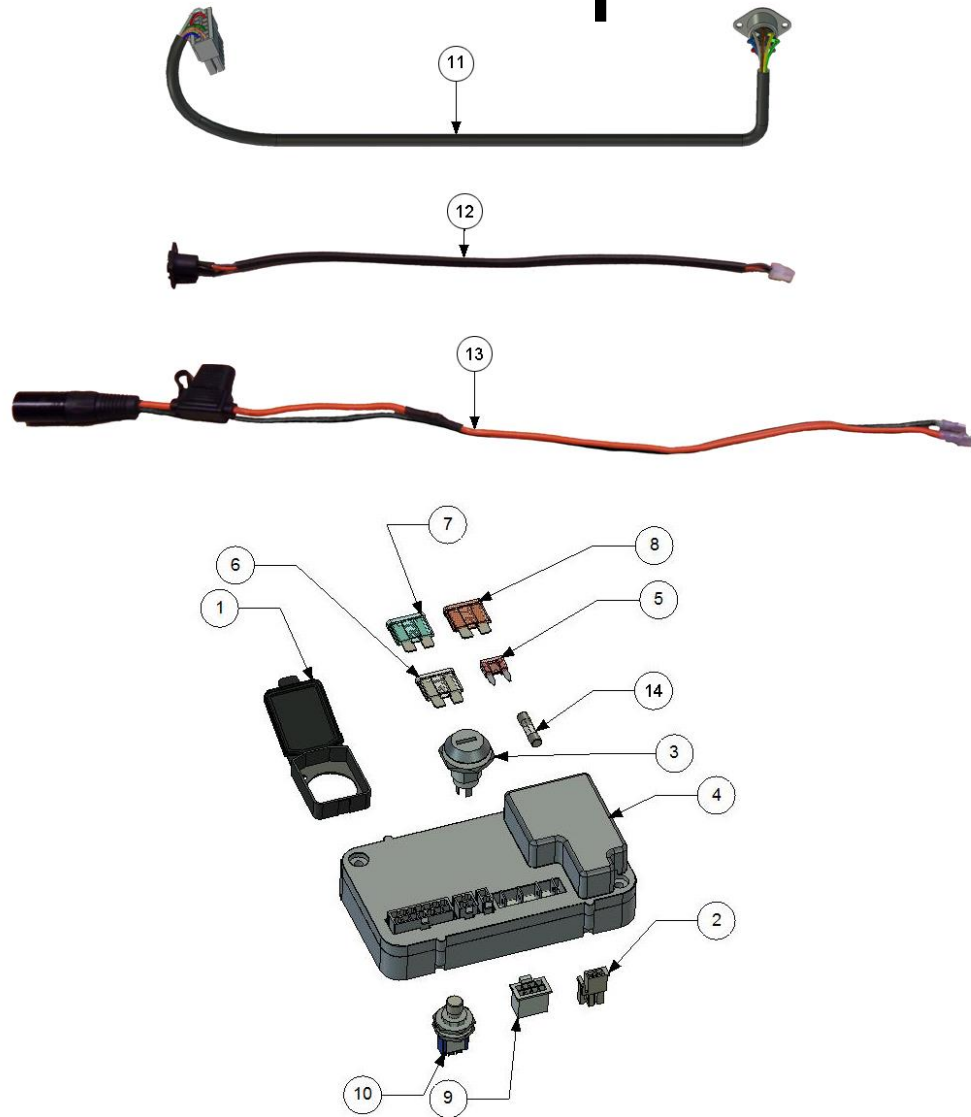
You should not open the control unit, because it is calibrated with precision. If you do so it may cause mail functions, which are not included in warranty!

decon wheel Motor



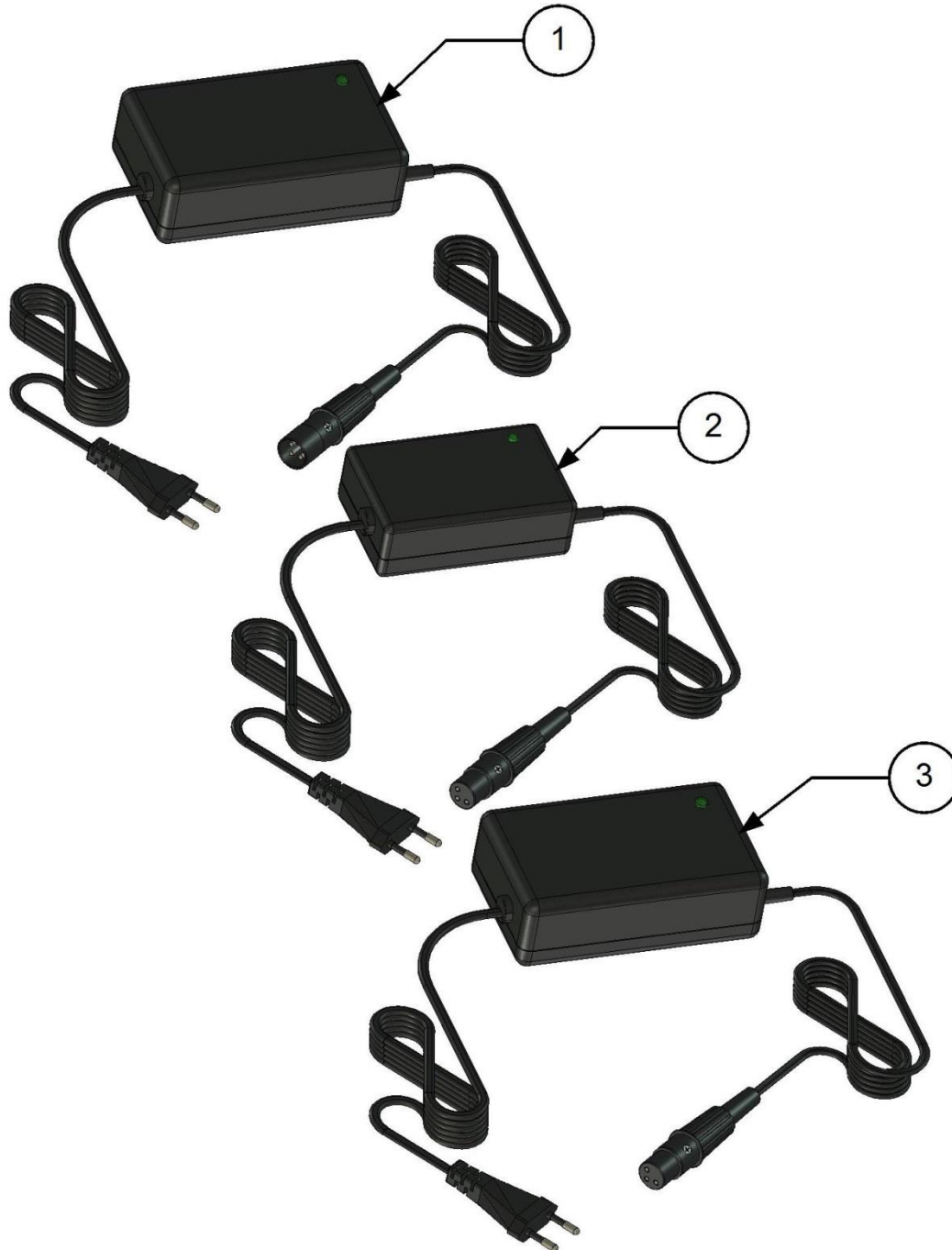
Item No.	Part Number	Qt	Description
1	350500	1	Motor

Electronic parts



Item No.	Part Number	Qty	Description
1	139-0146	1	Cover
2	39-01-2020	1	Molex Mini Fit Connector
3	35-044-53	1	Lock
4	MCG2006	1	S-Drive
5	994-3862 0034.1523	1 1	Mini fuse 10A Mini fuse 5A
6	33-232-91	1	Fuse 40A/58V
7	33-233-08	1	Fuse 15A/32V
8	994-3455	1	Fuse 25A
9	547-0076-7 MDF6-8DS-3,5C	1	Hirose Connector(NiMH battery only)
10	MCG3005	1	Reset swich 1-pol (NiMH battery only)
11	350910	1	Cable Controlunit/S-Drive
12	350920 350921	1 1	Cable Charger Lead Cable Charger LiFePO4
13	350930	1	Cable Battery/S-Drive
14	33-173-48	1	Fuse 5A Ø5x20

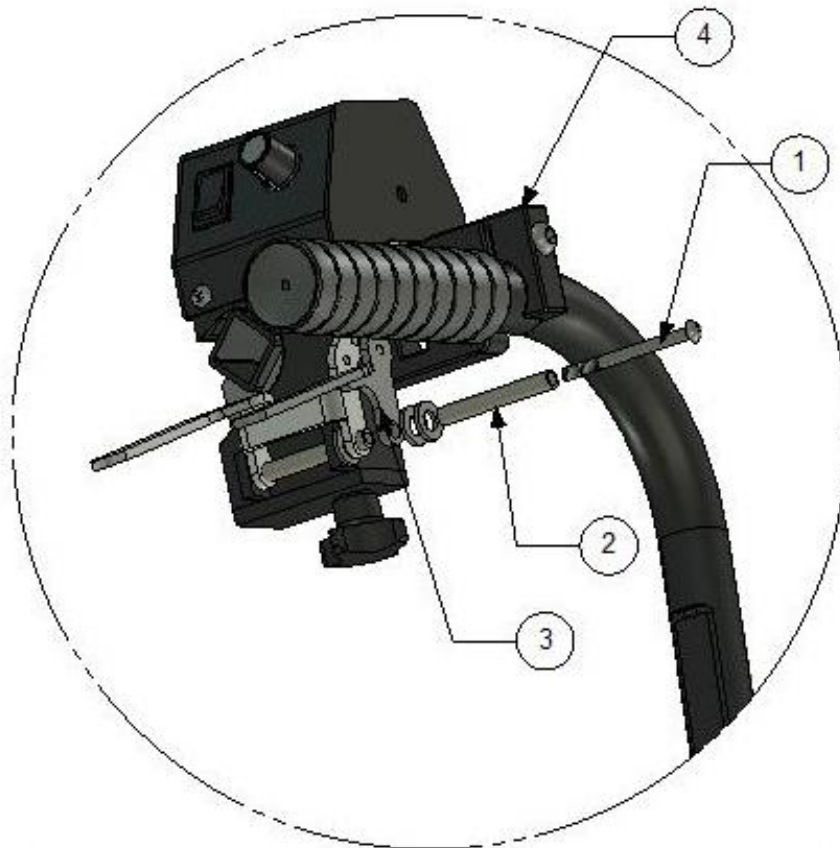
decon wheel Chargers



Item No.	Part Number	Qty	Description
1	MCG2002	1	Lead Acid Charger
2	MCG2011	1	NiCd/NiMH Charger
3	MCG2016	1	LiFePO4 Charger

Accessories

Side placed control unit



Included parts in 380040

NiMH models to Serial Number: 801042

Bly models to Serial Number: 901080

Part Number:	Qty	Description
380020	1	Speed handle
380030	1	Side placed bracket
380035	1	Spacer
XSM4X50	1	Screw M4 x 50

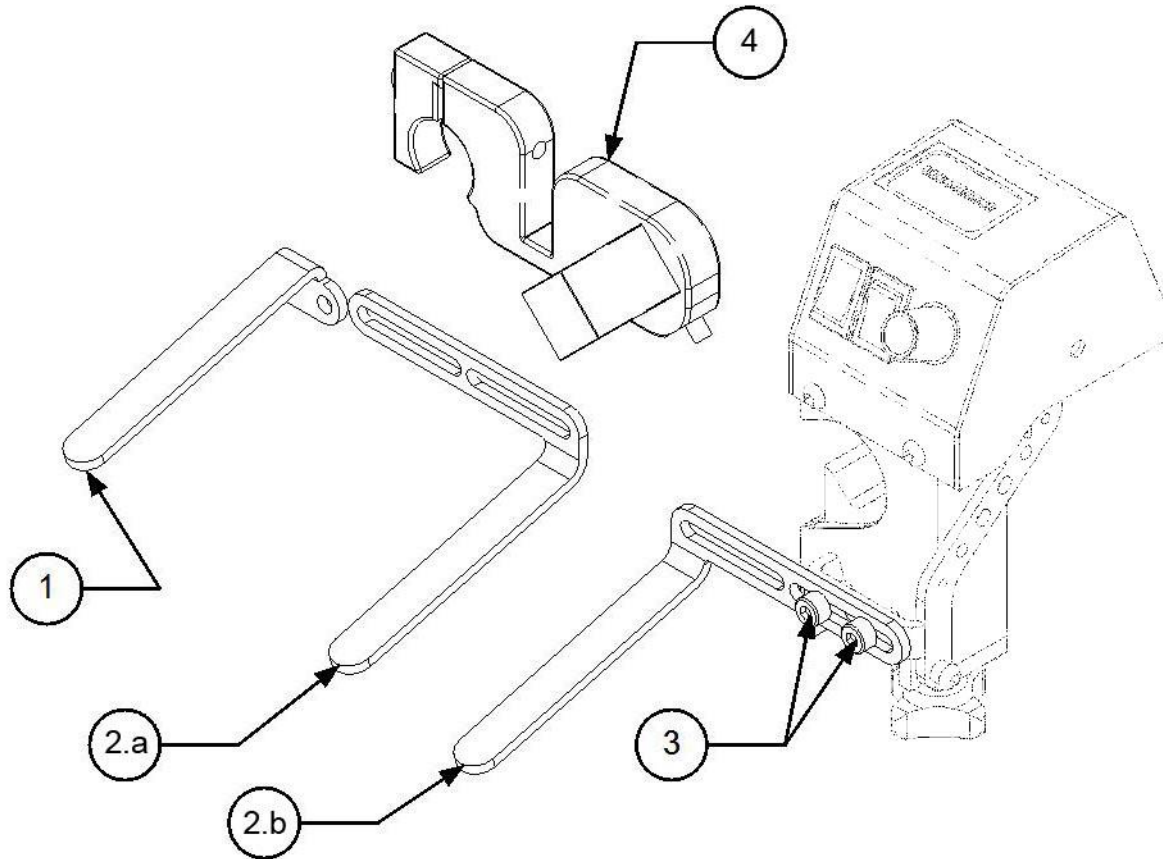
Included parts in 380050

NiMH models from Serial Number: 801043 – 2013.08

Bly models from Serial Number: 901081 – 2013.08

Part Number:	Qty	Description
380020	1	Speed handle
380030	1	Side placed bracket

All models from 2013.08



Part Assy Number	Item Number	Part Number	Qty	Description
380060	1	350860	1	Wiper
	2.a	350867a	1	Sideplaced handle left
	2.b	350867b	1	Sideplaced handle right
	3	XSM5X10	2	Screw: Socket – M5 x 10
380030	4		1	Sideplaced Bracket

Contact info

Decon Wheel AB
Södra Ekeryd 115
314 93 Hyltebruk
Sweden
Phone: +46-345-408 80
Fax: +46-345-408 95
E-mail: info@decon.se