



Adventus Usermanual



2018-06
Revision 2



Contents

Security	4
General instructions	4
Purpose and normal use	4
Improper use	4
Symbols	4
Warnings	5
Waste management	6
Labels	7
Warranty	8
Product description	9
Technical data	9
Delivery scope	9
Overview	10
Features	10
Mechanical settings	11
To mount Adventus for the first time	11
Mounting the Transport bracket on the wheelchair	13
To use Adventus	14
Transport of Adventus	14
Transport of Adventus on wheelchair	15
Care	16
Cleaning	16
Repairs	16

Security

General instructions

The user manual is written for users of Adventus and people who in some way are assisting the user to get as good use of Adventus as possible.

Read the user manual and make yourself well known with Adventus before using it.

Purpose and normal use

Adventus is an accessory designed to be connected to a manual wheelchair to facilitate mobility on uneven surfaces. When Adventus is connected to the wheelchair, the casters are lifted. This means that only the rear wheels of the wheelchair are used.

Improper use

Any use that does not follow the description in this user manual. This also includes the technical specification.

Symbols



WARNING!

Risk of serious injury or death.

An operation that, if not correctly performed, may lead to injury to the operator or others.



CAUTION!

Risk of material damage.

An operation that, if not correctly performed, may lead to material damage.



NOTE!

Particularly important or explanatory information.

Warnings

Before you use Adventus for the first time

**WARNING!**

The user should have read and understood the manual and have an understanding of how Adventus works.

**WARNING!**

Before using Adventus, assess your skills and determine if you need an assistant. To decide whether you need an assistant, you should also request an expert opinion for reference.

If your assessment is based solely on your own perception, you or the people around you could be injured.

**WARNING!**

Practice running on even ground in a safe environment together with an assistant, until you feel confident about how Adventus works.

If you are driving on public roads, even though you are not sure how to use Adventus, you or other people around you can be injured.

Driving

**WARNING!**

Keep in mind that Adventus allows the wheelchair to be longer at the front, so that you do not injure yourself or others in your environment.

**WARNING!**

Keep in mind that Adventus is not for play or sports, but is an aid to make it easier to get forward on such as snow, sand or grass, etc.

**NOTE!**

Check tyre pressure before using Adventus.

Public transport

**WARNING!**

Do not have Adventus mounted on the footrest when travelling by public transport. Hang Adventus on the suspension bracket.

Storage and transport



WARNING!

Use straps to ensure that Adventus can be transported safely.



CAUTION!

Never transport Adventus connected to a wheelchair.



CAUTION!

Place Adventus so that no parts are damaged during transport.

Cleaning



CAUTION!

Adventus is suitably cleaned with compressed air or a dry plastic brush and a damp cloth. If it is really dirty, use a mild detergent solution. Wipe with a soft cloth and air dry.



CAUTION!

Do not use corrosive or abrasive cleaning agents.



NOTE!

Adventus is appropriately disinfected by using a cloth with alcohol.

Other



WARNING!

It is extremely important that all the screws are properly tightened after setting up.

Waste management

Once Adventus has served and is to be scrapped, contact the local authorities to obtain information about recycling and follow their instructions.

Alternatively, you can contact your reseller for recycling your used Adventus.

Labels

Name plate

The type plate and a label showing the year of manufacture and month are placed on the underside of the frame.



Warranty

The warranty period for Adventus is 2 (two) years from the date of purchase

If there is a material or workmanship defect on your copy of Adventus during this warranty period, the defective parts will be replaced or repaired free of charge.

Consumable parts such as tyres and hoses are excluded from this warranty.

This warranty does not cover faults caused either by deliberate misuse on the part of the user or by negligent use, e.g. faults caused by use other than that specified in these user instructions. Nor does this warranty cover faults arising as a result of modifications to the device or continuous use under conditions other than those specified, e.g. exceeding the maximum weight etc.

Scratches, dulling and dirt on the surface of the product resulting from normal use are not covered by the warranty.

If warranty repairs are required, contact the retailer you purchased the device from.

Product description

Technical data

Duration	About 450 mm in front of the front tube of the footrest
Height	About 350 mm from surface
Wheel size	10" x 2"
Air pressure in tyre	2.0 bar/200 KPa
Weight	2.45 kg

Delivery scope

The delivery of Adventus includes the following:

- Adventus
- User manual
- Suspension bracket (optional)

Suspension bracket



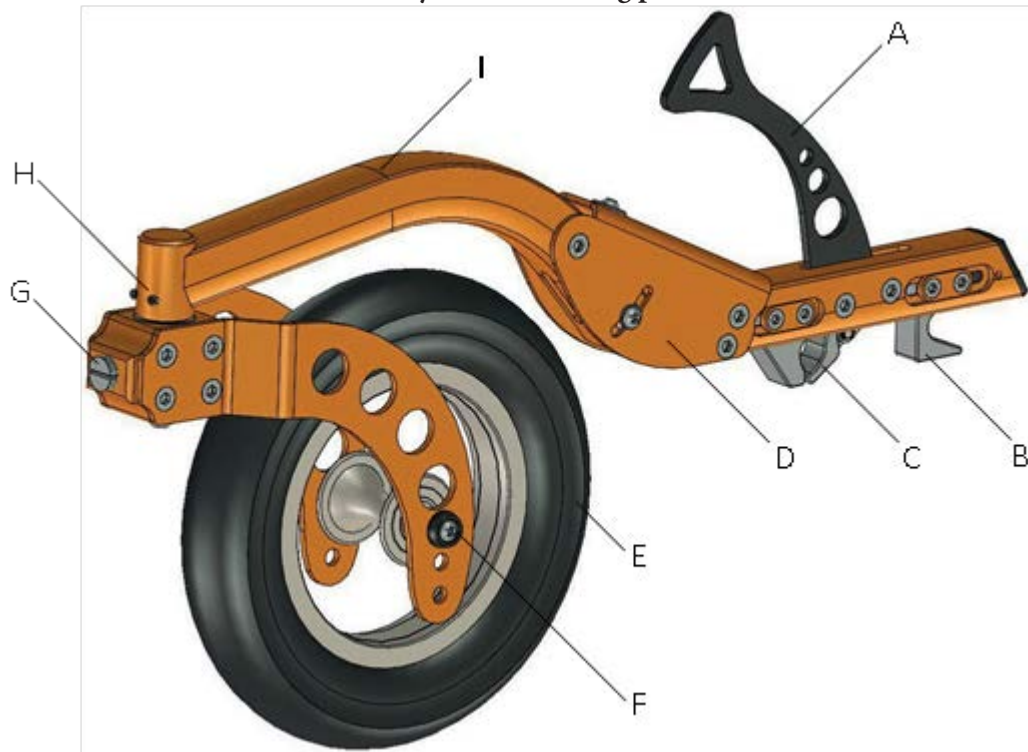
NOTE!

Suspension bracket is ordered separately.

To transport Adventus on a wheelchair, a suspension bracket is required.

Overview

Adventus consists mainly of the following parts.



- | | |
|------------------------------|--|
| A Locking lever | F Wheel fork with height adjustment |
| B Rear attachment | G Adjustment screw for swing inertia |
| C Front attachment and locks | H Steering link with adjustment screws |
| D Link for angle adjustment | I Framework |
| E Wheel | |

Features

The attachments (B) (C) are adjustable to suit different footrests. With the link (D) and the wheel attachment in the fork (F) the lift height can be adjusted. The wheel alignment and inertia are adjusted with the screws in the steering link (H) and the screw (G).

Mechanical settings

To mount Adventus for the first time

Before mounting Adventus, check:

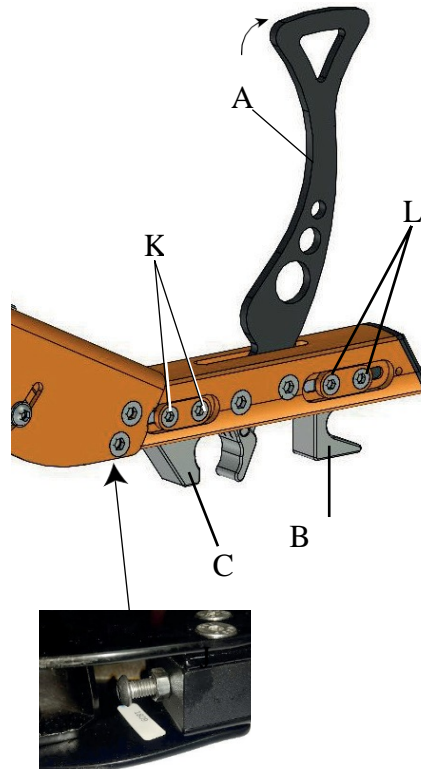
- Which footrest the wheel chair manufacturer recommends.
- The distance between the front and rear tube of the footrest is as shown in the table below.

Tube diameter [mm]	15	16	17	18	19	20
Distance [mm]	71,0–94,5	74,5–98,3	77,9–101,7	81,4–105,2	85,1–108,9	88,2–112,0

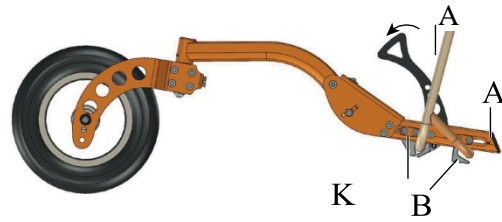
- The footrest is placed as far down as possible.

To customize Adventus

1. Fold up the locking lever (A) to open the front attachment (C).
2. Loosen the screw (J) on the underside of the frame. Loosen the locking screws (K) and move the front attachment (C) as far back as possible.
3. Loosen the locking screws (L) and move the rear attachment (B) as far back as possible.



4. Put the wheel in its front position, put Adventus in place on the footrest by inserting the attachment (B) so that it locks into the rear tube of the footrest. Lower the wheel to the ground level and lock the front tube of the footrest by folding down the locking lever (A).



Screw with the screw (J) the front attachment (C) so that it locks against the footrest.

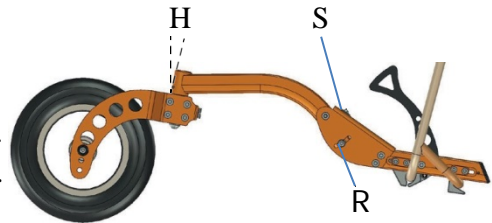
Tighten the locking screws (K).

5. Press the rear attachment (B) so that it locks against the rear tube of the footrest.



Tighten the locking screws (L).

6. Loosen the screw (R) and adjust with the screw (S) so that the steering link (H) angular is min. 10 degree.
 - If (H) angular $\geq 10^\circ$ go to item 8.
 - If (H) angular $< 10^\circ$ go to item 7.



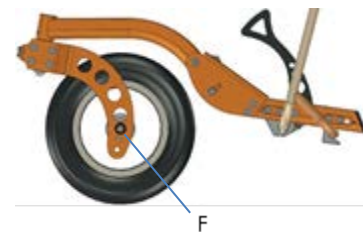
7. If necessary, adjust the angle of (H). Do this by move the wheel to another attachment in the fork (F). Go back to item 6.

8. Tighten the screws (R).

i NOTE!

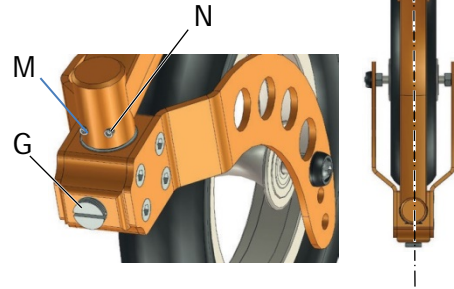
The screw is continuous, it may be necessary to hold on the other side.

9. Turn the wheel to its rear position and check that the castors lift from the ground.
 - If it lifts from the ground, go to item 10.
 - If not go back to item 6.



10. Adjust the inertia of the oscillation by tightening or loosening the screw (G) in the steering link.

Make sure the wheel is aligned with the frame. If necessary loosen or tighten the adjusting screws (M) and (N).

**NOTE!**

First loosen the screw on the side to which the wheel is to be adjusted. Then, tighten the second screw.

**WARNING!**

It is extremely important that all the screws are properly tightened after setting up.

Mounting the Transport bracket on the wheelchair

The Transport bracket is extra equipment.

Fit the Transport bracket (P) and clamp it on the arch of the seat back using the screw.



To use Adventus

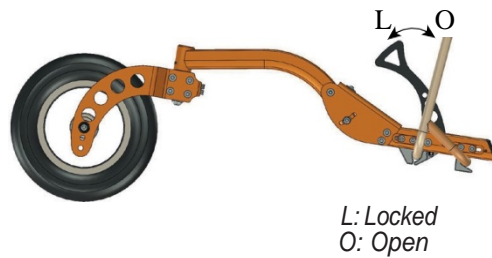


WARNING!

The user should have read and understood the manual and have an understanding of how Adventus works.

Connecting Adventus to your wheelchair

1. Set the wheel forward.
2. Fold up the locking lever to open the front attachment.
3. Fit Adventus in the middle of the footrest.
4. Fold down the locking lever.
5. Turn the wheel backwards to lift the castors from the ground



Transport of Adventus



WARNING!

Use straps to ensure that Adventus can be transported safely.



CAUTION!

Place Adventus so that no parts are damaged during transport.



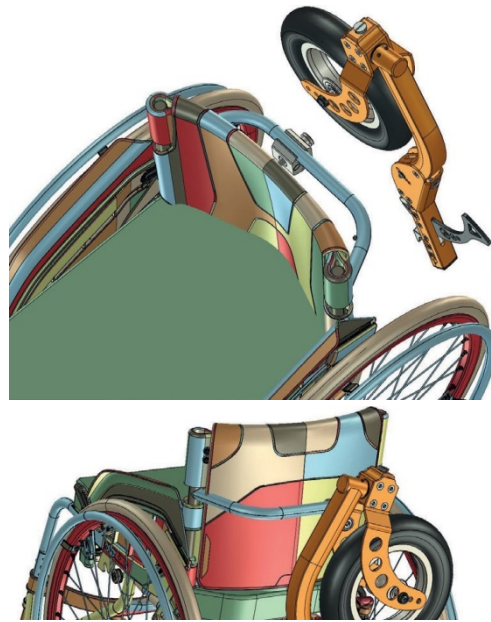
CAUTION!

Never transport Adventus connected to a wheelchair.

Transport of Adventus on wheelchair

The Transport bracket is extra equipment.

Hang Adventus on the Transport bracket.



Care

Cleaning

If Adventus becomes dirty due to normal use, clean Adventus with a damp, hard wrung, towel. If Adventus is heavily soiled use a towel and a neutral detergent. Make sure that no cleaning agent is left on Adventus after cleaning.

! CAUTION!

Do not clean with solvents such as benzene or thinner. This may damage lacquer and plastic parts on Adventus

i NOTE!

Adventus is appropriately disinfected by using a cloth with alcohol.

Repairs

The user may not self-repair or service Adventus.

The user may not self-remove and send parts of Adventus to the dealer for repair. If a repair is required, contact your retailer, even if the fault is of a minor nature.

If parts are damaged or missing, contact the retailer immediately. Submit Adventus to the retailer for replacement or repair of parts.

For normal maintenance, repair or service, always contact the retailer. If Adventus is not repaired or all parts are not used in assembly, the user, the persons in its environment or the property may be damaged.

To perform repairs and servicing, the retailer uses the spare parts catalogue and other documentation. This documentation is not available to users and the general public.

Punctures

i NOTE!

The tyre on Adventus has the same structure as a bicycle tire. Therefore, as a rule, a bicycle workshop can make puncture and change tires on Adventus. If you do not have access to a bicycle workshop, please contact your dealer.

Decon Wheel AB
Södra Ekeryd 119, SE-314 93 Hyltebruk
Tel: +46 (0)345 40880
Fax: +46 (0)345 40895
info@decon.se
www.decon.se

