

Spare Parts Catalogue

Version: 2016/05/09a EN



Invacare® **Spin^x**



Yes, you can.®

General Information

For any order of spare parts the following information is required:

- Product type*
- Product name & model*
- Serial Number*
- Part-Number*
- Part-Description*

Exploded view drawings and code numbers are not contractual and subject to modification, in relation to Invacare® continuous product improvement policy to meet end users needs.

The reproduction or use of this work, or of any substantial part of this work, in any form or by any electronic, mechanical or other means, including photocopying, scanning and recording, and in any information storage and retrieval system, including electronic transmission, is forbidden without the prior written permission of Invacare® International Sarl.



Yes, you can.®

TABLE OF CONTENTS

Chassis

Chassis, SpinX	5
Rear wheel attachment	6
Rear wheel attachment, passive	7
Castor attachment	8

Seat

Seat upholstery	9
Seat upholstery, adj.	10
Seat upholstery, padded	11
Seat cushion	12

Backrest

Backrest tube, fixed	14
Backrest tube, adj.	15
Backrest tube with external push handles	16
Backrest upholstery, fixed	17
Backrest upholstery, adj.	18
Backrest MISTRAL2, tension adj. (->2012.04)	19

Legrests

Legrest 80° Alu2003, Fixed	20
Legrest 90° Alu2003, Fixed	21
Legrest AA	22
Amputee legrest, Alu2003	23
Amputee legrest	24

Footrests

Footrest, fixed, Alu2003	25
Footrest, AA, Alu2003	26
Footrest 90°, Alu2003	28
Footrest one piece 80°	29
Footrest one piece 90°	30
Calf strap, Alu2003 legrest	31
Heel strap	32

Siderests

Armrest, Flip-up	33
Armrest Rio, Height Adj.	34
Armrest attachment	35
Sideguard	36
Mudguard	37

Front Wheels

Castor wheels	38
---------------	----

Rear Wheels



Yes, you can.®

TABLE OF CONTENTS

Wheel 24-22-20"	39
Handrim Stainless Cpl, 24" Wheel, Std2010	41
Wheel 26-25"	42
Wheel 24" SPORTY	43
Wheel 24-22" DB	44
Handrim Stainless Cpl, 24" Wheel, Std2010	41

Brakes

Brake	46
Brake extender	47
One arm brake	48
Drumbrake, assistant manoeuvred SpinX	49
Drumbrake assistant manoeuvred (=> 2010.11)	50

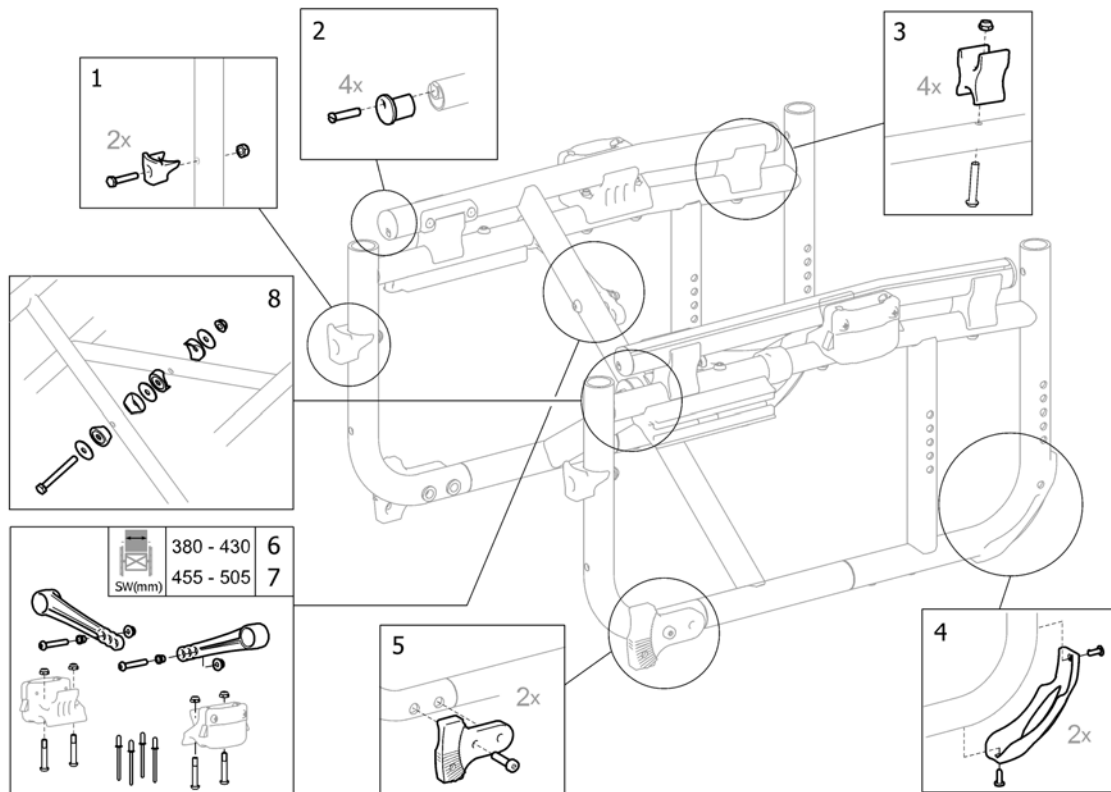
Safety Options

Pelvic belt, SpinX	51
Anti-tip device	52
Reflector	53

Others Options & Accessories

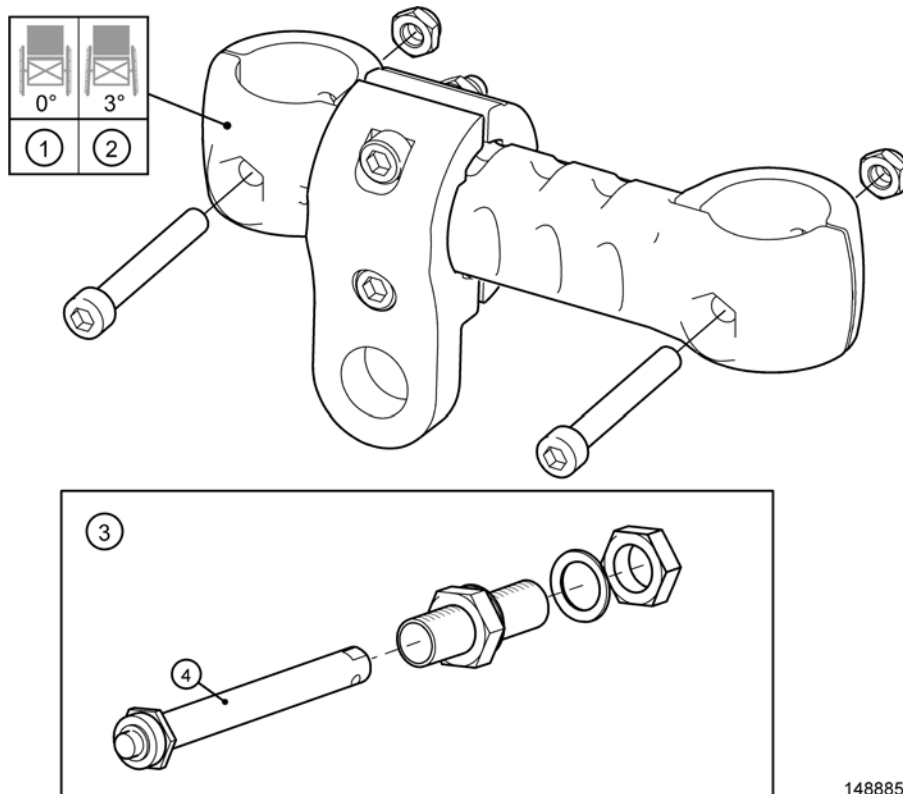
Backrest stay	54
Step tube	55
Crutch holder	56
Pump	57
Table tray	58

Chassis, SpinX



Pos.	Part number	Description	Valid from → until	Qty
1	1507973	STOP BLOCK, HANGER CPL., PAIR , SPINX		1
2	1507974	KIT, PLUG, SEAT TUBE (4-PACK)		1
3	1507975	LOCKING BRACKET, CROSS, CPL., PAIR		1
4	1507976	COVER, CHASSI CPL., PAIR SPINX		1
5	1507977	CASTOR BRACKET, CPL., PAIR		1
6	1508141	KIT, GUIDE ARM, CROSS, SW 38-43, SPINX		1
7	1508142	KIT, GUIDE ARM, CROSS, SW 45,5-50,5 ,SPINX		1
8	SP1584734	Screw kit, cross brace, SpinX		1

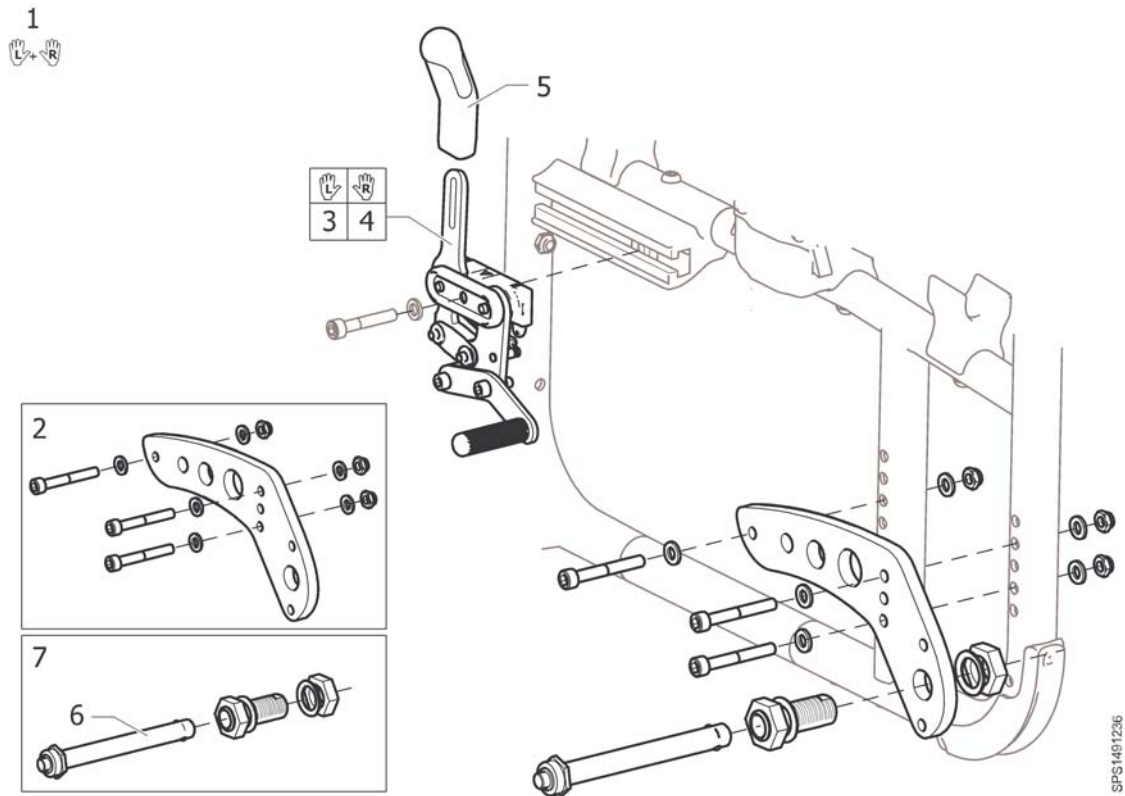
Rear wheel attachment



1488853

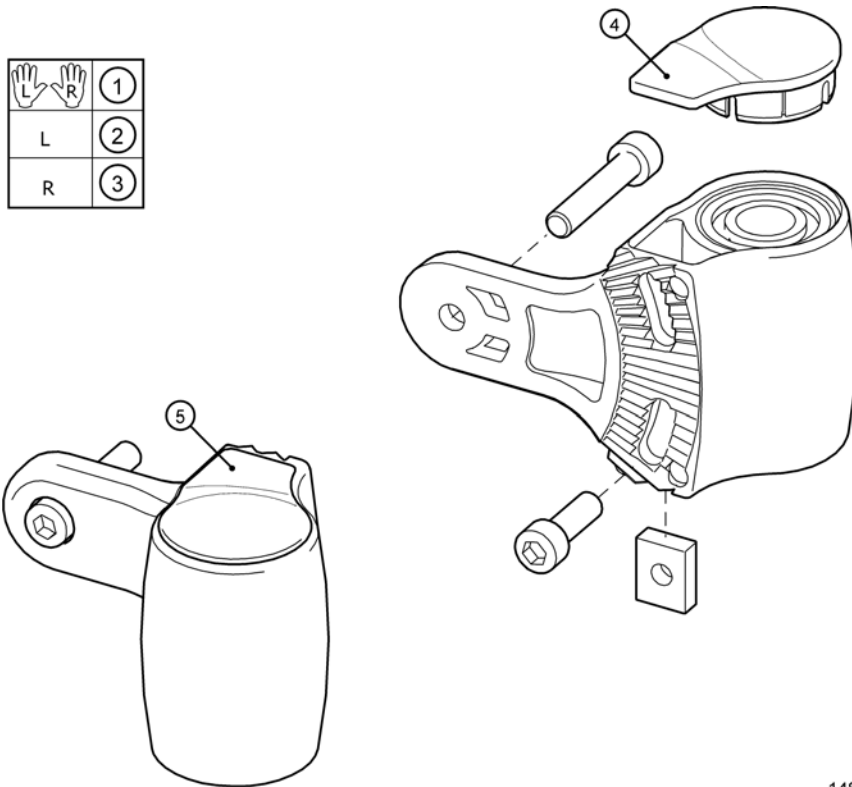
Pos.	Part number	Description	Valid from → until	Qty
1	1488853	ATTACHMENT, REAR WHEEL CPL		1
2	1483923	ATTACHMENT, REAR WHEEL CAMBER CPL		1
3	5750166	QR axle kit (when serial number start by 02)		1
4	5750165	QR Axle 12mm		1

Rear wheel attachment, passive



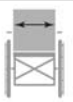

Pos.	Part number	Description	Valid from → until	Qty
1	1529770	Kit, passive rear wheel attachment, pair		1
2	1491236	ATTACHMENT, REAR WHEEL PASSIVE, CPL		1
3	1446117	BRAKE BODY LE, USER BRAKE, 16" WHEEL		1
4	1446116	BRAKE BODY RI, USER BRAKE, 16" WHEEL		1
5	5221280	HANDLE GRIP FOR PARKING BRAKE		1
6	5750165	QR Axle 12mm		1
7	5750166	QR axle kit (when serial number start by 02)		1

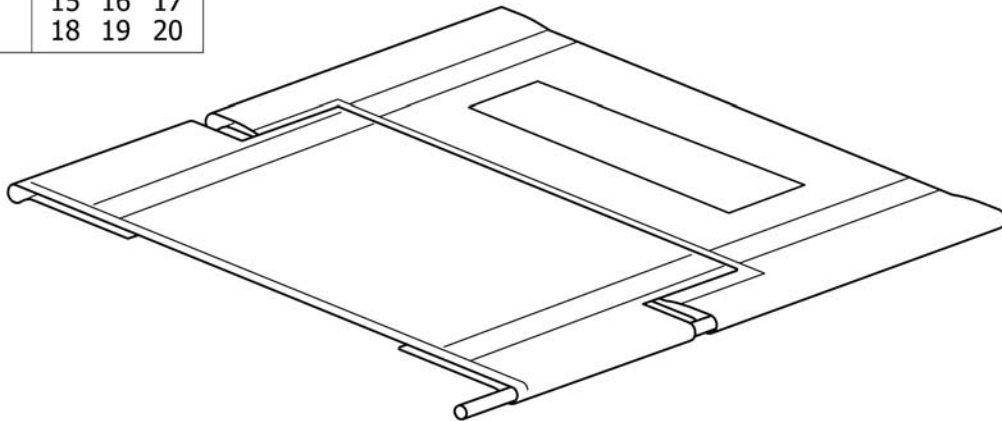
Castor attachment



1488857

Pos.	Part number	Description	Valid from → until	Qty
1	1485422	CASTOR HOUSING, CPL,PAIR		1
2	1488858	CASTOR HOUSING, CPL, LE		1
3	1488857	CASTOR HOUSING, CPL, RI		1
4	1487520	END CAP, CASTOR HOUSING LEFT		1
5	1483957	END CAP, CASTOR HOUSING RIGHT		1


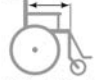
			
cm	40	45	50
35.5	1	2	
38	3	4	5
40.5	6	7	8
43	9	10	11
45.5	12	13	14
48	15	16	17
50.5	18	19	20

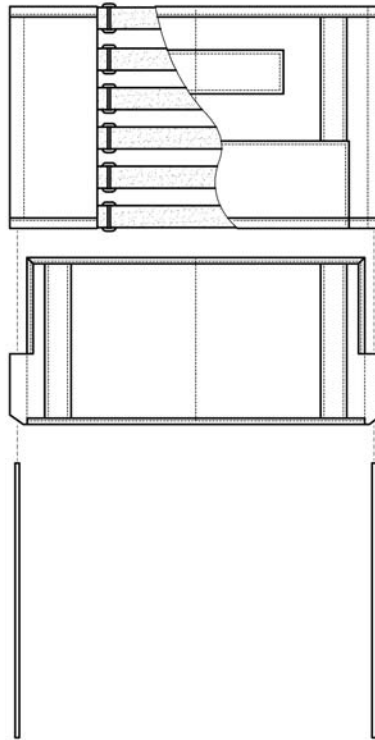


SP2519006

Pos.	Part number	Description	Valid from → until	Qty
1	5106214	Upholstery Adj. Cpl., Seat 35.5/40		1
2	5106216	Upholstery Adj. Cpl., Seat 35.5/45		1
3	5106337	Upholstery Adj. Cpl., Seat 38/40		1
4	5106338	Upholstery Adj. Cpl., Seat 38/45		1
5	1491251	Upholstery Adj. Cpl., Seat 38/50		1
6	5104005	Upholstery Adj. Cpl., Seat 40.5/40		1
7	5106217	Upholstery Adj. Cpl., Seat 40.5/45		1
8	1491252	Upholstery Adj. Cpl., Seat 40.5/50		1
9	5106339	Upholstery Adj. Cpl., Seat 43/40		1
10	5106340	Upholstery Adj. Cpl., Seat 43/45		1
11	1491253	Upholstery Adj. Cpl., Seat 43/50		1
12	5104006	Upholstery Adj. Cpl., Seat 45.5/40		1
13	5106218	Upholstery Adj. Cpl., Seat 45.5/45		1
14	1491254	Upholstery Adj. Cpl., Seat 45.5/50		1
15	1491249	Upholstery Adj. Cpl., Seat 48/40		1
16	1491250	Upholstery Adj. Cpl., Seat 48/45		1
17	1491284	Upholstery Adj. Cpl., Seat 48/50		1
18	1440017	Upholstery Adj. Cpl., Seat 50.5/40		1
19	1434717	Upholstery Adj. Cpl., Seat 50.5/45		1
20	1488065	Upholstery Adj. Cpl., Seat 50.5/50		1

Seat upholstery, adj.



				
cm	40	45	50	
38	1	2	3	
40.5	4	5	6	
43	7	8	9	
45.5	10	11	12	
48	13	14	15	
50.5	16	17	18	

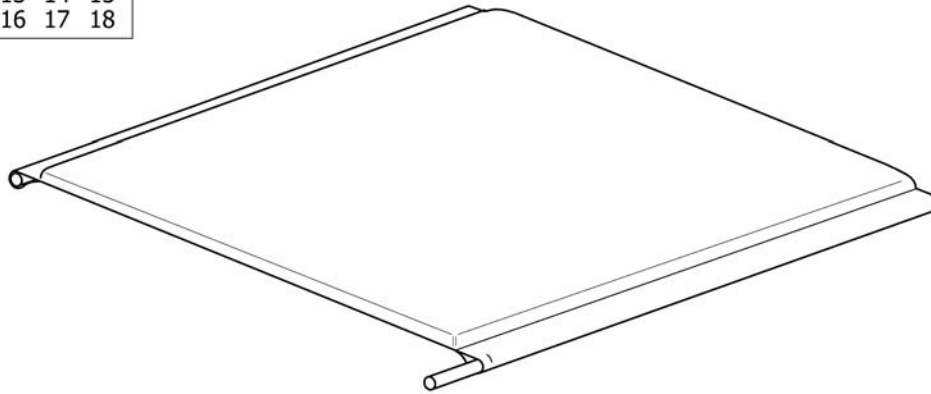


SPS106447

Pos.	Part number	Description	Valid from → until	Qty
1	5106448	Seat 38/40, tension adj.		1
2	5106454	Seat 38/45, tension adj.		1
3	1485558	Seat 38/50, tension adj.		1
4	5106449	Seat 41/40, tension adj.		1
5	5106455	Seat 41/45, tension adj.		1
6	1485559	Seat 41/50, tension adj.		1
7	5106450	Seat 43/40, tension adj.		1
8	5106456	Seat 43/45, tension adj.		1
9	1485560	Seat 43/50, tension adj.		1
10	5106451	Seat 46/40, tension adj.		1
11	5106457	Seat 46/45, tension adj.		1
12	1485561	Seat 46/50, tension adj.		1
13	1485551	Seat 48/40, tension adj.		1
14	1485552	Seat 48/45, tension adj.		1
15	1485557	Seat 48/50, tension adj.		1
16	1435834	Seat 50,5/40, tension adj.		1
17	1435835	Seat 50,5/45, tension adj.		1
18	1485562	Seat 50/50, tension adj.		1

Seat upholstery, padded

				
cm	40	45	50	
38	1	2	3	
40.5	4	5	6	
43	7	8	9	
45.5	10	11	12	
48	13	14	15	
50.5	16	17	18	



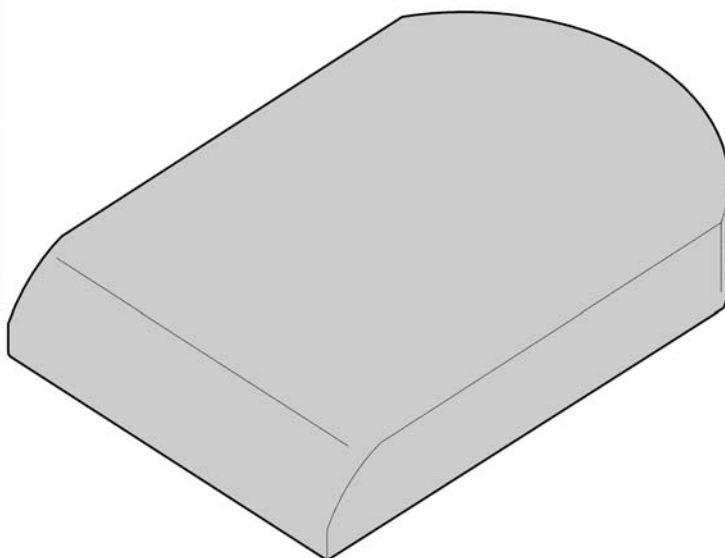
SPINX®

Pos.	Part number	Description	Valid from → until	Qty
1	1486496	SEAT 38/40 PADDED,CPL TR33		1
2	1486497	SEAT 38/45 PADDED,CPL TR33		1
3	1488068	SEAT 38/50 PADDED,CPL TR33		1
4	1486498	SEAT 40.5/40 PADDED,CPL TR33		1
5	1486499	SEAT 40.5/45 PADDED,CPL TR33		1
6	1488069	SEAT 40.5/50 PADDED,CPL TR33		1
7	1486500	SEAT 43/40 PADDED,CPL TR33		1
8	1486501	SEAT 43/45 PADDED,CPL TR33		1
9	1488070	SEAT 43/50 PADDED,CPL TR33		1
10	1486502	SEAT 45.5/40 PADDED,CPL TR33		1
11	1486503	SEAT 45.5/45 PADDED,CPL TR33		1
12	1488071	SEAT 45.5/50 PADDED,CPL TR33		1
13	1488066	SEAT 48/40 PADDED,CPL TR33		1
14	1488067	SEAT 48/45 PADDED,CPL TR33		1
15	1478606	SEAT 48/50 PADDED,CPL TR33		1
16	1486504	SEAT 50.5/40 PADDED,CPL TR33		1
17	1487441	SEAT 50.5/45 PADDED,CPL TR33		1
18	1478607	SEAT 50.5/50 PADDED,CPL TR33		1

Seat cushion

	SW	SD	TR18	TR32	TR35
Spirea ²	380	400	6	38	25
Spirea ³		450	7	39	26
Focus	405	400	9	40	27
		450	10	41	28
430	400	12	42	29	
	450	13	43	30	
455	400	15	44	31	
	450	16	45	32	
480	400	18	46	33	
	450	19	47	34	
505	400	21	48	35	
	450	22	49	36	
530	450	24	50	37	
555	450	24	50	37	

	SW	SD		
		400	450	500
Spin ^x	330	1	2	
XLT	355	3	4	5
Spirea ^{4NG}	380	6	7	8
	405	9	10	11
430		12	13	14
455		15	16	17
480		18	19	20
505		21	22	23



	Färg	Colour	Farbe	Couleur
TR18	jemima	jemima	Jemima	Jemima
TR32	plysch grå PRIMA	plush grey PRIMA	Plüsch grau PRIMA	velours gris PRIMA
TR35	plysch svart	plush black	Plüsch schwarz	velours noir

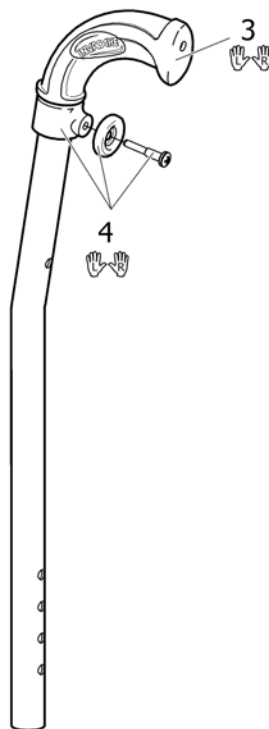
SPS103178

Pos.	Part number	Description	Valid from → until	Qty
1	5226506-TR18	Seat Cushion 340x400, Jemima Black, Standard		1
2	5226507-TR18	Seat Cushion 340x450, Jemima Black, Standard		1
3	5104255-TR18	Seat Cushion 360x400, Jemima Black, Standard		1
4	5104257-TR18	Seat Cushion 360x450, Jemima Black, Standard		1
5	1512809	Seat Cushion 360x500, Jemima Black, Standard		1
6	5104317-TR18	Seat Cushion 380x400, Jemima Black, Standard		1
7	5104319-TR18	Seat Cushion 380x450, Jemima Black, Standard		1
8	1495830	Seat Cushion 380x500, Jemima Black, Standard		1
9	5103179-TR18	Seat Cushion 410x400, Jemima Black, Standard		1
10	5104259-TR18	Seat Cushion 410x450, Jemima Black, Standard		1
11	1495831	Seat Cushion 410x500, Jemima Black, Standard		1
12	5104262-TR18	Seat Cushion 430x400, Jemima Black, Standard		1
13	5104264-TR18	Seat Cushion 430x450, Jemima Black, Standard		1
14	1495832	Seat Cushion 430x500, Jemima Black, Standard		1
15	5103180-TR18	Seat Cushion 460x400, Jemima Black, Standard		1
16	5104266-TR18	Seat Cushion 460x450, Jemima Black, Standard		1
17	1495833	Seat Cushion 460x500, Jemima Black, Standard		1
18	5226509-TR18	Seat Cushion 480x400, Jemima Black, Standard		1
19	5226510-TR18	Seat Cushion 480x450, Jemima Black, Standard		1
20	1495834	Seat Cushion 480x500, Jemima Black, Standard		1
21	5104269-TR18	Seat Cushion 500x400, Jemima Black, Standard		1
22	5104271-TR18	Seat Cushion 500x450, Jemima Black, Standard		1
23	1495835	Seat Cushion 500x500, Jemima Black, Standard		1
24	1435429	Seat Cushion 530x450, Jemima Black, Standard		1
25	5104317-TR35	Seat Cushion 380x400, Plush Black, Standard		1
26	5104319-TR35	Seat Cushion 380x450, Plush Black, Standard		1
27	5103179-TR35	Seat Cushion 410x400, Plush Black, Standard		1
28	5104259-TR35	Seat Cushion 410x450, Plush Black, Standard		1
29	5104262-TR35	Seat Cushion 430x400, Plush Black, Standard		1
30	5104264-TR35	Seat Cushion 430x450, Plush Black, Standard		1
31	5103180-TR35	Seat Cushion 460x400, Plush Black, Standard		1

Seat cushion

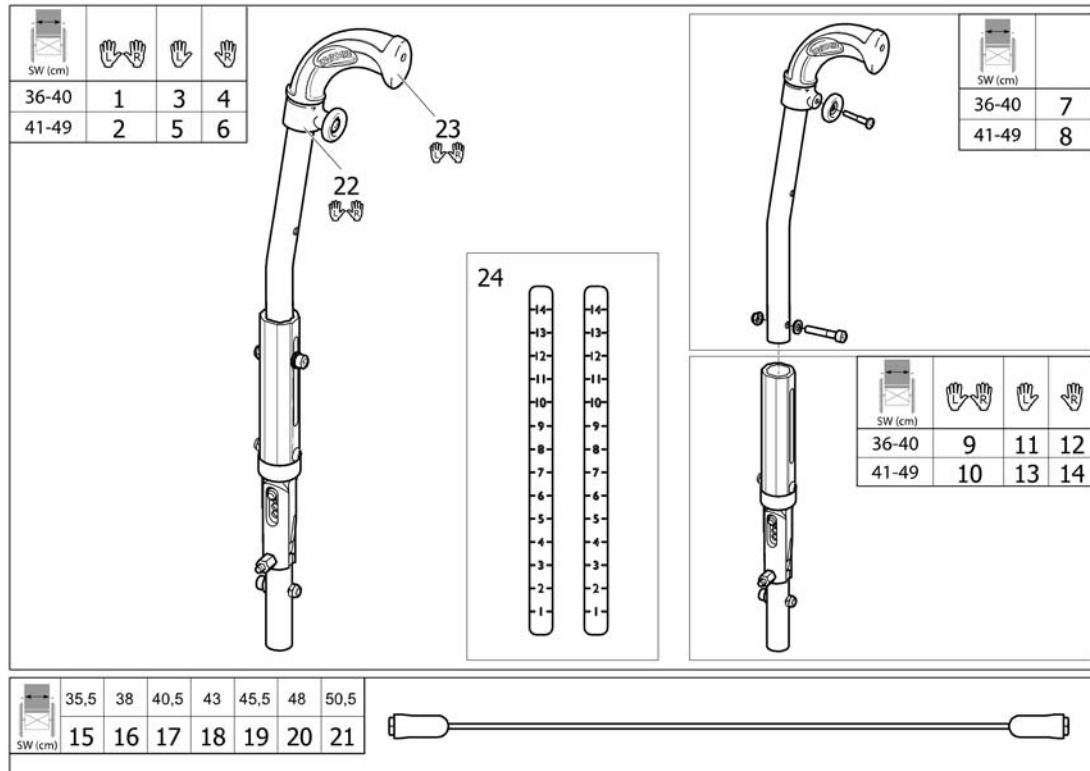
Pos.	Part number	Description	Valid from → until	Qty
32	5104266-TR35	Seat Cushion 460x450, Plush Black, Standard		1
33	5226509-TR35	Seat Cushion 480x400, Plush Black, Standard		1
34	5226510-TR35	Seat Cushion 480x450, Plush Black, Standard		1
35	5104269-TR35	Seat Cushion 500x400, Plush Black, Standard		1
36	5104271-TR35	Seat Cushion 500x450, Plush Black, Standard		1
37	1435445-TR35	Seat Cushion 530x450, Plush Black, Standard		1
38	5104317-TR32	Seat Cushion 380x400, Plush Grey Prima, Standard		1
39	5104319-TR32	Seat Cushion 380x450, Plush Grey Prima, Standard		1
40	5103179-TR32	Seat Cushion 410x400, Plush Grey Prima, Standard		1
41	5104259-TR32	Seat Cushion 410x450, Plush Grey Prima, Standard		1
42	5104262-TR32	Seat Cushion 430x400, Plush Grey Prima, Standard		1
43	5104264-TR32	Seat Cushion 430x450, Plush Grey Prima, Standard		1
44	5103180-TR32	Seat Cushion 460x400, Plush Grey Prima, Standard		1
45	5104266-TR32	Seat Cushion 460x450, Plush Grey Prima, Standard		1
46	5226509-TR32	Seat Cushion 480x400, Plush Grey Prima, Standard		1
47	5226510-TR32	Seat Cushion 480x450, Plush Grey Prima, Standard		1
48	5104269-TR32	Seat Cushion 500x400, Plush Grey Prima, Standard		1
49	5104271-TR32	Seat Cushion 500x450, Plush Grey Prima, Standard		1
50	1435445	Seat Cushion 530x450, Plush Grey Prima, Standard		1

Backrest tube, fixed



SPS1491207

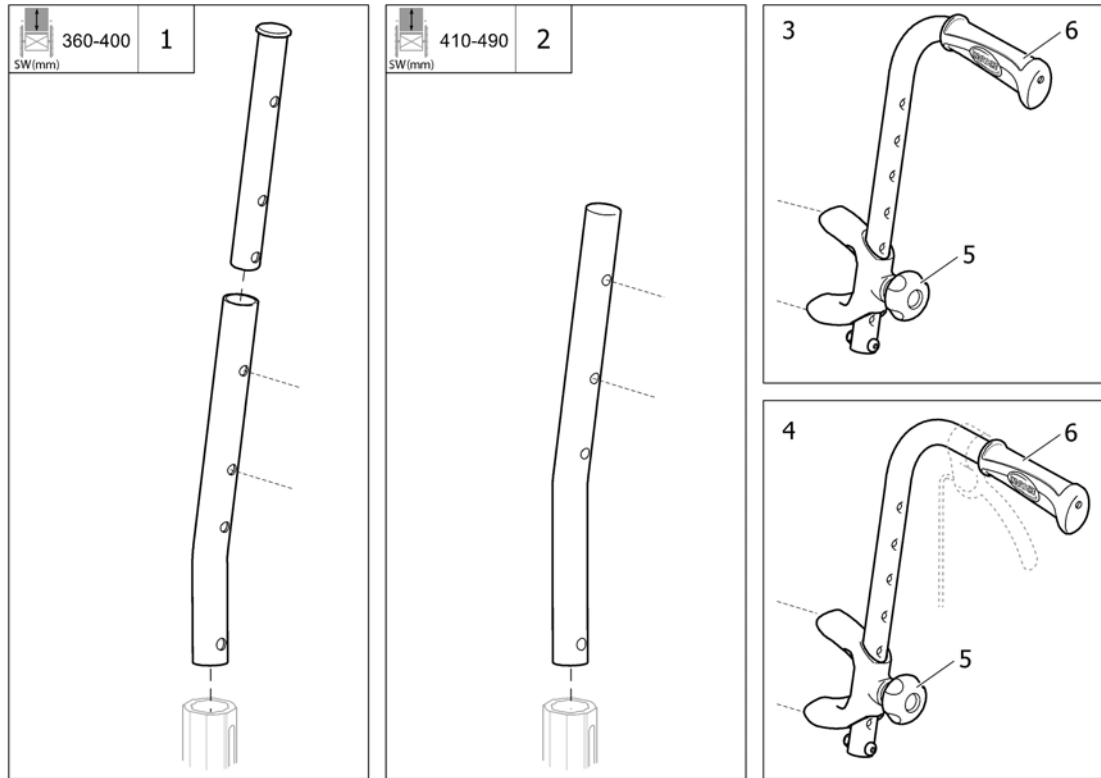
Pos.	Part number	Description	Valid from → until	Qty
1	1507970	BACKREST TUBE, CPL, PAIR		1
2	1491207	BACKREST TUBE, CPL WITH HANDLE		1
3	SP1429301	HANDLE 20MM, PAIR		1
4	1543736	FIXATION, BACKREST UPHOLSTERY		1



1488860

Pos.	Part number	Description	Valid from → until	Qty
1	1507981	BACKREST TUBE ADJ.LOW PAIR		1
2	1507984	BACKREST TUBE ADJ. HIGH PAIR		1
3	1507982	BACKREST TUBE ADJ.LOW LEFT		1
4	1507983	BACKREST TUBE ADJ.LOW RIGHT		1
5	1507985	BACKREST TUBE ADJ. HIGH LEFT		1
6	1507986	BACKREST TUBE ADJ. HIGH RIGHT		1
7	1488860	BACKREST TUBE, SHORT CPL WITH HANDLE		1
8	1489044	BACKREST TUBE, CPL WITH HANDLE		1
9	1485415	ATTACHMENT, BACKR, SHORT CPL, PAIR		1
10	1485416	ATTACHMENT, BACKREST CPL, PAIR		1
11	1491211	ATTACHMENT, BACKR, SHORT CPL, LEFT		1
12	1491210	ATTACHMENT, BACKR, SHORT CPL, RIGHT		1
13	1489022	ATTACHMENT, BACKREST CPL, LEFT		1
14	1489021	ATTACHMENT, BACKREST CPL, RIGHT		1
15	5226192	WIRE BACKREST LOCK 36 SPINX SW 35,5		1
16	5226193	WIRE BACKREST LOCK 38 SPINX SW 38		1
17	5226194	WIRE BACKREST LOCK 41 SPINX SW 40,5		1
18	5226195	WIRE BACKREST LOCK 43 SPINX SW 43		1
19	5226196	WIRE BACKREST LOCK 46 SPINX SW 45,5		1
20	5226411	WIRE BACKREST LOCK 48 SPINX SW 48		1
21	5226197	WIRE BACKREST LOCK 50 SPINX SW 50,5		1
22	1543736	FIXATION, BACKREST UPHOLSTERY		1
23	SP1429301	HANDLE 20MM, PAIR		1
24	SP1584148	Label pair, backrest height		1

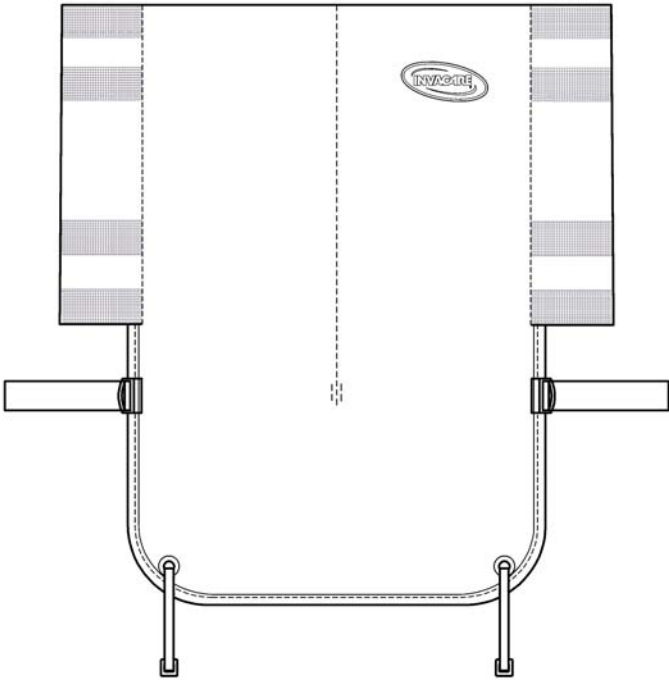
Backrest tube with external push handles



Pos.	Part number	Description	Valid from → until	Qty
1	1491208	BACKREST TUBE, CPL 0' SHORT		1
2	SP1574655	Backrest tube for additional push handle		1
3	1445825	Push handle 146x290, External		1
4	1434743	Push Handle, External (for drumbrakes)		1
5	1434841	Handwheel M10-22,5		1
6	SP1429301	HANDLE 20MM, PAIR		1

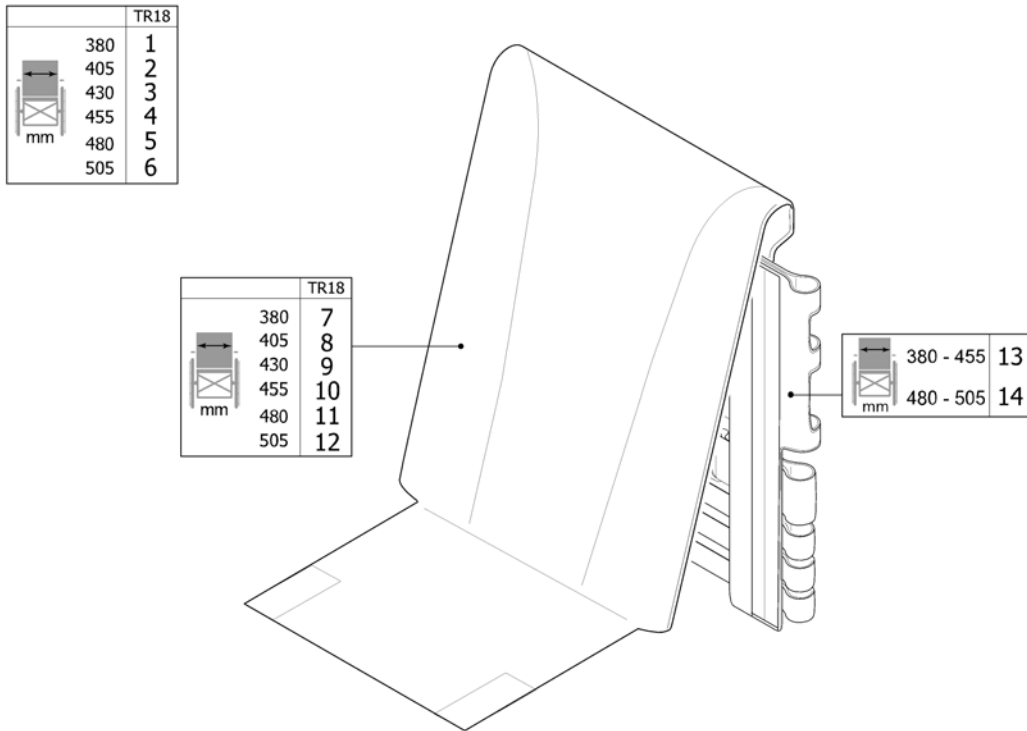
Backrest upholstery, fixed

355	1
380	2
405	3
430	4
455	5
480	6
505	7



Pos.	Part number	Description	Valid from → until	Qty
1	1495839	Upholstery, Backrest Fixed 35.5 Cpl, Jemima		1
2	1495840	Upholstery, Backrest Fixed 38 Cpl, Jemima		1
3	1495841	Upholstery, Backrest Fixed 40.5 Cpl, Jemima		1
4	1495842	Upholstery, Backrest Fixed 43 Cpl, Jemima		1
5	1495843	Upholstery, Backrest Fixed 45.5 Cpl, Jemima		1
6	1495844	Upholstery, Backrest Fixed 48 Cpl, Jemima		1
7	1495845	Upholstery, Backrest Fixed 50.5 Cpl, Jemima		1

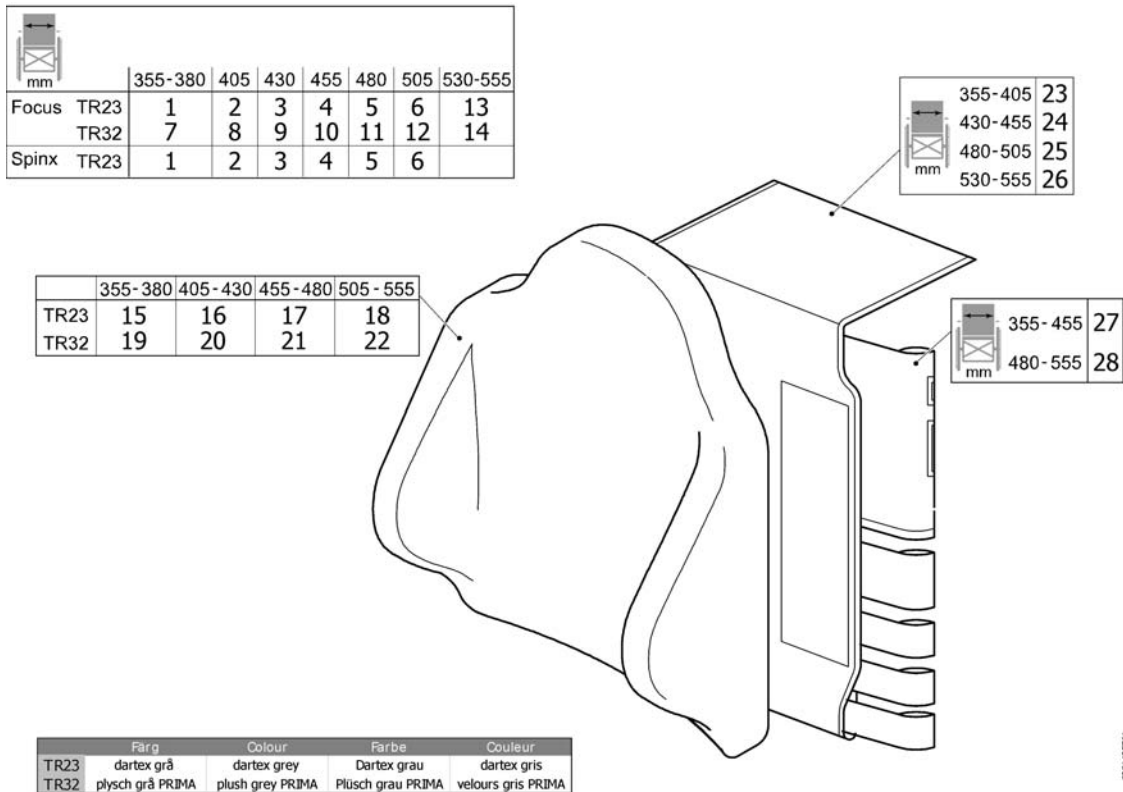
Backrest upholstery, adj.



SPINX0015

Pos.	Part number	Description	Valid from → until	Qty
1	1542540-TR18	UPHOLSTERY, BACKREST 380 CPL, HIGH, JEMIMA		1
2	1542541-TR18	UPHOLSTERY, BACKREST 405 CPL, HIGH, JEMIMA		1
3	1542542-TR18	UPHOLSTERY, BACKREST 430 CPL, HIGH, JEMIMA		1
4	1542543-TR18	UPHOLSTERY, BACKREST 455 CPL, HIGH, JEMIMA		1
5	1542544-TR18	UPHOLSTERY, BACKREST 480 CPL, HIGH, JEMIMA		1
6	1542545-TR18	UPHOLSTERY, BACKREST 505 CPL, HIGH, JEMIMA		1
7	1540578-TR18	Cover for Backrest adjustable SW380 Jemina		1
8	1540579-TR18	Cover for Backrest adjustable SW405 Jemina		1
9	1540580-TR18	Cover for Backrest adjustable SW430 Jemina		1
10	1540581-TR18	Cover for Backrest adjustable SW455 Jemina		1
11	1540582-TR18	Cover for Backrest adjustable SW480 Jemina		1
12	1540583-TR18	Cover for Backrest adjustable SW505 Jemina		1
13	1435415	BACKREST BODY 380-455 CPL.		1
14	1435416	BACKREST BOBY 480-530 CPL.		1

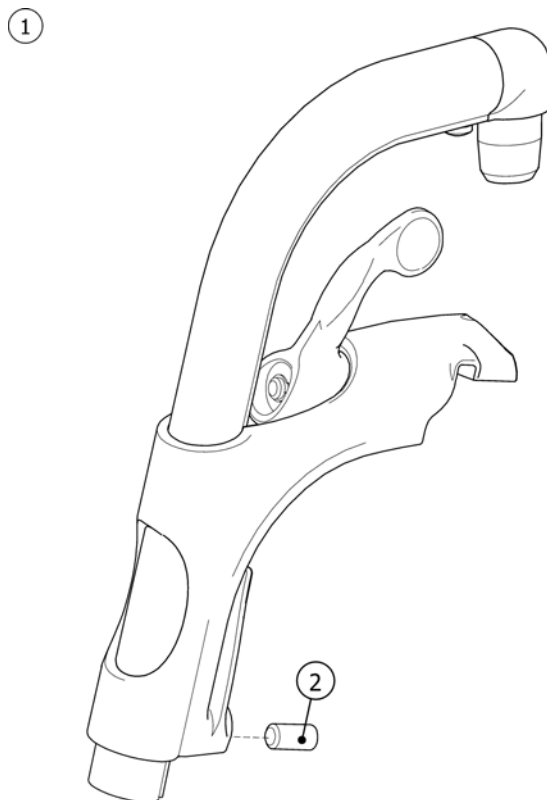
Backrest MISTRAL2, tension adj. (->2012.04)



1435761

Pos.	Part number	Description	Valid from → until	Qty
1	1435761	BACKREST "MISTRAL2", 38, TR23		1
2	1478566	BACKREST "MISTRAL2", 40,5, TR23		1
3	1435762	BACKREST "MISTRAL2", 43, TR23		1
4	1478567	BACKREST "MISTRAL2", 45,5, TR23		1
5	1435763	BACKREST "MISTRAL2", 48, TR23		1
6	1478568	BACKREST "MISTRAL2", 50,5, TR23		1
7	1435765	BACKREST "MISTRAL2", 38, TR32		1
8	1478569	BACKREST "MISTRAL2", 40,5, TR32		1
9	1435766	BACKREST "MISTRAL2", 43, TR32		1
10	1478570	BACKREST "MISTRAL2", 45,5 TR32		1
11	1435767	BACKREST "MISTRAL2", 48, TR32		1
12	1478571	BACKREST "MISTRAL2", 50,5, TR32		1
13	1435764	BACKREST "MISTRAL2", 53, TR23		1
14	1435768	BACKREST "MISTRAL2", 53, TR32		1
15	1431668	Cushion, Backrest Mistral2 355X510, Dartex Grey		1
16	1424651	Cushion, Backrest Mistral2 405X510, Dartex Grey		1
17	1424652	Cushion, Backrest Mistral2 455X510, Dartex Grey		1
18	1424653	Cushion, Backrest Mistral2 505X510, Dartex Grey		1
19	1431669	Cushion, Backrest Mistral2 355X510, Plush Grey		1
20	1435404	Cushion, Backrest Mistral2 405X510, Plush Grey		1
21	1435405	Cushion, Backrest Mistral2 455X510, Plush Grey		1
22	1435406	Cushion, Backrest Mistral2 505X510, Plush Grey		1
23	1435867	COVER, BACKREST BODY 38, MISTRAL2		1
24	1435868	COVER, BACKREST BODY 43, MISTRAL2		1
25	1435869	COVER, BACKREST BODY 48, MISTRAL2		1
26	1435870	COVER, BACKREST BODY 53, MISTRAL2		1
27	1435415	BACKREST BODY 380-455 CPL.		1
28	1435416	BACKREST BOBY 480-530 CPL.		1

Legrest 80° Alu2003, Fixed

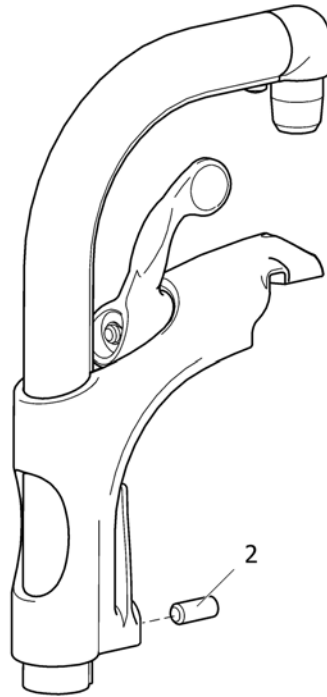


SFS1493057

Pos.	Part number	Description	Valid from → until	Qty
1	1493055-0501	HANGER ALU2003, FIXED 80 DEG, RED		1
1	1493055-0507	HANGER ALU2003, FIXED 80 DEG, BLUE		1
1	1493055-0509	Hanger Alu2003,Fixed 80 Deg,Cpl		1
1	1493055-0514	HANGER ALU2003, FIXED 80 DEG, ANTHRACITE BLACK		1
1	1493055-0515	HANGER ALU2003, FIXED 80 DEG, GREY		1
1	1493055-0517	HANGER ALU2003, FIXED 80 DEG, LIMEGREEN		1
1	1493055-0518	HANGER ALU2003, FIXED 80 DEG, ORANGE		1
2	1424571	Screw stop M10x23		1

Legrest 90° Alu2003, Fixed

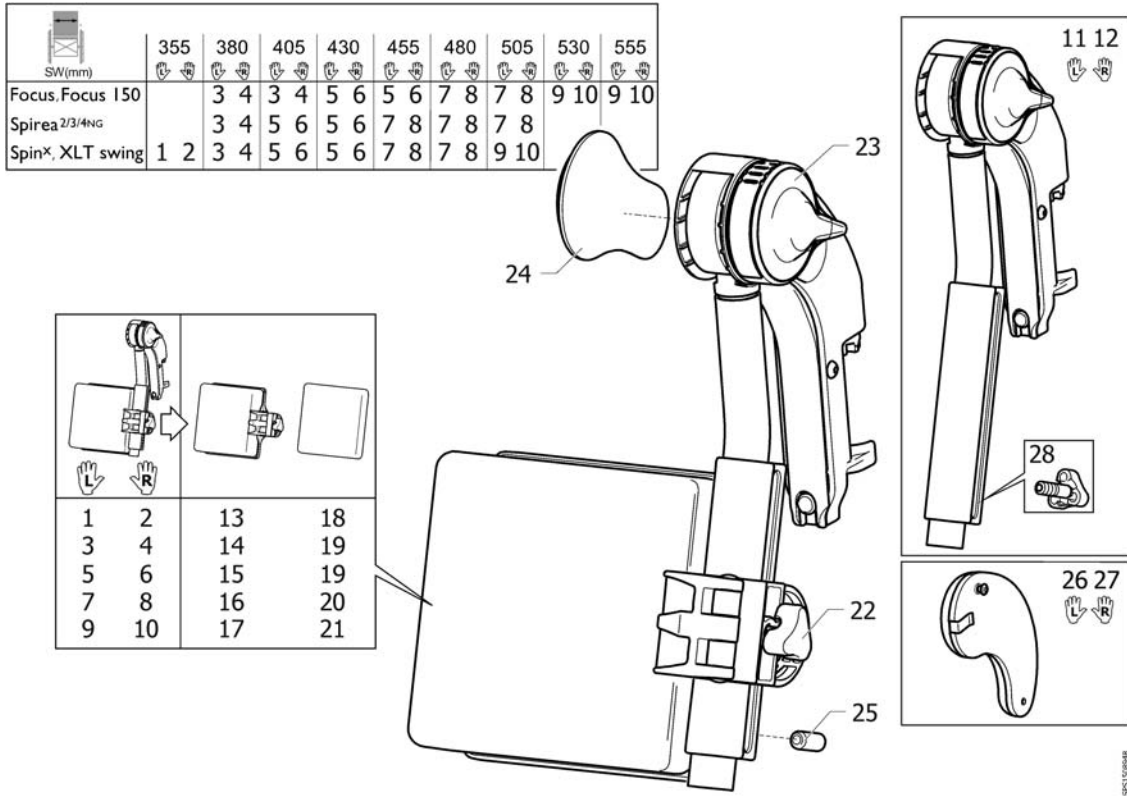
1



SPS1403056

Pos.	Part number	Description	Valid from → until	Qty
1	1493056-0501	HANGER ALU2003, FIXED 90 DEG, RED		1
2	1424571	Screw stop M10x23		1
1	1493056-0507	HANGER ALU2003, FIXED 90 DEG, BLUE		1
1	1493056-0509	Hanger fixed 90°		1
1	1493056-0514	HANGER ALU2003, FIXED 90 DEG, ANTHRACITE BLACK		1
1	1493056-0515	HANGER ALU2003, FIXED 90 DEG, GREY		1
1	1493056-0517	HANGER ALU2003, FIXED 90 DEG, LIMEGREEN		1
1	1493056-0518	HANGER ALU2003, FIXED 90 DEG, ORANGE		1
1	1424571	Screw stop M10x23		1

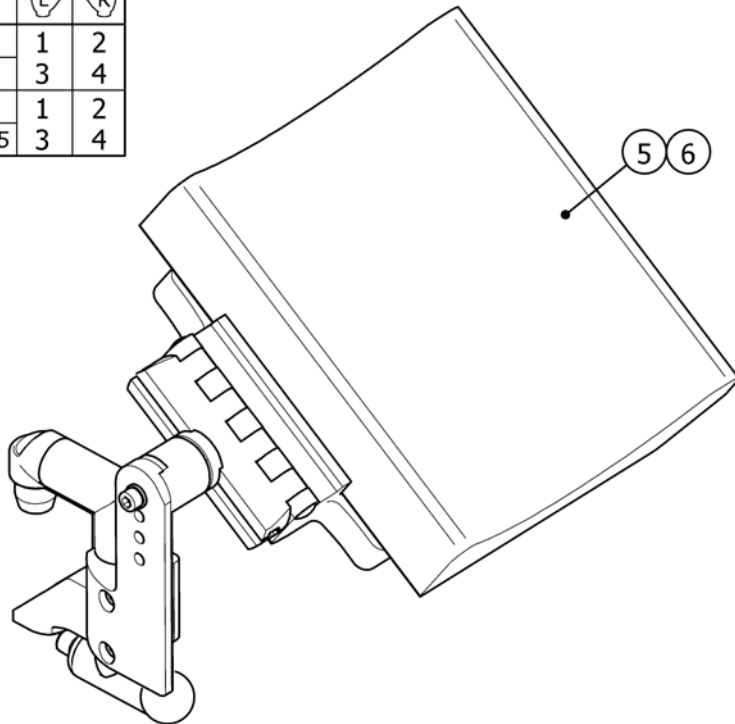
Legrest AA



Pos.	Part number	Description	Valid from → until	Qty
1	1524990	Hanger (+ Calfpad 10), Le, Alu2008 Legrest		1
2	1524991	Hanger (+ Calfpad 10), Ri, Alu2008 Legrest		1
3	1524992	Hanger (+ Calfpad 11.5), Le, Alu2008 Legrest		1
4	1524993	Hanger (+ Calfpad 11.5), Ri, Alu2008 Legrest		1
5	1524994	Hanger (+ Calfpad 12), Le, Alu2008 Legrest		1
6	1524995	Hanger (+ Calfpad 12), Ri, Alu2008 Legrest		1
7	1525027	Hanger (+ Calfpad 15), Le, Alu2008 Legrest		1
8	1525028	Hanger (+ Calfpad 15), Ri, Alu2008 Legrest		1
9	1525029	Hanger (+ Calfpad 18), Le, Alu2008 Legrest		1
10	1525030	Hanger (+ Calfpad 18), Ri, Alu2008 Legrest		1
11	1508945	Lh elevating legrest		1
12	1508948	Rh elevating legrest		1
13	1518616	Calf Support 10		1
14	1518617	Calf Support 11.5		1
15	1518531	Calfpad 16", cpl.		1
16	1518532	Calfpad, 19", Dartex black, cpl.		1
17	1518533	Calf Support 18		1
18	5106406	Pad, Calf Support 10		1
19	5104185	Pad, Calf Support 12		1
20	5104186	Pad, Calf Support 15		1
21	5104187	Pad, Calf Support 18		1
22	1429215	HANDWHEEL M8		1
23	1508943	Incline adjustment lever		1
24	1428336	Kneepad		1
25	1424571	Screw stop M10x23		1
26	1445811	Kneepad (Incl Screw), Le, aa Legrest Alu2003		1
27	1445812	Kneepad (Incl Screw), Ri, aa Legrest Alu2003		1
28	1429326	Handwheel M10, Spring		1

Amputee legrest, Alu2003

	SW (cm)	L	R
Focus, Focus I 50	38-45,5	1	2
	48-55,5	3	4
Spirea ² , Spirea ³	38-43	1	2
Spin ^x , XLT swing	45,5-50,5	3	4

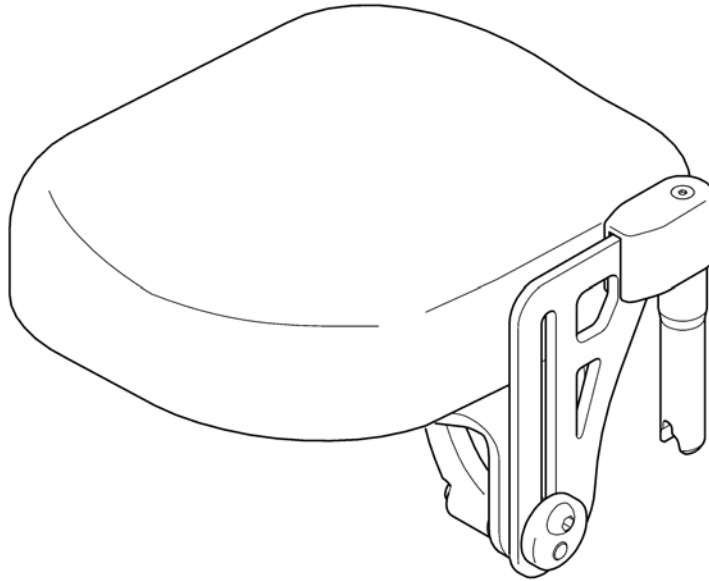


SPS1429191

Pos.	Part number	Description	Valid from → until	Qty
1	1429192-0509	AMP, LEGREST ALU 2003 160X55X220 CPL, LE, TR18		1
2	1429191-0509	AMP, LEGREST ALU 2003 160X55X220 CPL, RI, TR18		1
3	1429211-0509	AMP, LEGREST ALU 2003 190X55X220 CPL, LE, TR18		1
4	1429212-0509	AMP, LEGREST ALU 2003 190X55X220 CPL, RI, TR18		1
5	5104667	CUSHION AMP. 160X55X220 WITH ATTACHMENT, TR 18		1
6	5104668	CUSHION AMP. 190X55X220 WITH ATTACHMENT, TR 18		1

Amputee legrest

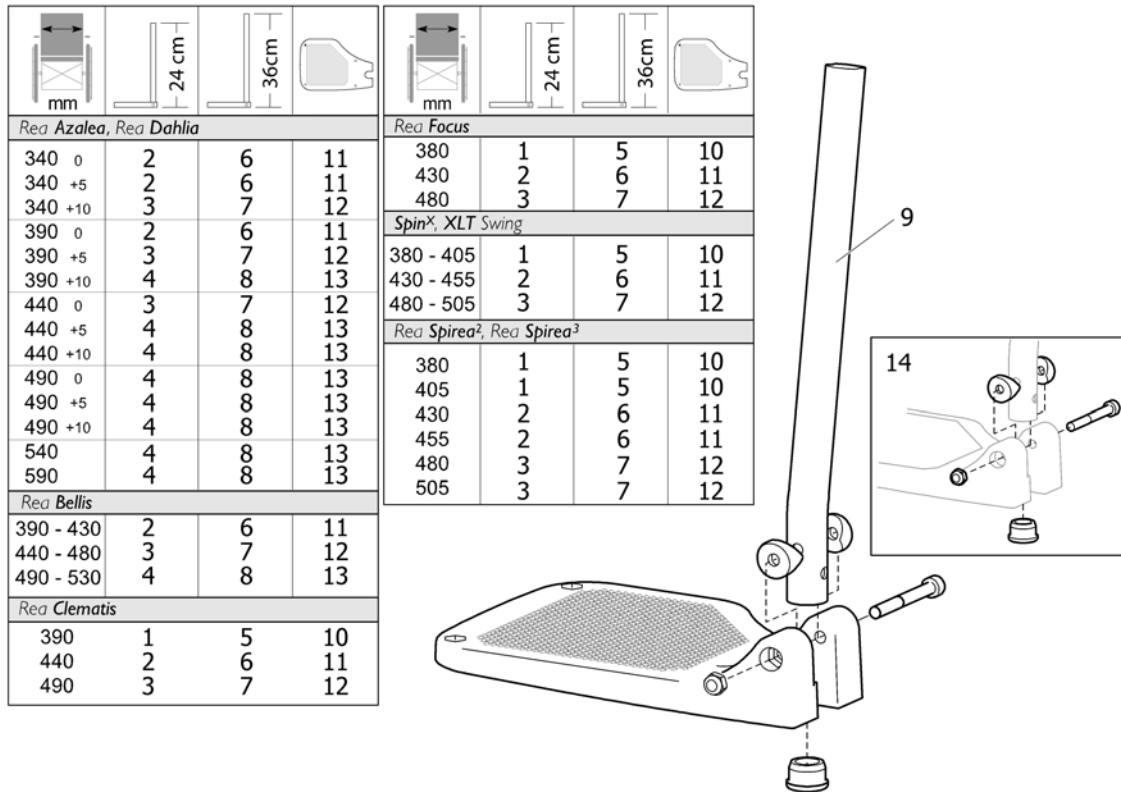
1 2
👤 👤



0623415361

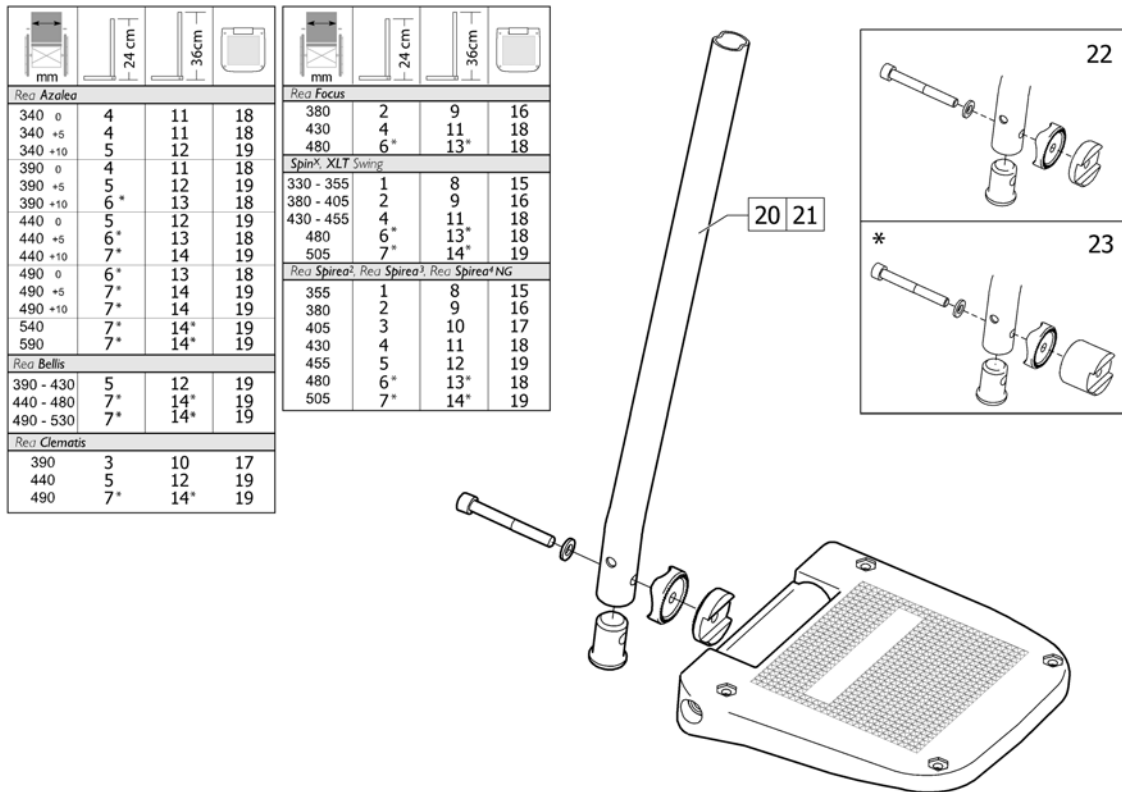
Pos.	Part number	Description	Valid from → until	Qty
1	1442991	Support Lh, legrest amputee		1
2	1442990	Support Rh, legrest amputee		1

Footrest, fixed, Alu2003



Pos.	Part number	Description	Valid from → until	Qty
1	1428357	FOOTREST 19, "ALU2003", FIXED, SHORT, LEFT		1
1	1428358	FOOTREST 19, "ALU2003", FIXED, SHORT, RIGHT		1
2	1428361	FOOTREST 21ALU2003,LOWER PART,FIXED,SHORT,LEFT		1
2	1428362	FOOTREST 21ALU2003,LOWER PART,FIXED,SHORT,RIGHT		1
3	1428365	FOOTREST 24ALU2003,LOWER PART,FIXED,SHORT,LEFT		1
3	1428366	FOOTREST 24ALU2003,LOWER PART,FIXED,SHORT,RIGHT		1
4	1435756	FOOTREST 27ALU2003,LOWER PART,FIXED,SHORT,LEFT		1
4	1435757	FOOTREST 27ALU2003,LOWER PART,FIXED,SHORT,RIGHT		1
5	1428359	FOOTREST 19, "ALU2003", FIXED, LONG, LEFT		1
5	1428360	FOOTREST 19, "ALU2003", FIXED, LONG, RIGHT		1
6	1428363	LOWER FOOTREST STANDARD WITH HEELSTRAP, width 43-45,5cm, LEFT		1
6	1428364	LOWER FOOTREST STANDARD, WITH HEELSTRAP, width 43-45,5cm, RIGHT		1
7	1428367	Footrest 24 Fixed, Long, Lh, Alu2003		1
7	1428368	Footrest 24 Fixed, Long, Rh, Alu2003		1
8	1435659	FOOTREST 27ALU2003,LOWER PART,FIXED,LONG,LEFT		1
8	1435660	FOOTREST 27ALU2003,LOWER PART,FIXED,LONG,RIGHT		1
9	1434561-0010	Standard tube for fixed footrest		1
9	1434563-0010	Long tube for fixed and a&d adjustable footrest		1
10	1428340	Fixed footplate 175mm (SW380-405) Left		1
10	1428341	Fixed footplate 175mm (SW380-405) Right		1
11	1424574	Fixed footplate 200mm (SW430-455) Left		1
11	1424575	Fixed footplate 200mm (SW430-455) Right		1
12	1428346	Fixed footplate 225mm (SW480-505) Left		1
12	1428347	Fixed footplate 225mm (SW480-505) Right		1
13	1428374	Fixed footplate NG Lh 250 mm (SW550/605 Action NG)(SW490 Esprit Clematis)		1
13	1428375	Fixed footplate NG Rh 250 mm (SW550/605 Action NG)(SW490 Esprit Clematis)		1
14	1430433	Kit screws for fixed footrest		1

Footrest, AA, Alu2003

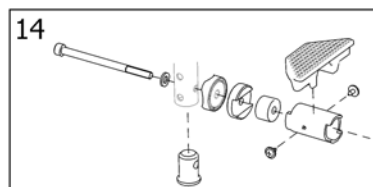
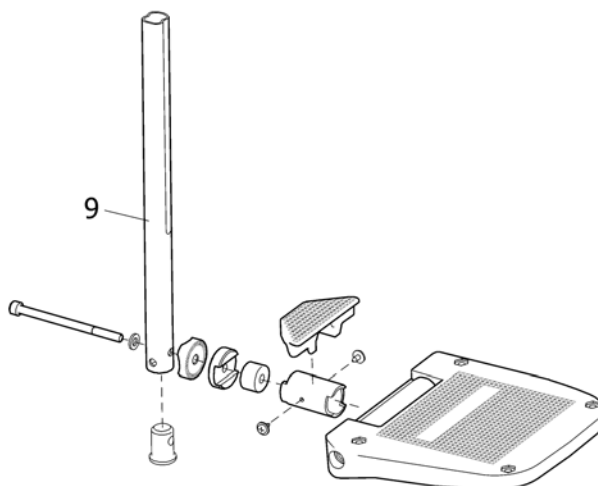


Pos.	Part number	Description	Valid from → until	Qty
1	1485430	Footrest 12 Short, Le, "Alu2003"		1
1	1485524	Footrest 12 Short, Ri, "Alu2003"		1
2	1429159	Footrest 14 aa, "Alu2003", Short, Left		1
2	1429160	Footrest 14 aa, "Alu2003", Short, Right		1
3	1429161	Footrest 16 aa, "Alu2003", Short, Left		1
3	1429162	Footrest 16 aa, "Alu2003", Short, Right		1
4	1429163	Footrest 17 aa, "Alu2003", Short, Left		1
4	1429164	Footrest 17 aa, "Alu2003", Short, Right		1
5	1429165	Footrest 18, "Alu2003", Lower Part, aa, Short, Left		1
5	1429166	Footrest 18, "Alu2003", Lower Part, aa, Short, Right		1
6	1429167	Footrest 19 aa, "Alu2003", Short, Left		1
6	1429168	Footrest 19 aa, "Alu2003", Short, Right		1
7	1429169	Footrest 20 Alu2003, Lower Part, aa, Short, Left		1
7	1429170	Footrest 20 Alu2003, Lower Part, aa, Short, Right		1
8	1485428	Footrest 12 Long, Le, "Alu2003"		1
8	1485429	Footrest 12 Long, Ri, "Alu2003"		1
9	1429171	Footrest 14 aa, "Alu2003", Long, Left		1
9	1429172	Footrest 14 aa, "Alu2003", Long, Right		1
10	1429173	Footrest 16 aa, "Alu2003", Long, Left		1
10	1429174	Footrest 16 aa, "Alu2003", Long, Right		1
11	1429175	Footrest 17 aa, "Alu2003", Long, Left		1
11	1429176	Footrest 17 aa, "Alu2003", Long, Right		1
12	1429177	Footrest 18, "Alu2003", Lower Part, aa, Long, Left		1
12	1429178	Footrest 18, "Alu2003", Lower Part, aa, Long, Ri		1
13	1429179	Footrest 19 aa, "Alu2003", Long, Left		1
13	1429180	Footrest 19 aa, "Alu2003", Long, Right		1
14	1429181	Footrest 20 Alu2003, Lower Part, aa, Long, Left		1
14	1429182	Footrest 20 Alu2003, Lower Part, aa, Long, Right		1
15	5106372	Footplate 12 aa, Cpl.		1
16	5106374	Footplate, angle and depth adjustable, 141 mm		1
17	5106375	Footplate, angle and depth adjustable, 156 mm		1

Pos.	Part number	Description	Valid from → until	Qty
18	5106594	Footplate, angle and depth adjustable, 166 mm		1
19	5106376	Footplate, angle and depth adjustable, 176 mm		1
20	1434561-0010	Standard tube for fixed footrest		1
21	1434563-0010	Long tube for fixed and a&d adjustable footrest		1
22	1430839	Kit fixation, adjustable footplate, short spacer		1
23	1430840	Kit fixation, adjustable footplate, long spacer		1

Footrest 90°, Alu2003

<i>Rea Bellis</i>			
S (39 - 43)	2	6	11
M (44 - 48)	3	7	12
L (49 - 53)	4	8	13
<i>Rea Azalea, Rea Comfort</i>			
34-39	2	6	11
44	3	7	12
49	4	8	13
<i>Rea Clematis</i>			
39	1	5	10
44	2	6	11
49	3	7	12
<i>Rea Focus</i>			
38	1	5	10
43	2	6	11
48	3	7	12
<i>SpinX, XLT Swing, Rea Spirea²</i>			
38 - 40,5	1	5	10
43 - 45,5	2	6	11
48 - 50,5	3	7	12

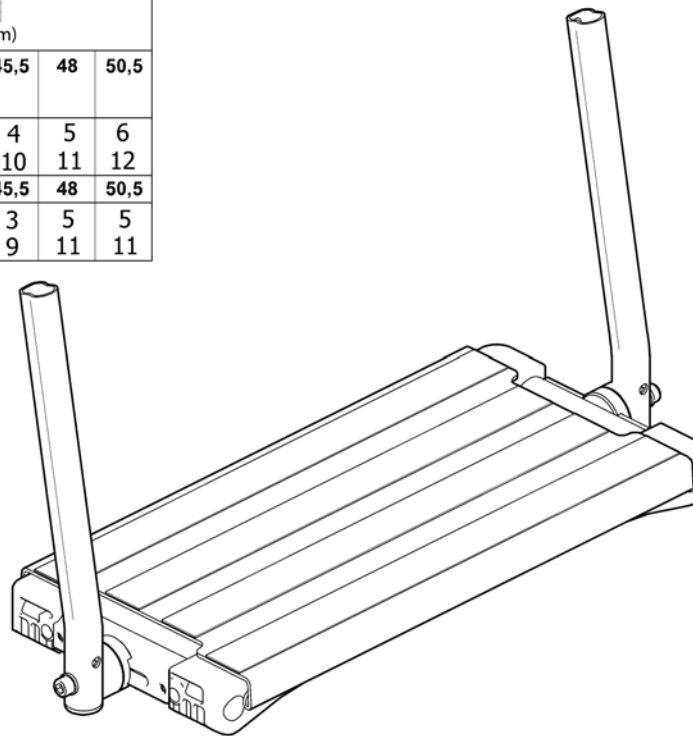


SPS1446130

Pos.	Part number	Description	Valid from → until	Qty
1	1446130	FOOTREST 11 AA, 90° "ALU2003", SHORT, LEFT		1
1	1446131	FOOTREST 11 AA, 90° "ALU2003", SHORT, RIGHT		1
2	1446132	FOOTREST LOWER PART 13, AA, FOOTR. 90, SHORT, LH		1
2	1446133	FOOTREST LOWER PART 13, AA, FOOTR. 90, SHORT, RH		1
3	1446134	FOOTREST LOWER PART 16, AA, FOOTR. 90, SHORT, LH		1
3	1446135	FOOTREST LOWER PART 16, AA, FOOTR. 90, SHORT, RH		1
4	1446159	FOOTREST LOWER PART 18, AA, FOOTR. 90, SHORT, LH		1
4	1446160	FOOTREST LOWER PART 18, AA, FOOTR. 90, SHORT, RH		1
5	1446136	FOOTREST 11 AA, 90° "ALU2003", LONG, LEFT		1
5	1446137	FOOTREST 11 AA, 90° "ALU2003", LONG, RIGHT		1
6	1446138	FOOTREST LOWER PART 13, AA, FOOTR. 90, LONG, LH		1
6	1446139	FOOTREST LOWER PART 13, AA, FOOTR. 90, LONG, RH		1
7	1446140	FOOTREST LOWER PART 16, AA, FOOTR. 90, LONG, LH		1
7	1446141	FOOTREST LOWER PART 16, AA, FOOTR. 90, LONG, RH		1
8	1446161	FOOTREST LOWER PART 18, AA, FOOTR. 90, LONG, LH		1
8	1446162	FOOTREST LOWER PART 18, AA, FOOTR. 90, LONG, RH		1
9	1440035	TUBE, LEGREST, LONG (346)		1
9	1446094	TUBE, LEGREST, SHORT (221)		1
10	5106371	Footplate, angle and depht adjustable, 106 mm		1
11	5106373	Footplate, angle and depth adjustable, 131 mm		1
12	5106375	Footplate, angle and depth adjustable, 156 mm		1
13	5106376	Footplate, angle and depth adjustable, 176 mm		1
14	1497913	SCREW KIT FOOTREST 90 ALU 2004		1

Footrest one piece 80°

SH (cm)	SW (cm)					
XLT swing SpinX Spirea^{2/3/4}	38	40,5	43	45,5	48	50,5
38 - 48	1	2	3	4	5	6
50.5 - 53	7	8	9	10	11	12
Focus	38	40,5	43	45,5	48	50,5
36.5 - 46.5	1	1	3	3	5	5
49 - 54	7	7	9	9	11	11

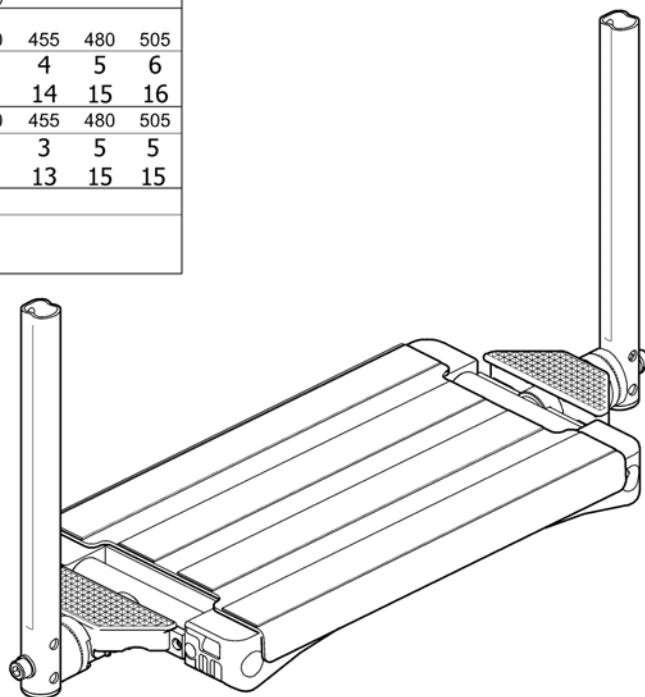


SPS 1496945

Pos.	Part number	Description	Valid from → until	Qty
1	1496945	One piece footboard, short tube, SW380 mm, depth and angle adjustable, hanger 80°		1
2	1496946	One piece footboard, short tube, SW405 mm, depth and angle adjustable, hanger 80°		1
3	1496947	One piece footboard, short tube, SW430 mm, depth and angle adjustable, hanger 80°		1
4	1496948	One piece footboard, short tube, SW455 mm, depth and angle adjustable, hanger 80°		1
5	1496949	One piece footboard, short tube, SW480 mm, depth and angle adjustable, hanger 80°		1
6	1496953	One piece footboard, short tube, SW505 mm, depth and angle adjustable, hanger 80°		1
7	1496954	One piece footboard, long, SW380, depth and angle adjustable, hanger 80°		1
8	1496955	One piece footboard, long, SW405, depth and angle adjustable, hanger 80°		1
9	1496982	One piece footboard, long, SW430, depth and angle adjustable, hanger 80°		1
10	1497004	One piece footboard, long, SW455, depth and angle adjustable, hanger 80°		1
11	1497005	One piece footboard, long, SW480, depth and angle adjustable, hanger 80°		1
12	1497006	One piece footboard, long, SW505, depth and angle adjustable, hanger 80°		1

Footrest one piece 90°

	SH (mm)						SW (mm)					
XLT Swing, SpinX, Spirea ^{NG}	380	405	430	455	480	505	380	405	430	455	480	505
410 - 480	1	2	3	4	5	6						
505 - 530	11	12	13	14	15	16						
Focus	380	405	430	455	480	505	380	405	430	455	480	505
365 - 465	1	1	3	3	5	5						
490 - 540	11	11	13	13	15	15						
Focus 150	530	580					530	580				
440 - 490	7	7										
490 - 540	17	17										

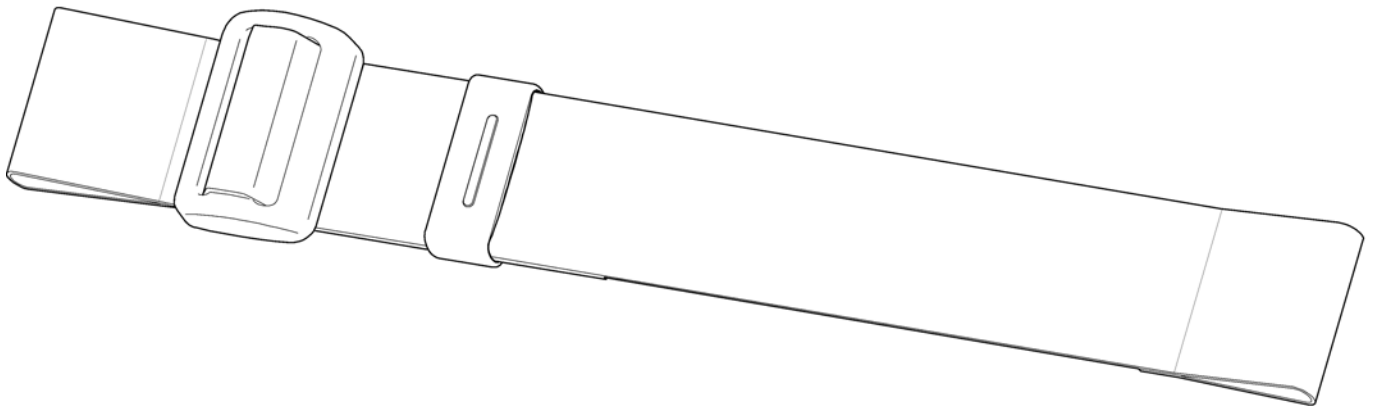


SP51491248

Pos.	Part number	Description	Valid from → until	Qty
1	1491247	FOOTREST ONE PIECE 197, ANGLE ADJ., SHORT		1
2	1491248	FOOTREST ONE PIECE 222, ANGLE ADJ., SHORT		1
3	1493267	FOOTREST ONE PIECE 247, ANGLE ADJ., SHORT		1
4	1493268	FOOTREST ONE PIECE 272, ANGLE ADJ., SHORT		1
5	1493269	FOOTREST ONE PIECE 297, ANGLE ADJ., SHORT		1
6	1493270	FOOTREST ONE PIECE 322, ANGLE ADJ., SHORT		1
7	1495821	FOOTREST ONE PIECE 347, ANGLE ADJ., SHORT		1
8	1495822	FOOTREST ONE PIECE 372, ANGLE ADJ., SHORT		1
9	1495823	FOOTREST ONE PIECE 397, ANGLE ADJ., SHORT		1
10	1495824	FOOTREST ONE PIECE 422, ANGLE ADJ., SHORT		1
11	1493349	FOOTREST ONE PIECE 197, ANGLE ADJ., LONG		1
12	1493350	FOOTREST ONE PIECE 222, ANGLE ADJ., LONG		1
13	1493351	FOOTREST ONE PIECE 247, ANGLE ADJ., LONG		1
14	1493358	FOOTREST ONE PIECE 272, ANGLE ADJ., LONG		1
15	1493359	FOOTREST ONE PIECE 297, ANGLE ADJ., LONG		1
16	1493377	FOOTREST ONE PIECE 322, ANGLE ADJ., LONG		1
17	1495825	FOOTREST ONE PIECE 347, ANGLE ADJ., LONG		1
18	1495826	FOOTREST ONE PIECE 372, ANGLE ADJ., LONG		1
19	1495827	FOOTREST ONE PIECE 397, ANGLE ADJ., LONG		1
20	1495828	FOOTREST ONE PIECE 422, ANGLE ADJ., LONG		1

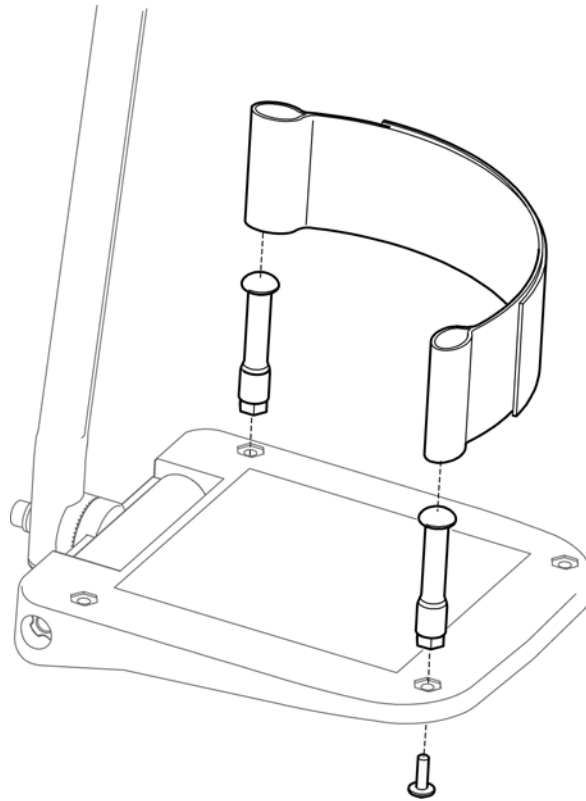
Calf strap, Alu2003 legrest

SPS1429214



Pos.	Part number	Description	Valid from → until	Qty
	1429214	Calf strap adjustable, medium		1

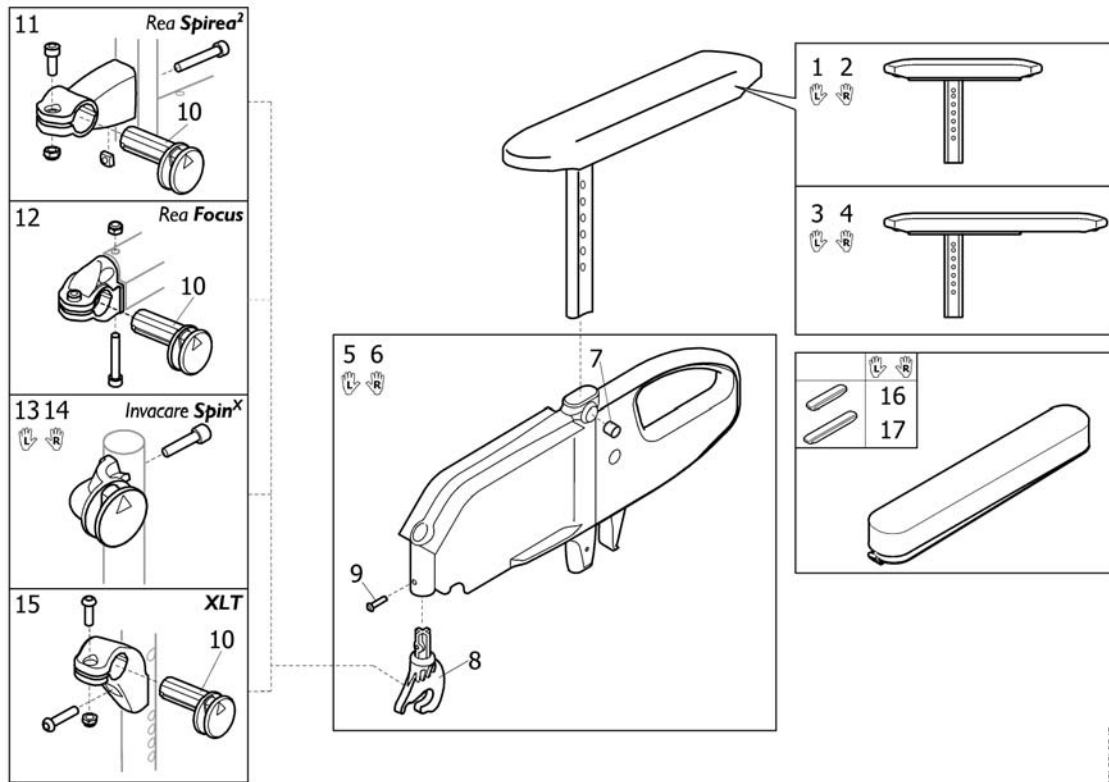
Heel strap



SPS5106433

Pos.	Part number	Description	Valid from → until	Qty
	5321579	Heel strap 400/500 (pair)		1

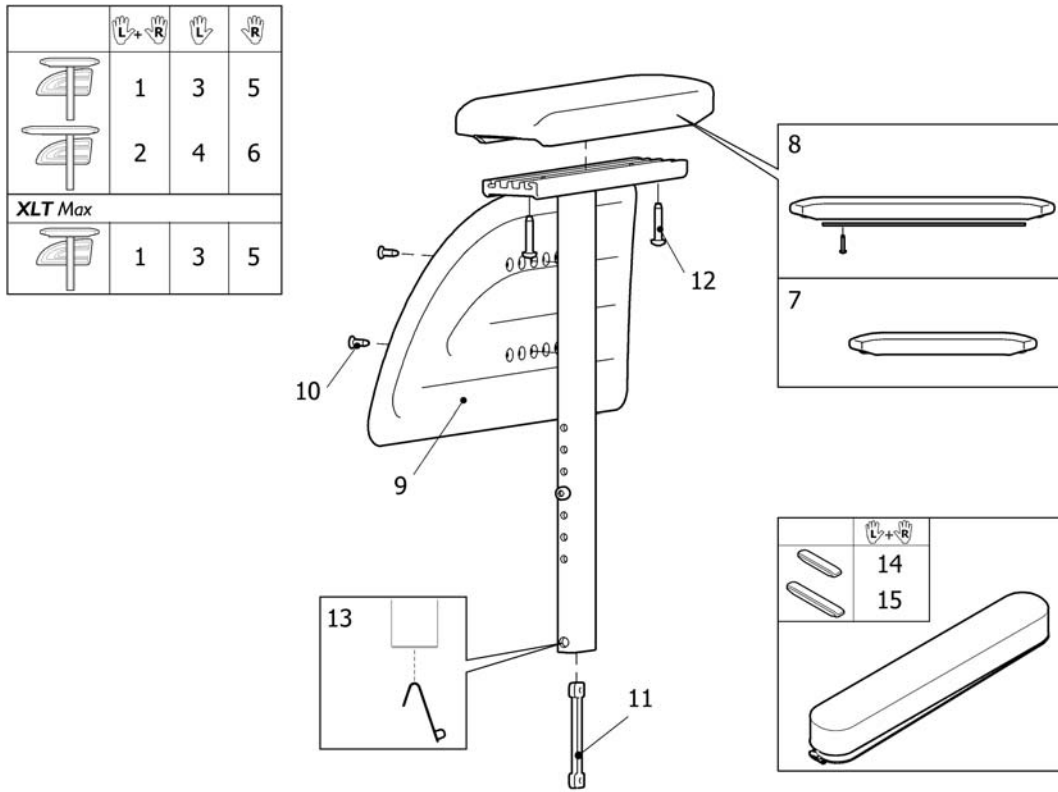
Armrest, Flip-up



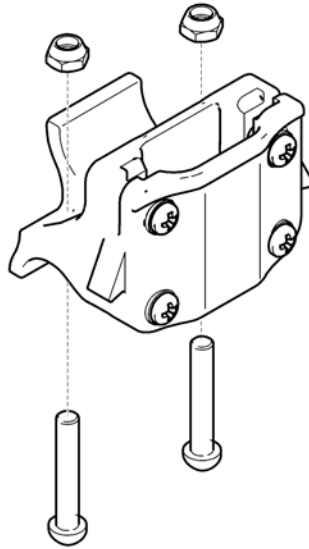
SP1435498

Pos.	Part number	Description	Valid from → until	Qty
1	1435616	ARMREST FLIP-UP, UPPER PART,LE, SHORT PAD		1
2	1435615	ARMREST FLIP-UP, UPPER PART,RI, SHORT PAD		1
3	1435618	ARMREST FLIP-UP, UPPER PART, LE, LONG PAD		1
4	1435617	ARMREST FLIP-UP, UPPER PART, RI, LONG PAD		1
5	1435614	ARMREST, LOWER PART, FLIP-UP, HA, LEFT		1
6	1435613	ARMREST, LOWER PART, FLIP-UP, HA, RIGHT		1
7	5106533	Locking screw M12X10		1
8	1431731	HOOK BRACKET, ARMREST FLIP-UP, HA		1
9	1424569	Screw KT-PT K50X20 Black, WN1412 A2T, combi torx		1
10	1431724	LINK, SIDE SUPPORT, ARMREST FLIP-UP, HA		1
11	1435492	ARMREST ATTACHM. FLIP-UP		1
12	1435493	ATTACHMENT, ARMREST FLIP-UP, REAR, CPL, FOC		1
13	1485272	ATTACHM. ARMREST FLIP-UP REAR, LE, CPL SPIN-X		1
14	1485246	ATTACHM. ARMREST FLIP-UP REAR, RI, CPL SPIN-X		1
15	1512698	ATTACHMENT, ARMREST FLIP-UP, REAR, PAIR		1
16	SP1574539	ARMPAD COVER, SHORT, BLACK PLUSH TR35		1
17	SP1574609	ARMPAD COVER, LONG, BLACK PLUSH TR35		1

Armrest Rio, Height Adj.



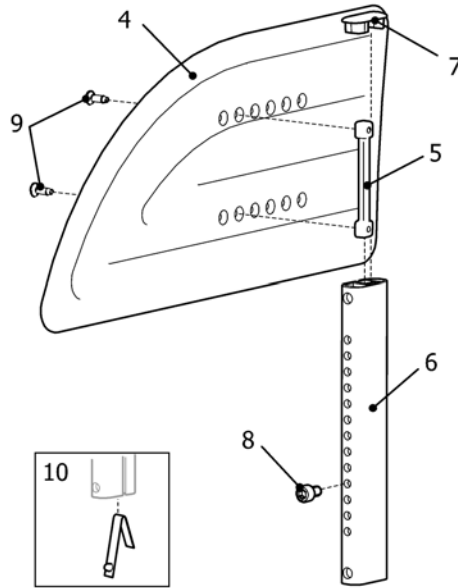
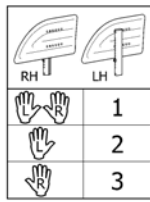
Pos.	Part number	Description	Valid from → until	Qty
1	1435729	Armrest Ha, "Rio", Pair, Short Pad		1
2	1435731	Armrest Ha, "Rio", Pair, Long Pad		1
3	1435461	ARMREST HA, RIO , LEFT, SHORT PAD		1
4	1435487	Armrest Ha, "Rio", Left, Long Pad		1
5	1435460	ARMREST HA, RIO , RIGHT, SHORT PAD		1
6	1435486	Armrest Ha, "Rio", Right, Long Pad		1
7	1434676	Short armpad		1
8	1508064	Armpad Rio, Long, Cpl		1
9	1434725	Skirtguard Rio height adjustable		1
10	5724189	Screw Pt-Fx H K40x14 Zn.PI		1
11	1435388	double-nut		1
12	1440027	Screw K50x25		1
14	SP1574539	ARMPAD COVER, SHORT, BLACK PLUSH TR35		1
15	SP1574609	ARMPAD COVER, LONG, BLACK PLUSH TR35		1
13	1560734	Spring pin locked armrest		1



SPS1434680

Pos.	Part number	Description	Valid from → until	Qty
	1508028	Armrest attachment, SpinX		1

Sideguard

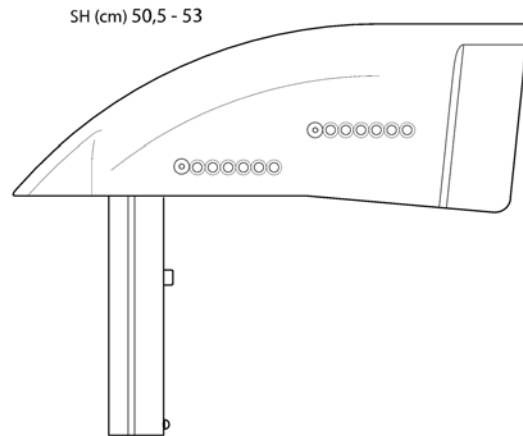
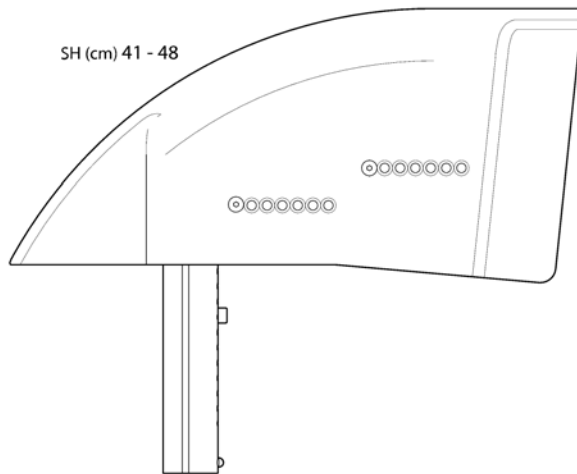


SPS146127

Pos.	Part number	Description	Valid from → until	Qty
1	1514484	SIDE GUARD, PAIR		1
2	1491238	SIDEGUARD, LEFT, CPL		1
3	1491237	SIDEGUARD, RIGHT, CPL		1
4	1434725	Skirtguard Rio height adjustable		1
5	1435388	double-nut		1
6	1484543-0004	SIDEGUARD POLE		1
7	1488504	END PLUG		1
8	5723007	SCREW MC6S M6X10 FZB 8.8 DIN 912		1
9	5724189	Screw Pt-Fx H K40x14 Zn.PI		1
10	1560734	Spring pin locked armrest		1

Mudguard

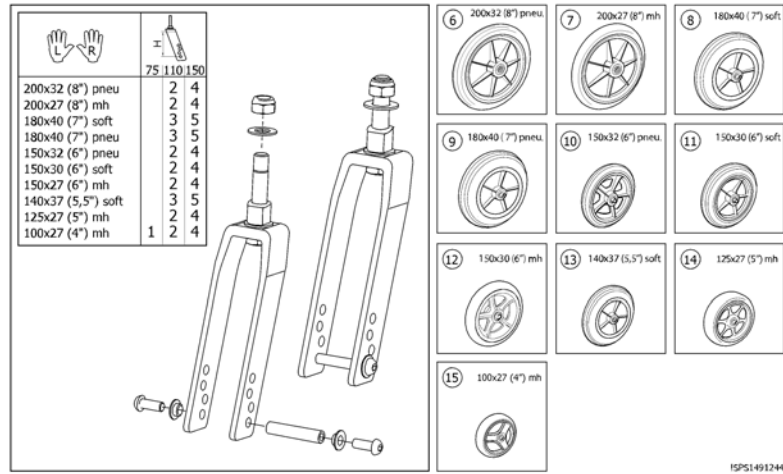
	SH (cm)		
	41 - 48	1	2
	50,5 - 53	3	4



SPS 1484562

Pos.	Part number	Description	Valid from → until	Qty
1	1484563	MUDGUARD, HIGH, LE, CPL		1
2	1484562	MUDGUARD, HIGH, RI, CPL		1
3	1484737	MUDGUARD, LOW, LE, CPL		1
4	1484564	MUDGUARD, LOW, RI, CPL		1

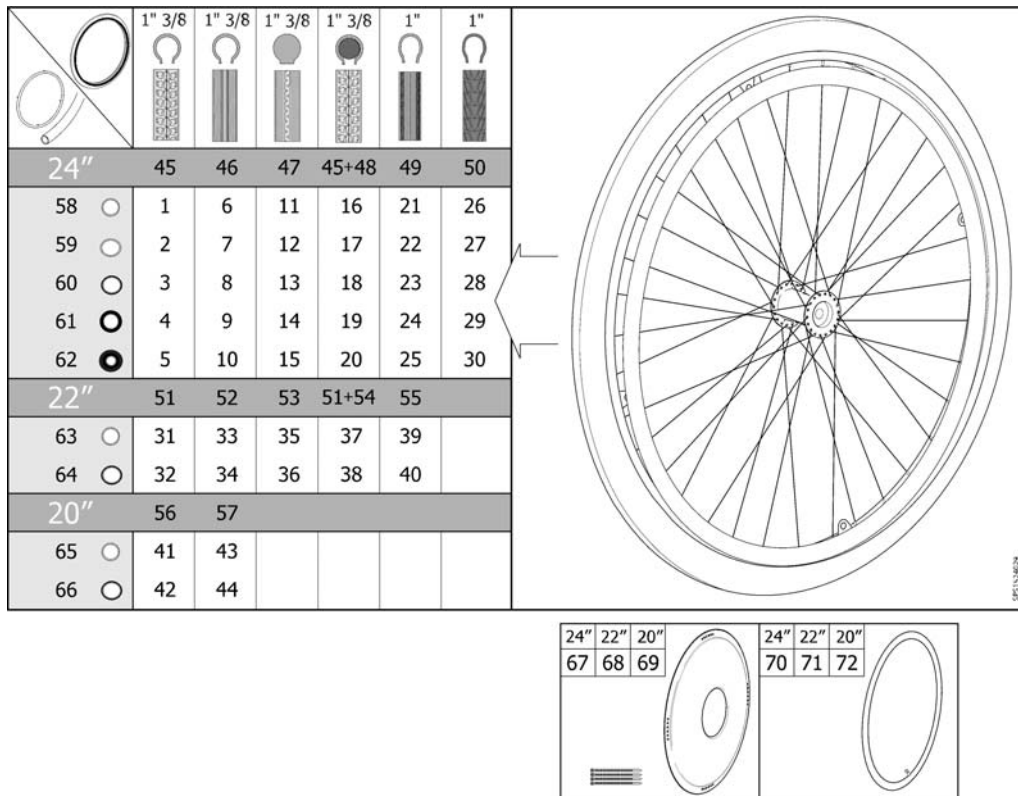
Castor wheels



ISPS1491244

Pos.	Part number	Description	Valid from → until	Qty
1	1493468	FORK 75 N F CPL, SPINX, PAIR		1
2	1493439	FORK 110 F N CPL, SPINX, PAIR		1
3	1493449	FORK 110 W F CPL, SPINX, PAIR		1
4	1493393	FORK 150 N F CPL, SPINX, PAIR		1
5	1493438	FORK 150 W F CPL, SPINX, PAIR		1
6	5322005	CASTOR 200x32 (8") PNEUMATIC		1
7	5322004	200 X 27 Semi Rigid Front Wheel		1
8	5750781	CASTOR 180x40 (7") SOFT		1
9	5750782	CASTOR 180x40 (7") PNEUMATIC		1
10	5322006	CASTOR 150x32 (6") PNEUMATIC		1
11	5750806	CASTOR 150X30 (6") SOFT (S)		1
12	1555797	CASTOR 150x30 (6") MH		1
13	5750734	Wheel Ø140X37 (5.5") soft		1
14	1491228	CASTOR 125X27 (5") MH		1
15	5750890	CASTOR 100X27 MH		1

Wheel 24-22-20"



Pos.	Part number	Description	Valid from → until	Qty
1	1524030	Wheel 24" Pneu. Profiled + Handrim, Alu, Std2010		1
2	1524186	Wheel 24" Pneu. Profiled + Handrim, Plastic Coated, Std2010		1
3	1530764	Wheel 24" Pneu. Profiled + Handrim, Stainless, Std2010		1
4	1531508	Wheel 24" Pneu. Profiled + Handrim, Foam Coated, Std2010		1
5	1531563	Wheel 24" Pneu. Profiled + Handrim, Blackgrip, Std2010		1
6	1524029	Wheel 24" Pneu. Non-Marking + Handrim, Alu, Std2010		1
7	1524163	Wheel 24" Pneu. Non-Marking + Handrim, Plastic Coated, Std2010		1
8	1530763	Wheel 24" Pneu. Non-Marking + Handrim, Stainless, Std2010		1
9	1531462	Wheel 24" Pneu. Non-Marking + Handrim, Foam Coated, Std2010		1
10	1531538	Wheel 24" Pneu. Non-Marking + Handrim, Blackgrip, Std2010		1
11	1524050	Wheel 24" Solid + Handrim, Alu, Std2010		1
12	1524188	Wheel 24" Solid + Handrim, Plastic Coated, Std2010		1
13	1530762	Wheel 24" Solid + Handrim, Stainless, Std2010		1
14	1531531	Wheel 24" Solid + Handrim, Foam Coated, Std2010		1
15	1531564	Wheel 24" Solid + Handrim, Blackgrip, Std2010		1
16	1524150	Wheel 24" Punctureproof + Handrim, Alu, Std2010		1
17	1524189	Wheel 24" Punctureproof + Handrim, Plastic Coated, Std2010		1
18	1531129	Wheel 24" Punctureproof + Handrim, Stainless, Std2010		1
19	1531532	Wheel 24" Punctureproof + Handrim, Foam Coated, Std2010		1
20	1531565	Wheel 24" Punctureproof + Handrim, Blackgrip, Std2010		1
21	1524049	Wheel 24x1" Low Profile + Handrim, Alu., Std2010		1
22	1524187	Wheel 24x1" Low Profile + Handrim, Plastic Coated, Std2010		1
23	1531063	Wheel 24x1" Low Profile + Handrim, Stainless Steel, Std2010		1
24	1531533	Wheel 24x1" Low Profile + Handrim, Foam Coated, Std2010		1
25	1531566	Wheel 24x1" Low Profile + Handrim, Black Grip, Std2010		1
26	1532143	Wheel 24" Black Marathon + Handrim, Alu., Std2010		1
27	1532183	Wheel 24" Black Marathon + Handrim, Plastic Coated, Std2010		1
28	1532144	Wheel 24" Black Marathon + Handrim, Stainless Steel, Std2010		1
29	1532184	Wheel 24" Black Marathon + Handrim, Foam Coated, Std2010		1
30	1532185	Wheel 24" Black Marathon + Handrim, Black Grip, Std2010		1
31	1523949	Wheel 22" Pneu. Profiled + Handrim, Alu, Std2010		1

Wheel 24-22-20"

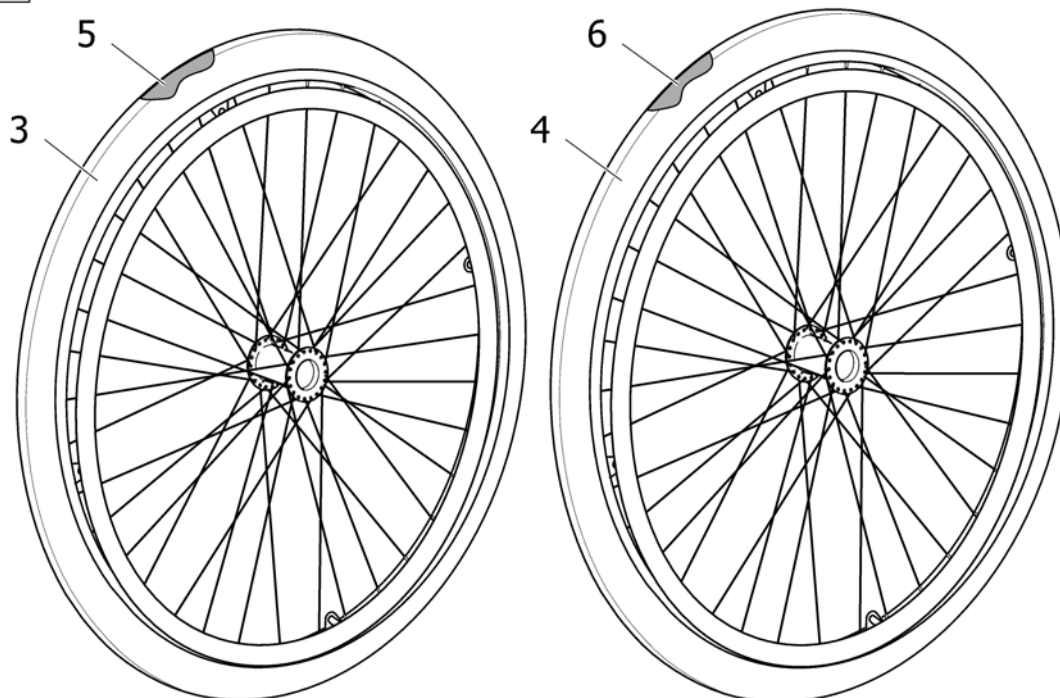
Pos.	Part number	Description	Valid from → until	Qty
32	1524024	Wheel 22" Pneu. Profiled + Handrim, Plastic Coated, Std2010		1
33	1523948	Wheel 22" Pneu. Non-Marking + Handrim, Alu, Std2010		1
34	1524023	Wheel 22" Pneu. Non-Marking + Handrim, Plastic Coated, Std2010		1
35	1524021	Wheel 22" Solid + Handrim, Alu, Std2010		1
36	1524027	Wheel 22" Solid + Handrim, Plastic Coated, Std2010		1
37	1524022	Wheel 22" Punctureproof + Handrim, Alu, Std2010		1
38	1524028	Wheel 22" Punctureproof + Handrim, Plastic Coated, Std2010		1
39	1524020	Wheel 22x1" Low Profile + Handrim, Alu., Std2010		1
40	1524026	Wheel 22x1" Low Profile + Handrim, Plastic Coated, Std2010		1
41	1523944	Wheel 20" Pneu. Profiled + Handrim, Alu, Std2010		1
42	1523945	Wheel 20" Pneu. Profiled + Handrim, Plastic Coated, Std2010		1
43	1523885	Wheel 20" Pneu. Non-Marking + Handrim, Alu, Std2010		1
44	1523902	Wheel 20" Pneu. Non-Marking + Handrim, Plastic Coated, Std2010		1
45	5750019	Tyre 24"x1 3/8", Profiled		1
46	5750014	Tyre 24"x1 3/8" (32-540), Non-Marking		1
47	5750015	Tyre 24"x1 3/8", Solid		1
48	5207046	Tube 24"x1 3/8", Flex		1
49	5750160	Tyre 24"x1" (25-540), Non-Marking		1
50	1512742	Tyre 24"x1" (25-540), Black Marathon		1
51	1531455	Tyre 22"x1 3/8" (37-501) Profiled		1
52	1531456	Pneumatic tyre, 22" x 1", HP, non marking		1
53	5750172	Tyre 22" Solid		1
54	5750732	Tube 22"x1 3/8", Flex		1
55	1531454	Tyre 22"x1" (25-501) Low Profile		1
56	5750017	Tyre 20"x1 3/8", Profiled		1
57	5750012	Tyre 20"x1 3/8", Non-Marking		1
58	1531577	Handrim Aluminium Cpl, 24" Wheel, Std2010		1
59	1531578	Handrim Plastic Cpl, 24" Wheel, Std2010		1
60	1531305	Handrim Stainless Cpl, 24" Wheel, Std2010		1
61	1531459	Handrim Foam Coated Cpl, 24" Wheel, Std2010		1
62	1531460	Handrim Black Grip Cpl, 24" Wheel, Std2010		1
63	1531579	Handrim Aluminium Cpl, 22" Wheel, Std2010		1
64	1531580	Handrim Plastic Cpl, 22" Wheel, Std2010		1
65	1530271	Handrim Aluminium Cpl, 20" Wheel, Std2010		1
66	1530272	Handrim Plastic Cpl, 20" Wheel, Std2010		1
67	5102807	Spoke Protection 24" Frosted Cpl		1
68	5102800	Spoke Protection 22" Frosted Cpl		1
69	5102795	Spoke Protection 20" Frosted Cpl		1
70	5750036	Tube 24"x1 3/8"		1
70	5750161	Tube 24"x1" (25-540)		1
71	5750035	Tube 22"x1 3/8"		1
72	5750034	Tube 20"x1 3/8"		1

Handrim Stainless Cpl, 24" Wheel, Std2010

Pos.	Part number	Description	Valid from → until	Qty
3854	1528924	SKRUV MRX M5X40 FZB, KLASS 4.8 PHIL, DIN 7985		4
3854	1529757	DRIVRING 24" ROSTFRI		1
3854	1531457	DISTANS DRIVRING L=22MM		4
3854	1531458	DISTANS DRIVRING L=5MM		4

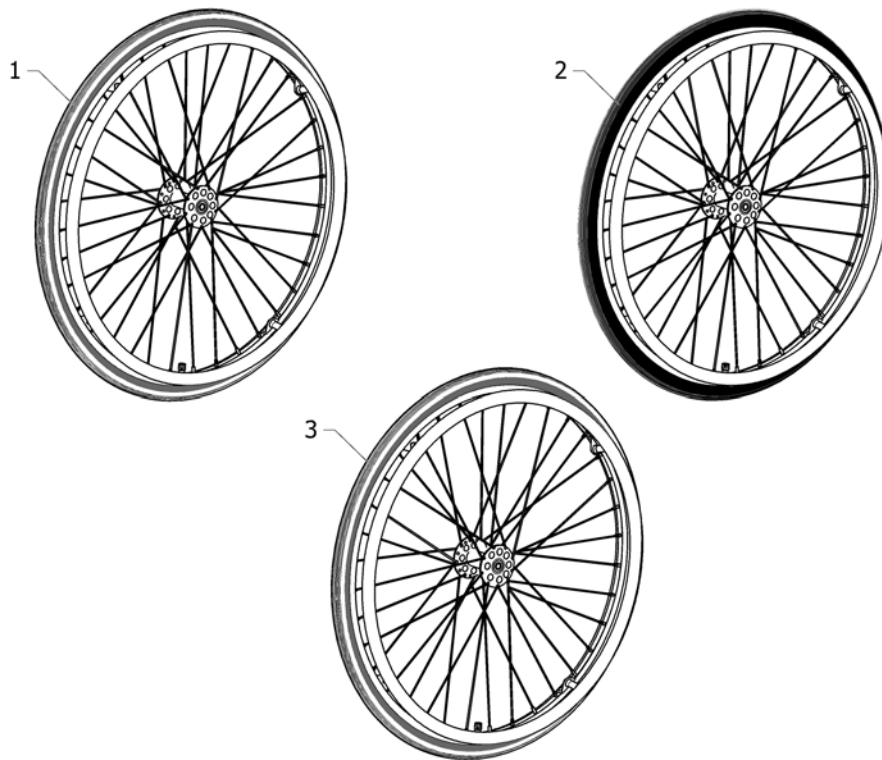
Wheel 26-25"

25"	1
26"	2



Pos.	Part number	Description	Valid from → until	Qty
1	1508583	25 INCH LOW PROFILE ALU		1
2	1508584	26 INCH LOW PROFILE ALU		1
3	1517344	TYRE 25X1" LOW PROFILE (25-559)		1
4	1517345	TYRE 26X1" LOW PROFILE (25-590)		1
5	1517346	TUBE 25X1" CAR VALVE (25-559)		1
6	1517359	TUBE 26X1" CAR VALVE (25-590)		1

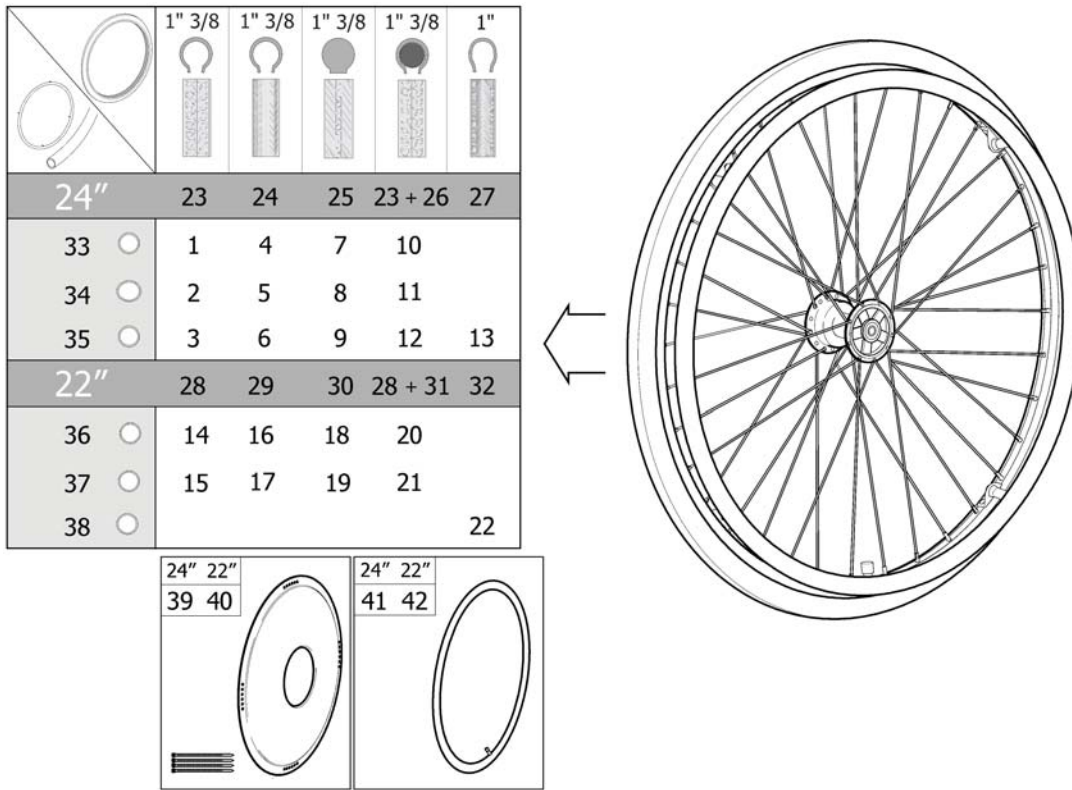
Wheel 24" SPORTY



SPX-48324

Pos.	Part number	Description	Valid from → until	Qty
1	1483924	Wheel 24" Sporty + Handrim, Alu.		1
2	1532186	Wheel 24" Sporty, Black Marathon + Handrim, Alu.		1
3	1561767	Wheel 24" Sporty + Handrim, stainless		1

Wheel 24-22" DB



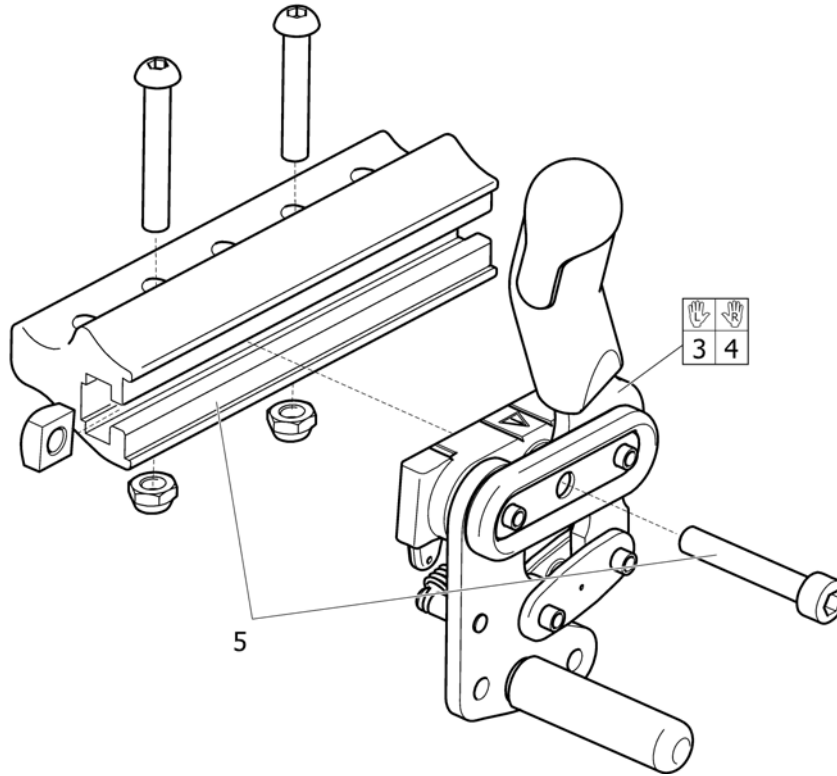
981534416

Pos.	Part number	Description	Valid from → until	Qty
1	1524437	Wheel 24" Db Pneu. Profiled + Handrim, Alu, Std2010		1
2	1524514	Wheel 24" Db Pneu. Profiled + Handrim, Plastic Coated, Std2010		1
3	1531080	Wheel 24" Db Pneu. Profiled + Handrim, Stainless, Std2010		1
4	1524436	Wheel 24" Db Pneu. Non-Marking + Handrim, Alu, Std2010		1
5	1524513	Wheel 24" Db Pneu. Non-Marking + Handrim, Plastic Coated, Std2010		1
6	1531064	Wheel 24" Db Pneu. Non-Marking + Handrim, Stainless, Std2010		1
7	1524447	Wheel 24" Db Solid + Handrim, Alu, Std2010		1
8	1524515	Wheel 24" Db Solid + Handrim, Plastic Coated, Std2010		1
9	1531127	Wheel 24" Db Solid + Handrim, Stainless, Std2010		1
10	1524512	Wheel 24" Db Punctureproof + Handrim, Alu, Std2010		1
11	1524516	Wheel 24" Db Punctureproof + Handrim, Plastic Coated, Std2010		1
12	1531128	Wheel 24" Db Punctureproof + Handrim, Stainless, Std2010		1
13	1536613	Wheel 24x1" Db Low Profile + Handrim, Stainless, Std2010		1
14	1524290	Wheel 22" Db Pneu. Profiled + Handrim, Alu, Std2010		1
15	1524361	Wheel 22" Db Pneu. Profiled + Handrim, Plastic Coated, Std2010		1
16	1524289	Wheel 22" Db Pneu. Non-Marking + Handrim, Alu, Std2010		1
17	1524337	Wheel 22" Db Pneu. Non-Marking + Handrim, Plastic Coated, Std2010		1
18	1524291	Wheel 22" Db Solid + Handrim, Alu, Std2010		1
19	1524388	Wheel 22" Db Solid + Handrim, Plastic Coated, Std2010		1
20	1524292	Wheel 22" Db Punctureproof + Handrim, Alu, Std2010		1
21	1524435	Wheel 22" Db Punctureproof + Handrim, Plastic Coated, Std2010		1
22	1536612	Wheel 22x1" Db Low Profile + Handrim, Stainless, Std2010		1
23	5750019	Tyre 24"x1 3/8", Profiled		1
24	5750014	Tyre 24"x1 3/8" (32-540), Non-Marking		1
25	5750015	Tyre 24"x1 3/8", Solid		1
26	5207046	Tube 24"x1 3/8", Flex		1
27	5750160	Tyre 24"x1" (25-540), Non-Marking		1
28	1531455	Tyre 22"x1 3/8" (37-501) Profiled		1
29	1531456	Pneumatic tyre, 22" x 1", HP, non marking		1
30	5750172	Tyre 22" Solid		1
31	5750732	Tube 22"x1 3/8", Flex		1

Wheel 24-22" DB

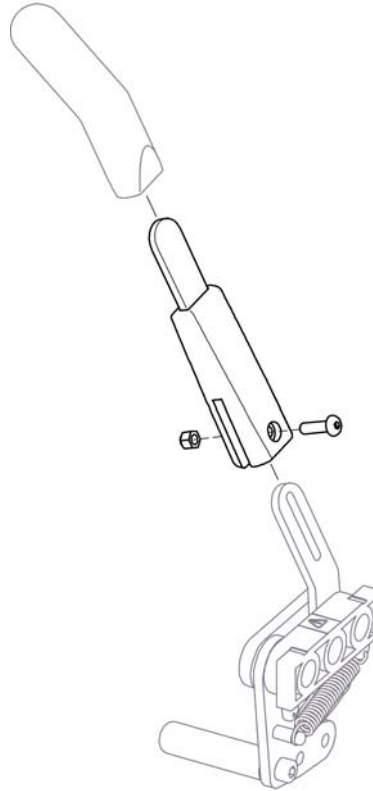
Pos.	Part number	Description	Valid from → until	Qty
32	1531454	Tyre 22"x1" (25-501) Low Profile		1
33	1531577	Handrim Aluminium Cpl, 24" Wheel, Std2010		1
34	1531578	Handrim Plastic Cpl, 24" Wheel, Std2010		1
35	1531305	Handrim Stainless Cpl, 24" Wheel, Std2010		1
36	1531579	Handrim Aluminium Cpl, 22" Wheel, Std2010		1
37	1531580	Handrim Plastic Cpl, 22" Wheel, Std2010		1
38	1536546	Handrim, Stainless Cpl, 22" Wheel, Std2010		1
39	5102807	Spoke Protection 24" Frosted Cpl		1
40	5102800	Spoke Protection 22" Frosted Cpl		1
41	5750036	Tube 24"x1 3/8"		1
42	5750035	Tube 22"x1 3/8"		1

Brake



Pos.	Part number	Description	Valid from → until	Qty
1	1542407	Brake Cpl., Le, Incl attachment		1
2	1542408	Brake Cpl., Ri, Incl attachment		1
3	1415485	BRAKE-MALTA CPL LE		1
4	1415486	BRAKE-MALTA CPL RI		1
5	1492299	ATTACHMENT, BRAKE, CPL.		1

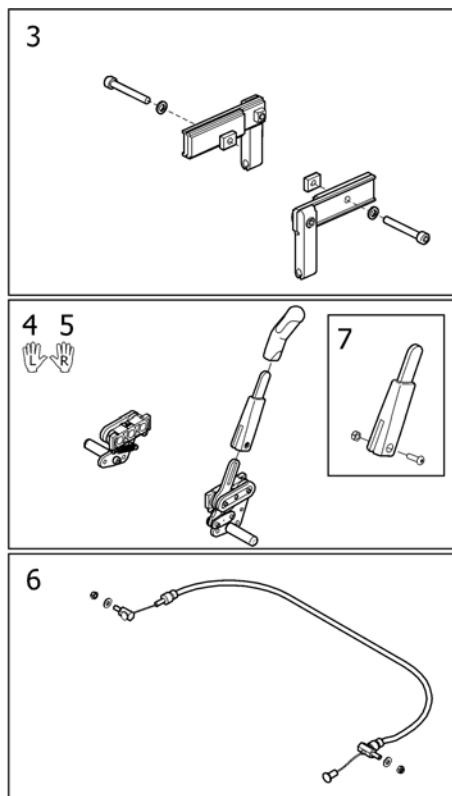
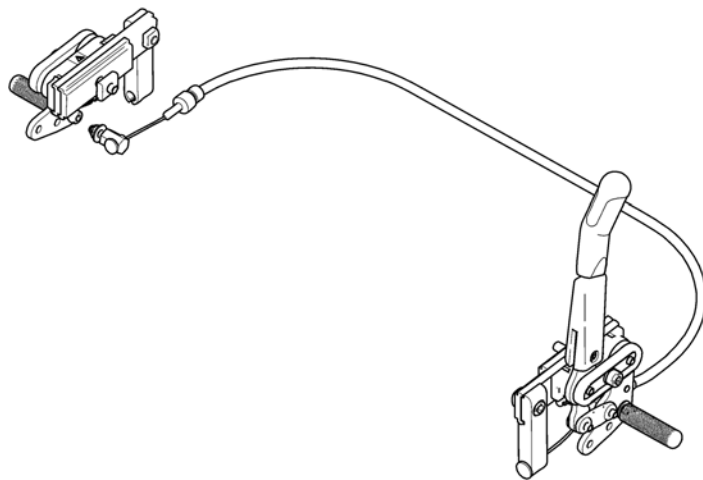
Brake extender



Pos.	Part number	Description	Valid from → until	Qty
	5203340	Brake arm extension, cpl.		1

One arm brake

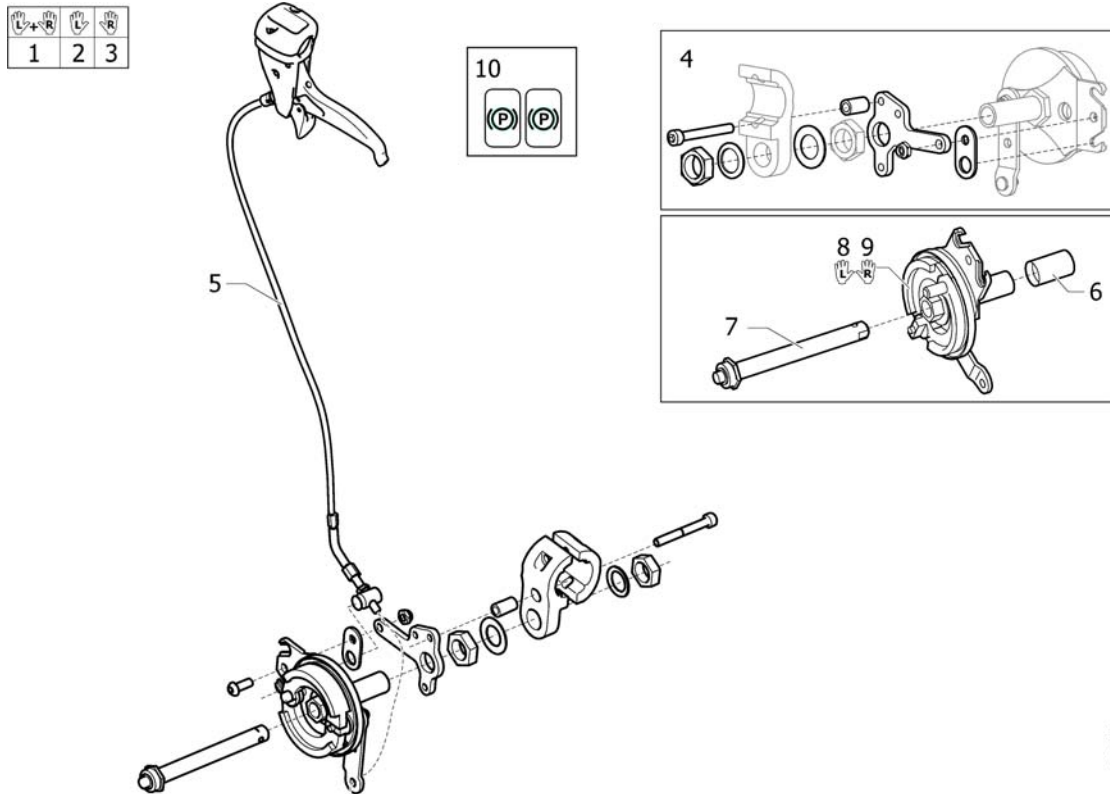
1 2
L R



5251492000

Pos.	Part number	Description	Valid from → until	Qty
1	1492107	ONE ARM BRAKE CPL LE.		1
2	1492000	ONE ARM BRAKE CPL RI.		1
3	1514787	ATTACHMENT PAIR ONE ARM BRAKE, SPIREA/SPIN-X		1
4	1518563	One arm brake, left		1
5	1518564	One arm brake, right		1
6	1514742	WIRE CONTROL ONE ARM BRAKE		1
7	5203340	Brake arm extension, cpl.		1

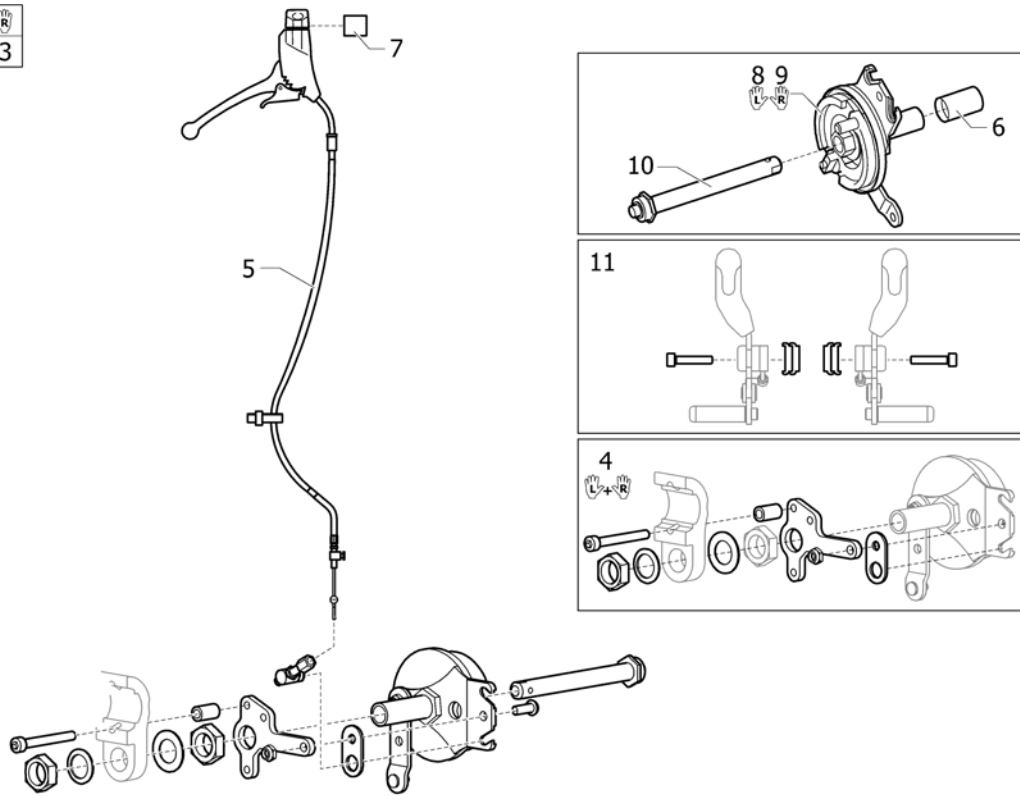
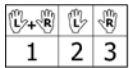
Drumbrake, assistant manoeuvred SpinX



SFS153466

Pos.	Part number	Description	Valid from → until	Qty
1	1536464	BRAKE KIT 24" DB CPL, PAIR		1
2	1536465	BRAKE KIT 24" DB LEFT, CPL		1
3	1536466	BRAKE KIT 24" DB RIGHT, CPL		1
4	1507940	Kit, attachm. DB SpinX, Aktiv		1
5	1536721	KIT, WIRE, DB, L=830		1
6	5100925	PROTECTION CAP		1
7	5750192	Axle, Drumbrake		1
8	1536252	DRUMBRAKE UNIT, RIGHT, MBL		1
9	1536253	DRUMBRAKE UNIT, LEFT, MBL		1
10	1536764	DECAL, CABLE ASSEMBLY, BRAKE		1

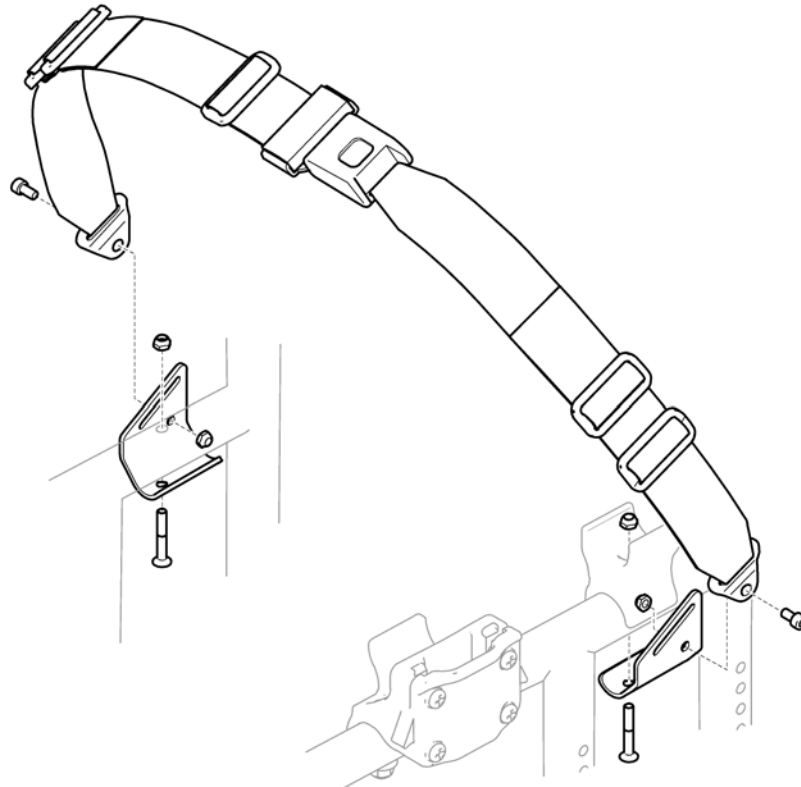
Drumbrake assistant manoeuvred (=> 2010.11)



Pos.	Part number	Description	Valid from → until	Qty
1	1485421	DRUMBRAKE KIT, CPL, PAIR		1
2	1488856	DRUMBRAKE KIT, CPL, LE		1
3	1488855	DRUMBRAKE KIT, CPL, RI		1
4	1507940	Kit, attachm. DB SpinX, Aktiv		1
5	1497616	Kit, Wire, Db, L=780		1
6	5100925	PROTECTION CAP		1
7	5221363	Fixed Backrest Hub Brake Adaptation		1
8	5750199	Drumbrake Unit, Lh		1
9	5750705	Drumbrake Unit, Rh		1
10	5750192	Axle, Drumbrake		1
11	1517109	KIT, SPACERS, BRAKE, 10 MM, PAIR		1

Pelvic belt, SpinX

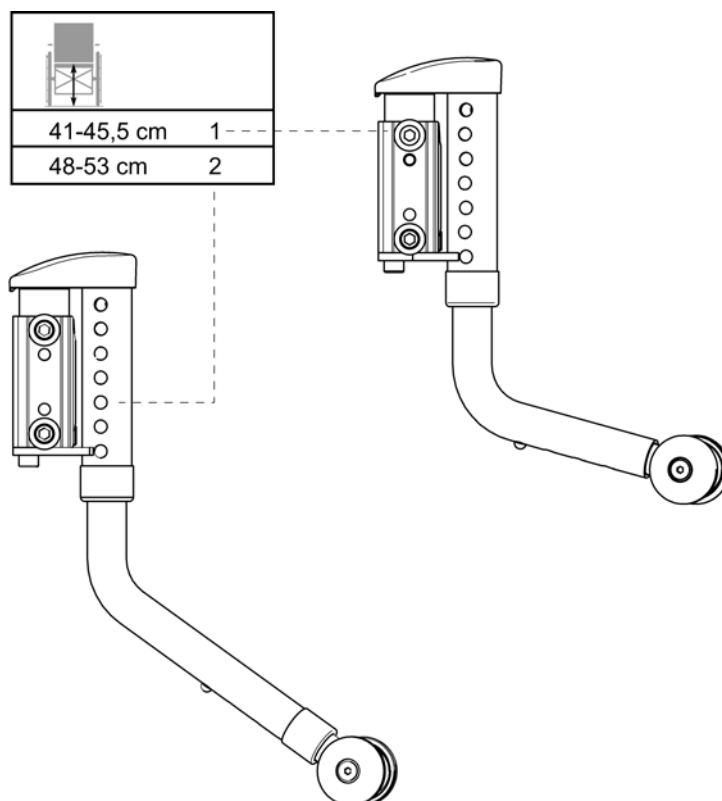
1



07150001



Pos.	Part number	Description	Valid from → until	Qty
1	1543662	PELVIC BELT INCL. ATTACHMENTS		1

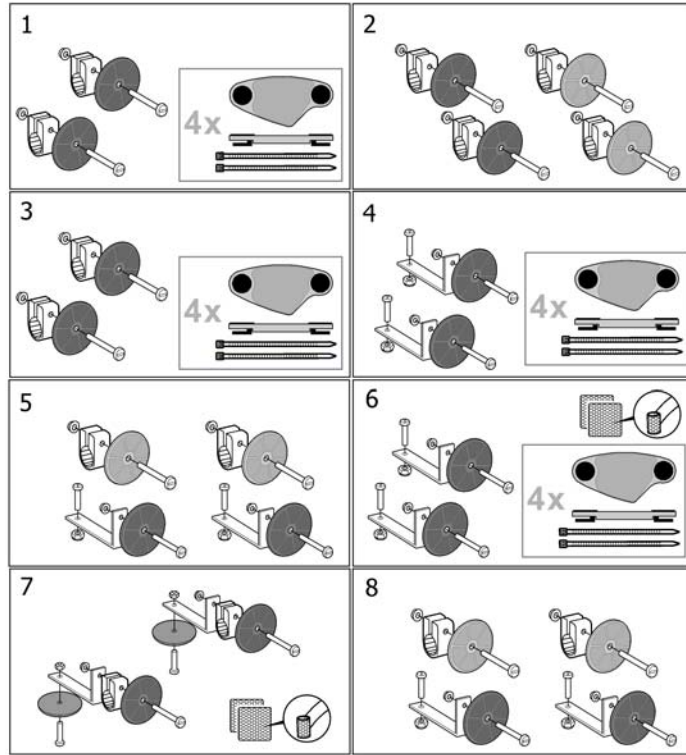
Anti-tip device



Pos.	Part number	Description	Valid from → until	Qty
1	1483884	ANTI-TIP DEVICE LOW, CPL RIGHT		1
1	1483885	ANTI-TIP DEVICE LOW, CPL LEFT		1
2	1483998	ANTI-TIP DEVICE HI, CPL RIGHT		1
2	1483999	ANTI-TIP DEVICE HI, CPL LEFT		1

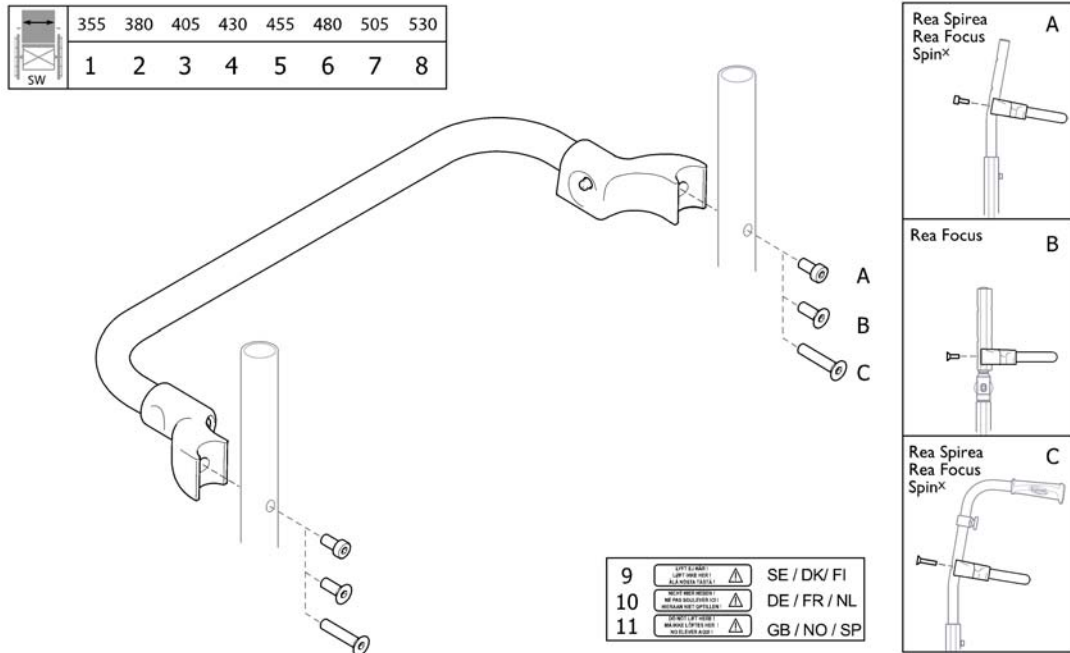
Reflector

		
	20-26"	16"
Azalea	1	2
Bellis	3	3
Clematis	1	-
Focus	4	8
Spin ^x	1	-
Spirea ² , Spirea ³ , Spirea ^{4NG}	4	5
Wheeler	6	7
XLT, XLT Max	3	-



Pos.	Part number	Description	Valid from → until	Qty
1	SP5206655	Reflector kit 20-24"		1
2	SP5254249	Reflector kit 16"		1
3	5206640	Reflector Kit 3		1
4	5104965	Reflector Kit 5		1
5	1435760	Reflector Kit 6		1
6	5108147	Reflector Kit 7		1
7	5108024	Reflector Kit 8		1
8	1546559	Reflector Kit 9		1

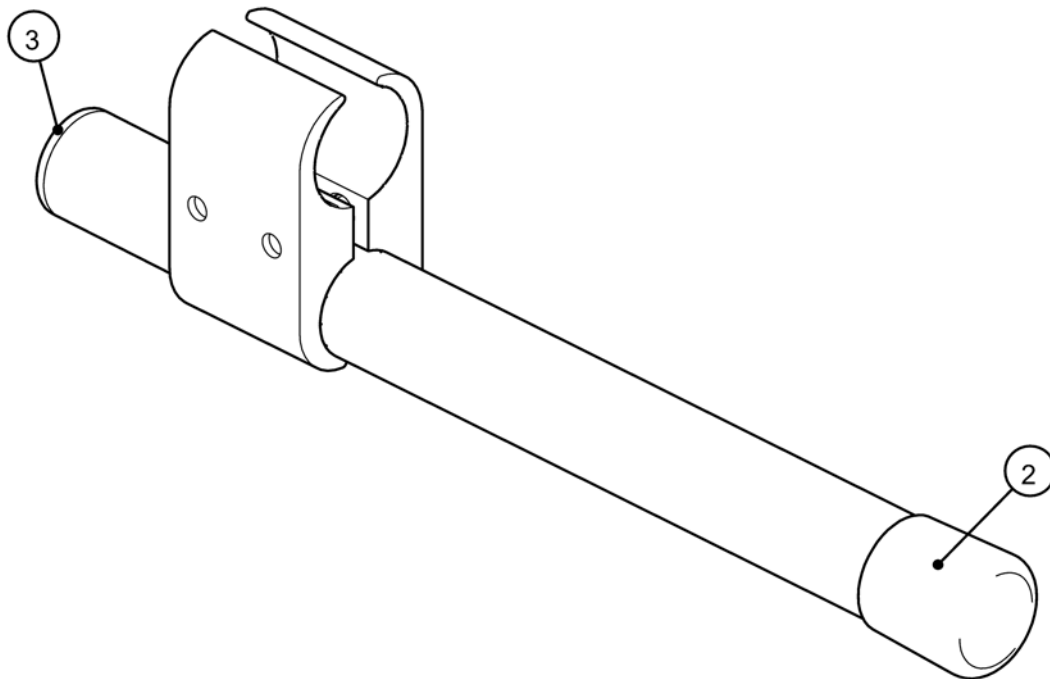
Backrest stay



Pos.	Part number	Description	Valid from → until	Qty
1	5106188-C9005	Backrest Stay 35.5 Cpl.		1
2	5106399-C9005	Backrest Stay 38 Cpl.		1
3	5221696-C9005	Backrest Stay 40.5 Cpl.		1
4	5106331-C9005	Backrest Stay 43 Cpl.		1
5	5106190-C9005	Backrest Stay 45.5 Cpl.		1
6	1435484-9005	Backrest Stay 48 Cpl.		1
7	5106191-C9005	Backrest Stay 50.5 Cpl.		1
8	1435490-9005	Backrest Stay 53 Cpl		1
9	5106299	Sticker Warning (Se/Dk/Fi)		1
10	5106300	Sticker Warning (De/Fr/Nl)		1
11	5106301	Sticker Warning (Gb/No/Sp)		1

Step tube

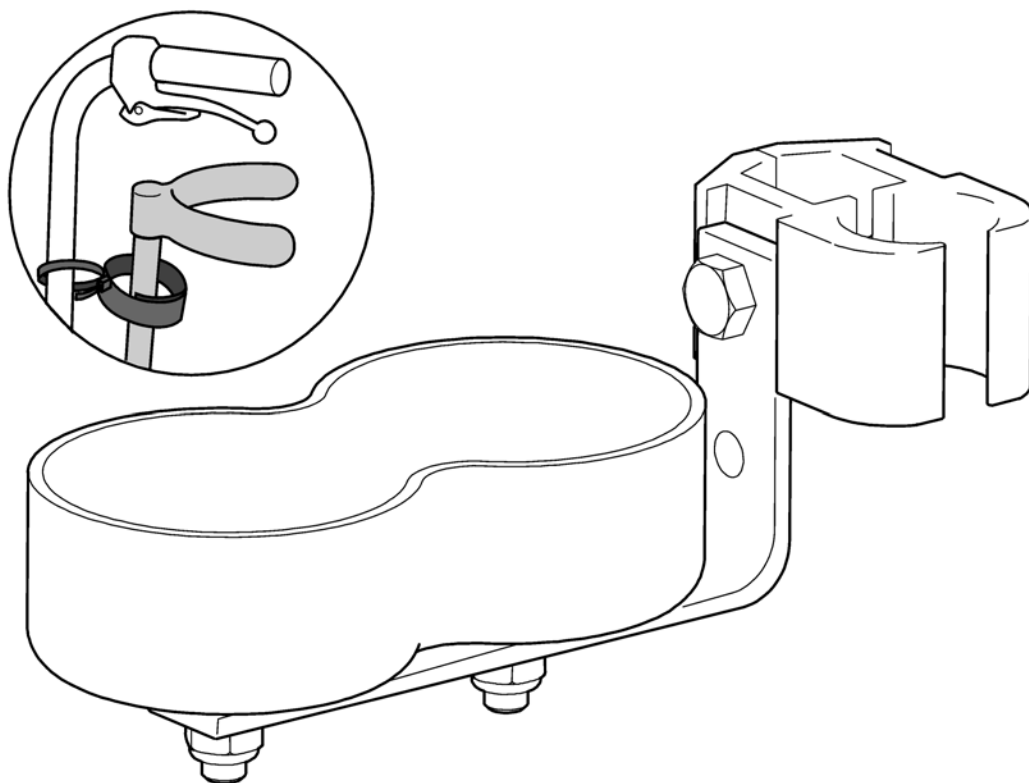
1



Pos.	Part number	Description	Valid from → until	Qty
1	1493346	STEPTUBE STRAIGHT CPL		1
2	5716299	PLASTIC CAP K 22 BLACK		1
3	5716296	Plug Ø22x19.5, plastic black		1

Crutch holder

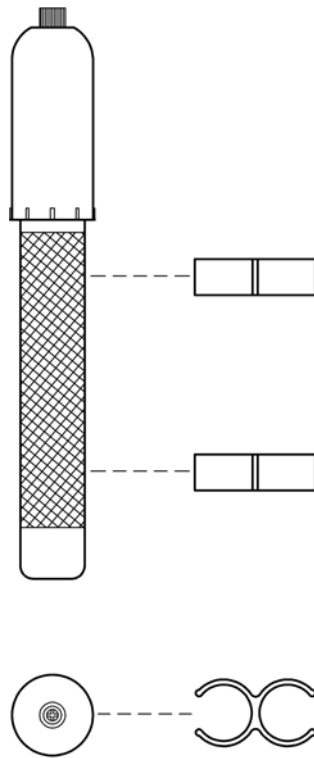
1



SPS5106390

Pos.	Part number	Description	Valid from → until	Qty
	5106390	CRUTCH HOLDER		1

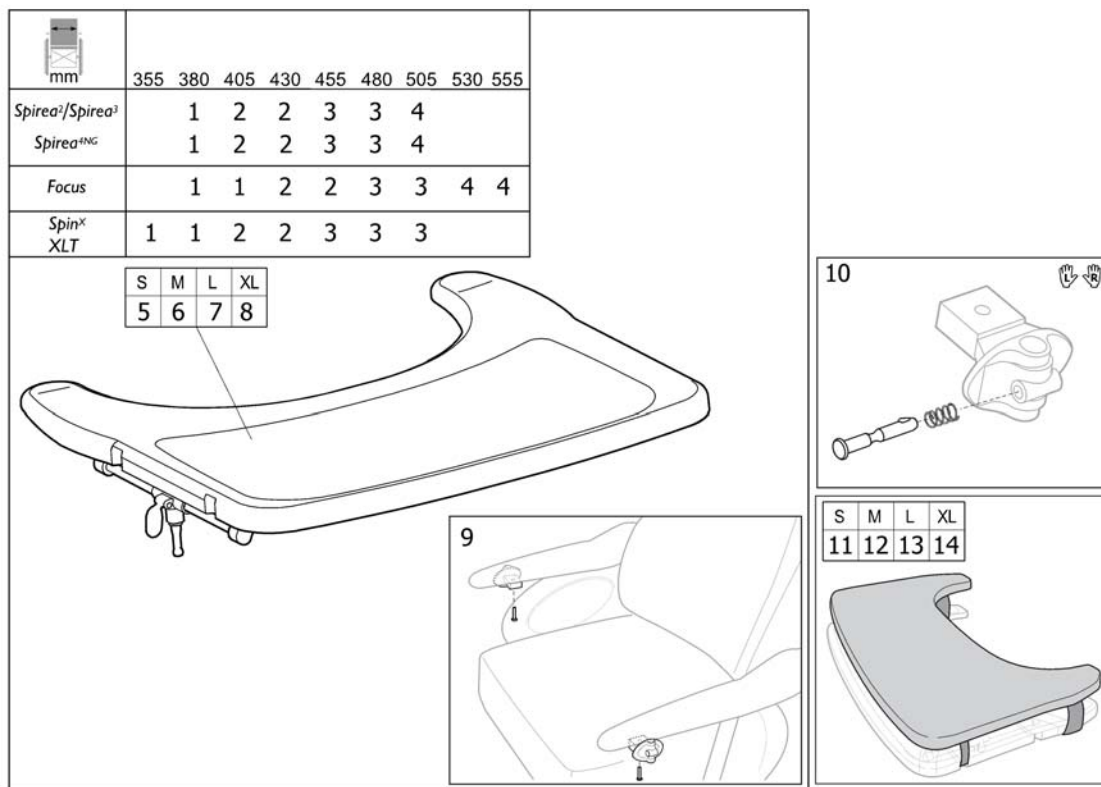
Pump



SPS575072€

Pos.	Part number	Description	Valid from → until	Qty
	5750729	Pump Cpl.		1

Table tray



Pos.	Part number	Description	Valid from → until	Qty
1	SP1570747	TABLE TRAY SMALL INCL. MOUNTING KIT		1
2	SP1570748	Table tray MEDIUM incl. mounting kit		1
3	SP1570749	Table tray LARGE incl. mounting kit		1
4	SP1570775	Table tray X-LARGE incl. mounting kit		1
5	SP1567517	TABLE TRAY SMALL		1
6	SP1567518	Table tray Medium		1
7	SP1567519	Table tray Large		1
8	SP1568862	Table tray X-Large		1
9	SP1570745	Mounting Kit for table (pair)		1
10	SP1572460	Locking device for comfort tray (pair)		1
11	SP1570746	TABLE CUSHION, SMALL		1
12	SP1571269	TABLE CUSHION, MEDIUM		1
13	SP1571270	TABLE CUSHION, LARGE		1
14	SP1571271	TABLE CUSHION, X-LARGE		1



Yes, you can.®



Belgium & Luxemburg:

Invacare nv, Autobaan 22, B-8210 Loppem
Tel: (32) (0)50 83 10 10, Fax: (32) (0)50 83 10 11
belgium@invacare.com / www.invacare.be

Denmark:

Invacare A/S, Sdr. Ringvej 37, DK-2605 Brøndby
Tel: (45) (0)36 90 00 00, Fax: (45) (0)36 90 00 01
denmark@invacare.com / www.invacare.dk

Deutschland:

Invacare Aquatec GmbH, Alemannenstraße 10, D-88316 Isny
Tel: (49) (0)75 62 7 00 0, Fax: (49) (0)75 62 7 00 66
info@invacare-aquatec.com / www.invacare-aquatec.de

European Distributor Organisation:

Invacare, Kleiststraße 49, D-32457 Porta Westfalica
Tel: (49) (0)57 31 754 540, Fax: (49) (0)57 31 754 541
edo@invacare.com / www.invacare.eu.com

España:

Invacare SA, c/Areny s/n, Polígon Industrial de Celrà, E-17460 Celrà (Girona)
Tel: (34) (0)972 49 32 00, Fax: (34) (0)972 49 32 20
contactsp@invacare.com / www.invacare.es

France:

Invacare Poirier SAS, Route de St Roch, F-37230 Fondettes
Tel: (33) (0)2 47 62 64 66, Fax: (33) (0)2 47 42 12 24
contactfr@invacare.com / www.invacare.fr

Ireland:

Invacare Ireland Ltd, Unit 5 Seatown Business Campus, Seatown Road, Swords, County Dublin - Ireland
Tel: (353) 1 810 7084, Fax: (353) 1 810 7085
ireland@invacare.com / www.invacare.ie

Italia:

Invacare Mecc San s.r.l., Via dei Pini 62, I-36016 Thiene (VI)
Tel: (39) 0445 38 00 59, Fax: (39) 0445 38 00 34
italia@invacare.com / www.invacare.it

Nederland:

Invacare BV, Celsiusstraat 46, NL-6716 BZ Ede
Tel: (31) (0)318 695 757, Fax: (31) (0)318 695 758
nederland@invacare.com, csede@invacare.com / www.invacare.nl

Norge:

Invacare AS, Grensesvingen 9, Postboks 6230, Etterstad, N-0603 Oslo
Tel: (47) (0)22 57 95 00, Fax: (47) (0)22 57 95 01
norway@invacare.com, island@invacare.com / www.invacare.no

Österreich:

Invacare Austria GmbH, Herzog Odilostrasse 101, A-5310 Mondsee
Tel: (43) 6232 5535 0, Fax: (43) 6232 5535 4
info-austria@invacare.com / www.invacare.at

Portugal:

Invacare Lda, Rua Estrada Velha, 949, P-4465-784 Leça do Balio
Tel: (351) (0)225 1059 46/47, Fax: (351) (0)225 1057 39
portugal@invacare.com / www.invacare.pt

Sverige & Suomi:

Invacare AB, Fagerstagatan 9, S-163 91 Spånå
Tel: (46) (0)8 761 70 90, Fax: (46) (0)8 761 81 08
sweden@invacare.com, finland@invacare.com / www.invacare.se

Switzerland:

Invacare AG, Benkenstrasse 260, CH-4108 Witterswil
Tel: (41) (0)61 487 70 80, Fax: (41) (0)61 487 70 81
switzerland@invacare.com / www.invacare.ch

United Kingdom:

Invacare Limited, Pencoed Technology Park, Pencoed, Bridgend CF35 5AQ
Switchboard Tel: (44) (0)1656 776200, Fax: (44) (0)1656 776201
Customer services Tel: (44) (0)1656 776222, Fax: (44) (0)1656 776220
uk@invacare.com / www.invacare.co.uk