

Spare Parts Catalogue

Version: 2015/08/27a EN



küschall® K-Series



Yes, you can.®

General Information

For any order of spare parts the following information is required:

- Product type*
- Product name & model*
- Serial Number*
- Part-Number*
- Part-Description*

Exploded view drawings and code numbers are not contractual and subject to modification, in relation to Invacare® continuous product improvement policy to meet end users needs.

The reproduction or use of this work, or of any substantial part of this work, in any form or by any electronic, mechanical or other means, including photocopying, scanning and recording, and in any information storage and retrieval system, including electronic transmission, is forbidden without the prior written permission of Invacare® International Sarl.



Yes, you can.®

TABLE OF CONTENTS

INFORMATION

Frame colour	5
CPS colours	6

CHASSIS

CHASSIS	7
Frame Aluminium	8
Frame Carbon	11
Frame Titanium	12
Axle tube Aluminium	13
Axle tube Carbon	15
Vario-Ax	17
Axle holder	18
Rear wheel extension standard	19
Rear wheel extension for Vario-Ax	20

SEAT

SEAT	21
Seat module	22
Seat frame, cover standard	23
Seat frame, cover tension adjustable	26
Seat cushion standard	29
Seat cushion Alcantara	31

BACKREST

BACKREST	32
Backrest	33
Bands to adjustable backrest	35
Cover to adjustable backrest	36
Push handles, height adjustable, rear set	38

FOOTREST

FOOTREST	39
Footrest standard	40
Footrest angle adjustable	43
Footrest flip-to-side 01.08.2007=>	44
Footrest set high mounted	45
Calf strap	46

SIDERESTS

SIDERESTS	47
Clothes-guards	48
Mudguards 01.11.2008=>	49
Siderest height adjustable 01.04.2008=>	50
Tubular armrest	51

FRONT WHEELS

FRONT WHEELS	52
--------------------	----



Yes, you can.®

TABLE OF CONTENTS

Front forks standard	53
Configuration table for front fork size	55
Front wheels	56

REAR WHEELS

REAR WHEELS	58
24" KÜSCHALL rear wheels complete	59
26" KÜSCHALL rear wheels complete	61
High Performance wheel	63
Mountainbike wheel	65
Spinergy wheel	66
Spider wheel	67
Handrim	68
Fixation handrim	70
Tyre	71
Inner tube and rim protector	72
Spokes guard	73
Quick release axle and bearing	74

BRAKES

BRAKES	75
Brakes 15.02.2008=>	76


SEAT ACCESSORIES

SEAT ACCESSORIES	78
Suspension	79

OPTIONS & ACCESSORIES

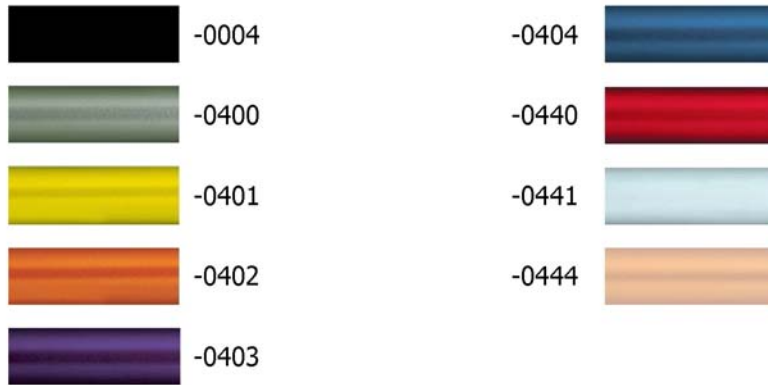
OPTIONS & ACCESSORIES	80
Antitipper	81
Active Antitipper	82
Transit wheel	83
Chair accessories	84
Winter accessories	85
Fixation: screws,	86
Socket head cap screws	87
Countersunk screws	90
Button head screws	92
Hex-head screws, diverse,	94
Washers	96
Nuts	98
Pins, rivets,	100

Frame colour

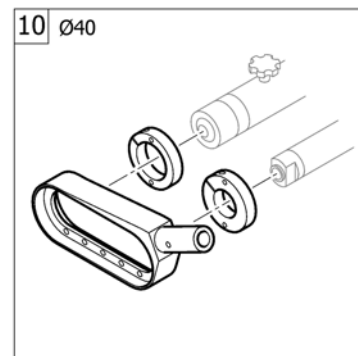
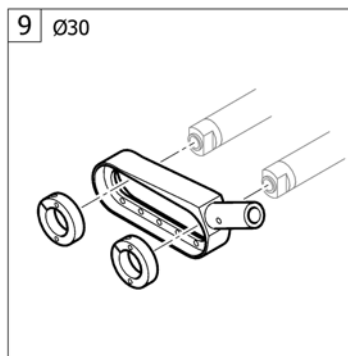
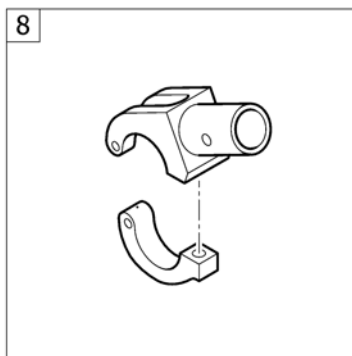
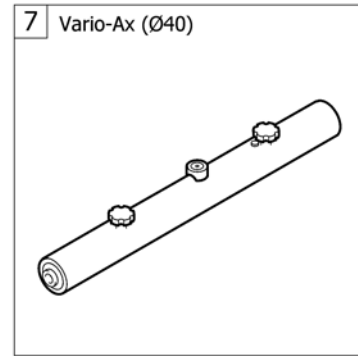
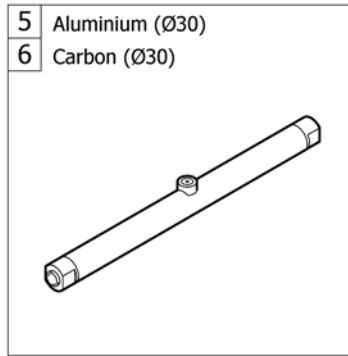
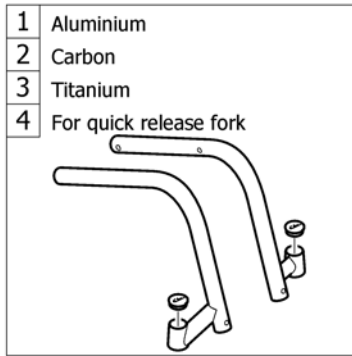
	-0410		-0446
	-0411		-0447
	-0419		-0448
	-0424		-0449
	-0425		-0450
	-0427		-3524
	-0442		-5969
	-0443		-9005
	-0445		-9119

Pos.	Part number	Description	Valid from → until	Qty
-0410	-	Color code for polished frames	2005-09-01 →	0
-0411	-	Color code for black matt frames	2010-07-01 →	0
-0419	-	Color code for silver grey frames	2005-09-01 →	0
-0442	-	Color code for night shimmer frames	2009-01-01 →	0
-0445	-	Color code for ivory white frames	2009-01-01 →	0
-0446	-	Color code for purple fire frames	2010-01-01 →	0
-0447	-	Color code for emerald green frames	2010-01-01 →	0
-0448	-	Color code for midnight blue frames	2010-01-01 →	0
-0449	-	Color code for umber glaze frames	2010-01-01 →	0
-0450	-	Color code for smokey grey frames	2010-01-01 →	0
-3524	-	Color code for royal red frames	2005-09-01 →	0
-5969	-	Color code for royal blue frames	2005-09-01 →	0
-9005	-	Color code for glossy black frames	2005-09-01 →	0

CPS colours

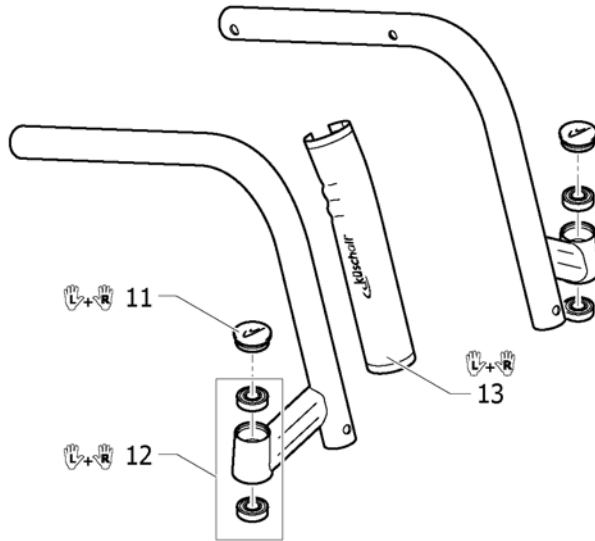


Pos.	Part number	Description	Valid from → until	Qty
-0004	-	Color code for black anodized CPS	2005-09-01 →	0
-0400	-	Color code for techno-anthrazit CPS	2005-09-01 →	0
-0401	-	Color code for lemon CPS	2005-09-01 →	0
-0402	-	Color code for apricot CPS	2005-09-01 →	0
-0404	-	Color code for b-blue CPS	2005-09-01 →	0
-0440	-	Color code for comet red CPS	2007-01-01 →	0
-0441	-	Color code for arctic blue CPS	2010-01-01 →	0
-0444	-	Color code for copper glaze CPS	2009-01-01 →	0

CHASSIS

Pos.	Part number	Description	Valid from → until	Qty
1	-	Frame Aluminium	2005-09-01 → 2012-12-31	1
2	-	Frame Carbon	2009-04-27 → 2012-12-31	1
3	-	Frame Titanium	2010-05-19 → 2012-12-31	1
5	-	Axle tube Aluminium	2005-09-01 → 2012-12-31	1
6	-	Axle tube Carbon	2005-09-01 → 2012-12-31	1
7	-	Vario-Ax	2005-09-01 → 2012-12-31	1
8	-	Axle holder	2005-09-01 → 2012-12-31	1
9	-	Rear wheel extension standard	2005-09-01 → 2012-12-31	1
10	-	Rear wheel extension for Vario-Ax	2005-09-01 → 2012-12-31	1

Frame Aluminium



75° (K4)		K4 ST35-45		K4+5 ST42.5-50	
		L	R	L	R
SHv48	UL29-33	UL34-43	1	6	
	UL29-35		2	7	
SHv49		UL36-39	1	6	
		UL40-46	2	7	
SHv50	UL29-39	UL40-47	2	7	
	UL34-40	UL41-47			3 8
SHv51	UL29-39	UL40-48	2	7	
	UL34-40	UL41-48			3 8

90° (AirLite)		AirLite ST35-45		AirLite+5 ST42.5-50	
		L	R	L	R
SHv49	UL29-39	UL40-45	4	9	
SHv50	UL29-39	UL40-46	4	9	
SHv51	UL29-39	UL40-47	4	9	
	UL34-40	UL41-46			5 10
SHv52	UL29-39	UL40-48	4	9	
	UL34-40	UL41-48			5 10

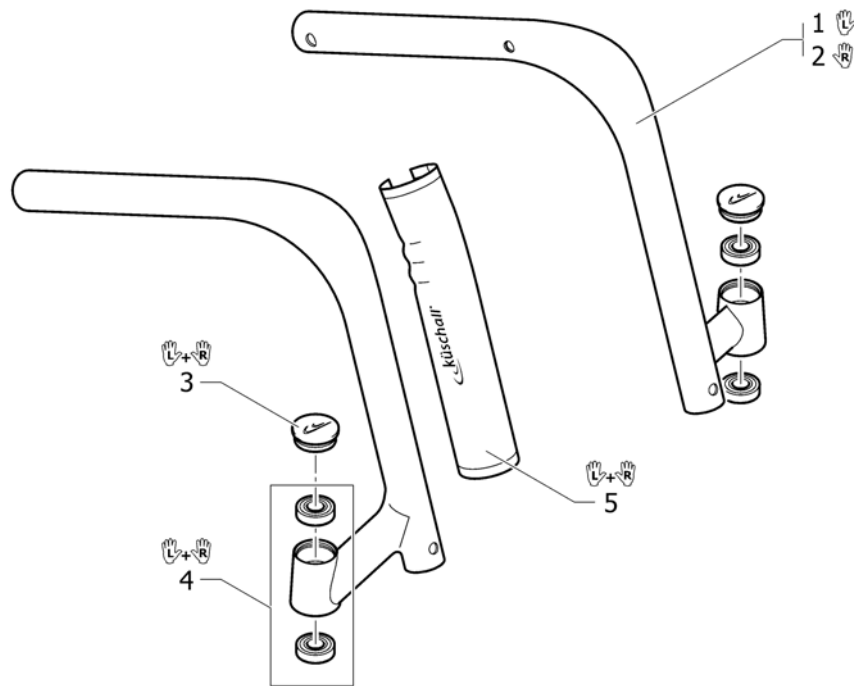
Pos.	Part number	Description	Valid from → until	Qty
1	1451923-0410	Front frame K4 short, left, polished		1
1	1451923-0411	Front frame K4 short, left, black, matt	2010-07-01 →	1
1	1451923-0419	Front frame K4 short, left, silver grey		1
1	1451923-0442	Front frame K4 short, left, night shimmer	2009-01-01 →	1
1	1451923-0445	Front frame K4 short, left, ivory white	2009-01-01 →	1
1	1451923-0446	Front frame K4 short, left, purple fire	2010-01-01 →	1
1	1451923-0447	Front frame K4 short, left, emerald green	2010-01-01 →	1
1	1451923-0448	Front frame K4 short, left, midnight blue	2010-01-01 →	1
1	1451923-0449	Front frame K4 short, left, umber glaze	2010-01-01 →	1
1	1451923-0450	Front frame K4 short, left, smokey grey	2010-01-01 →	1
1	1451923-3524	Front frame K4 short, left, royal red		1
1	1451923-5969	Front frame K4 short, left, royal blue		1
1	1451923-9005	Front frame K4 short, left, black, glossy		1
2	1487948-0410	Front frame K4, left, polished		1
2	1487948-0411	Front frame K4, left, black, matt	2010-07-01 →	1
2	1487948-0419	Front frame K4, left, silver grey		1
2	1487948-0442	Front frame K4, left, night shimmer	2009-01-01 →	1
2	1487948-0445	Front frame K4, left, ivory white	2009-01-01 →	1
2	1487948-0446	Front frame K4, left, purple fire	2010-01-01 →	1
2	1487948-0447	Front frame K4, left, emerald green	2010-01-01 →	1
2	1487948-0448	Front frame K4, left, midnight blue	2010-01-01 →	1
2	1487948-0449	Front frame K4, left, umber glaze	2010-01-01 →	1
2	1487948-0450	Front frame K4, left, smokey grey	2010-01-01 →	1
2	1487948-3524	Front frame K4, left, royal red		1
2	1487948-5969	Front frame K4, left, royal blue		1
2	1487948-9005	Front frame K4, left, black, glossy		1
3	1487950-0410	Front frame K4 +5, left, polished		1
3	1487950-0411	Front frame K4 +5, left, black, matt	2010-07-01 →	1
3	1487950-0419	Front frame K4 +5, left, silver grey		1
3	1487950-0442	Front frame K4 +5, left, night shimmer	2009-01-01 →	1
3	1487950-0445	Front frame K4 +5, left, ivory white	2009-01-01 →	1

Frame Aluminium

Pos.	Part number	Description	Valid from → until	Qty
3	1487950-0446	Front frame K4 +5, left, purple fire	2010-01-01 →	1
3	1487950-0447	Front frame K4 +5, left, emerald green	2010-01-01 →	1
3	1487950-0448	Front frame K4 +5, left, midnight blue	2010-01-01 →	1
3	1487950-0449	Front frame K4 +5, left, umber glaze	2010-01-01 →	1
3	1487950-0450	Front frame K4 +5, left, smokey grey	2010-01-01 →	1
3	1487950-3524	Front frame K4 +5, left, royal red		1
3	1487950-5969	Front frame K4 +5, left, royal blue		1
3	1487950-9005	Front frame K4 +5, left, black, glossy		1
4	1487949-0410	Front frame AirLite, left, polished		1
4	1487949-0411	Front frame AirLite, left, black, matt	2010-07-01 →	1
4	1487949-0419	Front frame AirLite, left, silver grey		1
4	1487949-0442	Front frame AirLite, left, night shimmer	2009-01-01 →	1
4	1487949-0445	Front frame AirLite, left, ivory white	2009-01-01 →	1
4	1487949-0446	Front frame AirLite, left, purple fire	2010-01-01 →	1
4	1487949-0447	Front frame AirLite, left, emerald green	2010-01-01 →	1
4	1487949-0448	Front frame AirLite, left, midnight blue	2010-01-01 →	1
4	1487949-0449	Front frame AirLite, left, umber glaze	2010-01-01 →	1
4	1487949-0450	Front frame AirLite, left, smokey grey	2010-01-01 →	1
4	1487949-3524	Front frame AirLite, left, royal red		1
4	1487949-5969	Front frame AirLite, left, royal blue		1
4	1487949-9005	Front frame AirLite, left, black, glossy		1
5	1487951-0410	Front frame Airlite +5, left, polished		1
5	1487951-0411	Front frame Airlite +5, left, black, matt	2010-07-01 →	1
5	1487951-0419	Front frame Airlite +5, left, silver grey		1
5	1487951-0442	Front frame Airlite +5, left, night shimmer	2009-01-01 →	1
5	1487951-0445	Front frame Airlite +5, left, ivory white	2009-01-01 →	1
5	1487951-0446	Front frame Airlite +5, left, purple fire	2010-01-01 →	1
5	1487951-0447	Front frame Airlite +5, left, emerald green	2010-01-01 →	1
5	1487951-0448	Front frame Airlite +5, left, midnight blue	2010-01-01 →	1
5	1487951-0449	Front frame Airlite +5, left, umber glaze	2010-01-01 →	1
5	1487951-0450	Front frame Airlite +5, left, smokey grey	2010-01-01 →	1
5	1487951-3524	Front frame Airlite +5, left, royal red		1
5	1487951-5969	Front frame Airlite +5, left, royal blue		1
5	1487951-9005	Front frame Airlite +5, left, black, glossy		1
6	1451924-0410	Front frame K4 short, right, polished		1
6	1451924-0411	Front frame K4 short, right, black, matt	2010-07-01 →	1
6	1451924-0419	Front frame K4 short, right, silver grey		1
6	1451924-0442	Front frame K4 short, right, night shimmer	2009-01-01 →	1
6	1451924-0445	Front frame K4 short, right, ivory white	2009-01-01 →	1
6	1451924-0446	Front frame K4 short, right, purple fire	2010-01-01 →	1
6	1451924-0447	Front frame K4 short, right, emerald green	2010-01-01 →	1
6	1451924-0448	Front frame K4 short, right, midnight blue	2010-01-01 →	1
6	1451924-0449	Front frame K4 short, right, umber glaze	2010-01-01 →	1
6	1451924-0450	Front frame K4 short, right, smokey grey	2010-01-01 →	1
6	1451924-3524	Front frame K4 short, right, royal red		1
6	1451924-5969	Front frame K4 short, right, royal blue		1
6	1451924-9005	Front frame K4 short, right, black, glossy		1
7	1487997-0410	Front frame K4, right, polished		1
7	1487997-0411	Front frame K4, right, black, matt	2010-07-01 →	1
7	1487997-0419	Front frame K4, right, silver grey		1
7	1487997-0442	Front frame K4, right, night shimmer	2009-01-01 →	1
7	1487997-0445	Front frame K4, right, ivory white	2009-01-01 →	1
7	1487997-0446	Front frame K4, right, purple fire	2010-01-01 →	1
7	1487997-0447	Front frame K4, right, emerald green	2010-01-01 →	1
7	1487997-0448	Front frame K4, right, midnight blue	2010-01-01 →	1

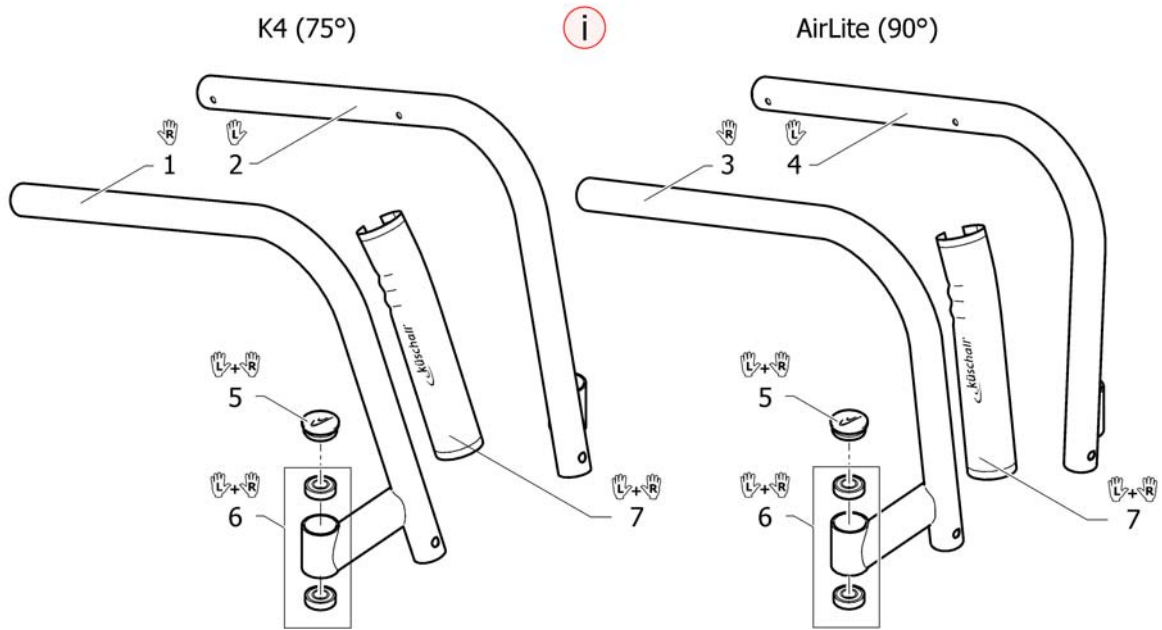
Frame Aluminium

Pos.	Part number	Description	Valid from → until	Qty
7	1487997-0449	Front frame K4, right, umber glaze	2010-01-01 →	1
7	1487997-0450	Front frame K4, right, smokey grey	2010-01-01 →	1
7	1487997-3524	Front frame K4, right, royal red		1
7	1487997-5969	Front frame K4, right, royal blue		1
7	1487997-9005	Front frame K4, right, black, glossy		1
8	1488000-0410	Front frame K4 +5, right, polished		1
8	1488000-0411	Front frame K4 +5, right, black, matt	2010-07-01 →	1
8	1488000-0419	Front frame K4 +5, right, silver grey		1
8	1488000-0442	Front frame K4 +5, right, night shimmer	2009-01-01 →	1
8	1488000-0445	Front frame K4 +5, right, ivory white	2009-01-01 →	1
8	1488000-0446	Front frame K4 +5, right, purple fire	2010-01-01 →	1
8	1488000-0447	Front frame K4 +5, right, emerald green	2010-01-01 →	1
8	1488000-0448	Front frame K4 +5, right, midnight blue	2010-01-01 →	1
8	1488000-0449	Front frame K4 +5, right, umber glaze	2010-01-01 →	1
8	1488000-0450	Front frame K4 +5, right, smokey grey	2010-01-01 →	1
8	1488000-3524	Front frame K4 +5, right, royal red		1
8	1488000-5969	Front frame K4 +5, right, royal blue		1
8	1488000-9005	Front frame K4 +5, right, black, glossy		1
9	1487999-0410	Front frame AirLite, right, polished		1
9	1487999-0411	Front frame AirLite, right, black, matt	2010-07-01 →	1
9	1487999-0419	Front frame AirLite, right, silver grey		1
9	1487999-0442	Front frame AirLite, right, night shimmer	2009-01-01 →	1
9	1487999-0445	Front frame AirLite, right, ivory white	2009-01-01 →	1
9	1487999-0446	Front frame AirLite, right, purple fire	2010-01-01 →	1
9	1487999-0447	Front frame AirLite, right, emerald green	2010-01-01 →	1
9	1487999-0448	Front frame AirLite, right, midnight blue	2010-01-01 →	1
9	1487999-0449	Front frame AirLite, right, umber glaze	2010-01-01 →	1
9	1487999-0450	Front frame AirLite, right, smokey grey	2010-01-01 →	1
9	1487999-3524	Front frame AirLite, right, royal red		1
9	1487999-5969	Front frame AirLite, right, royal blue		1
9	1487999-9005	Front frame AirLite, right, black, glossy		1
10	1488001-0410	Front frame Airlite +5, right, polished		1
10	1488001-0411	Front frame Airlite +5, right, black, matt	2010-07-01 →	1
10	1488001-0419	Front frame Airlite +5, right, silver grey		1
10	1488001-0442	Front frame Airlite +5, right, night shimmer	2009-01-01 →	1
10	1488001-0445	Front frame Airlite +5, right, ivory white	2009-01-01 →	1
10	1488001-0446	Front frame Airlite +5, right, purple fire	2010-01-01 →	1
10	1488001-0447	Front frame Airlite +5, right, emerald green	2010-01-01 →	1
10	1488001-0448	Front frame Airlite +5, right, midnight blue	2010-01-01 →	1
10	1488001-0449	Front frame Airlite +5, right, umber glaze	2010-01-01 →	1
10	1488001-0450	Front frame Airlite +5, right, smokey grey	2010-01-01 →	1
10	1488001-3524	Front frame Airlite +5, right, royal red		1
10	1488001-5969	Front frame Airlite +5, right, royal blue		1
10	1488001-9005	Front frame Airlite +5, right, black, glossy		1
11	1487961-0004	Bearing block cap pair, black anodized		1
11	1487961-0400	Bearing block cap pair, techno-anthrazit		1
11	1487961-0401	Bearing block cap pair, lemon		1
11	1487961-0402	Bearing block cap pair, apricot		1
11	1487961-0404	Bearing block cap pair, b-blue		1
11	1487961-0440	Bearing block cap pair, comet red	2007-01-01 →	1
11	1487961-0441	Bearing block cap pair, arctic blue	2010-01-01 →	1
11	1487961-0444	Bearing block cap, pair, copper glaze	2009-01-01 →	1
12	1451718	Bearing kit		1
13	1529372	Front frame protectors, pair	2009-07-01 →	1

Frame Carbon

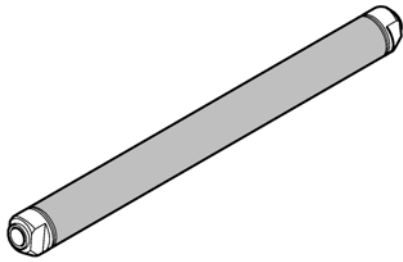
Pos.	Part number	Description	Valid from → until	Qty
1	1529328	Front frame Carbon K4, left		1
2	1529329	Front frame Carbon K4, right		1
3	1487961-0004	Bearing block cap pair, black anodized		1
3	1487961-0400	Bearing block cap pair, techno-anthrazit		1
3	1487961-0401	Bearing block cap pair, lemon		1
3	1487961-0402	Bearing block cap pair, apricot		1
3	1487961-0404	Bearing block cap pair, b-blue		1
3	1487961-0440	Bearing block cap pair, comet red		1
3	1487961-0441	Bearing block cap pair, arctic blue	2010-01-01 →	1
3	1487961-0444	Bearing block cap, pair, copper glaze		1
4	1451718	Bearing kit		1
5	1529372	Front frame protectors, pair	2009-07-01 →	1

Frame Titanium

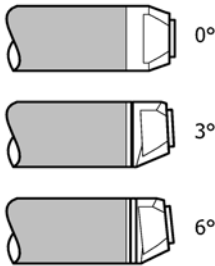
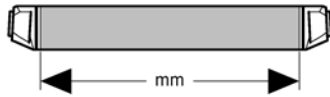


Pos.	Part number	Description	Valid from → until	Qty
i	-	Special sleeves for footplates and sleeves for brakes clamping pieces are necessary (See pages footplates and brakes).		0
1	1544421	Front frame Titanium K4, 75°, right		1
2	1544420	Front frame Titanium K4, 75°, left		1
3	1544423	Front frame Titanium Air Lite, 90°, right		1
4	1544422	Front frame Titanium Air Lite, 90°, left		1
5	1487961-0004	Bearing block cap pair, black anodized		1
5	1487961-0400	Bearing block cap pair, techno-anthrazit		1
5	1487961-0401	Bearing block cap pair, lemon		1
5	1487961-0402	Bearing block cap pair, apricot		1
5	1487961-0404	Bearing block cap pair, b-blue		1
5	1487961-0440	Bearing block cap pair, comet red		1
5	1487961-0441	Bearing block cap pair, arctic blue		1
5	1487961-0444	Bearing block cap, pair, copper glaze		1
6	1451718	Bearing kit		1
7	1529372	Front frame protectors, pair		1

Axle tube Aluminium



	In combination with:			SB34	SB36	SB38	SB40	SB42	SB44	SB46
0°	✓	✓	✓	1	2	3	4	5	6	7
3°	✓	✗	✓	9	10	11	12	13	14	15
	✗	✓	✓	10	11	12	13	14	15	16
6°	✓	✗	✓	18	19	20	21	22	23	24
	✗	✓	✓	19	20	21	22	23	24	25
9°	✓	✓	✓	27	28	29	30	31	32	33



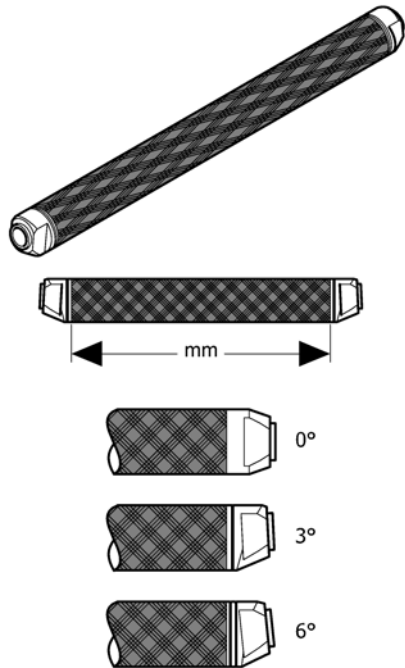
	In combination with:				SB34	SB36	SB38	SB40	SB42	SB44	SB46
0°	✓	✗	0°/3°/Vario	✓	1	2	3	4	5	6	7
	✗	✓	3°	✓	2	3	4	5	6	7	8
3°	✓	✗	0°/3°/Vario	✓	9	10	11	12	13	14	15
	✗	✓	0°/3°/Vario	✓	10	11	12	13	14	15	16
	✓	✗	6°	✓	10	11	12	13	14	15	16
6°	✗	✓	6°	✓	11	12	13	14	15	16	17
	✓	✗	3°/6°	✓	18	19	20	21	22	23	24
	✗	✓	3°/6°	✓	19	20	21	22	23	24	25
	✓	✗	9°	✓	19	20	21	22	23	24	25
9°	✗	✓	9°	✓	20	21	22	23	24	25	26
	✓	✓	6°/9°	✓	27	28	29	30	31	32	33

Pos.	Part number	Description	Valid from → until	Qty
1	1507512	Axle tube Aluminium 0° complete, 318mm <i>Replaces 1487993</i>		1
2	1507513	Axle tube Aluminium 0° complete, 338mm <i>Replaces 1416834</i>		1
3	1507514	Axle tube Aluminium 0° complete, 358mm <i>Replaces 1438703</i>		1
4	1507515	Axle tube Aluminium 0° complete, 378mm <i>Replaces 1438704</i>		1
5	1507516	Axle tube Aluminium 0° complete, 398mm <i>Replaces 1416846</i>		1
6	1507517	Axle tube Aluminium 0° complete, 418mm <i>Replaces 1438705</i>		1
7	1507518	Axle tube Aluminium 0° complete, 438mm <i>Replaces 1438706</i>	2007-01-01 →	1
8	1507519	Axle tube Aluminium 0° complete, 458mm <i>Replaces 1438707</i>	2007-01-01 →	1
9	1507526	Axle tube Aluminium 3° complete, 324mm <i>Replaces 1420817</i>		1
10	1507527	Axle tube Aluminium 3° complete, 344mm <i>Replaces 1438710</i>		1
11	1507528	Axle tube Aluminium 3° complete, 364mm <i>Replaces 1416835</i>		1
12	1507529	Axle tube Aluminium 3° complete, 384mm <i>Replaces 1420825</i>		1
13	1507530	Axle tube Aluminium 3° complete, 404mm <i>Replaces 1438712</i>		1
14	1507531	Axle tube Aluminium 3° complete, 424mm <i>Replaces 1416847</i>		1
15	1507532	Axle tube Aluminium 3° complete, 444mm <i>Replaces 1420833</i>		1
16	1507533	Axle tube Aluminium 3° complete, 464mm <i>Replaces 1438714</i>	2007-01-01 →	1
17	1507534	Axle tube Aluminium 3° complete, 484mm <i>Replaces 1438715</i>	2007-01-01 →	1
18	1507540	Axle tube Aluminium 6° complete, 354mm <i>Replaces 1420818</i>		1

Axle tube Aluminium

Pos.	Part number	Description	Valid from → until	Qty
19	1507541	Axle tube Aluminium 6° complete, 374mm <i>Replaces 1438717</i>		1
20	1507542	Axle tube Aluminium 6° complete, 394mm <i>Replaces 1416836</i>		1
21	1507543	Axle tube Aluminium 6° complete, 414mm <i>Replaces 1420826</i>		1
22	1507544	Axle tube Aluminium 6° complete, 434mm <i>Replaces 1438719</i>		1
23	1507545	Axle tube Aluminium 6° complete, 454mm <i>Replaces 1416848</i>		1
24	1507546	Axle tube Aluminium 6° complete, 474mm <i>Replaces 1420834</i>		1
25	1507547	Axle tube Aluminium 6° complete, 494mm <i>Replaces 1438721</i>	2007-01-01 →	1
26	1507548	Axle tube Aluminium 6° complete, 514mm <i>Replaces 1438722</i>	2007-01-01 →	1

Axle tube Carbon



	In combination with:				SB34	SB36	SB38	SB40	SB42	SB44	SB46
0°	✓	✓	✓	✓	1	2	3	4	5	6	7
3°	✓	✗	✓	✓	8	9	10	11	12	13	14
	✗	✓	✓	✓	9	10	11	12	13	14	15
6°	✓	✗	✓	✓	16	17	18	19	20	21	22
	✗	✓	✓	✓	17	18	19	20	21	22	23
9°	✓	✓	✓	✓	24	25	26	27	28	29	30

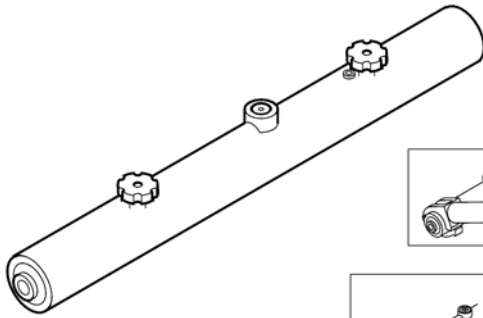
	not possible
--	--------------

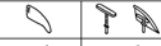
Pos.	Part number	Description	Valid from → until	Qty
1	1507565	Axle tube Carbon 0° complete, 318mm <i>Replaces 1487975-0428</i>		1
2	1507566	Axle tube Carbon 0° complete, 338mm <i>Replaces 911.1024.428</i>		1
3	1507567	Axle tube Carbon 0° complete, 358mm <i>Replaces 1438633-0428</i>		1
4	1507568	Axle tube Carbon 0° complete, 378mm <i>Replaces 1438634-0428</i>		1
5	1507569	Axle tube Carbon 0° complete, 398mm <i>Replaces 911.1032.428</i>		1
6	1507570	Axle tube Carbon 0° complete, 418mm <i>Replaces 1438635-0428</i>		1
7	1507571	Axle tube Carbon 0° complete, 438mm <i>Replaces 1438636-0428</i>	2007-01-01 →	1
8	1507575	Axle tube Carbon 3° complete, 324mm <i>Replaces 1488182-0428</i>		1
9	1507576	Axle tube Carbon 3° complete, 344mm <i>Replaces 1438640-0428</i>		1
10	1507577	Axle tube Carbon 3° complete, 364mm <i>Replaces 911.1025.428</i>		1
11	1507578	Axle tube Carbon 3° complete, 384mm <i>Replaces 1438641-0428</i>		1
12	1507579	Axle tube Carbon 3° complete, 404mm <i>Replaces 1438642-0428</i>		1
13	1507580	Axle tube Carbon 3° complete, 424mm <i>Replaces 911.1033.428</i>		1
14	1507581	Axle tube Carbon 3° complete, 444mm <i>Replaces 1438643-0428</i>	2007-01-01 →	1
15	1507582	Axle tube Carbon 3° complete, 464mm <i>Replaces 1438644-0428</i>	2007-01-01 →	1
16	1507585	Axle tube Carbon 6° complete, 354mm <i>Replaces 1488183-0428</i>		1
17	1507586	Axle tube Carbon 6° complete, 374mm <i>Replaces 1438647-0428</i>		1
18	1507587	Axle tube Carbon 6° complete, 394mm <i>Replaces 911.1026.428</i>		1


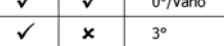
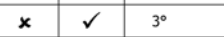
Axle tube Carbon

Pos.	Part number	Description	Valid from → until	Qty
19	1507588	Axle tube Carbon 6° complete, 414mm <i>Replaces 1438648-0428</i>		1
20	1507589	Axle tube Carbon 6° complete, 434mm <i>Replaces 1438649-0428</i>		1
21	1507590	Axle tube Carbon 6° complete, 454mm <i>Replaces 911.1034.428</i>		1
22	1507591	Axle tube Carbon 6° complete, 474mm <i>Replaces 1438650-0428</i>	2007-01-01 →	1
23	1507592	Axle tube Carbon 6° complete, 494mm <i>Replaces 1438651-0428</i>	2007-01-01 →	1

Vario-Ax

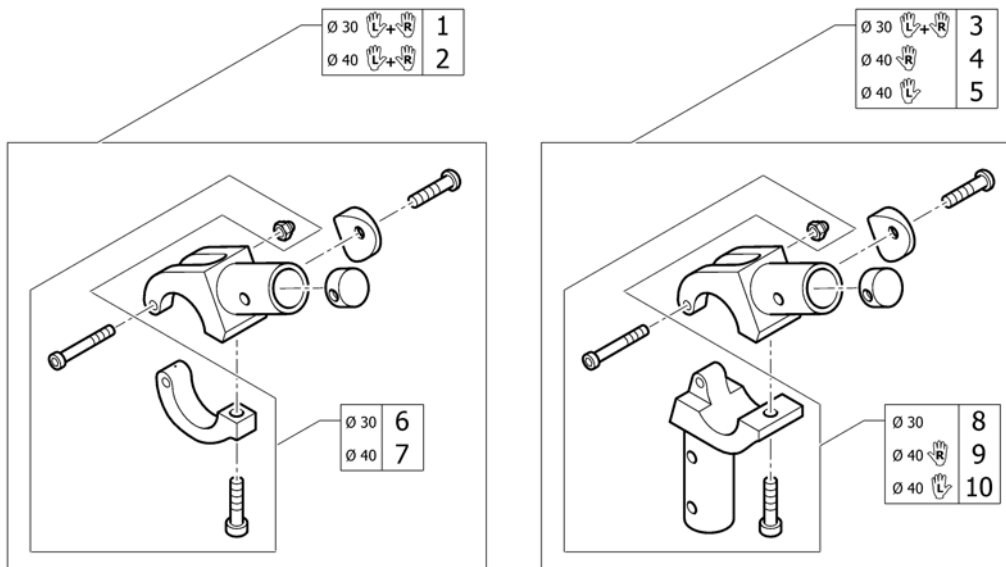


In combination with:	SB34 SB36 SB38 SB40 SB42 SB44 SB46								
		✓	✓	1	2	3	4	5	6

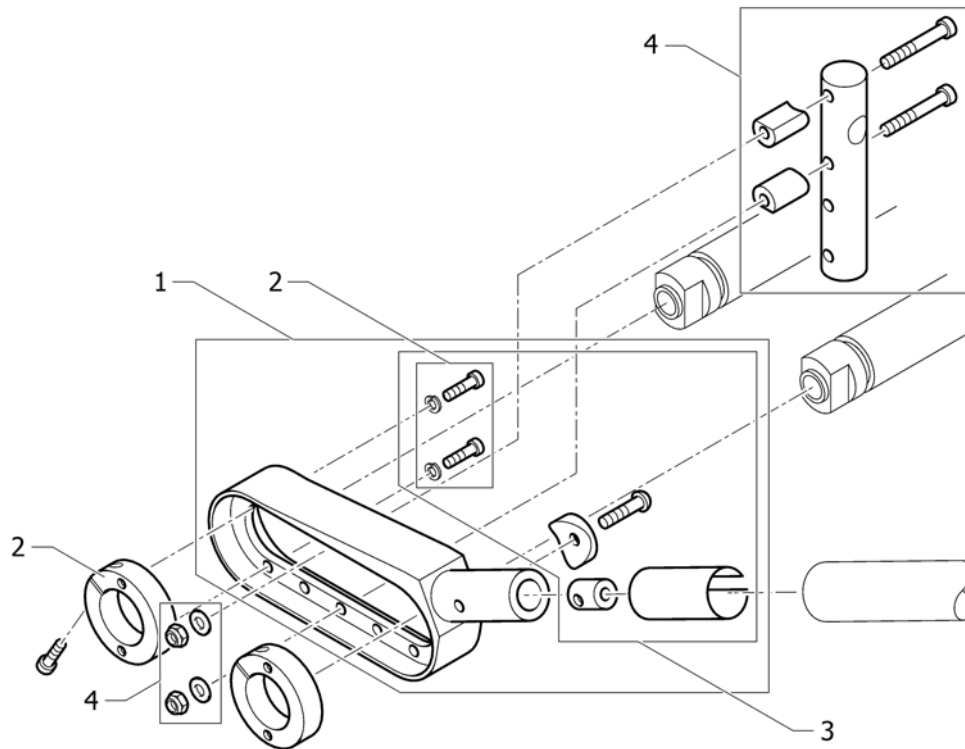
In combination with:	SB34 SB36 SB38 SB40 SB42 SB44 SB46									
		✓	✓	0°/Vario	1	2	3	4	5	6
	✓	✗	3°	1	2	3	4	5	6	7
	✗	✓	3°	2	3	4	5	6	7	8

Pos.	Part number	Description	Valid from → until	Qty
1	1507611	Vario-Ax complete 355mm <i>Replaces 1487983</i>		1
2	1507612	Vario-Ax complete 375mm <i>Replaces 907.1161</i>		1
3	1507613	Vario-Ax complete 395mm <i>Replaces 1437101</i>		1
4	1507615	Vario-Ax complete 415mm <i>Replaces 1437102</i>		1
5	1507616	Vario-Ax complete 435mm <i>Replaces 907.1163</i>		1
6	1507617	Vario-Ax complete 455mm <i>Replaces 1437103</i>		1
7	1507619	Vario-Ax complete 475mm <i>Replaces 1437104</i>		1
8	1507620	Vario-Ax complete 495mm <i>Replaces 1437105</i>		1

Axle holder

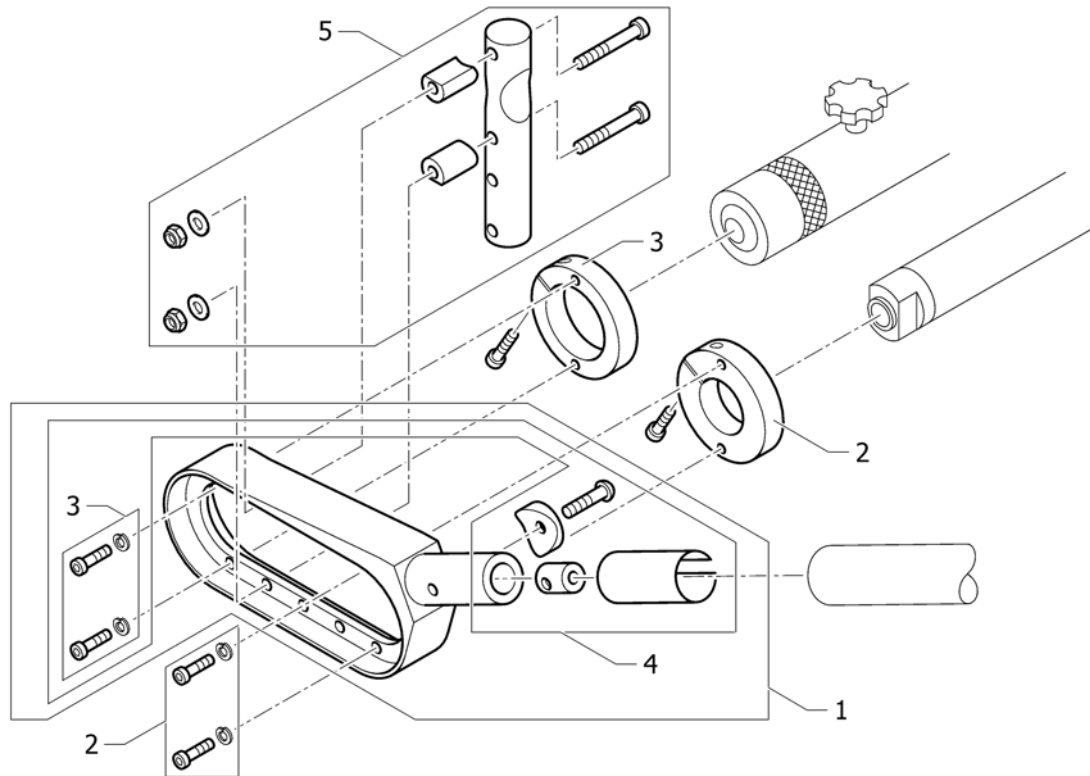


Pos.	Part number	Description	Valid from → until	Qty
1	1487954	Axle holder complete Ø30, pair		1
2	1487955	Axle holder complete Ø40, pair		1
3	1451738	Axle holder for adaptations Ø30, pair		1
4	1451739	Axle holder for adaptations Ø40, right		1
5	1451740	Axle holder for adaptations Ø40, left		1
6	1487956	Axle holder latch Ø30		2
7	1487957	Axle holder latch Ø40		2
8	1487958	Axle holder latch for Adaptations, Ø30		2
9	1487959	Axle holder latch for Adaptations right, Ø40		1
10	1487960	Axle holder latch for Adaptations left, Ø40		1

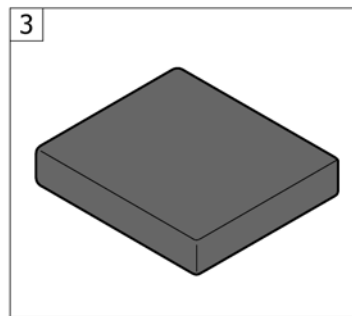
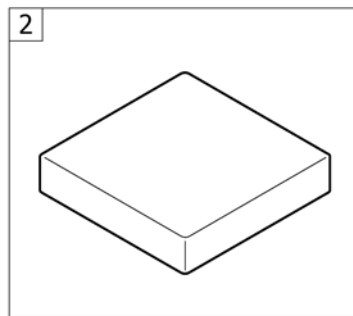
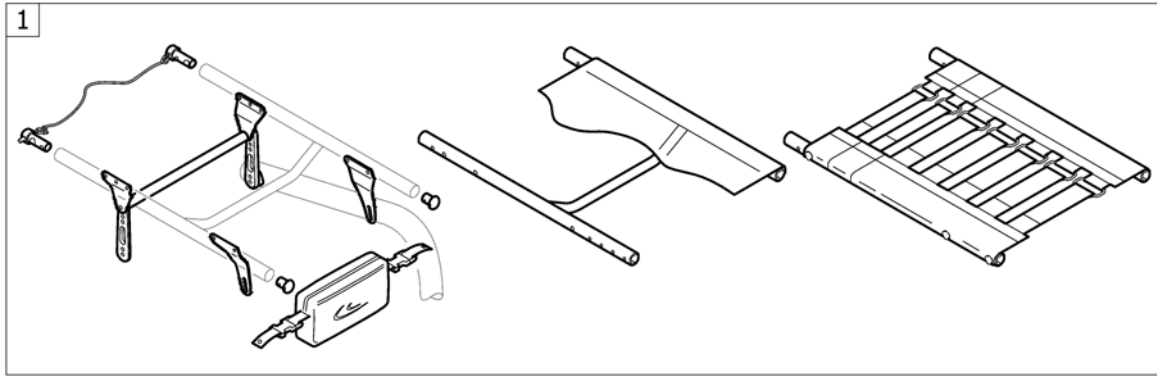
Rear wheel extension standard

Pos.	Part number	Description	Valid from → until	Qty
1	1451741	Rear wheel extension standard complete		2
2	1451743	Clamping ring Ø50/30 incl. screw kit		2
3	1451746	Assembly kit for pair rear wheel extension		1
4	1451747	Adaptation holder, kit for rear wheel extension standard		2

Rear wheel extension for Vario-Ax

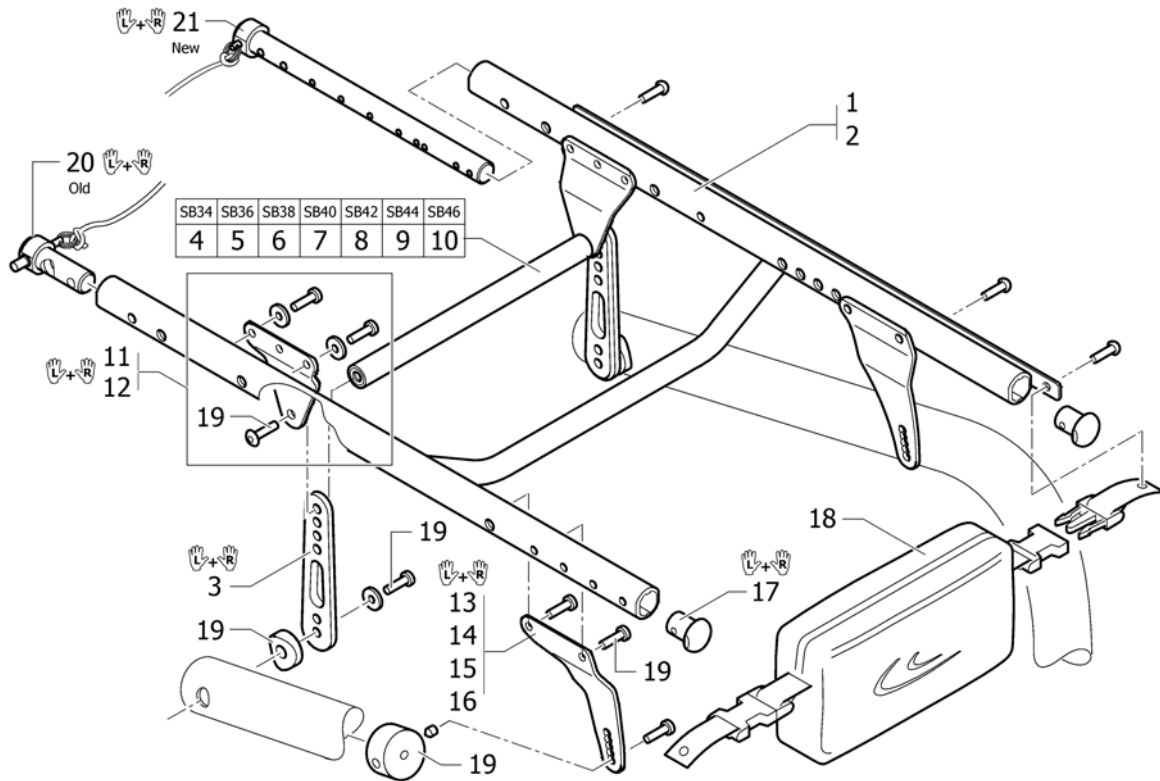


Pos.	Part number	Description	Valid from → until	Qty
1	1451742	Rear wheel extension Vario-Ax complete		1
2	1451744	Clamping ring Ø60/30 incl. screw kit		1
3	1451745	Clamping ring Ø60/40 incl. screw kit		1
4	1451746	Assembly kit for pair rear wheel extension		1
5	1451748	Adaptation holder, kit for rear wheel extension Vario-Ax		1



Pos.	Part number	Description	Valid from → until	Qty
1	-	Seat module	2005-09-01 → 2012-12-31	1
2	-	Seat cushion standard	2012-07-01 → 2012-12-31	1
3	-	Seat cushion Alcantara	2009-01-01 → 2012-12-31	1

Seat module

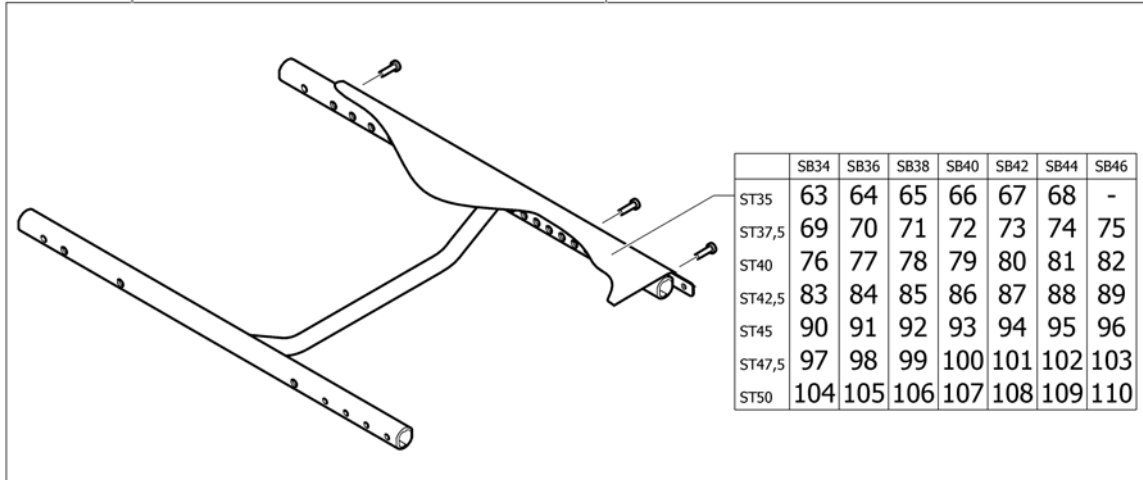


Pos.	Part number	Description	Valid from → until	Qty
1	-	Seat frame, cover standard		1
2	-	Seat frame, cover tension adjustable		1
3	1486528	Seat brace-Set vertical (S, M, L)		1
4	1451842	Seat brace horizontal SB34		1
5	1451843	Seat brace horizontal SB36		1
6	1451917	Seat brace horizontal SB38		1
7	1451918	Seat brace horizontal SB40		1
8	1451919	Seat brace horizontal SB42		1
9	1451920	Seat brace horizontal SB44		1
10	1506951	Seat brace horizontal SB46	2007-01-01 →	1
11	1451921	Hinge bracket-Set Seat Frame, rear		1
12	1451922	Hinge bracket-Set Suspension Seat Frame, rear		1
13	1486535	Hinge bracket-Set Front Seat Frame S		1
14	1486536	Hinge bracket-Set Front Seat Frame L		1
15	1486537	Hinge bracket-Set Suspension Seat Frame S		1
16	1486538	Hinge bracket-Set Suspension Seat Frame L		1
17	1486539-0004	Seatmodule plug, pair, black anodized		1
17	1486539-0400	Seatmodule plug, pair, techno-anthrazit		1
17	1486539-0401	Seatmodule plug, pair, lemon		1
17	1486539-0402	Seatmodule plug, pair, apricot		1
17	1486539-0404	Seatmodule plug, pair, b-blue		1
17	1486539-0440	Seatmodule plug, pair, comet red	2007-01-01 →	1
17	1486539-0441	Seatmodule plug, pair, arctic blue	2010-01-01 →	1
17	1486539-0444	Seatmodule plug, pair, copper glaze	2009-01-01 →	1
18	1529340	Seat bag	2008-07-01 →	1
19	1529343	Fixation kit to hinge brackets, pair		1
21	1536255	Backrest-Bolt long Set	2010-02-01 →	1

Seat frame, cover standard

	SB34	SB36	SB38	SB40	SB42	SB44	SB46
ST35	1	2	3	4	5	6	-
ST37,5	7	8	9	10	11	12	13
ST40	14	15	16	17	18	19	20
ST42,5	21	22	23	24	25	26	27
ST45	28	29	30	31	32	33	34

	SB34	SB36	SB38	SB40	SB42	SB44	SB46
ST42,5	35	36	37	38	39	40	41
ST45	42	43	44	45	46	47	48
ST47,5	49	50	51	52	53	54	55
ST50	56	57	58	59	60	61	62



Pos.	Part number	Description	Valid from → until	Qty
1	1487584	Seat module complete for frame short SB34 ST35		1
2	1487585	Seat module complete for frame short SB36 ST35		1
3	1487586	Seat module complete for frame short SB38 ST35		1
4	1487587	Seat module complete for frame short SB40 ST35		1
5	1487588	Seat module complete for frame short SB42 ST35		1
6	1487589	Seat module complete for frame short SB44 ST35		1
7	1487965	Seat module complete for standard frame SB34 ST37.5		1
8	1487969	Seat module complete for standard frame SB36 ST37.5		1
9	1487608	Seat module complete for standard frame SB38 ST37.5		1
10	1487612	Seat module complete for standard frame SB40 ST37.5		1
11	1487616	Seat module complete for standard frame SB42 ST37.5		1
12	1487620	Seat module complete for standard frame SB44 ST37.5		1
13	1506971	Seat module complete for standard frame SB46 ST37.5		1
14	1487966	Seat module complete for standard frame SB34 ST40		1
15	1487970	Seat module complete for standard frame SB36 ST40		1
16	1487609	Seat module complete for standard frame SB38 ST40		1
17	1487613	Seat module complete for standard frame SB40 ST40		1
18	1487617	Seat module complete for standard frame SB42 ST40		1
19	1487621	Seat module complete for standard frame SB44 ST40		1
20	1507105	Seat module complete for standard frame SB46 ST40		1
21	1487967	Seat module complete for standard frame SB34 ST42.5		1
22	1487971	Seat module complete for standard frame SB36 ST42.5		1
23	1487610	Seat module complete for standard frame SB38 ST42.5		1
24	1487614	Seat module complete for standard frame SB40 ST42.5		1
25	1487618	Seat module complete for standard frame SB42 ST42.5		1
26	1487622	Seat module complete for standard frame SB44 ST42.5		1
27	1507106	Seat module complete for standard frame SB46 ST42.5		1
28	1487968	Seat module complete for standard frame SB34 ST45		1
29	1487972	Seat module complete for standard frame SB36 ST45		1
30	1487611	Seat module complete for standard frame SB38 ST45		1
31	1487615	Seat module complete for standard frame SB40 ST45		1

Seat frame, cover standard

Pos.	Part number	Description	Valid from → until	Qty
32	1487619	Seat module complete for standard frame SB42 ST45		1
33	1487623	Seat module complete for standard frame SB44 ST45		1
34	1507151	Seat module complete for standard frame SB46 ST45		1
35	1487624	Seat module complete for frame +5 SB34 ST42.5		1
36	1487628	Seat module complete for frame +5 SB36 ST42.5		1
37	1487568	Seat module complete for frame +5 SB38 ST42.5		1
38	1487572	Seat module complete for frame +5 SB40 ST42.5		1
39	1487576	Seat module complete for frame +5 SB42 ST42.5		1
40	1487580	Seat module complete for frame +5 SB44 ST42.5		1
41	1506967	Seat module complete for frame +5 SB46 ST42.5		1
42	1487625	Seat module complete for frame +5 SB34 ST45		1
43	1487565	Seat module complete for frame +5 SB36 ST45		1
44	1487569	Seat module complete for frame +5 SB38 ST45		1
45	1487573	Seat module complete for frame +5 SB40 ST45		1
46	1487577	Seat module complete for frame +5 SB42 ST45		1
47	1487581	Seat module complete for frame +5 SB44 ST45		1
48	1506968	Seat module complete for frame +5 SB46 ST45		1
49	1487626	Seat module complete for frame +5 SB34 ST47.5		1
50	1487566	Seat module complete for frame +5 SB36 ST47.5		1
51	1487570	Seat module complete for frame +5 SB38 ST47.5		1
52	1487574	Seat module complete for frame +5 SB40 ST47.5		1
53	1487578	Seat module complete for frame +5 SB42 ST47.5		1
54	1487582	Seat module complete for frame +5 SB44 ST47.5		1
55	1506969	Seat module complete for frame +5 SB46 ST47.5		1
56	1487627	Seat module complete for frame +5 SB34 ST50		1
57	1487567	Seat module complete for frame +5 SB36 ST50		1
58	1487571	Seat module complete for frame +5 SB38 ST50		1
59	1487575	Seat module complete for frame +5 SB40 ST50		1
60	1487579	Seat module complete for frame +5 SB42 ST50		1
61	1487583	Seat module complete for frame +5 SB44 ST50		1
62	1506970	Seat module complete for frame +5 SB46 ST50		1
63	1486573	Seatcover complete for frame short SB34 ST35		1
64	1486513	Seatcover complete for frame short SB36 ST35		1
65	1486516	Seatcover complete for frame short SB38 ST35		1
66	1486519	Seatcover complete for frame short SB40 ST35		1
67	1486522	Seatcover complete for frame short SB42 ST35		1
68	1486525	Seatcover complete for frame short SB44 ST35		1
69	1487540	Seatcover complete for frame standard/+5 SB34 ST37.5		1
70	1487546	Seatcover complete for frame standard/+5 SB36 ST37.5		1
71	1487552	Seatcover complete for frame standard/+5 SB38 ST37.5		1
72	1487558	Seatcover complete for frame standard/+5 SB40 ST37.5		1
73	1487564	Seatcover complete for frame standard/+5 SB42 ST37.5		1
74	1486567	Seatcover complete for frame standard/+5 SB44 ST37.5		1
75	1506961	Seatcover complete for frame standard/+5 SB46 ST37.5		1
76	1487541	Seatcover complete for frame standard/+5 SB34 ST40		1
77	1487547	Seatcover complete for frame standard/+5 SB36 ST40		1
78	1487553	Seatcover complete for frame standard/+5 SB38 ST40		1
79	1487559	Seatcover complete for frame standard/+5 SB40 ST40		1
80	1487871	Seatcover complete for frame standard/+5 SB42 ST40		1
81	1486568	Seatcover complete for frame standard/+5 SB44 ST40		1
82	1506962	Seatcover complete for frame standard/+5 SB46 ST40		1
83	1487542	Seatcover complete for frame standard/+5 SB34 ST42.5		1
84	1487548	Seatcover complete for frame standard/+5 SB36 ST42.5		1
85	1487554	Seatcover complete for frame standard/+5 SB38 ST42.5		1
86	1487560	Seatcover complete for frame standard/+5 SB40 ST42.5		1

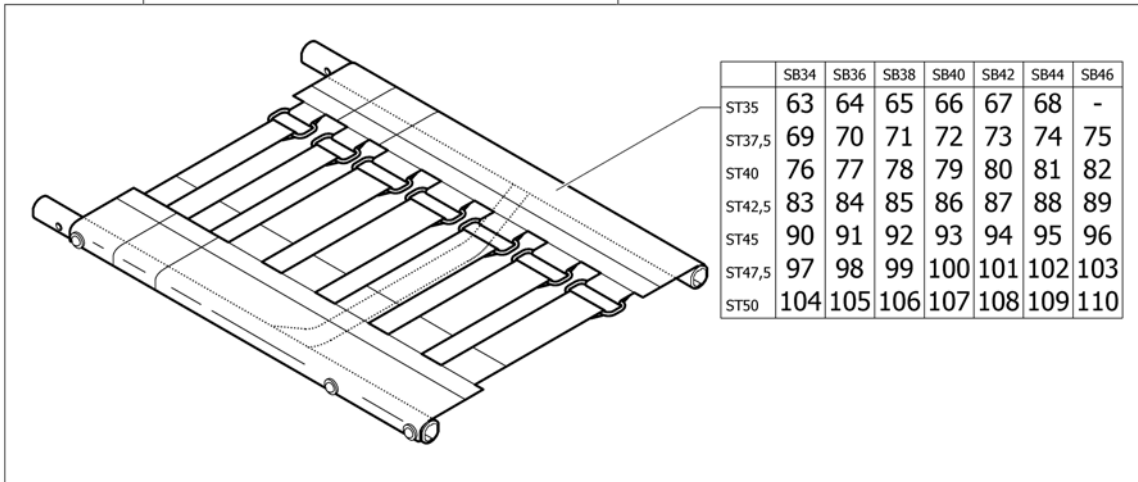
Seat frame, cover standard

Pos.	Part number	Description	Valid from → until	Qty
87	1487915	Seatcover complete for frame standard/+5 SB42 ST42.5		1
88	1486569	Seatcover complete for frame standard/+5 SB44 ST42.5		1
89	1506963	Seatcover complete for frame standard/+5 SB46 ST42.5		1
90	1487543	Seatcover complete for frame standard/+5 SB34 ST45		1
91	1487549	Seatcover complete for frame standard/+5 SB36 ST45		1
92	1487555	Seatcover complete for frame standard/+5 SB38 ST45		1
93	1487561	Seatcover complete for frame standard/+5 SB40 ST45		1
94	1487916	Seatcover complete for frame standard/+5 SB42 ST45		1
95	1486570	Seatcover complete for frame standard/+5 SB44 ST45		1
96	1506964	Seatcover complete for frame standard/+5 SB46 ST45		1
97	1487544	Seatcover complete for frame standard/+5 SB34 ST47.5		1
98	1487550	Seatcover complete for frame standard/+5 SB36 ST47.5		1
99	1487556	Seatcover complete for frame standard/+5 SB38 ST47.5		1
100	1487562	Seatcover complete for frame standard/+5 SB40 ST47.5		1
101	1487917	Seatcover complete for frame standard/+5 SB42 ST47.5		1
102	1486571	Seatcover complete for frame standard/+5 SB44 ST47.5		1
103	1506965	Seatcover complete for frame standard/+5 SB46 ST47.5		1
104	1487545	Seatcover complete for frame standard/+5 SB34 ST50		1
105	1487551	Seatcover complete for frame standard/+5 SB36 ST50		1
106	1487557	Seatcover complete for frame standard/+5 SB38 ST50		1
107	1487563	Seatcover complete for frame standard/+5 SB40 ST50		1
108	1487918	Seatcover complete for frame standard/+5 SB42 ST50		1
109	1486572	Seatcover complete for frame standard/+5 SB44 ST50		1
110	1506966	Seatcover complete for frame standard/+5 SB46 ST50		1

Seat frame, cover tension adjustable

	SB34	SB36	SB38	SB40	SB42	SB44	SB46
ST35	1	2	3	4	5	6	-
ST37,5	7	8	9	10	11	12	13
ST40	14	15	16	17	18	19	20
ST42,5	21	22	23	24	25	26	27
ST45	28	29	30	31	32	33	34

	+5	+5	SB34	SB36	SB38	SB40	SB42	SB44	SB46
ST42,5	35	36	37	38	39	40	41		
ST45	42	43	44	45	46	47	48		
ST47,5	49	50	51	52	53	54	55		
ST50	56	57	58	59	60	61	62		



Pos.	Part number	Description	Valid from → until	Qty
1	1493649	Seat module complete, adjustable cover, SB34 ST35		1
2	1493650	Seat module complete, adjustable cover, SB36 ST35		1
3	1493651	Seat module complete, adjustable cover, SB38 ST35		1
4	1493652	Seat module complete, adjustable cover, SB40 ST35		1
5	1493653	Seat module complete, adjustable cover, SB42 ST35		1
6	1493654	Seat module complete, adjustable cover, SB44 ST35		1
7	1493655	Seat module complete, adjustable cover, SB34 ST37.5		1
8	1493656	Seat module complete, adjustable cover, SB36 ST37.5		1
9	1493657	Seat module complete, adjustable cover, SB38 ST37.5		1
10	1493658	Seat module complete, adjustable cover, SB40 ST37.5		1
11	1493659	Seat module complete, adjustable cover, SB42 ST37.5		1
12	1493660	Seat module complete, adjustable cover, SB44 ST37.5		1
13	1507152	Seat module complete, adjustable cover, SB46 ST37.5		1
14	1493661	Seat module complete, adjustable cover, SB34 ST40		1
15	1493662	Seat module complete, adjustable cover, SB36 ST40		1
16	1493663	Seat module complete, adjustable cover, SB38 ST40		1
17	1493664	Seat module complete, adjustable cover, SB40 ST40		1
18	1493665	Seat module complete, adjustable cover, SB42 ST40		1
19	1493666	Seat module complete, adjustable cover, SB44 ST40		1
20	1507153	Seat module complete, adjustable cover, SB46 ST40		1
21	1493667	Seat module complete, adjustable cover, SB34 ST42.5		1
22	1493668	Seat module complete, adjustable cover, SB36 ST42.5		1
23	1493669	Seat module complete, adjustable cover, SB38 ST42.5		1
24	1493670	Seat module complete, adjustable cover, SB40 ST42.5		1
25	1493671	Seat module complete, adjustable cover, SB42 ST42.5		1
26	1493672	Seat module complete, adjustable cover, SB44 ST42.5		1
27	1507154	Seat module complete, adjustable cover, SB46 ST42.5		1
28	1493673	Seat module complete, adjustable cover, SB34 ST45		1
29	1493674	Seat module complete, adjustable cover, SB36 ST45		1
30	1493675	Seat module complete, adjustable cover, SB38 ST45		1
31	1493676	Seat module complete, adjustable cover, SB40 ST45		1

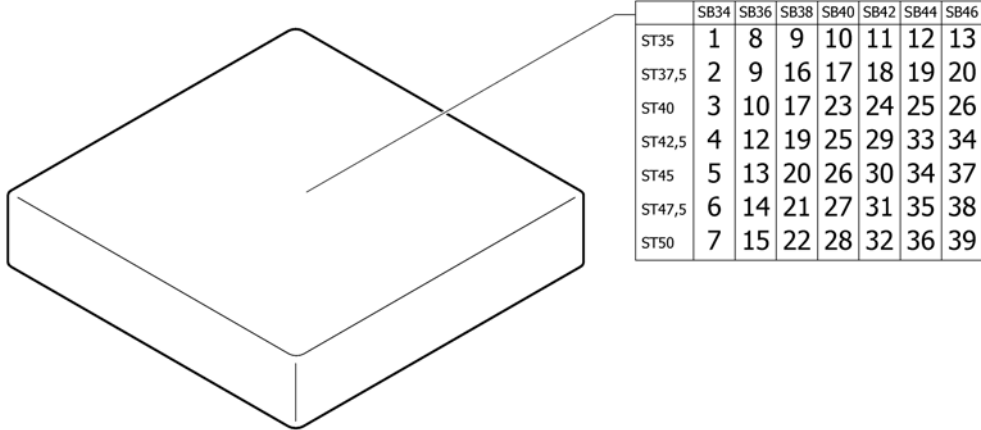
Seat frame, cover tension adjustable

Pos.	Part number	Description	Valid from → until	Qty
32	1493677	Seat module complete, adjustable cover, SB42 ST45		1
33	1493678	Seat module complete, adjustable cover, SB44 ST45		1
34	1507155	Seat module complete, adjustable cover, SB46 ST45		1
35	1493679	Seat module complete, adjustable cover (frame+5 only), SB34 ST42.5		1
36	1493680	Seat module complete, adjustable cover (frame+5 only), SB36 ST42.5		1
37	1493681	Seat module complete, adjustable cover (frame+5 only), SB38 ST42.5		1
38	1493682	Seat module complete, adjustable cover (frame+5 only), SB40 ST42.5		1
39	1493683	Seat module complete, adjustable cover (frame+5 only), SB42 ST42.5		1
40	1493684	Seat module complete, adjustable cover (frame+5 only), SB44 ST42.5		1
41	1507156	Seat module complete, adjustable cover (frame+5 only), SB46 ST42.5		1
42	1493685	Seat module complete, adjustable cover (frame+5 only), SB34 ST45		1
43	1493686	Seat module complete, adjustable cover (frame+5 only), SB36 ST45		1
44	1493687	Seat module complete, adjustable cover (frame+5 only), SB38 ST45		1
45	1493688	Seat module complete, adjustable cover (frame+5 only), SB40 ST45		1
46	1493689	Seat module complete, adjustable cover (frame+5 only), SB42 ST45		1
47	1493690	Seat module complete, adjustable cover (frame+5 only), SB44 ST45		1
48	1507157	Seat module complete, adjustable cover (frame+5 only), SB46 ST45		1
49	1493691	Seat module complete, adjustable cover (frame+5 only), SB34 ST47.5		1
50	1493692	Seat module complete, adjustable cover (frame+5 only), SB36 ST47.5		1
51	1493693	Seat module complete, adjustable cover (frame+5 only), SB38 ST47.5		1
52	1493694	Seat module complete, adjustable cover (frame+5 only), SB40 ST47.5		1
53	1493695	Seat module complete, adjustable cover (frame+5 only), SB42 ST47.5		1
54	1493696	Seat module complete, adjustable cover (frame+5 only), SB44 ST47.5		1
55	1507158	Seat module complete, adjustable cover (frame+5 only), SB46 ST47.5		1
56	1493697	Seat module complete, adjustable cover (frame+5 only), SB34 ST50		1
57	1493698	Seat module complete, adjustable cover (frame+5 only), SB36 ST50		1
58	1493699	Seat module complete, adjustable cover (frame+5 only), SB38 ST50		1
59	1493700	Seat module complete, adjustable cover (frame+5 only), SB40 ST50		1
60	1493701	Seat module complete, adjustable cover (frame+5 only), SB42 ST50		1
61	1493702	Seat module complete, adjustable cover (frame+5 only), SB44 ST50		1
62	1507233	Seat module complete, adjustable cover (frame+5 only), SB46 ST50		1
63	1493703	Seat cover, tension adjustable complete SB34 ST35		1
64	1493704	Seat cover, tension adjustable complete SB36 ST35		1
65	1493705	Seat cover, tension adjustable complete SB38 ST35		1
66	1493706	Seat cover, tension adjustable complete SB40 ST35		1
67	1493707	Seat cover, tension adjustable complete SB42 ST35		1
68	1493708	Seat cover, tension adjustable complete SB44 ST35		1
69	1493709	Seat cover, tension adjustable complete SB34 ST37.5		1
70	1493710	Seat cover, tension adjustable complete SB36 ST37.5		1
71	1493711	Seat cover, tension adjustable complete SB38 ST37.5		1
72	1493712	Seat cover, tension adjustable complete SB40 ST37.5		1
73	1493713	Seat cover, tension adjustable complete SB42 ST37.5		1
74	1493714	Seat cover, tension adjustable complete SB44 ST37.5		1
75	1507270	Seat cover, tension adjustable complete SB46 ST37.5		1
76	1493715	Seat cover, tension adjustable complete SB34 ST40		1
77	1493716	Seat cover, tension adjustable complete SB36 ST40		1
78	1493717	Seat cover, tension adjustable complete SB38 ST40		1
79	1493718	Seat cover, tension adjustable complete SB40 ST40		1
80	1493719	Seat cover, tension adjustable complete SB42 ST40		1
81	1493720	Seat cover, tension adjustable complete SB44 ST40		1
82	1507465	Seat cover, tension adjustable complete SB46 ST40		1
83	1493721	Seat cover, tension adjustable complete SB34ST42.5		1
84	1493722	Seat cover, tension adjustable complete SB36ST42.5		1
85	1493723	Seat cover, tension adjustable complete SB38ST42.5		1
86	1493724	Seat cover, tension adjustable complete SB40ST42.5		1

Seat frame, cover tension adjustable

Pos.	Part number	Description	Valid from → until	Qty
87	1493725	Seat cover, tension adjustable complete SB42ST42.5		1
88	1493726	Seat cover, tension adjustable complete SB44ST42.5		1
89	1507466	Seat cover, tension adjustable complete SB46 ST42.5		1
90	1493727	Seat cover, tension adjustable complete SB34 ST45		1
91	1493728	Seat cover, tension adjustable complete SB36 ST45		1
92	1493729	Seat cover, tension adjustable complete SB38 ST45		1
93	1493730	Seat cover, tension adjustable complete SB40 ST45		1
94	1493731	Seat cover, tension adjustable complete SB42 ST45		1
95	1493732	Seat cover, tension adjustable complete SB44 ST45		1
96	1507467	Seat cover, tension adjustable complete SB46 ST45		1
97	1493733	Seat cover, tension adjustable complete SB34 ST47.5		1
98	1493734	Seat cover, tension adjustable complete SB36 ST47.5		1
99	1493735	Seat cover, tension adjustable complete SB38 ST47.5		1
100	1493736	Seat cover, tension adjustable complete SB40 ST47.5		1
101	1493737	Seat cover, tension adjustable complete SB42 ST47.5		1
102	1493738	Seat cover, tension adjustable complete SB44 ST47.5		1
103	1507501	Seat cover, tension adjustable complete SB46 ST47.5		1
104	1493739	Seat cover, tension adjustable complete SB34 ST50		1
105	1493740	Seat cover, tension adjustable complete SB36 ST50		1
106	1493741	Seat cover, tension adjustable complete SB38 ST50		1
107	1493742	Seat cover, tension adjustable complete SB40 ST50		1
108	1493743	Seat cover, tension adjustable complete SB42 ST50		1
109	1493744	Seat cover, tension adjustable complete SB44 ST50		1
110	1507502	Seat cover, tension adjustable complete SB46 ST50		1

Seat cushion standard

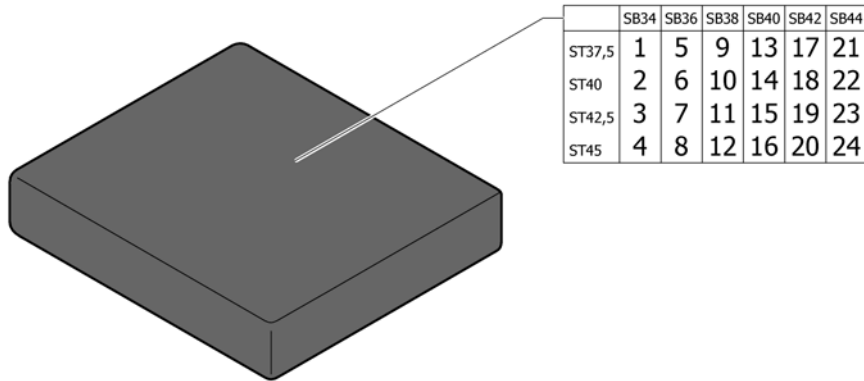


Pos.	Part number	Description	Valid from → until	Qty
1	1556326	Seat cushion 340mm x 360mm		1
2	1556327	Seat cushion 340mm x 380mm		1
3	1556328	Seat cushion 340mm x 400mm		1
4	1556330	Seat cushion 340mm x 440mm		1
5	1556331	Seat cushion 340mm x 460mm		1
6	1556332	Seat cushion 340mm x 480mm		1
7	1556333	Seat cushion 340mm x 500mm		1
8	1556335	Seat cushion 360mm x 360mm		1
9	1556336	Seat cushion 360mm x 380mm		1
10	1556337	Seat cushion 360mm x 400mm		1
11	1556338	Seat cushion 360mm x 420mm		1
12	1556339	Seat cushion 360mm x 440mm		1
13	1556340	Seat cushion 360mm x 460mm		1
14	1556341	Seat cushion 360mm x 480mm		1
15	1556342	Seat cushion 360mm x 500mm		1
16	1556344	Seat cushion 380mm x 380mm		1
17	1556345	Seat cushion 380mm x 400mm		1
18	1556346	Seat cushion 380mm x 420mm		1
19	1556347	Seat cushion 380mm x 440mm		1
20	1556348	Seat cushion 380mm x 460mm		1
21	1556349	Seat cushion 380mm x 480mm		1
22	1556350	Seat cushion 380mm x 500mm		1
23	1556352	Seat cushion 400mm x 400mm		1
24	1556353	Seat cushion 400mm x 420mm		1
25	1556354	Seat cushion 400mm x 440mm		1
26	1556355	Seat cushion 400mm x 460mm		1
27	1556356	Seat cushion 400mm x 480mm		1
28	1556357	Seat cushion 400mm x 500mm		1
29	1556360	Seat cushion 420mm x 440mm		1
30	1556361	Seat cushion 420mm x 460mm		1
31	1556362	Seat cushion 420mm x 480mm		1

Seat cushion standard

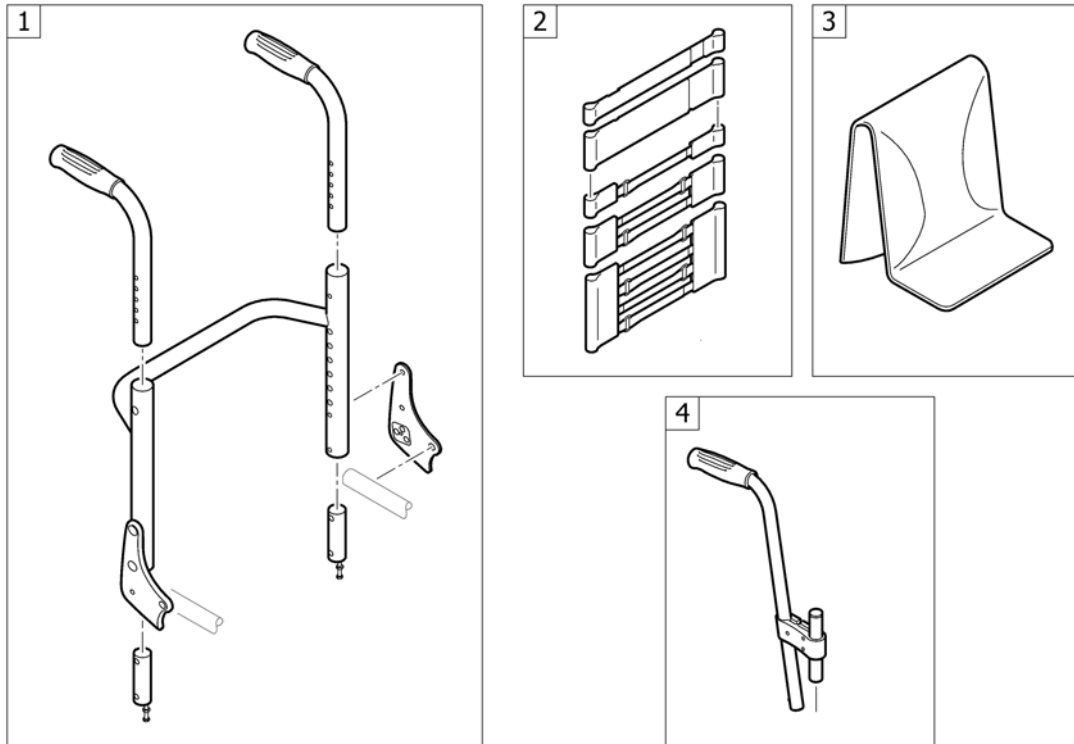
Pos.	Part number	Description	Valid from → until	Qty
32	1556363	Seat cushion 420mm x 500mm		1
33	1556365	Seat cushion 440mm x 440mm		1
34	1556366	Seat cushion 440mm x 460mm		1
35	1556367	Seat cushion 440mm x 480mm		1
36	1556368	Seat cushion 440mm x 500mm		1
37	1556370	Seat cushion 460mm x 460mm		1
38	1556371	Seat cushion 460mm x 480mm		1
39	1556372	Seat cushion 460mm x 500mm		1

Seat cushion Alcantara



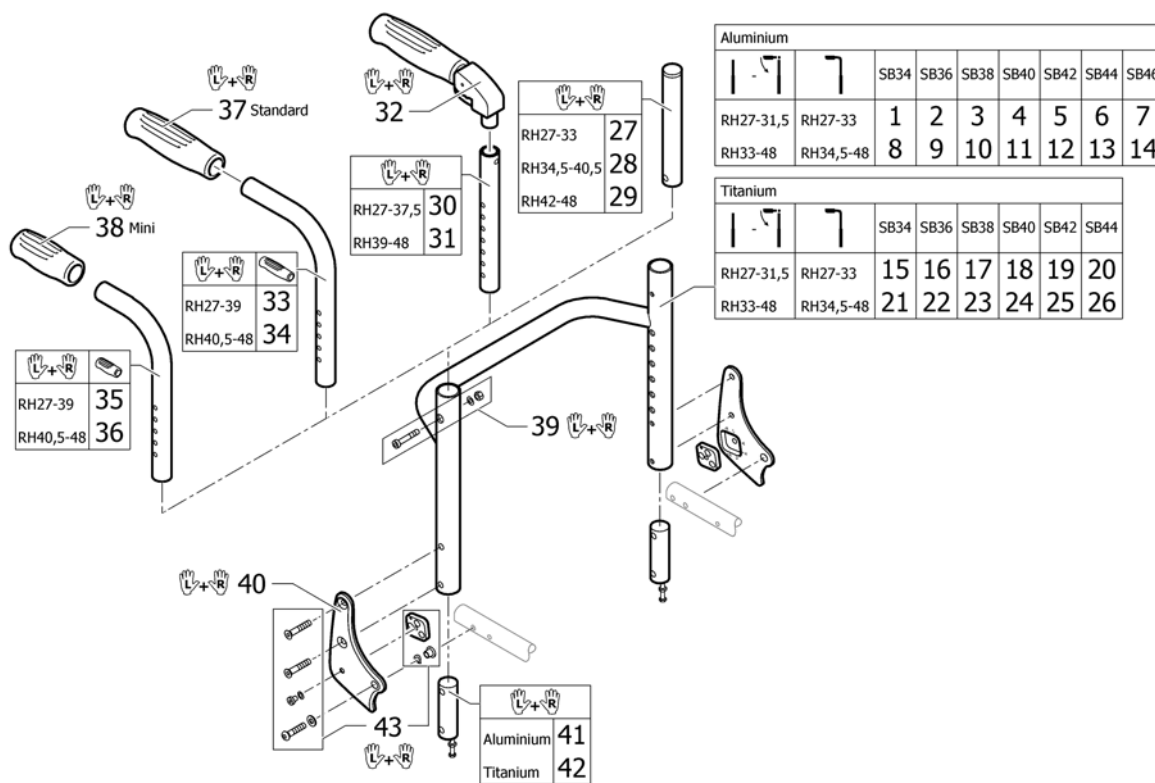
Pos.	Part number	Description	Valid from → until	Qty
1	1517144	Seat cushion SB34 ST37.5 Alcantara black R33		1
2	1517170	Seat cushion SB34 ST40 Alcantara black R33		1
3	1517176	Seat cushion SB34 ST42.5 Alcantara black R33		1
4	1517185	Seat cushion SB34 ST45 Alcantara black R33		1
5	1517145	Seat cushion SB36 ST37.5 Alcantara black R33		1
6	1517171	Seat cushion SB36 ST40 Alcantara black R33		1
7	1517177	Seat cushion SB36 ST42.5 Alcantara black R33		1
8	1517186	Seat cushion SB36 ST45 Alcantara black R33		1
9	1517146	Seat cushion SB38 ST37.5 Alcantara black R33		1
10	1517172	Seat cushion SB38 ST40 Alcantara black R33		1
11	1517178	Seat cushion SB38 ST42.5 Alcantara black R33		1
12	1517187	Seat cushion SB38 ST45 Alcantara black R33		1
13	1517147	Seat cushion SB40 ST37.5 Alcantara black R33		1
14	1517173	Seat cushion SB40 ST40 Alcantara black R33		1
15	1517182	Seat cushion SB40 ST42.5 Alcantara black R33		1
16	1517188	Seat cushion SB40 ST45 Alcantara black R33		1
17	1517148	Seat cushion SB42 ST37.5 Alcantara black R33		1
18	1517174	Seat cushion SB42 ST40 Alcantara black R33		1
19	1517183	Seat cushion SB42 ST42.5 Alcantara black R33		1
20	1517189	Seat cushion SB42 ST45 Alcantara black R33		1
21	1517169	Seat cushion SB44 ST37.5 Alcantara black R33		1
22	1517175	Seat cushion SB44 ST40 Alcantara black R33		1
23	1517184	Seat cushion SB44 ST42.5 Alcantara black R33		1
24	1517190	Seat cushion SB44 ST45 Alcantara black R33		1

BACKREST



Pos.	Part number	Description	Valid from → until	Qty
1	-	Backrest	2005-09-01 → 2012-12-31	1
2	-	Bands to adjustable backrest	2005-09-01 → 2012-12-31	1
3	-	Cover to adjustable backrest	2005-09-01 → 2012-12-31	1
4	-	Push handles, height adjustable, rear set	2005-09-01 → 2012-12-31	1

Backrest

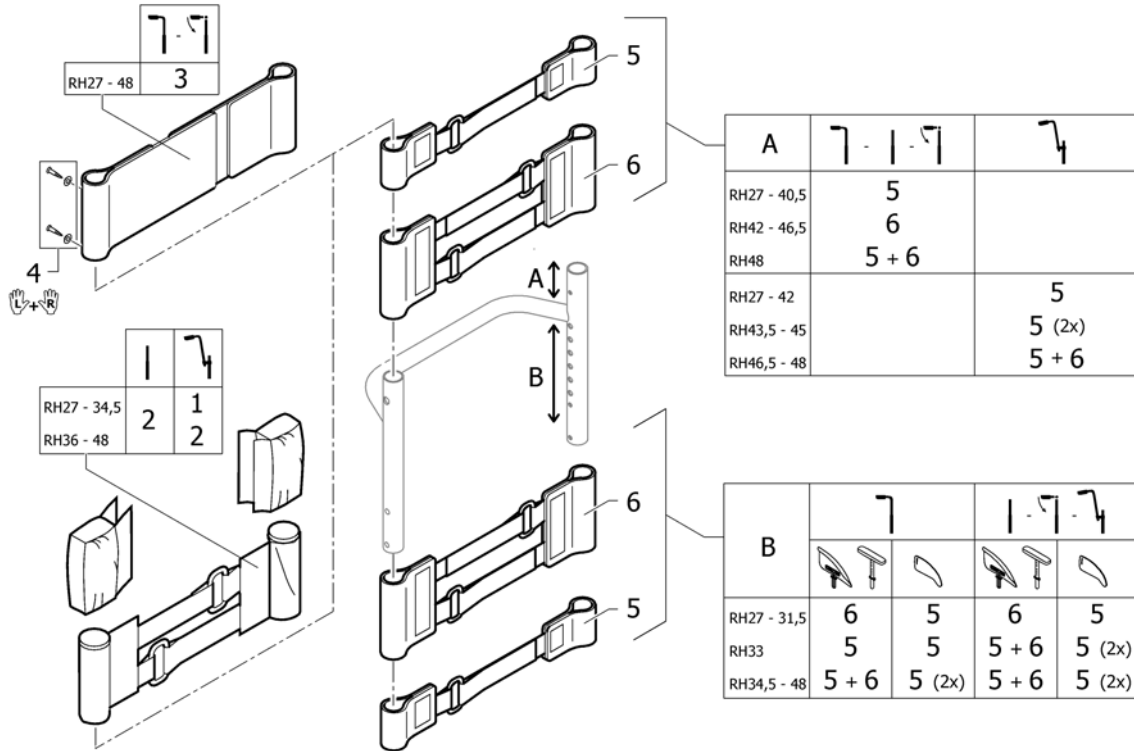


Pos.	Part number	Description	Valid from → until	Qty
1	1491119	Backrest tube Alu SB34 short		1
2	1491120	Backrest tube Alu SB36 short		1
3	1491121	Backrest tube Alu SB38 short		1
4	1491122	Backrest tube Alu SB40 short		1
5	1491214	Backrest tube Alu SB42 short		1
6	1492134	Backrest tube Alu SB44 short		1
7	1507504	Backrest tube Alu SB46 short	2007-01-01 →	1
8	1491091	Backrest tube Alu SB34 Long		1
9	1491092	Backrest tube Alu SB36 Long		1
10	1451787	Backrest tube Alu SB38 Long		1
11	1451788	Backrest tube Alu SB40 Long		1
12	1451789	Backrest tube Alu SB42 Long		1
13	1451790	Backrest tube Alu SB44 Long		1
14	1507503	Backrest tube Alu SB46 Long	2007-01-01 →	1
15	1451792	Backrest tube Titan SB34 short		1
16	1451793	Backrest tube Titan SB36 short		1
17	1485517	Backrest tube Titan SB38 short		1
18	1485518	Backrest tube Titan SB40 short		1
19	1484827	Backrest tube Titan SB42 short		1
20	1488996	Backrest tube Titan SB44 short		1
21	1488997	Backrest tube Titan SB34 Long		1
22	1488998	Backrest tube Titan SB36 Long		1
23	1488999	Backrest tube Titan SB38 Long		1
24	1489000	Backrest tube Titan SB40 Long		1
25	1489001	Backrest tube Titan SB42 Long		1
26	1489002	Backrest tube Titan SB44 Long		1
27	1511524	Telescopic back tube standard short, pair		1
28	1511525	Telescopic back tube standard medium, pair		1
29	1511526	Telescopic back tube standard long, pair		1
30	1524956	Telescopic tube short for pushhandle foldable, pair		1
31	1525121	Telescopic tube medium for pushhandle foldable, pair		1

Backrest

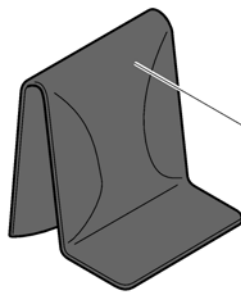
Pos.	Part number	Description	Valid from → until	Qty
32	1507733	Push handles foldable, pair		1
33	1525122	Backrest tube standard, short, pair		1
34	1525123	Backrest tube standard, long, pair		1
35	1525124	Backrest tube mini, short, pair	2009-01-01 →	1
36	1525125	Backrest tube mini, long, pair	2009-01-01 →	1
37	1507734	Handle black, pair		1
38	1525126	Handle black, mini, pair	2009-01-01 →	1
39	1509136	Screw kit for backrest tube		1
40	1487963-0004	Backrest joint plate, pair, black anodized		1
40	1487963-0400	Backrest joint plate, pair, techno-anthrazit		1
40	1487963-0401	Backrest joint plate, pair, lemon		1
40	1487963-0402	Backrest joint plate, pair, apricot		1
40	1487963-0404	Backrest joint plate, pair, b-blue		1
40	1487963-0440	Backrest joint plate, pair, comet red	2007-01-01 →	1
40	1487963-0441	Backrest joint plate, pair, arctic blue	2010-01-01 →	1
40	1487963-0444	Backrest joint plate, pair, copper glaze	2009-01-01 →	1
41	1487962	Sleeves for backrest tube alu, pair complete		1
42	1505352	Sleeves for backrest tube Titan, pair complete		1
43	1487964	Fixation kit to backrest joint		1

Bands to adjustable backrest



Pos.	Part number	Description	Valid from → until	Qty
1	1513172	Velcro end part, 5 cm <i>Replaces 1416975</i>		1
2	1513173	Velcro end part, 10cm <i>Replaces 1416974</i>		1
3	1513171	Backrest band 2 parts, width: 10cm <i>Replaces 709.1018</i>		1
4	1432083	Fixation kit for backrest band		1
5	1513167	Velcro adjustment part with 1 strap, pair <i>Replaces 1439291</i>		1
6	1513168	Velcro adjustment strap with 2 straps, pair <i>Replaces 707.1088</i>		1

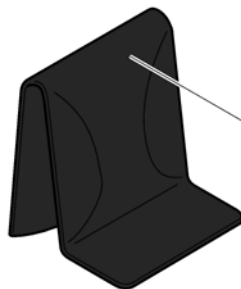
Cover to adjustable backrest



Standard	SB34	SB36-38	SB40-42	SB44-46
RH27-33	1	2	3	4
RH34,5-40,5	5	6	7	8
RH42-48	9	10	11	12



AeroBack	SB34	SB36-38	SB40-42	SB44-46
RH27-33	13	14	15	16
RH34,5-40,5	17	18	19	20
RH42-48	21	22	23	24



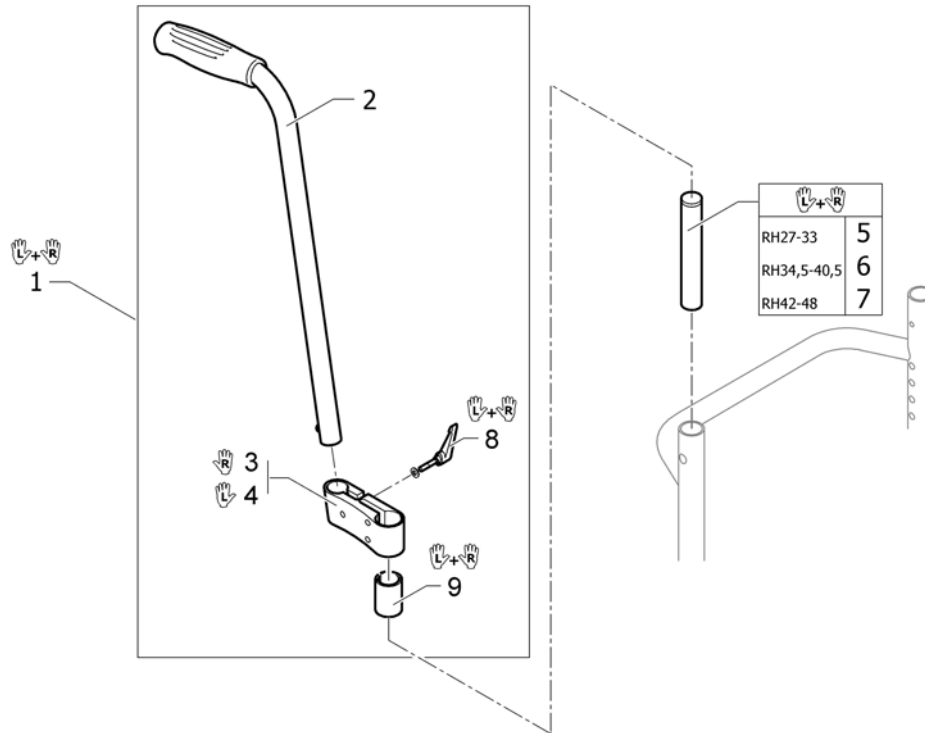
Alcantara	SB34	SB36-38	SB40-42	SB44-46
RH27-33	25	26	27	28
RH34,5-40,5	29	30	31	32
RH42-48	33	34	35	36

Pos.	Part number	Description	Valid from → until	Qty
1	1512137	Cover to adjustable backrest, SB32-34, short <i>Replaces 1438884</i>		1
2	1512138	Cover to adjustable backrest, SB36-38, short <i>Replaces 1438886</i>		1
3	1512139	Cover to adjustable backrest, SB40-42, short <i>Replaces 1438888</i>		1
4	1512140	Cover to adjustable backrest, SB44-46, short <i>Replaces 1438890</i>		1
5	1512144	Cover to adjustable backrest, SB32-34, medium <i>Replaces 1432010</i>		1
6	1512145	Cover to adjustable backrest, SB36-38, medium <i>Replaces 1432012</i>		1
7	1512146	Cover to adjustable backrest, SB40-42, medium <i>Replaces 1432014</i>		1
8	1512147	Cover to adjustable backrest, SB44-46, medium <i>Replaces 1438893</i>		1
9	1512151	Cover to adjustable backrest, SB32-34, long <i>Replaces 1432016</i>		1
10	1512152	Cover to adjustable backrest, SB36-38, long <i>Replaces 1432018</i>		1
11	1512153	Cover to adjustable backrest, SB40-42, long <i>Replaces 1432020</i>		1
12	1512154	Cover to adjustable backrest, SB44-46, long <i>Replaces 1438896</i>		1
13	1512156	Cover 'Aero' to adjustable backrest, SB32-34, short <i>Replaces 1438446</i>		1
14	1512157	Cover 'Aero' to adjustable backrest, SB36-38, short <i>Replaces 1438448</i>		1
15	1512158	Cover 'Aero' to adjustable backrest, SB40-42, short <i>Replaces 1438450</i>		1
16	1512159	Cover 'Aero' to adjustable backrest, SB44-46, short <i>Replaces 1438452</i>		1
17	1512161	Cover 'Aero' to adjustable backrest, SB32-34, medium <i>Replaces 1438455</i>		1
18	1512162	Cover 'Aero' to adjustable backrest, SB36-38, medium <i>Replaces 1438457</i>		1

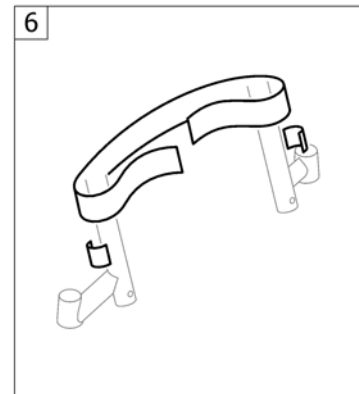
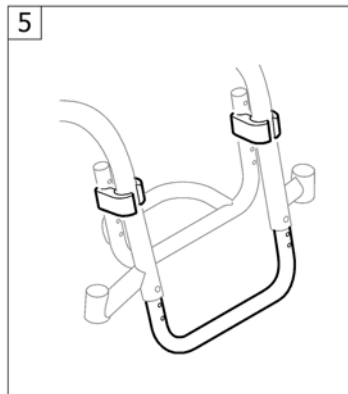
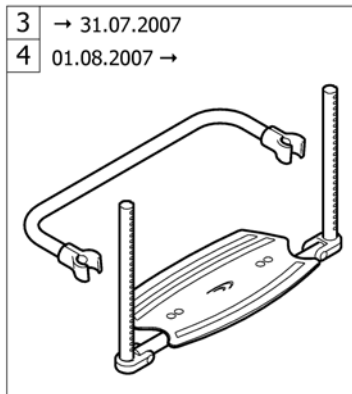
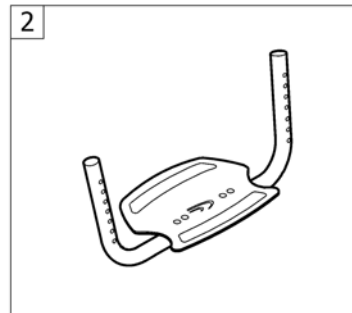
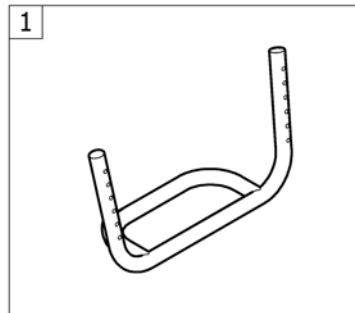
Cover to adjustable backrest

Pos.	Part number	Description	Valid from → until	Qty
19	1512163	Cover 'Aero' to adjustable backrest, SB40-42, medium <i>Replaces 1438459</i>		1
20	1512164	Cover 'Aero' to adjustable backrest, SB44-46, medium <i>Replaces 1438461</i>		1
21	1512166	Cover 'Aero' to adjustable backrest, SB32-34, long <i>Replaces 1438464</i>		1
22	1512167	Cover 'Aero' to adjustable backrest, SB36-38, long <i>Replaces 1438466</i>		1
23	1512168	Cover 'Aero' to adjustable backrest, SB40-42, long <i>Replaces 1438468</i>		1
24	1512169	Cover 'Aero' to adjustable backrest, SB44-46, long <i>Replaces 1438470</i>		1
25	1517466	Cover to adjustable backrest Alcantara black SB 34 short <i>Replaces 1497136</i>		1
26	1517467	Cover to adjustable backrest Alcantara black SB 36-38 short <i>Replaces 1497137</i>		1
27	1517468	Cover to adjustable backrest Alcantara black SB 40-42 short <i>Replaces 1497138</i>		1
28	1517469	Cover to adjustable backrest Alcantara black SB 44-46 short <i>Replaces 1497139</i>		1
29	1517470	Cover to adjustable backrest Alcantara black SB 34 medium <i>Replaces 1497140</i>		1
30	1517471	Cover to adjustable backrest Alcantara black SB 36-38 medium <i>Replaces 1497141</i>		1
31	1517472	Cover to adjustable backrest Alcantara black SB 40-42 medium <i>Replaces 1497142</i>		1
32	1517473	Cover to adjustable backrest Alcantara black SB 44-46 medium <i>Replaces 1497143</i>		1
33	1517474	Cover to adjustable backrest Alcantara black SB 34 long <i>Replaces 1497153</i>		1
34	1517475	Cover to adjustable backrest Alcantara black SB 36-38 long <i>Replaces 1497154</i>		1
35	1517476	Cover to adjustable backrest Alcantara black SB 40-42 long <i>Replaces 1497155</i>		1
36	1517477	Cover to adjustable backrest Alcantara black SB 44-46 long <i>Replaces 1497156</i>		1

Push handles, height adjustable, rear set



Pos.	Part number	Description	Valid from → until	Qty
1	1517876	Push handles, height adjustable, rear set, pair <i>Replaces 907.1157</i>		1
2	1438938	Push handle tube complete, rearset		2
3	1438939	Mounting fixture right complete, for rearset push handles		1
4	1438940	Mounting fixture left complete, for rearset push handles		1
5	1511524	Telescopic back tube standard short, pair		1
6	1511525	Telescopic back tube standard medium, pair		1
7	1511526	Telescopic back tube standard long, pair		1
8	1529799	Adjusting lever, pair		1
9	1581293	Sleeves for mounting fixture, for rearset push handles, pair		1



Pos.	Part number	Description	Valid from → until	Qty
1	-	Footrest standard	2005-09-01 → 2012-12-31	1
2	-	Footrest angle adjustable	2005-09-01 → 2012-12-31	1
4	-	Footrest flip-to-side 01.08.2007=>	2007-08-01 → 2012-12-31	1
5	-	Footrest set high mounted	2005-09-01 → 2012-12-31	1
6	-	Calf strap	2005-09-01 → 2012-12-31	1

Footrest standard

	SB34	SB36	SB38	SB40	SB42	SB44	SB46
Aluminium	105	106	107	108	109	110	111
Titanium	112	113	114	115	116	117	-

Aluminium	Aluminium	Aluminium	118
Carbon	Titanium	Titanium	119
Titanium	Aluminium	Aluminium	120
	Titanium	Titanium	119

Frame		SB34	SB36	SB38	SB40	SB42	SB44	SB46
	Aluminium	1	2	3	4	5	6	7
	Titanium	8	9	10	11	12	13	-
	Aluminium	14	15	16	17	18	19	20
	Titanium	21	22	23	24	25	26	-
	Aluminium	27	28	29	30	31	32	33
	Titanium	34	35	36	37	38	39	-
	Aluminium	40	41	42	43	44	45	46
	Titanium	47	48	49	50	51	52	-

Frame		SB34	SB36	SB38	SB40	SB42	SB44	SB46
	Aluminium	53	54	55	56	57	58	59
	Titanium	60	61	62	63	64	65	-
	Aluminium	66	67	68	69	70	71	72
	Titanium	73	74	75	76	77	78	-
	Aluminium	79	80	81	82	83	84	85
	Titanium	86	87	88	89	90	91	-
	Aluminium	92	93	94	95	96	97	98
	Titanium	99	100	101	102	103	104	-

Pos.	Part number	Description	Valid from → until	Qty
1	1517784	Footrest K4 Aluminium with plate complete SB34		1
2	1517785	Footrest K4 Aluminium with plate complete SB36		1
3	1517786	Footrest K4 Aluminium with plate complete SB38		1
4	1517787	Footrest K4 Aluminium with plate complete SB40		1
5	1517788	Footrest K4 Aluminium with plate complete SB42		1
6	1517789	Footrest K4 Aluminium with plate complete SB44		1
7	1517790	Footrest K4 Aluminium with plate complete SB46		1
8	1517791	Footrest K4 Titanium with plate complete SB34		1
9	1517792	Footrest K4 Titanium with plate complete SB36		1
10	1517793	Footrest K4 Titanium with plate complete SB38		1
11	1517794	Footrest K4 Titanium with plate complete SB40		1
12	1517795	Footrest K4 Titanium with plate complete SB42		1
13	1517796	Footrest K4 Titanium with plate complete SB44		1
14	1544559	Footrest K4 Aluminium with plate complete SB34 to titanium frames		1
15	1544560	Footrest K4 Aluminium with plate complete SB36 to titanium frames		1
16	1544561	Footrest K4 Aluminium with plate complete SB38 to titanium frames		1
17	1544562	Footrest K4 Aluminium with plate complete SB40 to titanium frames		1
18	1544563	Footrest K4 Aluminium with plate complete SB42 to titanium frames		1
19	1544564	Footrest K4 Aluminium with plate complete SB44 to titanium frames		1
20	1544565	Footrest K4 Aluminium with plate complete SB46 to titanium frames		1
21	1544566	Footrest K4 Titanium with plate complete SB34 to titanium frames		1
22	1544567	Footrest K4 Titanium with plate complete SB36 to titanium frames		1
23	1544568	Footrest K4 Titanium with plate complete SB38 to titanium frames		1
24	1544569	Footrest K4 Titanium with plate complete SB40 to titanium frames		1
25	1544570	Footrest K4 Titanium with plate complete SB42 to titanium frames		1
26	1544571	Footrest K4 Titanium with plate complete SB44 to titanium frames		1
27	1517797	Footrest AirLite Aluminium with plate complete SB34		1
28	1517798	Footrest AirLite Aluminium with plate complete SB36		1
29	1517799	Footrest AirLite Aluminium with plate complete SB38		1
30	1517800	Footrest AirLite Aluminium with plate complete SB40		1
31	1517801	Footrest AirLite Aluminium with plate complete SB42		1

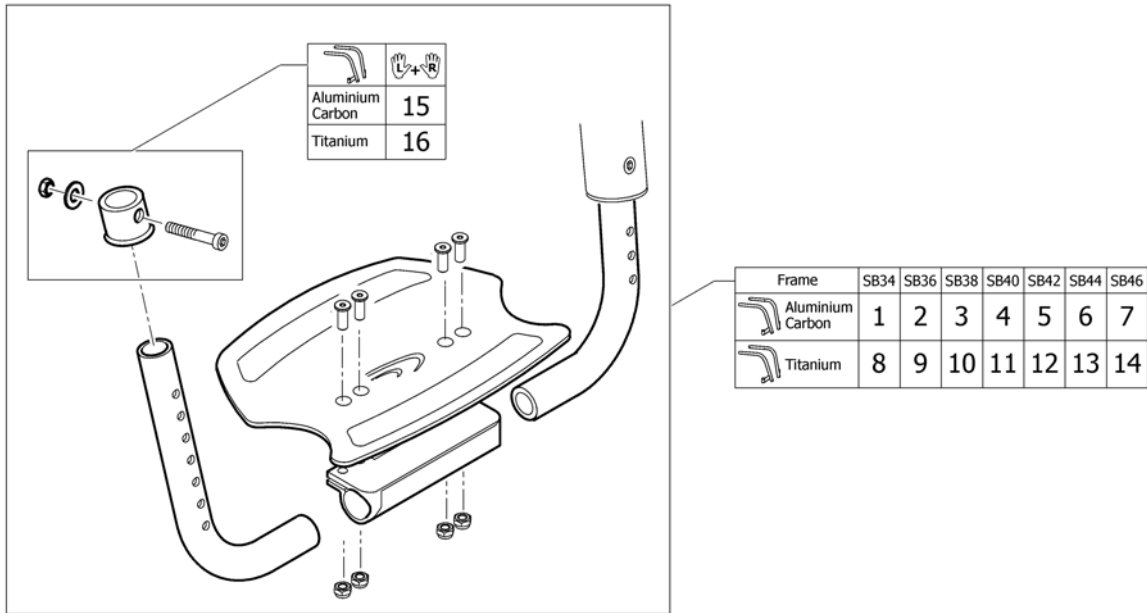
Footrest standard

Pos.	Part number	Description	Valid from → until	Qty
32	1517802	Footrest AirLite Aluminium with plate complete SB44		1
33	1517803	Footrest AirLite Aluminium with plate complete SB46		1
34	1517804	Footrest AirLite Titanium with plate complete SB34		1
35	1517805	Footrest AirLite Titanium with plate complete SB36		1
36	1517806	Footrest AirLite Titanium with plate complete SB38		1
37	1517807	Footrest AirLite Titanium with plate complete SB40		1
38	1517808	Footrest AirLite Titanium with plate complete SB42		1
39	1517809	Footrest AirLite Titanium with plate complete SB44		1
40	1544572	Footrest AirLite Aluminium with plate complete SB34 to titanium frames		1
41	1544573	Footrest AirLite Aluminium with plate complete SB36 to titanium frames		1
42	1544574	Footrest AirLite Aluminium with plate complete SB38 to titanium frames		1
43	1544575	Footrest AirLite Aluminium with plate complete SB40 to titanium frames		1
44	1544576	Footrest AirLite Aluminium with plate complete SB42 to titanium frames		1
45	1544577	Footrest AirLite Aluminium with plate complete SB44 to titanium frames		1
46	1544578	Footrest AirLite Aluminium with plate complete SB46 to titanium frames		1
47	1544579	Footrest AirLite Titanium with plate complete SB34 to titanium frames		1
48	1544580	Footrest AirLite Titanium with plate complete SB36 to titanium frames		1
49	1544581	Footrest AirLite Titanium with plate complete SB38 to titanium frames		1
50	1544582	Footrest AirLite Titanium with plate complete SB40 to titanium frames		1
51	1544583	Footrest AirLite Titanium with plate complete SB42 to titanium frames		1
52	1544584	Footrest AirLite Titanium with plate complete SB44 to titanium frames		1
53	1486541	Footrest K4 Aluminium complete SB34		1
54	1486542	Footrest K4 Aluminium complete SB36		1
55	1486543	Footrest K4 Aluminium complete SB38		1
56	1484672	Footrest K4 Aluminium complete SB40		1
57	1484673	Footrest K4 Aluminium complete SB42		1
58	1485846	Footrest K4 Aluminium complete SB44		1
59	1506952	Footrest K4 Aluminium complete SB46		1
60	1485853	Footrest K4 Titanium complete SB34		1
61	1485854	Footrest K4 Titanium complete SB36		1
62	1485855	Footrest K4 Titanium complete SB38		1
63	1485856	Footrest K4 Titanium complete SB40		1
64	1485857	Footrest K4 Titanium complete SB42		1
65	1485858	Footrest K4 Titanium complete SB44		1
66	1544425	Footrest K4 Aluminium complete SB34 to titanium frames		1
67	1544426	Footrest K4 Aluminium complete SB36 to titanium frames		1
68	1544427	Footrest K4 Aluminium complete SB38 to titanium frames		1
69	1544428	Footrest K4 Aluminium complete SB40 to titanium frames		1
70	1544429	Footrest K4 Aluminium complete SB42 to titanium frames		1
71	1544430	Footrest K4 Aluminium complete SB44 to titanium frames		1
72	1544431	Footrest K4 Aluminium complete SB46 to titanium frames		1
73	1544432	Footrest K4 Titanium complete SB34 to titanium frames		1
74	1544433	Footrest K4 Titanium complete SB36 to titanium frames		1
75	1544434	Footrest K4 Titanium complete SB38 to titanium frames		1
76	1544543	Footrest K4 Titanium complete SB40 to titanium frames		1
77	1544544	Footrest K4 Titanium complete SB42 to titanium frames		1
78	1544545	Footrest K4 Titanium complete SB44 to titanium frames		1
79	1485847	Footrest AirLite Aluminium complete SB34		1
80	1485848	Footrest AirLite Aluminium complete SB36		1
81	1485849	Footrest AirLite Aluminium complete SB38		1
82	1485850	Footrest AirLite Aluminium complete SB40		1
83	1485851	Footrest AirLite Aluminium complete SB42		1
84	1485852	Footrest AirLite Aluminium complete SB44		1
85	1506953	Footrest AirLite Aluminium complete SB46		1
86	1485859	Footrest AirLite Titanium complete SB34		1

Footrest standard

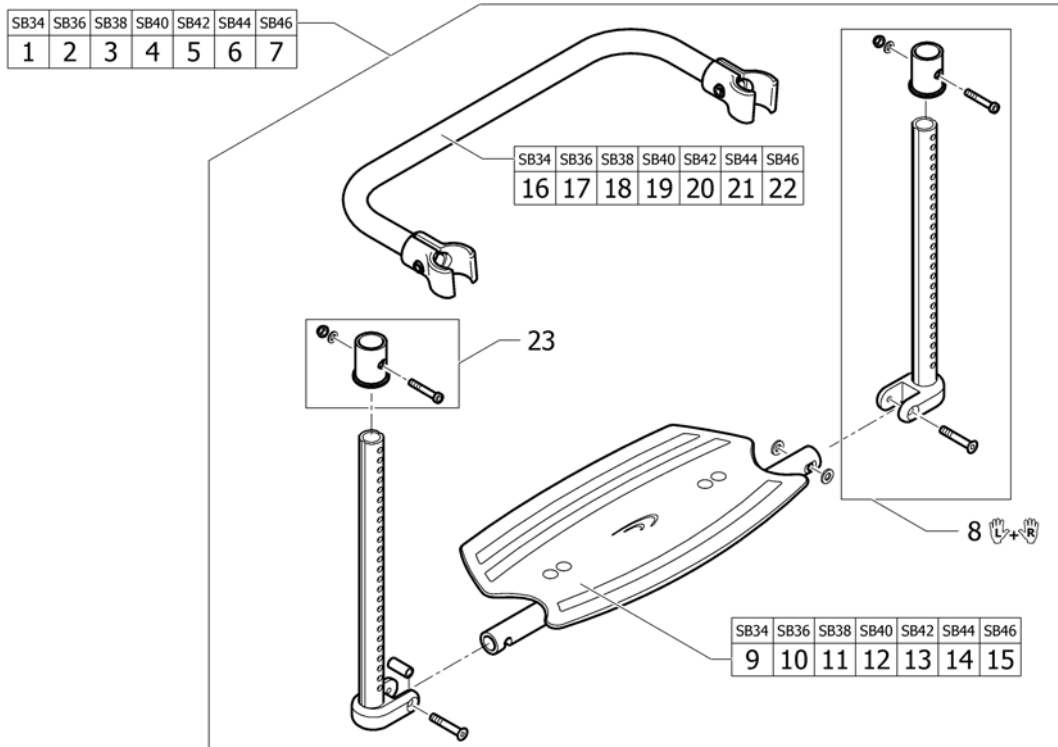
Pos.	Part number	Description	Valid from → until	Qty
87	1485860	Footrest AirLite Titanium complete SB36		1
88	1485861	Footrest AirLite Titanium complete SB38		1
89	1485862	Footrest AirLite Titanium complete SB40		1
90	1485863	Footrest AirLite Titanium complete SB42		1
91	1485864	Footrest AirLite Titanium complete SB44		1
92	1544546	Footrest AirLite Aluminium complete SB34 to titanium frames		1
93	1544547	Footrest AirLite Aluminium complete SB36 to titanium frames		1
94	1544548	Footrest AirLite Aluminium complete SB38 to titanium frames		1
95	1544549	Footrest AirLite Aluminium complete SB40 to titanium frames		1
96	1544550	Footrest AirLite Aluminium complete SB42 to titanium frames		1
97	1544551	Footrest AirLite Aluminium complete SB44 to titanium frames		1
98	1544552	Footrest AirLite Aluminium complete SB46 to titanium frames		1
99	1544553	Footrest AirLite Titanium complete SB34 to titanium frames		1
100	1544554	Footrest AirLite Titanium complete SB36 to titanium frames		1
101	1544555	Footrest AirLite Titanium complete SB38 to titanium frames		1
102	1544556	Footrest AirLite Titanium complete SB40 to titanium frames		1
103	1544557	Footrest AirLite Titanium complete SB42 to titanium frames		1
104	1544558	Footrest AirLite Titanium complete SB44 to titanium frames		1
105	1485865	Footplate Aluminium SB34		1
106	1485866	Footplate Aluminium SB36		1
107	1485867	Footplate Aluminium SB38		1
108	1485868	Footplate Aluminium SB40		1
109	1485869	Footplate Aluminium SB42		1
110	1485870	Footplate Aluminium SB44		1
111	1506950	Footplate Aluminium SB46		1
112	1484304	Footplate Titanium SB34		1
113	1484289	Footplate Titanium SB36		1
114	1484290	Footplate Titanium SB38		1
115	1484291	Footplate Titanium SB40		1
116	1484292	Footplate Titanium SB42		1
117	1484293	Footplate Titanium SB44		1
118	1451716	Footplate sleeve Alu		1
119	1451717	Footplate sleeve Titanium		1
120	1544585	Footplate sleeve Alu to titanium frames		1

Footrest angle adjustable



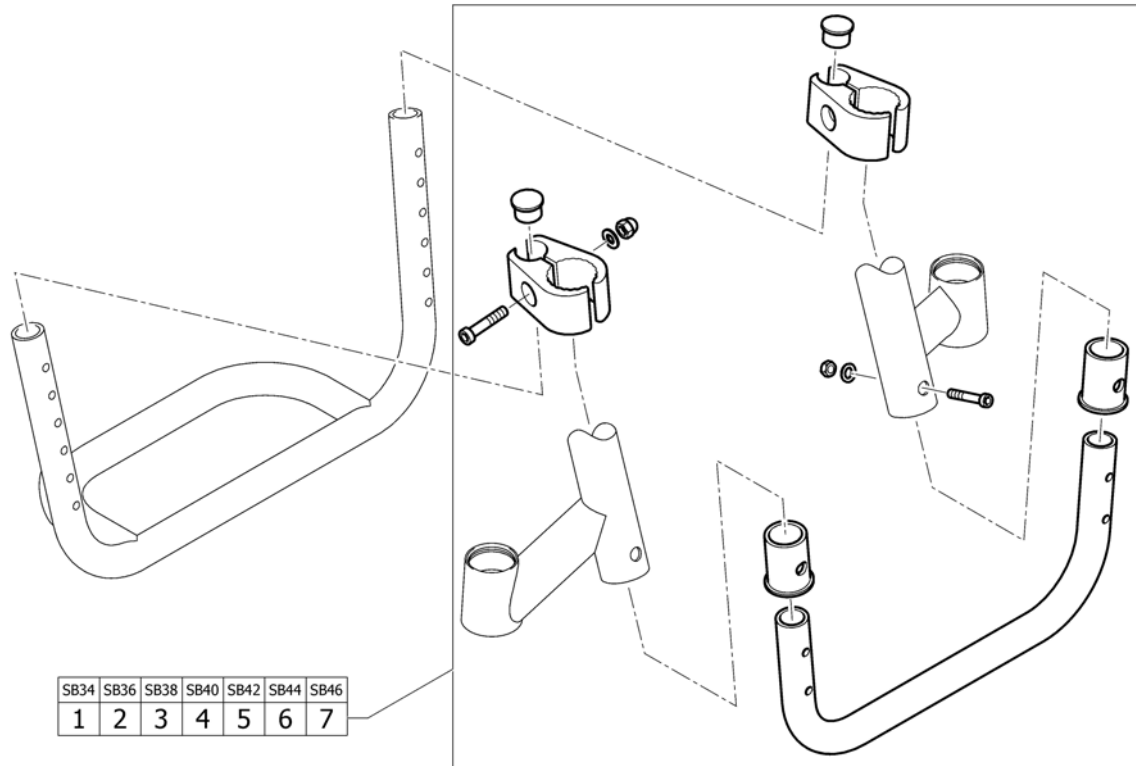
Pos.	Part number	Description	Valid from → until	Qty
1	1484300	Footrest angle adjustable complete SB34		1
2	1484301	Footrest angle adjustable complete SB36		1
3	1484302	Footrest angle adjustable complete SB38		1
4	1484303	Footrest angle adjustable complete SB40		1
5	1451714	Footrest angle adjustable complete SB42		1
6	1451715	Footrest angle adjustable complete SB44		1
7	1506954	Footrest angle adjustable complete SB46		1
8	1544586	Footrest angle adjustable complete SB34 to titanium frames		1
9	1544587	Footrest angle adjustable complete SB36 to titanium frames		1
10	1544588	Footrest angle adjustable complete SB38 to titanium frames		1
11	1544589	Footrest angle adjustable complete SB40 to titanium frames		1
12	1544590	Footrest angle adjustable complete SB42 to titanium frames		1
13	1544591	Footrest angle adjustable complete SB44 to titanium frames		1
14	1544592	Footrest angle adjustable complete SB46 to titanium frames		1
15	1451716	Footplate sleeve Alu		1
16	1544585	Footplate sleeve Alu to titanium frames		1

Footrest flip-to-side 01.08.2007=>



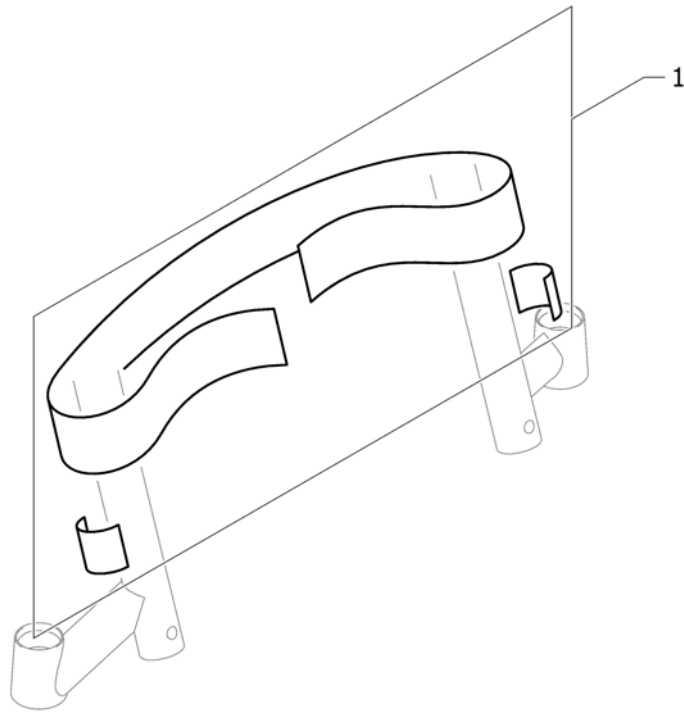
Pos.	Part number	Description	Valid from → until	Qty
1	1511536	Footrest flip-to-side SB34 complete <i>Replaces 1495461</i>		1
2	1511537	Footrest flip-to-side SB36 complete <i>Replaces 1495462</i>		1
3	1511538	Footrest flip-to-side SB38 complete <i>Replaces 1495463</i>		1
4	1511539	Footrest flip-to-side SB40 complete <i>Replaces 1495464</i>		1
5	1511540	Footrest flip-to-side SB42 complete <i>Replaces 1495465</i>		1
6	1511541	Footrest flip-to-side SB44 complete <i>Replaces 1495466</i>		1
7	1511542	Footrest flip-to-side SB46 complete	2007-01-01 →	1
8	1511550	Telescopic tube kit to footrest flip-to-side	2007-08-01 →	1
9	1511543	Footplate to footrest flip-to-side SB34	2007-08-01 →	1
10	1511544	Footplate to footrest flip-to-side SB36	2007-08-01 →	1
11	1511545	Footplate to footrest flip-to-side SB38	2007-08-01 →	1
12	1511546	Footplate to footrest flip-to-side SB40	2007-08-01 →	1
13	1511547	Footplate to footrest flip-to-side SB42	2007-08-01 →	1
14	1511548	Footplate to footrest flip-to-side SB44	2007-08-01 →	1
15	1511549	Footplate to footrest flip-to-side SB46	2007-08-01 →	1
16	1495467	Reinforcement bar SB34 to Footrest flip to side		1
17	1495468	Reinforcement bar SB36 to Footrest flip to side		1
18	1495469	Reinforcement bar SB38 to Footrest flip to side		1
19	1495470	Reinforcement bar SB40 to Footrest flip to side		1
20	1495471	Reinforcement bar SB42 to Footrest flip to side		1
21	1495472	Reinforcement bar SB44 to Footrest flip to side		1
22	1506957	Reinforcement bar SB46 to Footrest flip to side	2007-01-01 →	1
23	1451716	Footplate sleeve Alu		1

Footrest set high mounted

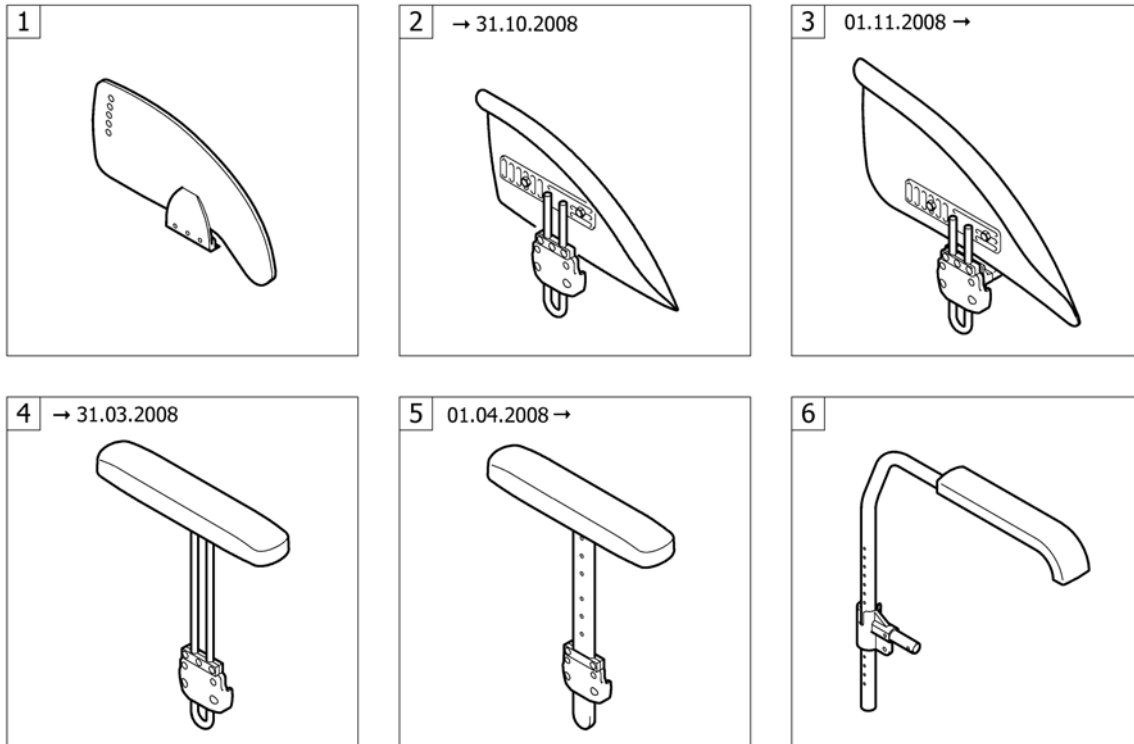


Pos.	Part number	Description	Valid from → until	Qty
1	1492823	Tube set for footrest, mounted in high position, SB34		1
2	1492881	Tube set for footrest, mounted in high position, SB36		1
3	1492957	Tube set for footrest, mounted in high position, SB38		1
4	1493321	Tube set for footrest, mounted in high position, SB40		1
5	1493322	Tube set for footrest, mounted in high position, SB42		1
6	1493323	Tube set for footrest, mounted in high position, SB44		1
7	1506958	Tube set for footrest, mounted in high position, SB46		1

Calf strap

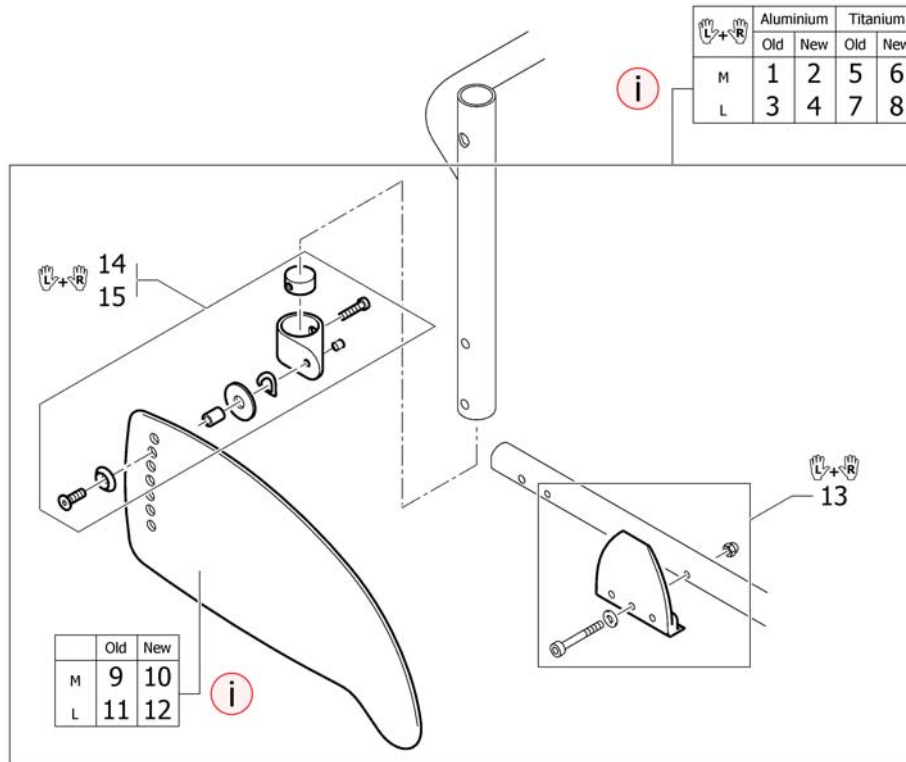


Pos.	Part number	Description	Valid from → until	Qty
1	1517817	Calfstrap black <i>Replaces 709.1008</i>		1

SIDERESTS

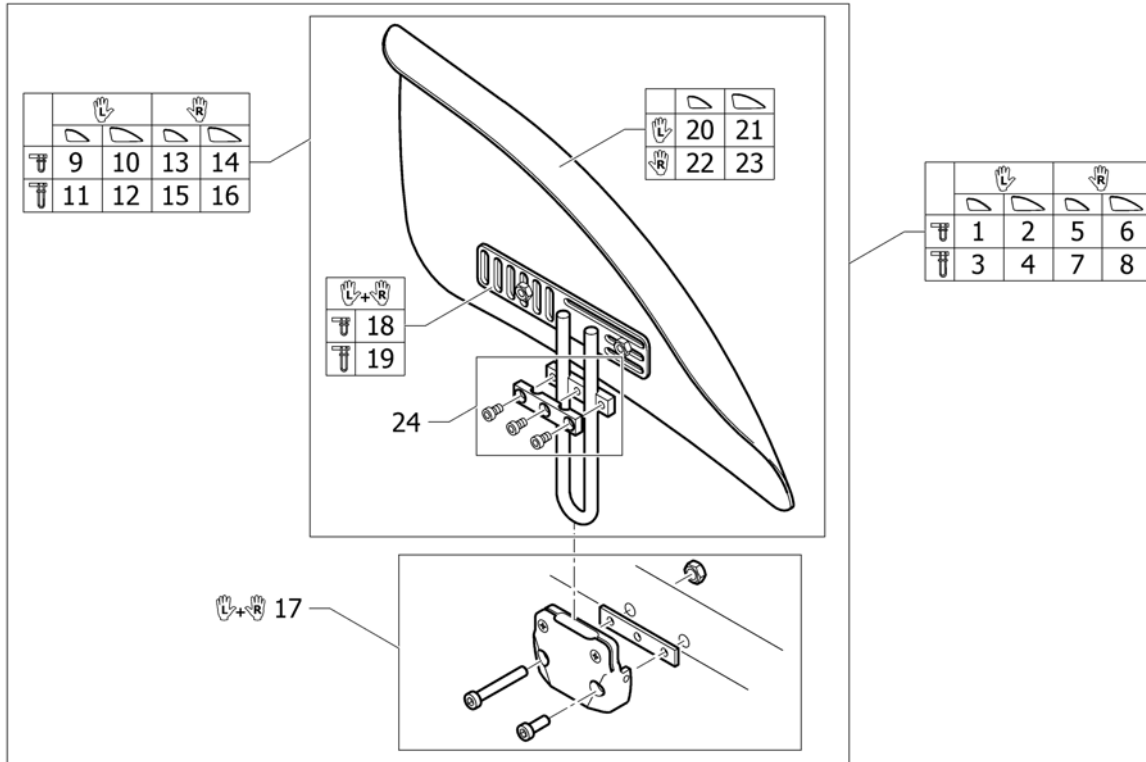
Pos.	Part number	Description	Valid from → until	Qty
1	-	Clothes-guards	2005-09-01 → 2012-12-31	1
3	-	Mudguards 01.11.2008=>	2008-11-01 → 2012-12-31	1
5	-	Siderest height adjustable 01.04.2008=>	2008-04-01 → 2012-12-31	1
6	-	Tubular armrest	2005-09-01 → 2012-12-31	1

Clothes-guards



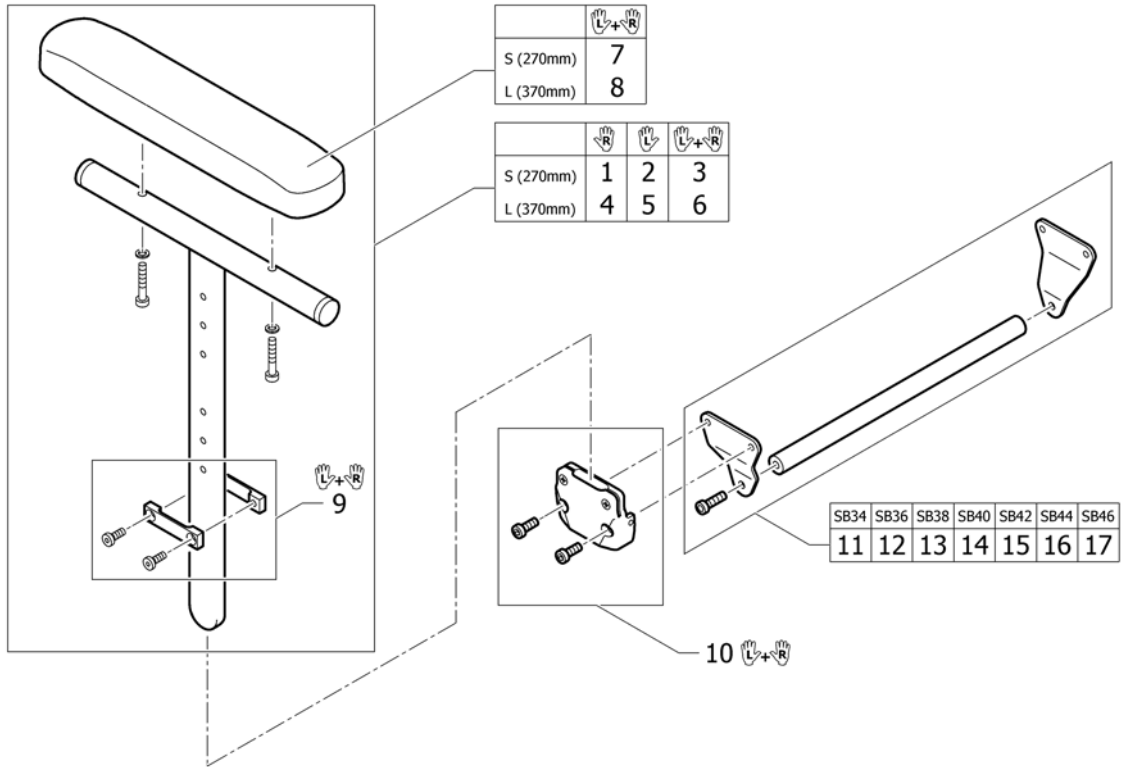
Pos.	Part number	Description	Valid from → until	Qty
i	-	New design with improved profile ensures better coverage. Recommended as a pair.		0
2	1527104	Clothes-guards Carbon M with fixation kit to backrest Aluminium, pair	2009-03-01 →	1
4	1527105	Clothes-guards Carbon L with fixation kit to backrest Aluminium, pair	2008-12-11 →	1
6	1527102	Clothes-guards Carbon M with fixation kit to backrest Titan, pair	2009-03-01 →	1
8	1527103	Clothes-guards Carbon L with fixation kit to backrest Titan, pair	2008-12-11 →	1
10	1527100	Clothes-guard Carbon M	2009-03-01 →	2
12	1527101	Clothes-guard Carbon L	2008-12-11 →	2
13	1486016	Fixation clothes-guard to frame, pair		1
14	1451722	Fixation kit clothes-guard to backrest Aluminium		1
15	1505390	Fixation kit clothes-guard to backrest Titanium		1

Mudguards 01.11.2008=>



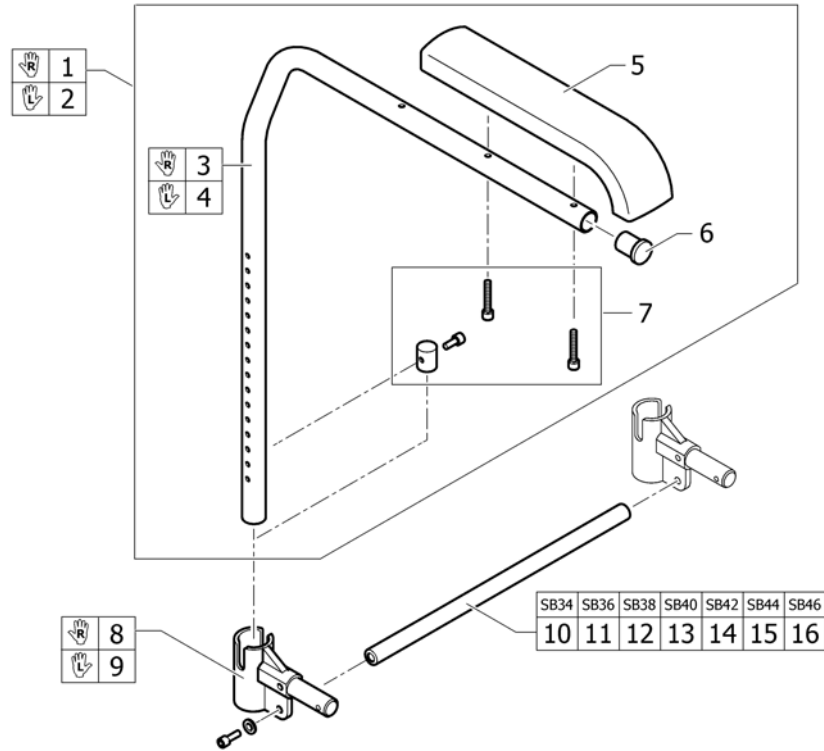
Pos.	Part number	Description	Valid from → until	Qty
1	1529308	Mudguard Carbon left M short complete	2008-11-01 →	1
2	1529309	Mudguard Carbon left L short complete	2008-11-01 →	1
3	1529312	Mudguard Carbon left M long complete	2008-11-01 →	1
4	1529313	Mudguard Carbon left L long complete	2008-11-01 →	1
5	1529310	Mudguard Carbon right M short complete	2008-11-01 →	1
6	1529311	Mudguard Carbon right L short complete	2008-11-01 →	1
7	1529314	Mudguard Carbon right M long complete	2008-11-01 →	1
8	1529315	Mudguard Carbon right L long complete	2008-11-01 →	1
9	1529300	Mudguard Carbon left M short	2008-11-01 →	1
10	1529301	Mudguard Carbon left L short	2008-11-01 →	1
11	1529304	Mudguard Carbon left M long	2008-11-01 →	1
12	1529305	Mudguard Carbon left L long	2008-11-01 →	1
13	1529302	Mudguard Carbon right M short	2008-11-01 →	1
14	1529303	Mudguard Carbon right L short	2008-11-01 →	1
15	1529306	Mudguard Carbon right M long	2008-11-01 →	1
16	1529307	Mudguard Carbon right L long	2008-11-01 →	1
17	1451727	Fixationset mudguard frame		1
18	1451728	Mudguard holder short, pair		1
19	1488459	Mudguard holder long, pair		1
20	1510275	Mudguard Carbon left M	2008-11-01 →	1
21	1510277	Mudguard Carbon left L	2008-11-01 →	1
22	1510276	Mudguard Carbon right M	2008-11-01 →	1
23	1510278	Mudguard Carbon right L	2008-11-01 →	1
24	1437465	Siderests height clamp kit, pair		1

Siderest height adjustable 01.04.2008=>



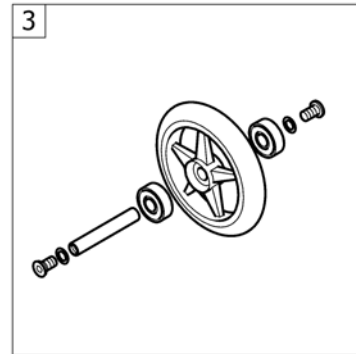
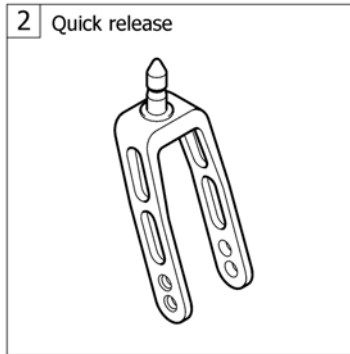
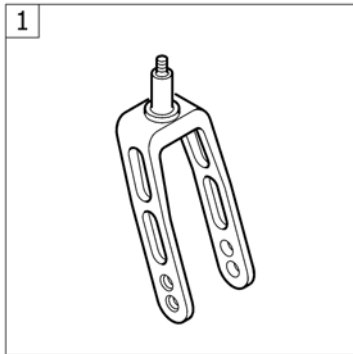
Pos.	Part number	Description	Valid from → until	Qty
1	1517677	Siderest height adjustable short, right		1
2	1517678	Siderest height adjustable short, left		1
3	1517682	Siderest height adjustable short, pair		1
4	1517679	Siderest height adjustable long, right		1
5	1517680	Siderest height adjustable long, left		1
6	1517683	Siderest height adjustable long, pair		1
7	1439497	Ampad S (270mm) incl. screws, pair		1
8	1439498	Ampad L (370mm) incl. screws, pair		1
9	1517681	Siderests height clamp kit, pair		1
10	1505391	Fixation Siderest-to-Frame, pair		1
11	1505433	Bracket kit for siderest SB34		1
12	1505434	Bracket kit for siderest SB36		1
13	1505561	Bracket kit for siderest SB38		1
14	1505562	Bracket kit for siderest SB40		1
15	1505563	Bracket kit for siderest SB42		1
16	1505564	Bracket kit for siderest SB44		1
17	1513405	Bracket kit for siderest SB46		1

Tubular armrest



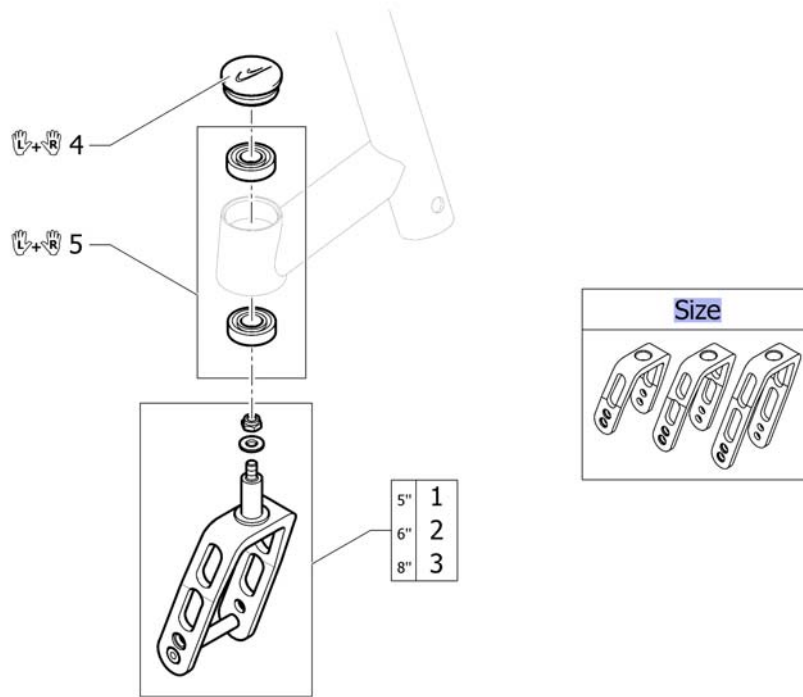
Pos.	Part number	Description	Valid from → until	Qty
1	913.1012	Armrest with standard cushion, right		1
2	913.1013	Armrest, with standard cushion, left		1
3	456.1111.956	Armrest tube, right		1
4	456.1112.956	Armrest tube, left		1
5	702.1004	Standard cushion, bent		2
6	220.1013	Tube plug Ø24mm		1
7	1451729	Boltset Armrest		1
8	1451730	Armrest adapter right incl. Fixation and cord		1
9	1451731	Armrest adapter left incl. Fixation and cord		1
10	1451732	Connection tube for armrest SB34		1
11	1451733	Connection tube for armrest SB36		1
12	1451734	Connection tube for armrest SB38		1
13	1451735	Connection tube for armrest SB40		1
14	1451736	Connection tube for armrest SB42		1
15	1451737	Connection tube for armrest SB44		1
16	1506959	Connection tube for armrest SB46		1

FRONT WHEELS



Pos.	Part number	Description	Valid from → until	Qty
1	-	Front forks standard	2005-09-01 → 2012-12-31	1
3	-	Front wheels	2005-09-01 → 2012-12-31	1

Front forks standard

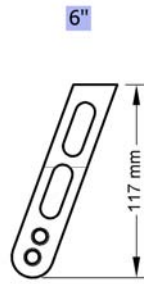


Pos.	Part number	Description	Valid from → until	Qty
Size	-	Configuration table for front fork size		0
1	1432004-0004	Front fork 5" with bolt, black anodized		2
1	1432004-0400	Front fork 5" with bolt, techno-anthrazit		2
1	1432004-0401	Front fork 5" with bolt, lemon		2
1	1432004-0402	Front fork 5" with bolt, apricot		2
1	1432004-0404	Front fork 5" with bolt, b-blue		2
1	1432004-0440	Front fork 5" with bolt, comet red	2007-01-01 →	2
1	1432004-0441	Front fork 5" with bolt, arctic blue	2010-01-01 →	2
1	1432004-0444	Front fork 5" with bolt, copper glaze	2009-01-01 →	2
2	1432005-0004	Front fork 6" with bolt, black anodized		2
2	1432005-0400	Front fork 6" with bolt, techno-anthrazit		2
2	1432005-0401	Front fork 6" with bolt, lemon		2
2	1432005-0402	Front fork 6" with bolt, apricot		2
2	1432005-0404	Front fork 6" with bolt, b-blue		2
2	1432005-0440	Front fork 6" with bolt, comet red	2007-01-01 →	2
2	1432005-0441	Front fork 6" with bolt, arctic blue	2010-01-01 →	2
2	1432005-0444	Front fork 6" with bolt, copper glaze	2009-01-01 →	2
3	1432006-0004	Front fork 8" with bolt, black anodized		2
3	1432006-0400	Front fork 8" with bolt, techno-anthrazit		2
3	1432006-0401	Front fork 8" with bolt, lemon		2
3	1432006-0402	Front fork 8" with bolt, apricot		2
3	1432006-0404	Front fork 8" with bolt, b-blue		2
3	1432006-0440	Front fork 8" with bolt, comet red	2007-01-01 →	2
3	1432006-0441	Front fork 8" with bolt, arctic blue	2010-01-01 →	2
3	1432006-0444	Front fork 8" with bolt, copper glaze	2009-01-01 →	2
4	1487961-0004	Bearing block cap pair, black anodized		1
4	1487961-0400	Bearing block cap pair, techno-anthrazit		1
4	1487961-0401	Bearing block cap pair, lemon		1
4	1487961-0402	Bearing block cap pair, apricot		1
4	1487961-0404	Bearing block cap pair, b-blue		1
4	1487961-0440	Bearing block cap pair, comet red	2007-01-01 →	1

Front forks standard

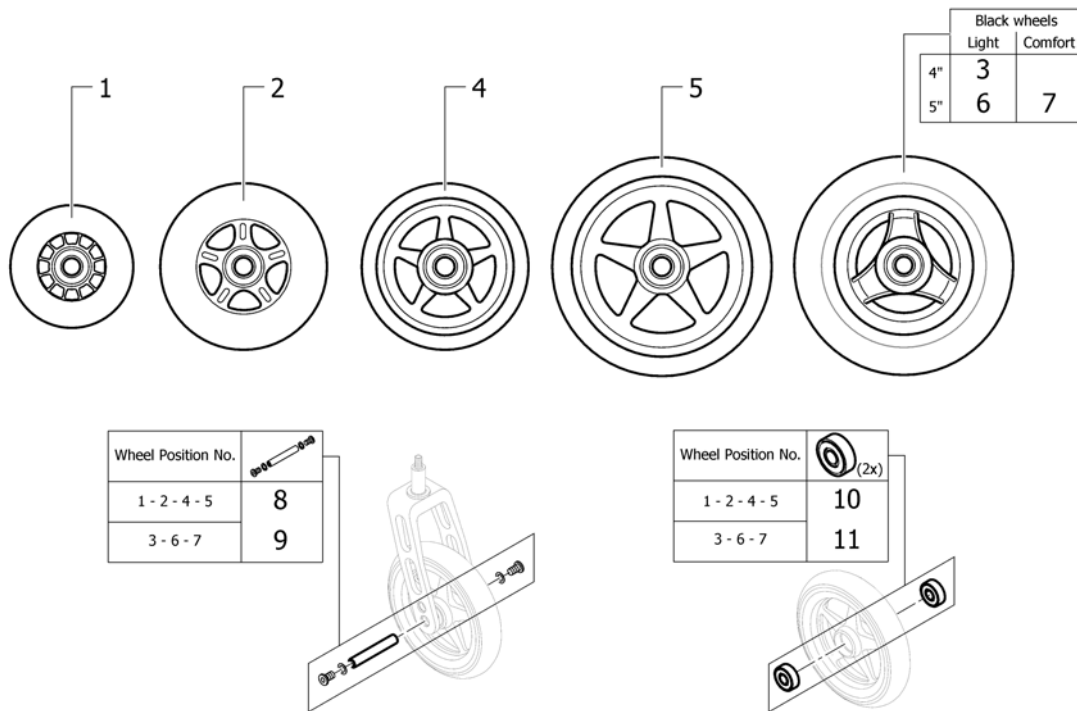
Pos.	Part number	Description	Valid from → until	Qty
4	1487961-0441	Bearing block cap pair, arctic blue	2010-01-01 →	1
4	1487961-0444	Bearing block cap, pair, copper glaze	2009-01-01 →	1
5	1451718	Bearing kit		1

Configuration table for front fork size



Pos.	Part number	Description	Valid from → until	Qty
5"	-	Front fork, Size 5"		0
6"	-	Front fork, Size 6"		0
8"	-	Front fork, Size 8"		0

Front wheels

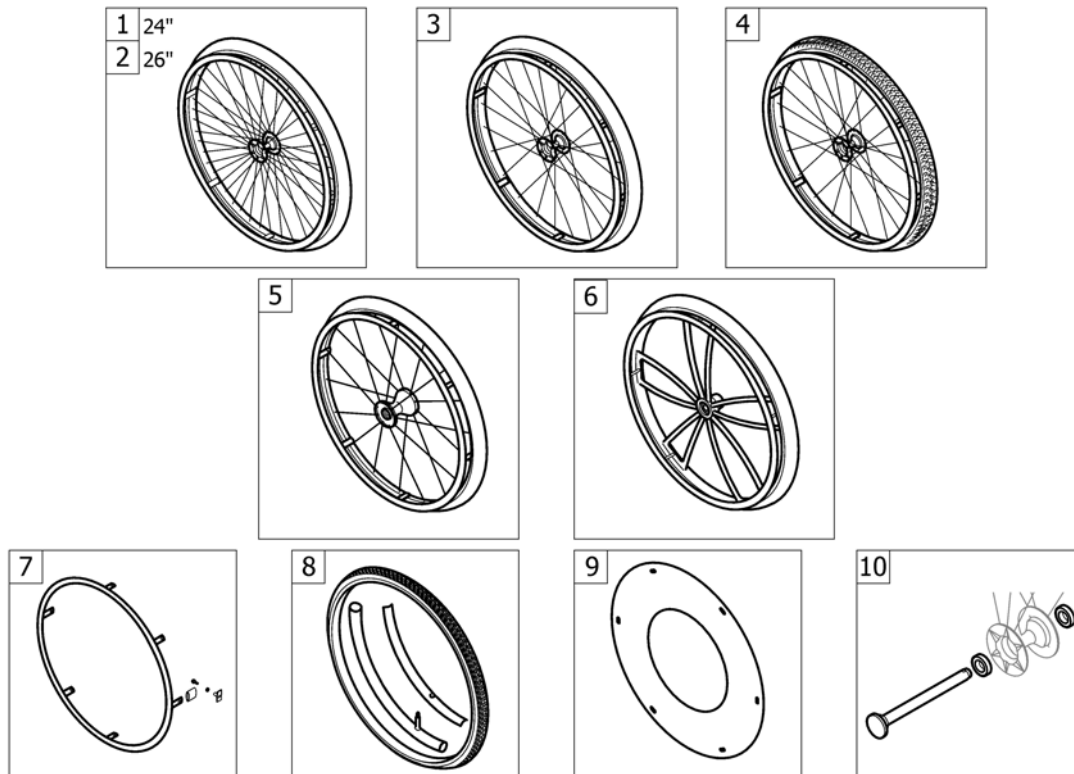


Pos.	Part number	Description	Valid from → until	Qty
1	1513180	3" Sports wheel, transparent <i>Replaces 732.1026</i>		2
2	1513181	4" Skater wheel, transparent <i>Replaces 1416805</i>		2
3	1562626	4" Everyday wheel, 3 spokes, black <i>Replaces 1513182</i>	2012-07-01 →	2
4	1513183-0408	4" Starec wheel, glossy black <i>Replaces 1420968-0408</i>		2
4	1513183-0400	4" Starec wheel, techno-anthrazit <i>Replaces 1420968-0400</i>		2
4	1513183-0401	4" Starec wheel, lemon <i>Replaces 1420968-0401</i>		2
4	1513183-0402	4" Starec wheel, apricot <i>Replaces 1420968-0402</i>		2
4	1513183-0404	4" Starec wheel, b-blue <i>Replaces 1420968-0404</i>		2
4	1513183-0440	4" Starec wheel, comet red <i>Replaces 1420968-0440</i>	2007-01-01 →	2
4	1513183-0441	4" Starec wheel, arctic blue <i>Replaces 1420968-0441</i>	2010-01-01 →	2
4	1513183-0444	4" Starec wheel, copper glaze <i>Replaces 1420968-0444</i>	2009-01-01 →	2
5	1513187-0408	5" Starec wheel, black <i>Replaces 732.1032.961</i>		2
5	1513187-0400	5" Starec wheel, techno-anthrazit <i>Replaces 732.1032.950</i>		2
5	1513187-0401	5" Starec wheel, lemon <i>Replaces 732.1032.951</i>		2
5	1513187-0402	5" Starec wheel, apricot <i>Replaces 732.1032.954</i>		2
5	1513187-0404	5" Starec wheel, b-blue <i>Replaces 732.1032.957</i>		2
5	1513187-0440	5" Starec wheel, comet red <i>Replaces 732.1032-0440</i>	2007-01-01 →	2
5	1513187-0441	5" Starec wheel, arctic blue <i>Replaces 732.1032-0441</i>	2010-01-01 →	2

Front wheels

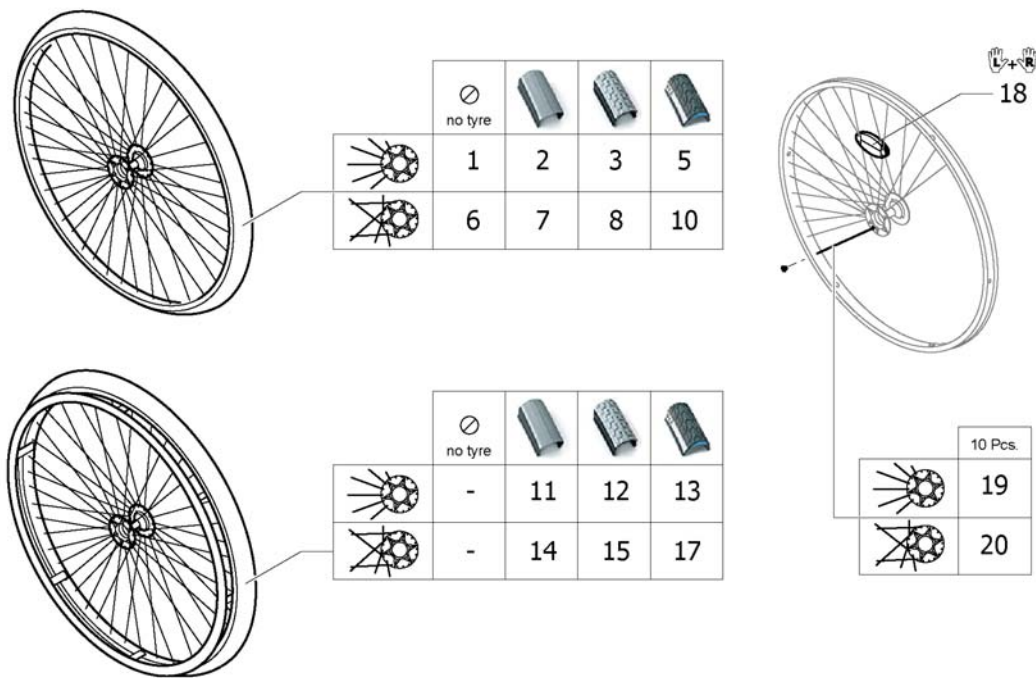
Pos.	Part number	Description	Valid from → until	Qty
5	1513187-0444	5" Starec wheel, copper glaze <i>Replaces 732.1032-0444</i>	2009-01-01 →	2
6	1562627	5" Everyday wheel, 3 spokes, black <i>Replaces 1513185</i>	2012-07-01 →	2
7	1542640	5" Comfort wheel, black <i>Replaces 1513186</i>	2011-01-01 →	2
8	1420972	Axle set complete 3" Sport / 4" and 5" Starec / 4" Skater wheel		2
9	1570108	Axle set without spacer		2
10	1570104	Ball bearing 608-2RS 8/22*7, pair		2
11	1570105	Ball bearing 6000-2RS, pair		2

REAR WHEELS



Pos.	Part number	Description	Valid from → until	Qty
1	-	24" Küschall rear wheels complete	2005-09-01 → 2012-12-31	1
2	-	26" Küschall rear wheels complete	2005-09-01 → 2012-12-31	1
3	-	High Performance wheel	2005-09-01 → 2012-12-31	1
4	-	Mountainbike wheel	2005-09-01 → 2012-12-31	1
5	-	Spinergy wheel	2005-09-01 → 2012-12-31	1
6	-	Spider wheel	2005-09-01 → 2012-12-31	1
7	-	Handrim	2005-09-01 → 2012-12-31	1
8	-	Tyre	2005-09-01 → 2012-12-31	1
9	-	Spokes guard	2005-09-01 → 2012-12-31	1
10	-	Quick release axle and bearing	2005-09-01 → 2012-12-31	1

24" Küschall rear wheels complete

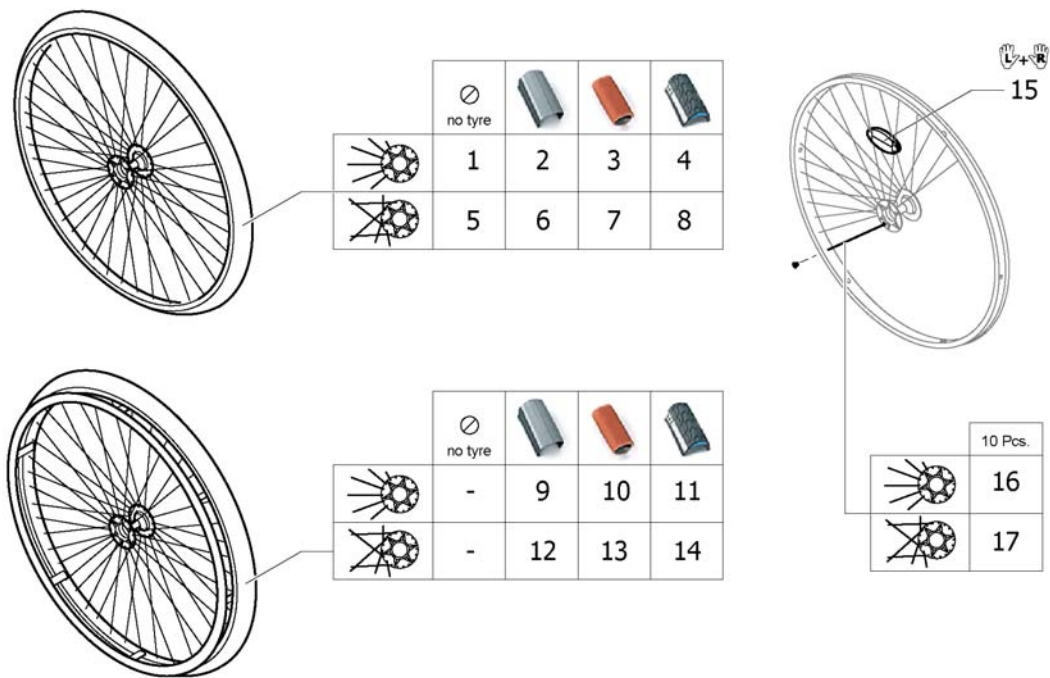


Pos.	Part number	Description	Valid from → until	Qty
1	1567103-0407	Rear wheel 24" Starec R, colourless, without handrim, without tyre <i>Replaces 904.1082</i>		2
1	1567103-0400	Rear wheel 24" Starec R, tecno, without handrim, without tyre <i>Replaces 904.1082.950</i>		2
1	1567103-0401	Rear wheel 24" Starec R, lemon, without handrim, without tyre <i>Replaces 904.1082.951</i>		2
1	1567103-0402	Rear wheel 24" Starec R, apricot, without handrim, without tyre <i>Replaces 904.1082.954</i>		2
1	1567103-0404	Rear wheel 24" Starec R, b-blue, without handrim, without tyre <i>Replaces 904.1082.957</i>		2
1	1567103-0440	Rear wheel 24" Starec R, comet red, without handrim, without tyre <i>Replaces 904.1082-0440</i>	2007-01-01 →	2
1	1567103-0441	Rear wheel 24" Starec R, arctic blue, without handrim, without tyre <i>Replaces 904.1082-0441</i>	2010-01-01 →	2
1	1567103-0444	Rear wheel 24" Starec R, copper glaze, without handrim, without tyre <i>Replaces 904.1082-0444</i>	2009-01-01 →	2
2	904.1161	Rear wheel 24", Starec hub R, without handrim, light wall		2
3	904.1160	Rear wheel 24", Starec hub R, without handrim, Tread		2
5	1554397-0007	Rear wheel 24", Starec R, colourless, without handrim, marathon evolution		2
5	1554397-0400	Rear wheel 24" Starec R, tecno, without handrim, marathon evolution		2
5	1554397-0401	Rear wheel 24" Starec R, lemon, without handrim, marathon evolution		2
5	1554397-0402	Rear wheel 24" Starec R, apricot, without handrim, marathon evolution		2
5	1554397-0404	Rear wheel 24" Starec R, b-blue, without handrim, marathon evolution		2
5	1554397-0440	Rear wheel 24" Starec R, comet red, without handrim, marathon evolution	2007-01-01 →	2
5	1554397-0441	Rear wheel 24" Starec R, arctic blue, without handrim, marathon evolution	2010-01-01 →	2
5	1554397-0444	Rear wheel 24" Starec R, copper glaze, without handrim, marathon evolution	2009-01-01 →	2
6	1567104-0407	Rear wheel 24", Starec X, colourless, without handrim, without tyre <i>Replaces 1416885</i>		2
6	1567104-0400	Rear wheel 24" Starec X, Tecno, without handrim, without tyre <i>Replaces 904.1132.950</i>		2
6	1567104-0401	Rear wheel 24" Starec X, Lemon, without handrim, without tyre <i>Replaces 904.1132.951</i>		2

24" Küschall rear wheels complete

Pos.	Part number	Description	Valid from → until	Qty
6	1567104-0402	Rear wheel 24" Starec X, Apricot, without handrim, without tyre <i>Replaces 904.1132.954</i>		2
6	1567104-0404	Rear wheel 24" Starec X, B-blue, without handrim, without tyre <i>Replaces 904.1132.957</i>		2
6	1567104-0440	Rear wheel 24" Starec X, Comet red, without handrim, without tyre <i>Replaces 904.1132-0440</i>	2007-01-01 →	2
6	1567104-0441	Rear wheel 24" Starec X, arctic blue, without handrim, without tyre <i>Replaces 904.1132-0441</i>	2010-01-01 →	2
6	1567104-0444	Rear wheel 24" Starec X, copper glaze, without handrim, without tyre <i>Replaces 904.1132-0444</i>	2009-01-01 →	2
7	1570471	Rear wheel 24", Starec hub X, without handrim, light wall tyre		2
8	904.1141	Rear wheel 24", Starec hub X, without handrim, Tread		2
10	1554399-0007	Rear wheel 24", Starec X, colourless, without handrim, marathon		2
10	1554399-0400	Rear wheel 24" Starec X, tecno, without handrim, marathon evolution		2
10	1554399-0401	Rear wheel 24" Starec X, lemon, without handrim, marathon evolution		2
10	1554399-0402	Rear wheel 24" Starec X, apricot, without handrim, marathon evolution		2
10	1554399-0404	Rear wheel 24" Starec X, b-blue, without handrim, marathon evolution		2
10	1554399-0440	Rear wheel 24" Starec X, comet red, without handrim, marathon evolution	2007-01-01 →	2
10	1554399-0441	Rear wheel 24" Starec X, arctic blue, without handrim, marathon evolution	2010-01-01 →	2
10	1554399-0444	Rear wheel 24" Starec X, copper glaze, without handrim, marathon evolution	2009-01-01 →	2
11	904.1152	Rear wheel 24", Starec hub R, handrim, light wall		2
12	904.1151	Rear wheel 24", Starec hub R, handrim, Tread		2
13	1554398-0007	Rear wheel 24", Starec R, colourless, handrim, marathon evolution		2
13	1554398-0400	Rear wheel 24" Starec R, tecno, handrim, marathon evolution		2
13	1554398-0401	Rear wheel 24" Starec R, lemon, handrim, marathon evolution		2
13	1554398-0402	Rear wheel 24" Starec R, apricot, handrim, marathon evolution		2
13	1554398-0404	Rear wheel 24" Starec R, b-blue, handrim, marathon evolution		2
13	1554398-0440	Rear wheel 24" Starec R, comet red, handrim, marathon evolution	2007-01-01 →	2
13	1554398-0441	Rear wheel 24" Starec R, arctic blue, handrim, marathon evolution	2010-01-01 →	2
13	1554398-0444	Rear wheel 24" Starec R, copper glaze, handrim, marathon evolution	2009-01-01 →	2
14	1570472	Rear wheel 24", Starec hub X, handrim, light wall tyre		2
15	904.1125	Rear wheel 24", Starec hub X, handrim, Tread		2
17	1554400-0007	Rear wheel 24", Starec X, colourless, handrim, marathon evolution		2
17	1554400-0400	Rear wheel 24" Starec X, tecno, handrim, marathon evolution		2
17	1554400-0401	Rear wheel 24" Starec X, lemon, handrim, marathon evolution		2
17	1554400-0402	Rear wheel 24" Starec X, apricot, handrim, marathon evolution		2
17	1554400-0404	Rear wheel 24" Starec X, b-blue, handrim, marathon evolution		2
17	1554400-0440	Rear wheel 24" Starec X, comet red, handrim, marathon evolution	2007-01-01 →	2
17	1554400-0441	Rear wheel 24" Starec X, arctic blue, handrim, marathon evolution	2010-01-01 →	2
17	1554400-0444	Rear wheel 24" Starec X, copper glaze, handrim, marathon evolution	2009-01-01 →	2
18	1571073	Spokereflexion, pair <i>Replaces 220.1033</i>		1
19	1579084	Spokes 238mm complete, kit 10 Pcs.		1
20	1579086	Spokes 253mm complete, kit 10 Pcs.		1

26" Küschall rear wheels complete

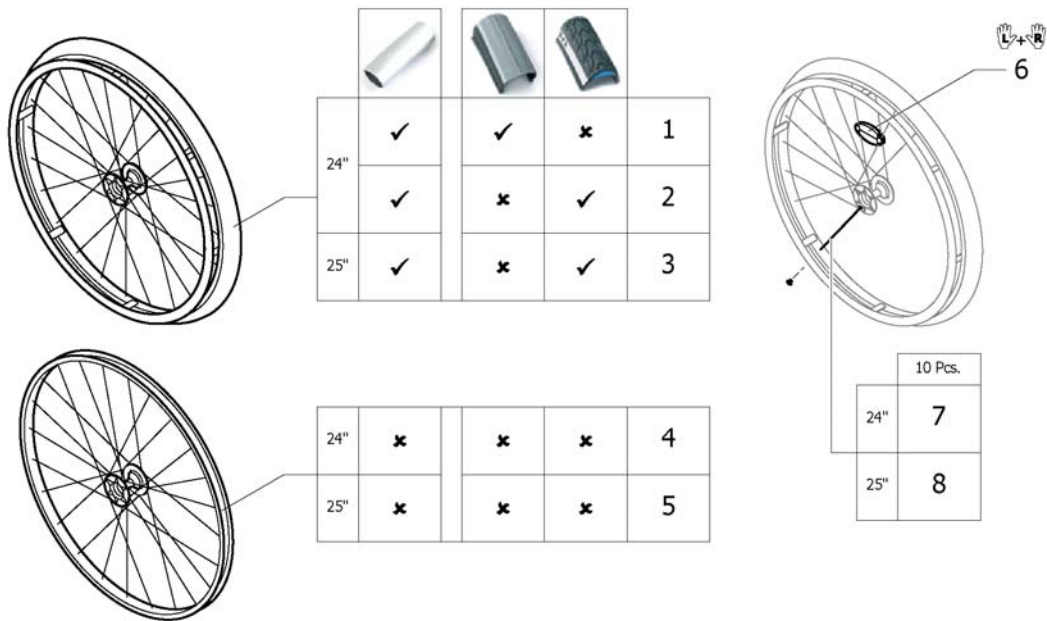


Pos.	Part number	Description	Valid from → until	Qty
1	1567098-0407	Rear wheel 26" Starec R, colourless, without handrim, without tyre <i>Replaces 904.1083</i>		2
1	1567098-0400	Rear wheel 26" Starec R, tecno, without handrim, without tyre <i>Replaces 904.1083.950</i>		2
1	1567098-0401	Rear wheel 26" Starec R, lemon, without handrim, without tyre <i>Replaces 904.1083.951</i>		2
1	1567098-0402	Rear wheel 26" Starec R, apricot, without handrim, without tyre <i>Replaces 904.1083.954</i>		2
1	1567098-0404	Rear wheel 26" Starec R, b-blue, without handrim, without tyre <i>Replaces 904.1083.957</i>		2
1	1567098-0440	Rear wheel 26" Starec R, comet red, without handrim, without tyre <i>Replaces 904.1083-0440</i>	2007-01-01 →	2
1	1567098-0441	Rear wheel 26" Starec R, arctic blue, without handrim, without tyre <i>Replaces 904.1083-0441</i>	2010-01-01 →	2
1	1567098-0444	Rear wheel 26" Starec R, copper glaze, without handrim, without tyre <i>Replaces 904.1083-0444</i>	2009-01-01 →	2
2	904.1196	Rear wheel 26", Starec hub R, without handrim, light wall		2
3	904.1165	Rear wheel 26", Starec hub R, without handrim, indoor sports		2
4	1554401-0007	Rear wheel 26", Starec R, colourless, without handrim, marathon evolution		2
4	1554401-0400	Rear wheel 26" Starec R, tecno, without handrim, marathon evolution		2
4	1554401-0401	Rear wheel 26" Starec R, lemon, without handrim, marathon evolution		2
4	1554401-0402	Rear wheel 26" Starec R, apricot, without handrim, marathon evolution		2
4	1554401-0404	Rear wheel 26" Starec R, b-blue, without handrim, marathon evolution		2
4	1554401-0440	Rear wheel 26" Starec R, comet red, without handrim, marathon evolution	2007-01-01 →	2
4	1554401-0441	Rear wheel 26" Starec R, arctic blue, without handrim, marathon evolution	2010-01-01 →	2
4	1554401-0444	Rear wheel 26" Starec R, copper glaze, without handrim, marathon evolution	2009-01-01 →	2
5	1567099-0407	Rear wheel 26", Starec X, colourless, without handrim, without tyre <i>Replaces 904.1133</i>		2
5	1567099-0400	Rear wheel 26" Starec X, Tecno, without handrim, without tyre <i>Replaces 904.1133.950</i>		2
5	1567099-0401	Rear wheel 26" Starec X, Lemon, without handrim, without tyre <i>Replaces 904.1133.951</i>		2

26" Küschall rear wheels complete

Pos.	Part number	Description	Valid from → until	Qty
5	1567099-0402	Rear wheel 26" Starec X, Apricot, without handrim, without tyre <i>Replaces 904.1133.954</i>		2
5	1567099-0404	Rear wheel 26" Starec X, B-blue, without handrim, without tyre <i>Replaces 904.1133.957</i>		2
5	1567099-0440	Rear wheel 26" Starec X, Comet red, without handrim, without tyre <i>Replaces 904.1133-0440</i>	2007-01-01 →	2
5	1567099-0441	Rear wheel 26" Starec X, arctic blue, without handrim, without tyre <i>Replaces 904.1133-0441</i>	2010-01-01 →	2
5	1567099-0444	Rear wheel 26" Starec X, copper glaze, without handrim, without tyre <i>Replaces 904.1133-0444</i>	2009-01-01 →	2
6	904.1190	Rear wheel 26", Starec hub X, without handrim, light wall		2
7	904.1146	Rear wheel 26", Starec hub X, without handrim, Indoor sports		2
8	1554403-0007	Rear wheel 26", Starec X, colourless, without handrim, marathon		2
8	1554403-0400	Rear wheel 26" Starec X, tecno, without handrim, marathon evolution		2
8	1554403-0401	Rear wheel 26" Starec X, lemon, without handrim, marathon evolution		2
8	1554403-0402	Rear wheel 26" Starec X, apricot, without handrim, marathon evolution		2
8	1554403-0404	Rear wheel 26" Starec X, b-blue, without handrim, marathon evolution		2
8	1554403-0440	Rear wheel 26" Starec X, comet red, without handrim, marathon evolution	2007-01-01 →	2
8	1554403-0441	Rear wheel 26" Starec X, arctic blue, without handrim, marathon evolution	2010-01-01 →	2
8	1554403-0444	Rear wheel 26" Starec X, copper glaze, without handrim, marathon evolution	2009-01-01 →	2
9	904.1193	Rear wheel 26", Starec hub R, handrim, light wall		2
10	904.1155	Rear wheel 26", Starec hub R, handrim, Indoor sports		2
11	1554402-0007	Rear wheel 26", Starec R, colourless, handrim, marathon evolution		2
11	1554402-0400	Rear wheel 26" Starec R, tecno, handrim, marathon evolution		2
11	1554402-0401	Rear wheel 26" Starec R, lemon, handrim, marathon evolution		2
11	1554402-0402	Rear wheel 26" Starec R, apricot, handrim, marathon evolution		2
11	1554402-0404	Rear wheel 26" Starec R, b-blue, handrim, marathon evolution		2
11	1554402-0440	Rear wheel 26" Starec R, comet red, handrim, marathon evolution	2007-01-01 →	2
11	1554402-0441	Rear wheel 26" Starec R, arctic blue, handrim, marathon evolution	2010-01-01 →	2
11	1554402-0444	Rear wheel 26" Starec R, copper glaze, handrim, marathon evolution	2009-01-01 →	2
12	904.1187	Rear wheel 26", Starec hub X, handrim, light wall		2
13	904.1129	Rear wheel 26", Starec hub X, handrim, Indoor sports		2
14	1554417-0007	Rear wheel 26", Starec X, colourless, handrim, marathon evolution		2
14	1554417-0400	Rear wheel 26" Starec X, tecno, handrim, marathon evolution		2
14	1554417-0401	Rear wheel 26" Starec X, lemon, handrim, marathon evolution		2
14	1554417-0402	Rear wheel 26" Starec X, apricot, handrim, marathon evolution		2
14	1554417-0404	Rear wheel 26" Starec X, b-blue, handrim, marathon evolution		2
14	1554417-0440	Rear wheel 26" Starec X, comet red, handrim, marathon evolution	2007-01-01 →	2
14	1554417-0441	Rear wheel 26" Starec X, arctic blue, handrim, marathon evolution	2010-01-01 →	2
14	1554417-0444	Rear wheel 26" Starec X, copper glaze, handrim, marathon evolution	2009-01-01 →	2
15	1571073	Spokereflexion, pair <i>Replaces 220.1033</i>		1
16	1579089	Spokes 262mm complete, kit 10 Pcs.		1
17	1579090	Spokes 278mm complete, kit 10 Pcs.		1

High Performance wheel

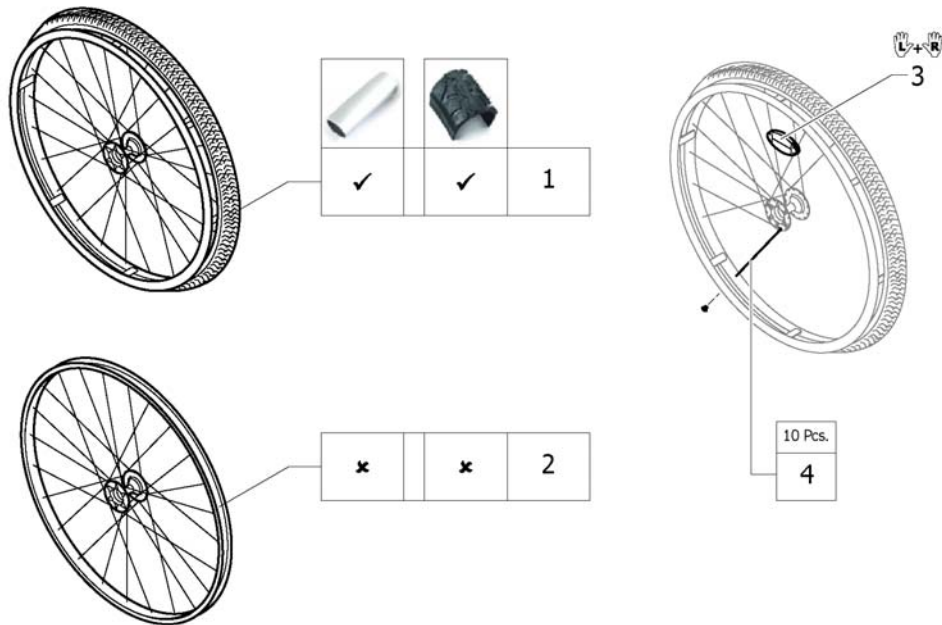


Pos.	Part number	Description	Valid from → until	Qty
1	1420958-0004	Wheel 24", High Performance, black, handrim alu, tyre light	2010-01-01 →	2
1	1420958-0400	Wheel 24", High Performance, techno-anthracite, handrim alu, tyre light	2009-01-01 →	2
1	1420958-0401	Wheel 24", High Performance, lemon, handrim alu, tyre light wall	2009-01-01 →	2
1	1420958-0402	Wheel 24", High Performance, apricot, handrim alu, tyre light wall	2009-01-01 →	2
1	1420958-0404	Wheel 24", High Performance, b-blue, handrim alu, tyre light wall	2009-01-01 →	2
1	1420958-0440	Wheel 24", High Performance, comet red, handrim alu, tyre light wall	2009-01-01 →	2
1	1420958-0441	Wheel 24", High Performance, arctic blue, handrim alu, tyre light wall	2010-01-01 →	2
1	1420958-0444	Wheel 24", High Performance, copper glaze, handrim alu, tyre light wall	2009-01-01 →	2
2	1527046-0004	Wheel 24", High Performance, black, handrim alu, tyre Marathon Evolution	2010-01-01 →	2
2	1527046-0400	Wheel 24", High Performance, techno-anthracite, handrim alu, tyre Marathon Evolution	2009-01-01 →	2
2	1527046-0401	Wheel 24", High Performance, lemon, handrim alu, tyre Marathon Evolution	2009-01-01 →	2
2	1527046-0402	Wheel 24", High Performance, apricot, handrim alu, tyre Marathon Evolution	2009-01-01 →	2
2	1527046-0404	Wheel 24", High Performance, b-blue, handrim alu, tyre Marathon Evolution	2009-01-01 →	2
2	1527046-0440	Wheel 24", High Performance, comet red, handrim alu, tyre Marathon Evolution	2009-01-01 →	2
2	1527046-0441	Wheel 24", High Performance, arctic blue, handrim alu, tyre Marathon Evolution	2010-01-01 →	2
2	1527046-0444	Wheel 24", High Performance, copper glaze, handrim alu, tyre Marathon Evolution	2009-01-01 →	2
3	1445479-0004	Wheel 25", High Performance, black, handrim alu, tyre Marathon Evolution	2010-01-01 →	2
3	1445479-0400	Wheel 25", High Performance, techno-anthracite, handrim alu, tyre Marathon Evolution	2009-01-01 →	2
3	1445479-0401	Wheel 25", High Performance, lemon, handrim alu, tyre Marathon Evolution	2009-01-01 →	2
3	1445479-0402	Wheel 25", High Performance, apricot, handrim alu, tyre Marathon Evolution	2009-01-01 →	2
3	1445479-0404	Wheel 25", High Performance, b-blue, handrim alu, tyre Marathon Evolution	2009-01-01 →	2

High Performance wheel

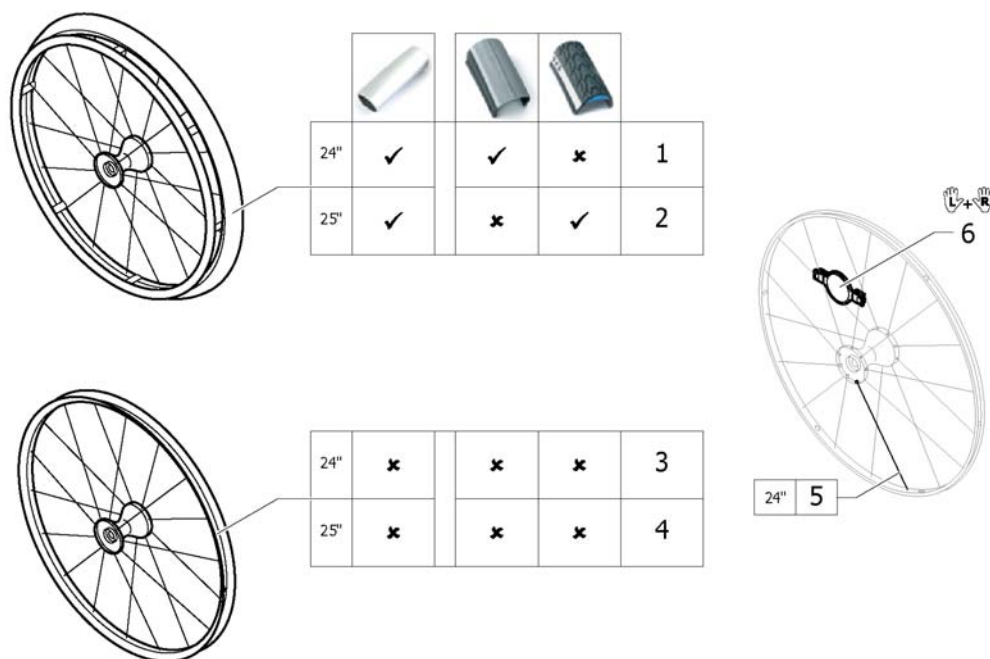
Pos.	Part number	Description	Valid from → until	Qty
3	1445479-0440	Wheel 25", High Performance, comet red, handrim alu, tyre Marathon Evolution	2009-01-01 →	2
3	1445479-0441	Wheel 25", High Performance, arctic blue, handrim alu, tyre Marathon Evolution	2010-01-01 →	2
3	1445479-0444	Wheel 25", High Performance, copper glaze, handrim alu, tyre Marathon Evolution	2009-01-01 →	2
4	1517723-0004	Wheel 24", High Performance, black, without handrim, without tyre	2010-01-01 →	2
4	1517723-0400	Wheel 24", High Performance, techno-anthracite, without handrim, without tyre	2009-01-01 →	2
4	1517723-0401	Wheel 24", High Performance, lemon, without handrim, without tyre	2009-01-01 →	2
4	1517723-0402	Wheel 24", High Performance, apricot, without handrim, without tyre	2009-01-01 →	2
4	1517723-0404	Wheel 24", High Performance, b-blue, without handrim, without tyre	2009-01-01 →	2
4	1517723-0440	Wheel 24", High Performance, comet red, without handrim, without tyre	2009-01-01 →	2
4	1517723-0441	Wheel 24", High Performance, arctic blue, without handrim, without tyre	2010-01-01 →	2
4	1517723-0444	Wheel 24", High Performance, copper glaze, without handrim, without tyre	2009-01-01 →	2
5	1562937-0004	Wheel 25", High Performance, black, without handrim, without tyre	2010-01-01 →	2
5	1562937-0400	Wheel 25", High Performance, techno-anthrac., without handrim, without tyre	2009-01-01 →	2
5	1562937-0401	Wheel 25", High Performance, lemon, without handrim, without tyre	2009-01-01 →	2
5	1562937-0402	Wheel 25", High Performance, apricot, without handrim, without tyre	2009-01-01 →	2
5	1562937-0404	Wheel 25", High Performance, b-blue, without handrim, without tyre	2009-01-01 →	2
5	1562937-0440	Wheel 25", High Performance, comet red, without handrim, without tyre	2009-01-01 →	2
5	1562937-0441	Wheel 25", High Performance, arctic blue, without handrim, without tyre	2010-01-01 →	2
5	1562937-0444	Wheel 25", High Performance, copper glaze, without handrim, without tyre	2009-01-01 →	2
6	1571073	Spokereflection, pair <i>Replaces 220.1033</i>		1
7	1578867	Spokes kit for High Performance wheel 24", 10 Pcs.		1
8	1578868	Spokes kit for High Performance wheel 25", 10 Pcs.		1

Mountainbike wheel



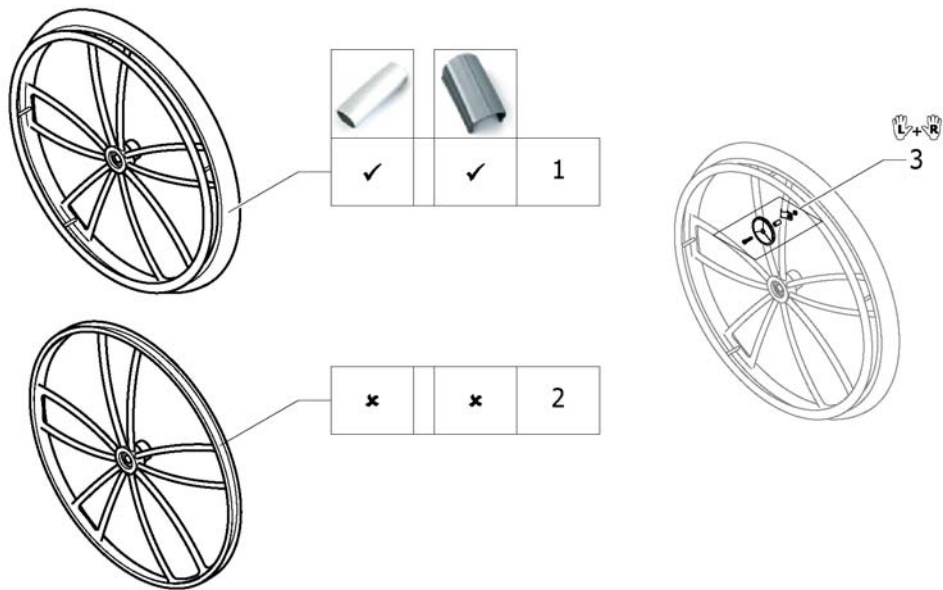
Pos.	Part number	Description	Valid from → until	Qty
1	1517875	Rear wheel 24", Mountain Bike, handrim alu, tyre MTB <i>Replaces 1420959</i>		2
2	1529327	Rear wheel Mountain Bike 24", without handrim, without tyre <i>Replaces 1439420</i>		2
3	1571073	Spokereflection, pair <i>Replaces 220.1033</i>		1
4	1579085	Spokes kit for Mountain Bike wheel, 10 Pcs.		1

Spinergy wheel



Pos.	Part number	Description	Valid from → until	Qty
1	1485805	Rear wheel 24", Spinergy, handrim Alu, tyre light wall		2
2	1525127	Rear wheel 25", Spinergy, handrim Alu, tyre Mararthon Evolution	2009-01-01 →	2
3	1570426	Rear wheel 24", Spinergy, without handrim, without tyre		2
4	1525128	Rear wheel 25", Spinergy, without handrim, without tyre	2009-01-01 →	2
5	1579092	Spoke for Spinergy wheel 24", 1 Pcs.		36
6	1571088	Spoke reflection for Spinergy wheel, pair <i>Replaces 1451931</i>		1

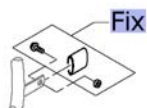
Spider wheel



Pos.	Part number	Description	Valid from → until	Qty
1	904.1201.000	Rear wheel 24", Spiderwheel, handrim alu, tyre light wall		2
2	1424944	Rear wheel 24", Spiderwheel without handrim, without tyre		2
3	1571074	Spoke reflection set for Spider wheel, pair <i>Replaces 1439352</i>		1

Handrim

																		
																		
		22"	24"	25"	26"	22"	24"	25"	26"	24"	24"	26"	22"	24"	26"	24"	26"	24"
	3cm	1	3	5	7	9	10	11	12	13	15	17	19	20	21	22	23	24
	4cm	2	4	6	8	-	-	-	-	14	16	18	-	-	-	-	-	-
	3cm	-	3	5	-	-	10	11	-	13	15	-	-	20	-	22	-	24
	4cm	-	4	6	-	-	-	-	-	14	16	-	-	-	-	-	-	-
	3cm	1	-	-	-	9	-	-	-	-	-	-	-	-	-	-	-	-
	4cm	2	-	-	-	-	-	-	-	-	-	-	19	-	-	-	-	-
	3cm	-	25	-	-	-	-	-	-	26	-	-	-	27	-	-	-	-
	4cm	-	-	-	-	-	-	-	-	-	-	-	-	-	-	-	-	-
	3cm	-	3	5	-	-	10	11	-	13	15	-	-	20	-	22	-	24
	4cm	-	4	6	-	-	-	-	-	14	16	-	-	-	-	-	-	-

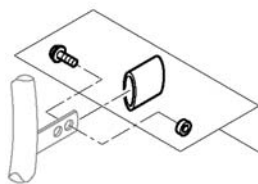


Pos.	Part number	Description	Valid from → until	Qty
Fix	-	Fixation handrim		1
1	1568713-0005	Handrim 22" Aluminium, distance 3cm		2
2	1568700	Handrim 22" Alu, 4cm <i>Replaces 457.1023</i>		2
3	1568714-0005	Handrim 24" Aluminium, distance 3cm		2
4	1568702	Handrim 24" Alu light, colourless anodized, 4cm <i>Replaces 1432287-0005</i>		2
5	1568730-0005	Handrim 25" Aluminium, distance 3cm		2
6	1568708	Handrim 25" Alu light for high performance, 4cm <i>Replaces 1420890-0005</i>		2
7	1568731-0005	Handrim 26" Aluminium, distance 3cm		2
8	1568709	Handrim 26" Alu, 4cm <i>Replaces 457.1043</i>		2
9	1568713-0411	Handrim 22" Aluminium, black, distance 3cm		2
10	1568714-0411	Handrim 24" Aluminium, black, distance 3cm		2
11	1568730-0411	Handrim 25" Aluminium, black, distance 3cm		2
12	1568731-0411	Handrim 26" Aluminium, black, distance 3cm		2
13	1568716	Handrim 24" Titanium, distance 3cm		2
14	1568705	Handrim 24" Titanium, 4cm <i>Replaces 457.1051</i>		2
15	1568715	Handrim 24" steel polished, distance 3cm		2
16	1568704	Handrim 24" steel polished, 4cm <i>Replaces 457.1009</i>		2
17	1568777	Handrim 26" steel polished, distance 3cm		2
18	1568711	Handrim 26" steel polished, 4cm <i>Replaces 457.1010</i>		2
19	1568701	Handrim 22" Super-Grip <i>Replaces 457.1045.429</i>		2
20	1568703	Handrim 24" Super-Grip <i>Replaces 457.1017.429</i>		2
21	1568710	Handrim 26" Super-Grip <i>Replaces 457.1046.429</i>		2
22	1568706	Handrim 24" Tetra <i>Replaces 457.1052.000</i>	2005-09-01 → 2011-12-31	2

Handrim

Pos.	Part number	Description	Valid from → until	Qty
23	1568712	Handrim 26" Tetra <i>Replaces 1436971</i>	2005-09-01 → 2011-12-31	2
24	1568707	Handrim 24" Maxgrip <i>Replaces 905.5002</i>	2005-09-01 → 2011-12-31	2
25	457.1053.000	Handrim 24" Alu for Spider wheel		2
26	1416801	Handrim 24" Titan for Spider Wheel		2
27	1416802	Handrim 24" Super-Grip for Spider wheel		2

















Fixation handrim

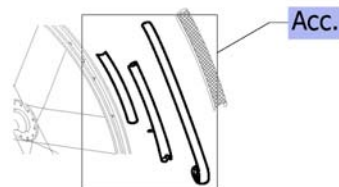


		Aluminium		Titanium		Steel		Supergrip		Tetra		Maxgrip			
	3cm	1	1	1	1	1	1	1	1	12	12	1	1		
	4cm	2	3	-	-	2	3	2	3	2	3	-	-	2	3
	3cm	4	4	4	4	4	4	4	4	4	4	12	12	4	4
	4cm	5	6	-	-	5	6	5	6	5	6	-	-	5	6
	3cm	7	7	7	7	-	-	-	-	7	7	-	-	-	-
	4cm	8	9	-	-	-	-	-	-	8	9	-	-	-	-
	3cm	10	-	-	-	10	-	-	-	10	-	-	-	-	-
	4cm	11	-	-	-	11	-	-	-	11	-	-	-	-	-
	3cm	7	-	7	-	7	-	7	-	12	-	7	-	-	-
	4cm	8	-	-	-	8	-	8	-	8	-	8	-	-	-

Pos.	Part number	Description	Valid from → until	Qty
1	1495958	Fixation kit handrim, 3 cm		2
2	1495959	Fixation kit handrim, 4 cm		2
3	1495961	Fixation kit handrim, 4 cm with spokes guard		2
4	1496019	Fixation kit handrim for High Performance wheel, 3 cm		2
5	1496020	Fixation kit handrim for High Performance wheel, 4 cm		2
6	1497111	Fixation kit handrim for High Performance wheel, 4 cm with spokes guard		2
7	1496015	Fixation kit handrim for Mountain bike wheel, 3 cm		2
8	1496016	Fixation kit handrim for Mountain bike wheel, 4 cm		2
9	1496018	Fixation kit handrim for Mountain bike wheel, 4 cm with spokes guard		2
10	1418931	Fixation kit handrim for Spider wheel, 3 cm		2
11	1418932	Fixation kit handrim for Spider wheel, 4 cm		2
12	1570759	Fixation kit handrim Tetra, 3 cm		2














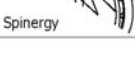
Tyre

														
	24"	25"	26"	24"	24"	25"	26"	24"	25"	24"	24"	24"	26"	
	1	-	13	2	3	-	14	4	-	-	6	7	8	15
	1	10	-	2	3	11	-	4	12	-	-	-	-	-
	-	-	-	-	-	-	-	-	-	5	-	-	-	-
	1	-	-	2	3	-	-	4	-	-	6	7	8	-
	1	10	-	2	3	11	-	4	12	-	-	-	-	-




Pos.	Part number	Description	Valid from → until	Qty
Acc.	-	Inner tube and rim protector		1
1	1570828	Tyre Light wall 24" <i>Replaces 1424749</i>		2
2	1570829	Treaded Tyre 24" <i>Replaces 728.1002</i>		2
3	1570838	Tyre 24" Marathon Evolution <i>Replaces 1438521</i>	2006-07-01 →	2
4	1578802	Tyre 24" Schwalbe One <i>Replaces 1528649</i>	2013-11-20 →	2
5	1570830	Tyre Mountain bike, 24" <i>Replaces 1420887</i>		2
6	1570839	Solid tyre 24", light, grey <i>Replaces 728.1032</i>		2
7	1570831	Solid tyre 24", profile <i>Replaces 728.1029</i>		2
8	1570840	KIK-Type 24", black, fail-safe <i>Replaces 728.1015</i>		2
10	1570833	Tyre Lightwall 25" <i>Replaces 1420888</i>		2
11	1570841	Tyre 25" Marathon Evolution <i>Replaces 1493769</i>	2006-07-01 →	2
12	1578803	Tyre 25" Schwalbe One <i>Replaces 1528650</i>	2013-11-20 →	2
13	1570834	Tyre Lightwall 26" <i>Replaces 728.1007</i>		2
14	1570842	Tyre 26" Marathon Evolution <i>Replaces 1517977</i>	2009-01-01 →	2
15	1570835	Indoor sports tyre 26" / 10 bar <i>Replaces 729.1002</i>		2

Inner tube and rim protector

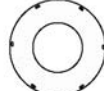











																
		24"	25"	26"	24"	24"	25"	26"	24"	25"	24"	22"	24"	24"	24"	26"
	A	1	-	4	1	1	-	4	1	-	-	-	-	-	-	-
	B	6	-	8	6	6	-	8	6	-	-	5	6	6	6	8
	A	1	3	-	1	1	3	-	1	3	-	-	-	-	-	-
	B	7	7	-	7	7	7	-	7	7	-	-	-	-	-	-
	A	-	-	-	-	-	-	-	-	-	2	-	-	-	-	-
	B	-	-	-	-	-	-	-	-	-	5	-	-	-	-	-
	A	1	-	-	1	1	-	-	1	-	-	-	-	-	-	-
	B	6	-	-	6	6	-	-	6	-	-	-	6	6	6	-
	A	1	3	-	1	1	3	-	1	3	-	-	-	-	-	-
	B	7	7	-	7	7	7	-	7	7	-	-	7	7	7	-

Inner Tube (A)
Rim protector (B)



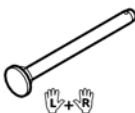
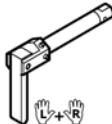
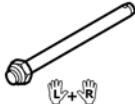






Pos.	Part number	Description	Valid from → until	Qty
1	1570849	Inner Tube 24" x 1" <i>Replaces 727.1002</i>		2
2	1570852	Inner tube for Mountain bike <i>Replaces 1420884</i>		2
3	1570851	Inner tube 26" for High-Performance wheel <i>Replaces 1430886</i>		2
4	1570850	Inner Tube 26" x 1" <i>Replaces 727.1003</i>		2
5	1570844	Rim protection 22" <i>Replaces 726.1005</i>		2
6	1570845	Rim protection 24" Large <i>Replaces 726.1008.000</i>		2
7	1495962	Rim Protection for High Performance / Spinergy wheel		2
8	1570846	Rim protection 26" <i>Replaces 726.1003</i>		2
9	1571072	Rear wheel inset anti-flat for 20,22,24,26" tyre <i>Replaces 1424917</i>		2

Spokes guard

											
	22"	24"	26"	24"	24"	24"	24"	22"	24"	22"	24"
 Küschall wheel	-	2	3	4	5	6	7	-	9	-	11
 High Performance	-	2	-	4	5	6	7	-	9	-	11
 Mountainbike	1	-	-	-	-	-	-	8	-	10	-
 Spiderwheel	-	-	-	-	-	-	-	-	-	-	-
 Spinergy	-	2	-	4	5	6	7	-	9	-	11

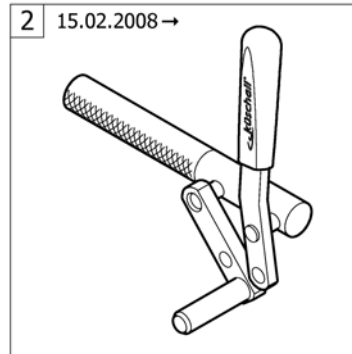
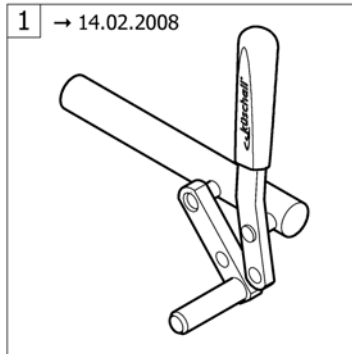
Pos.	Part number	Description	Valid from → until	Qty
1	1564453	Spokes guard Transparent 22" <i>Replaces 736.1005</i>	2007-01-01 →	2
2	1564457	Spokes guard Transparent 24" <i>Replaces 736.1004</i>	2007-01-01 →	2
3	1564492	Spokes guard Transparent 26" <i>Replaces 736.1003</i>	2005-09-01 → 2009-12-31	2
4	1564456	Spokes guard Küschall, black 24" <i>Replaces 736.1002</i>		2
5	1564459	Spokes guard Carbon 24" <i>Replaces 736.1014</i>	2012-12-31 → 2009-12-31	2
6	1564462	Spokes guard Switzerland 24" <i>Replaces 1497108</i>		2
7	1564463	Spokes guard Pirates 24" <i>Replaces 1497109</i>		2
9	1564460	Spokes guard Boa Boa 24" <i>Replaces 736.1015</i>		2
11	1564458	Spokes guard Cosmos Brownie 24" <i>Replaces 736.1009</i>		2

Quick release axle and bearing

				
	L/R	L/R	L/R	L/R
	1	2	3	6
	1	2	3	6
	1	2	3	6
	-	2	3	7
	4	5	-	6

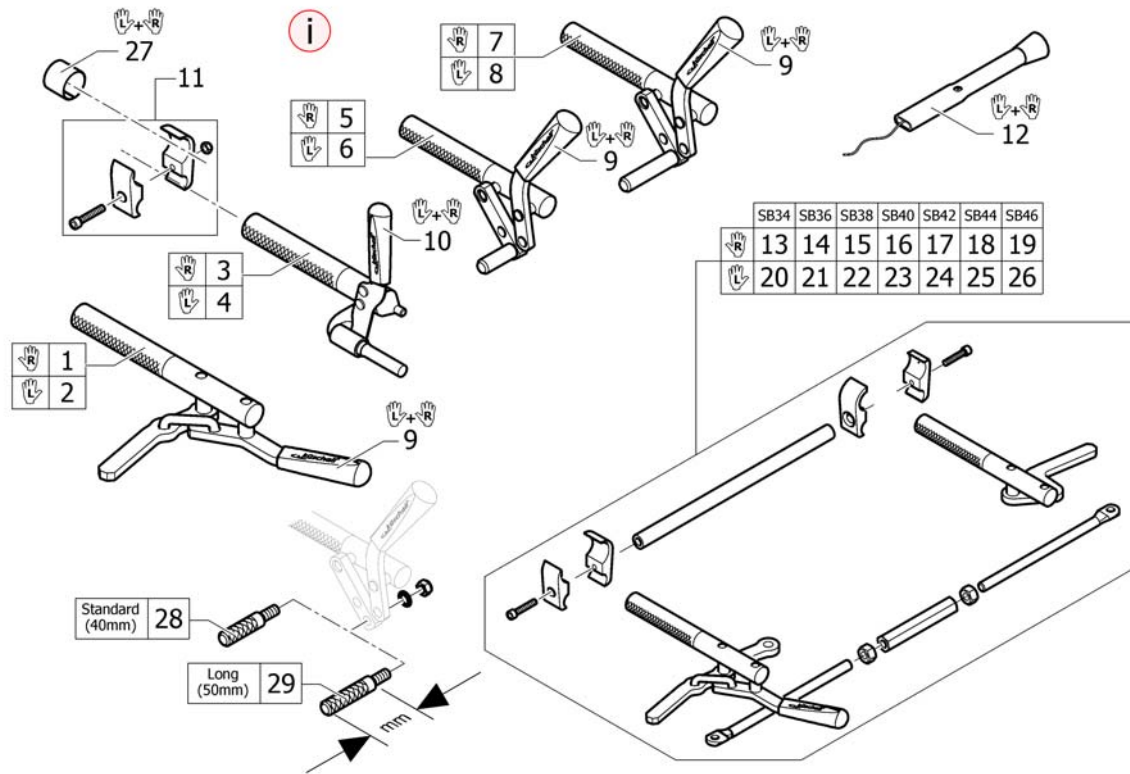
Pos.	Part number	Description	Valid from → until	Qty
1	1509137-0004	Quick release axles long with cap, pair, black	2010-01-01 →	1
1	1509137-0400	Quick release axles long with cap, pair, tecno anthracite		1
1	1509137-0401	Quick release axles long with cap, pair, lemon		1
1	1509137-0402	Quick release axles long with cap, pair, apricot		1
1	1509137-0404	Quick release axles long with cap, pair, b-blue		1
1	1509137-0440	Quick release axles long with cap, pair, comet red	2007-01-01 →	1
1	1509137-0441	Quick release axles long with cap, pair, arctic blue	2010-01-01 →	1
1	1509137-0444	Quick release axles long with cap, pair, copper glaze	2009-01-01 →	1
2	1493755	Tetra clip with quick release axle, pair, long		1
3	1512031	Quick release axles long, pair		1
4	1507627	Quickrelease axle long with cap for Spinerger wheel, pair	2009-01-01 →	1
5	1512029	Tetra clip with quick release axle, long, for Spinerger wheel, pair	2009-01-01 →	1
6	1571069	Bearing R8-2RS 1/2"/1.1/8"x5/16", pair <i>Replaces 5719103</i>		2
7	1571070	Bearing for Spider wheel, pair <i>Replaces 1416804</i>		2

BRAKES



Pos.	Part number	Description	Valid from → until	Qty
2	-	Brakes 15.02.2008=>	2008-02-15 → 2012-12-31	1

Brakes 15.02.2008=>

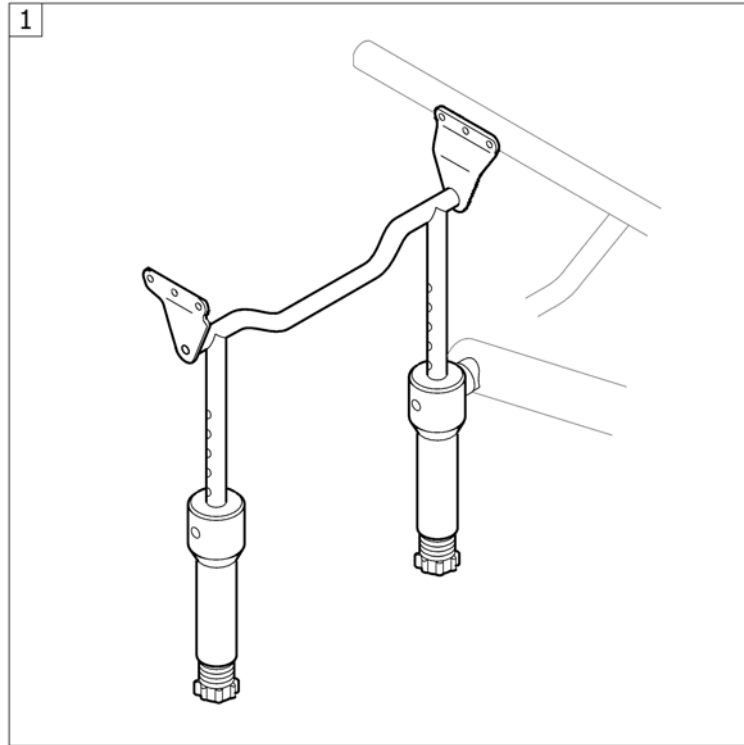


Pos.	Part number	Description	Valid from → until	Qty
i	-	New design: Tubular, knurled brake holder		0
1	1512134	Active brake right		1
2	1512133	Active brake left		1
3	1512132	Performance brake right		1
4	1512131	Performance brake left		1
5	1512126	Brake, bent lever, right		1
6	1512125	Brake, bent lever, left		1
7	1517655	Brake, lever bent, long shoe, right		1
8	1517656	Brake, lever bent, long shoe, left		1
9	1513177	Brake handle standard, pair		1
10	1513178	Brake handle for performance brake, pair		1
11	1513176	Clamping piece to brake, set		2
12	1513179	Brake lever extension, pair		1
13	1540877	One arm brake set right handed SB34, complete		1
14	1540878	One arm brake set right handed SB36, complete		1
15	1540879	One arm brake set right handed SB38, complete		1
16	1540880	One arm brake set right handed SB40, complete		1
17	1540881	One arm brake set right handed SB42, complete		1
18	1540882	One arm brake set right handed SB44, complete		1
19	1540883	One arm brake set right handed SB46, complete		1
20	1540884	One arm brake set left handed SB34, complete		1
21	1540885	One arm brake set left handed SB36, complete		1
22	1540886	One arm brake set left handed SB38, complete		1
23	1540887	One arm brake set left handed SB40, complete		1
24	1540888	One arm brake set left handed SB42, complete		1
25	1540889	One arm brake set left handed SB44, complete		1
26	1540890	One arm brake set left handed SB46, complete		1
27	1544424	Sleeves for brake clamping pieces to titanium frames, pair <i>Used for titanium frames</i>		1
28	1579328	Brake shoe standard (40mm), kit 4 Pcs. <i>Replaces 500.1045 (4x)</i>		1

Brakes 15.02.2008=>

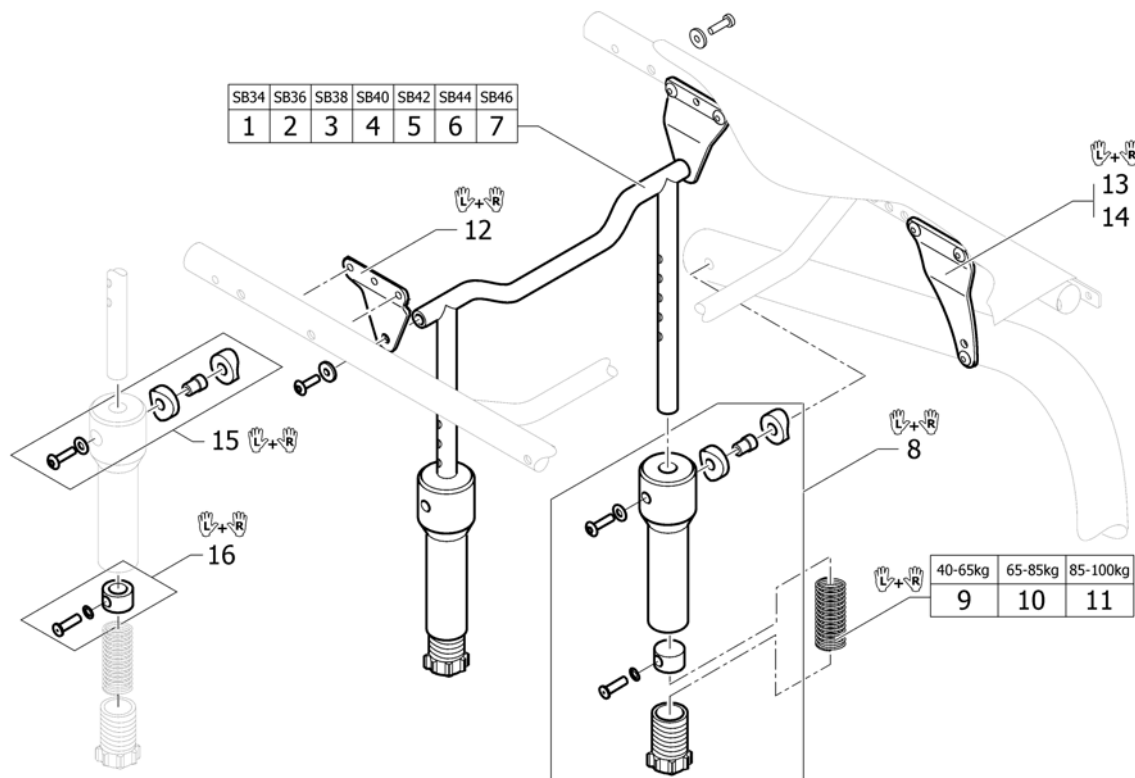
Pos.	Part number	Description	Valid from → until	Qty
29	1579329	Brake shoe long (50mm), kit 4 Pcs. <i>Replaces 500.1013 (4x)</i>		1

SEAT ACCESSORIES



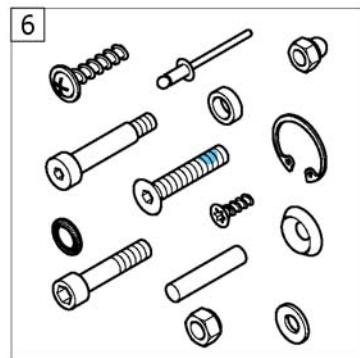
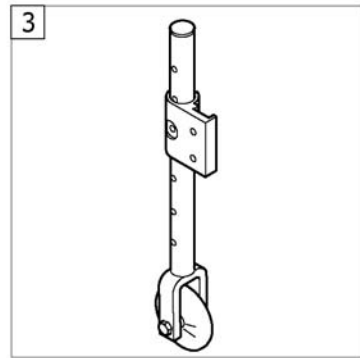
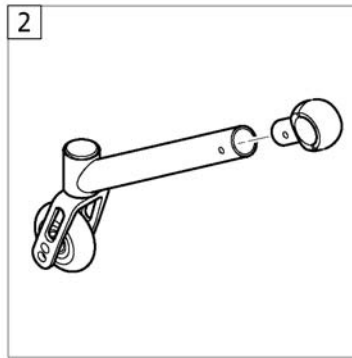
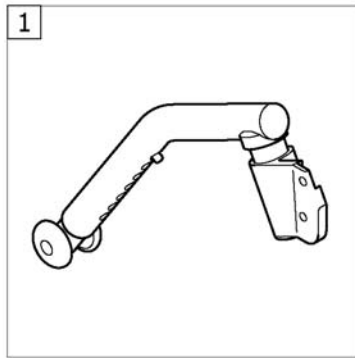
Pos.	Part number	Description	Valid from → until	Qty
1	-	Suspension	2005-09-01 → 2012-12-31	1

Suspension



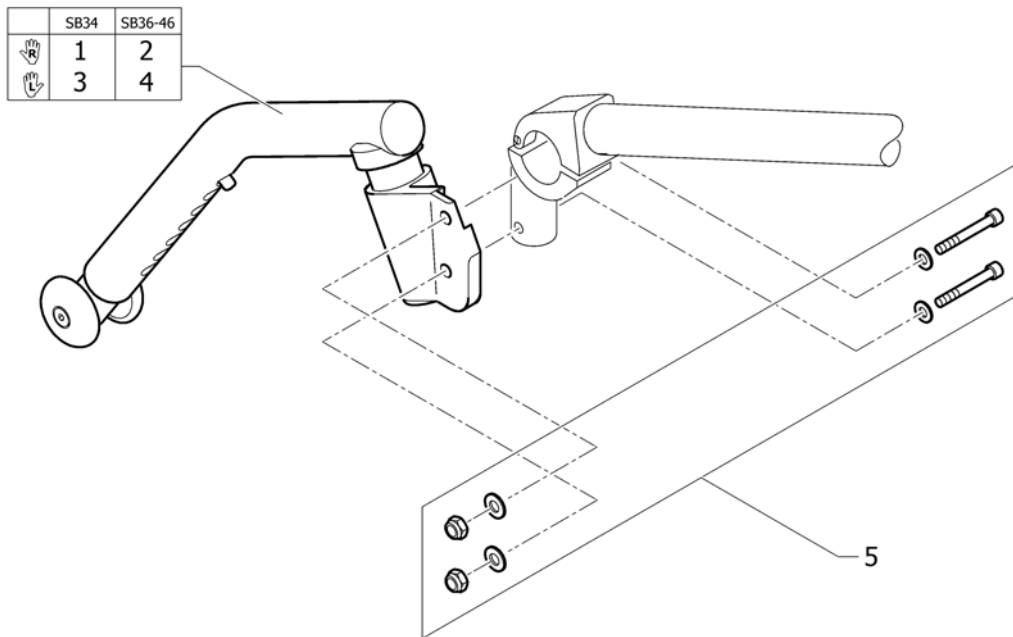
Pos.	Part number	Description	Valid from → until	Qty
1	1492187	Seat brace suspension SB34 complete		1
2	1492188	Seat brace suspension SB36 complete		1
3	1492189	Seat brace suspension SB38 complete		1
4	1492190	Seat brace suspension SB40 complete		1
5	1492191	Seat brace suspension SB42 complete		1
6	1492192	Seat brace suspension SB44 complete		1
7	1506960	Seat brace suspension SB46 complete		1
8	1492193	Spring case, pair complete		1
9	1492184	Pressure spring soft, kit (blue), pair		1
10	1492185	Pressure spring medium, kit (yellow), pair		1
11	1492186	Pressure spring hard, kit (red), pair		1
12	1451922	Hinge bracket-Set Suspension Seat Frame, rear		1
13	1486537	Hinge bracket-Set Suspension Seat Frame S		1
14	1486538	Hinge bracket-Set Suspension Seat Frame L		1
15	1580451	Fixation Spring case top, pair		1
16	1580452	Driver bushing suspension kit, pair		1

OPTIONS & ACCESSORIES



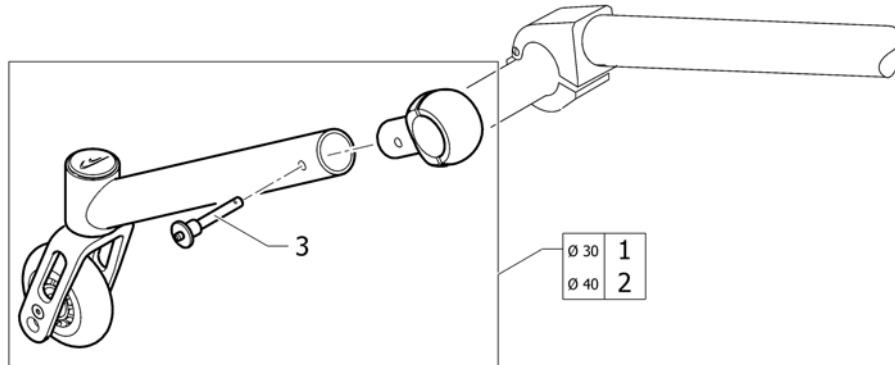
Pos.	Part number	Description	Valid from → until	Qty
1	-	Antitipper	2005-09-01 → 2012-12-31	1
2	-	Active Antitipper	2005-09-01 → 2012-12-31	1
3	-	Transit wheel	2005-09-01 → 2012-12-31	1
4	-	Chair accessories	2005-09-01 → 2012-12-31	1
5	-	Winter accessories	2010-10-01 → 2017-12-31	1
6	-	Fixation: screws, ...	2010-10-01 → 2017-12-31	1

Antitipper



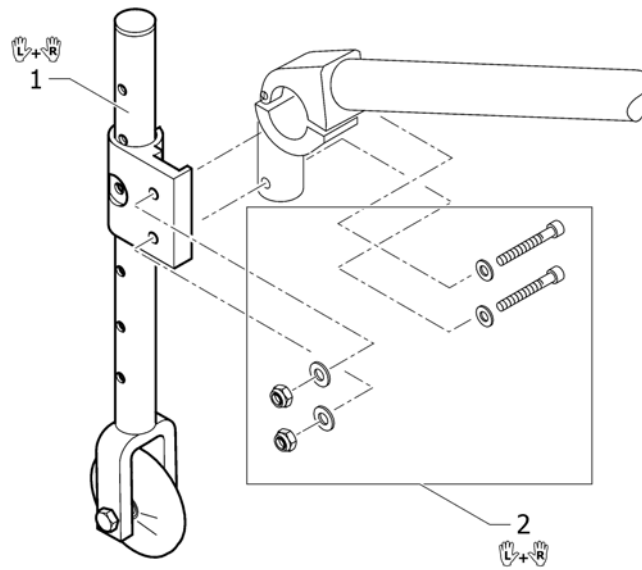
Pos.	Part number	Description	Valid from → until	Qty
1	1488928	Antitipper short right complete		1
2	1488930	Antitipper long right complete		1
3	1488927	Antitipper short left complete		1
4	1488929	Antitipper long left complete		1
5	1492194	Fixation kit for adaptations		1

Active Antitipper



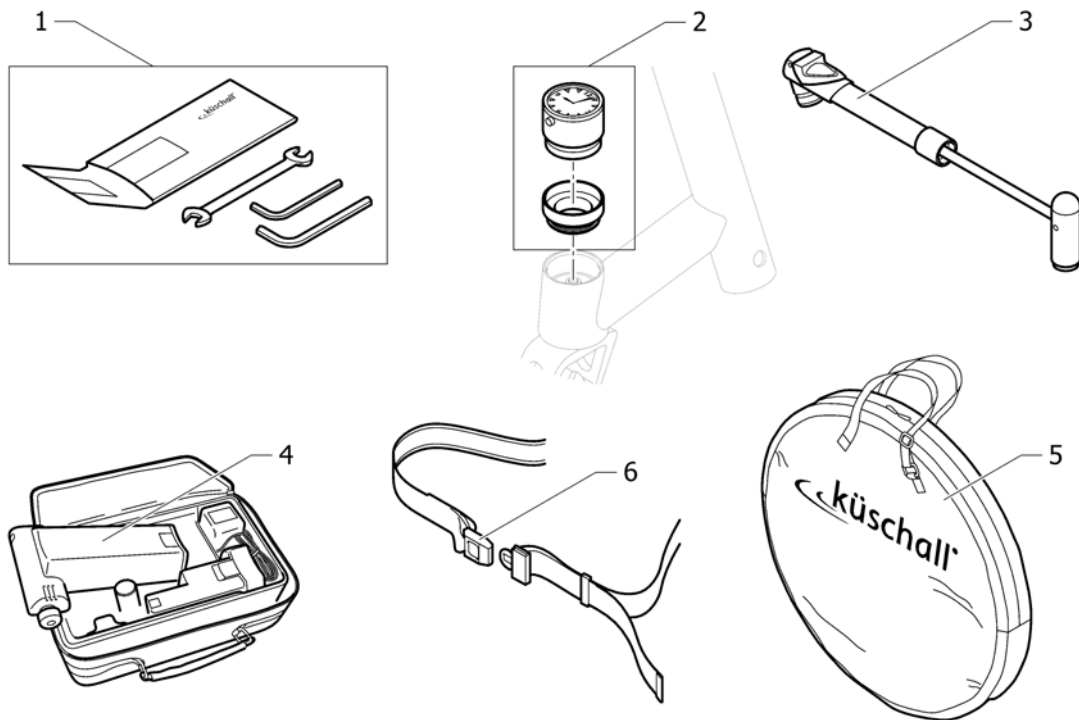
Pos.	Part number	Description	Valid from → until	Qty
1	1517873	Active Antitipper, for standard axle Ø30 for 24" and 25" wheels <i>Replaces 906.1029</i>		1
2	1517874	Active Antitipper, for Vario-Ax Ø40 for 24" and 25" wheels <i>Replaces 906.1030</i>		1
3	1517877	Quickpin fixture <i>Replaces 907.1125</i>		1

Transit wheel



Pos.	Part number	Description	Valid from → until	Qty
1	1451791	Transit wheels, pair		1
2	1492194	Fixation kit for adaptations		1

Chair accessories

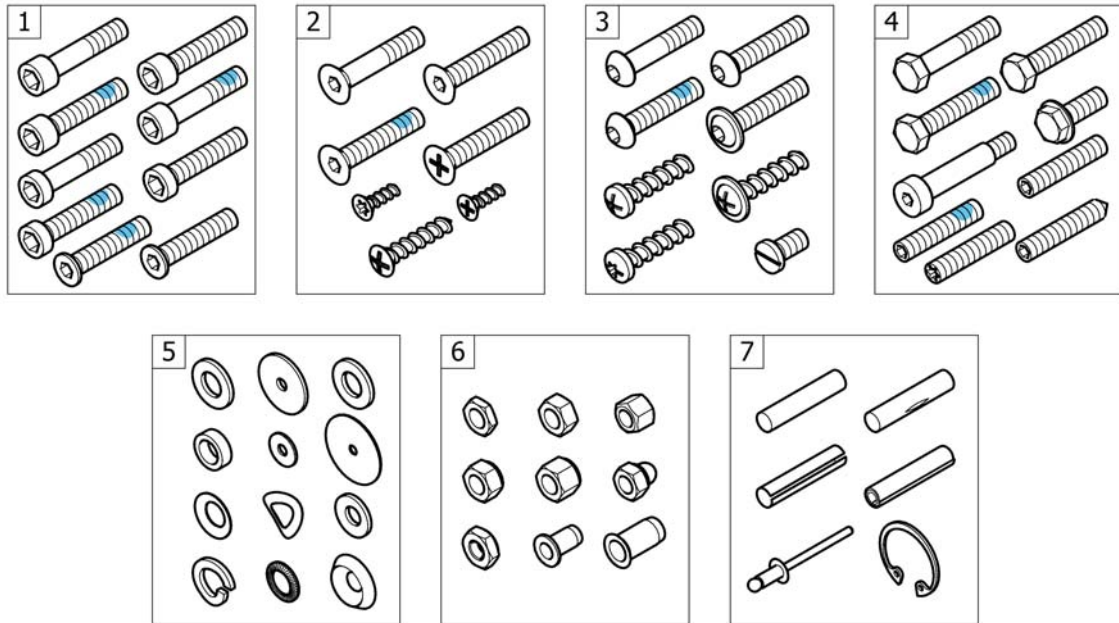


Pos.	Part number	Description	Valid from → until	Qty
1	1518285	Tool Kit <i>Replaces 800.1013</i>		1
2	1589117	Küschall watch mounted on bearing block, kit		1
3	1517924	Air pump <i>Replaces 801.1004</i>		1
4	1518286	Air man <i>Replaces 801.1006.000</i>		1
5	1518287	Wheel bag 24" - 26" <i>Replaces 1420922</i>		1
6	1518288	Seat belt		1

Winter accessories

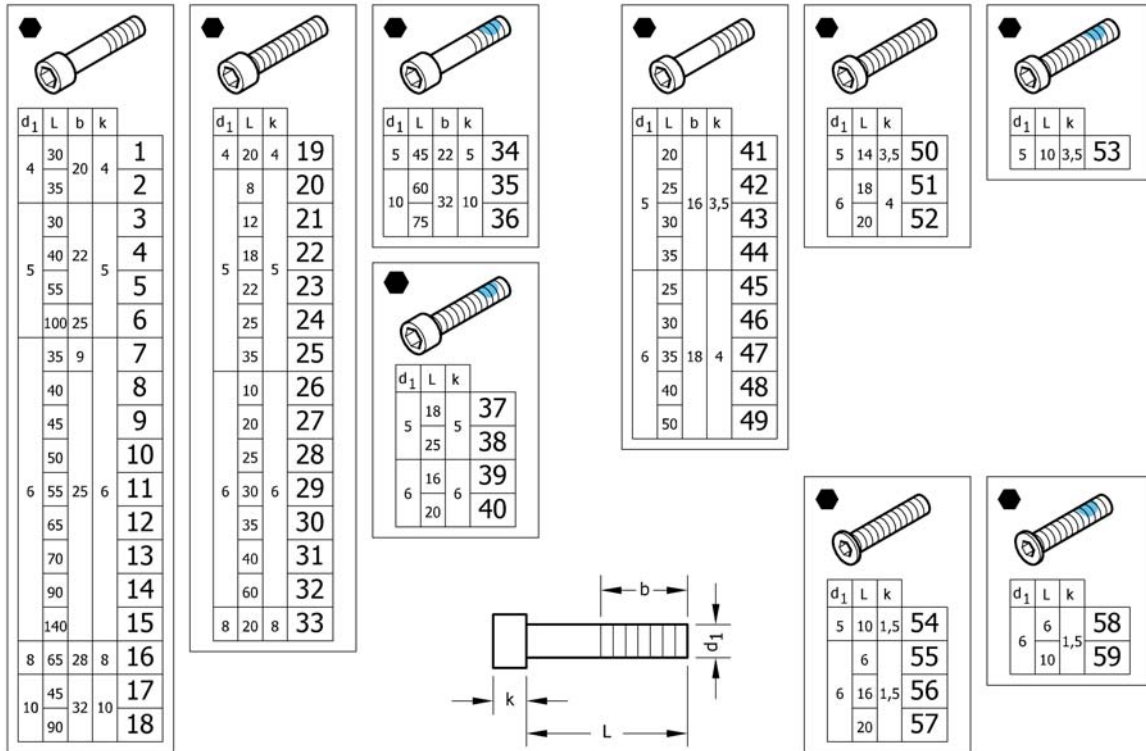
Pos.	Part number	Description	Valid from → until	Qty
1	1532009	Feet bag for body height >1,60m	2010-01-01 → 2011-06-30	1

Fixation: screws, ...



Pos.	Part number	Description	Valid from → until	Qty
1	-	Socket head cap screws		1
2	-	Countersunk screws		1
3	-	Button head screws		1
4	-	Hex-head screws, diverse, ...		1
5	-	Washers		1
6	-	Nuts		1
7	-	Pins, rivets, ...		1

Socket head cap screws



Pos.	Part number	Description	Valid from → until	Qty
1	1579115	Hex socket head cap screws partially threaded, zi.Blue, M4x30, kit 25 <i>Replaces 1560191 (25x)</i>		1
2	1579116	Hex socket head cap screws partially threaded, zi.Blue, M4x35, kit 25 <i>Replaces 1563765 (25x)</i>		1
3	1579117	Hex socket head cap screws partially threaded, black, M5x30, kit 25 Pcs. <i>Replaces 100.1091 (25x)</i>		1
4	1579118	Hex socket head cap screws partially threaded, black, M5x40, kit 25 Pcs. <i>Replaces 100.1093 (25x)</i>		1
5	1579119	Hex socket head cap screws partially threaded, black, M5x55, kit 25 Pcs. <i>Replaces 100.1096 (25x)</i>		1
6	1579120	Hex socket head cap screws partially threaded, black, M5x100, kit 10 Pcs. <i>Replaces 1425240 (10x)</i>		1
7	1579121	Hex socket head cap screws partially threaded, black, M6x35, kit 5 Pcs. <i>Replaces 107.1001 (5x)</i>		1
8	1579122	Hex socket head cap screws partially threaded, black, M6x40, kit 25 Pcs. <i>Replaces 100.1133 (25x)</i>		1
9	1579123	Hex socket head cap screws partially threaded, black, M6x45, kit 25 Pcs. <i>Replaces 100.1134 (25x)</i>		1
10	1579124	Hex socket head cap screws partially threaded, black, M6x50, kit 25 Pcs. <i>Replaces 100.1135 (25x)</i>		1
11	1579125	Hex socket head cap screws partially threaded, black, M6x55, kit 25 Pcs. <i>Replaces 100.1136 (25x)</i>		1
11	1579126	Hex socket head cap screws partially threaded, zi.Blue, M6x55, kit 25 <i>Replaces ZM006551A (25x)</i>		1
12	1579127	Hex socket head cap screws partially threaded, black, M6x65, kit 10 Pcs. <i>Replaces 100.1138 (10x)</i>		1
13	1579128	Hex socket head cap screws partially threaded, black, M6x70, kit 10 Pcs. <i>Replaces 100.1139 (10x)</i>		1
14	1579129	Hex socket head cap screws partially threaded, black, M6x90, kit 10 Pcs. <i>Replaces 1529118 (10x)</i>		1
15	1579130	Hex socket head cap screws partially threaded, black, M6x140, kit 10 Pcs. <i>Replaces 1529117 (10x)</i>		1
16	1579131	Hex socket head cap screws partially threaded, black, M8x65, kit 10 Pcs. <i>Replaces 1510316 (10x)</i>		1
17	1579132	Hex socket head cap screws partially threaded, black, M10x45, kit 2 Pcs. <i>Replaces 1496010 (2x)</i>		1

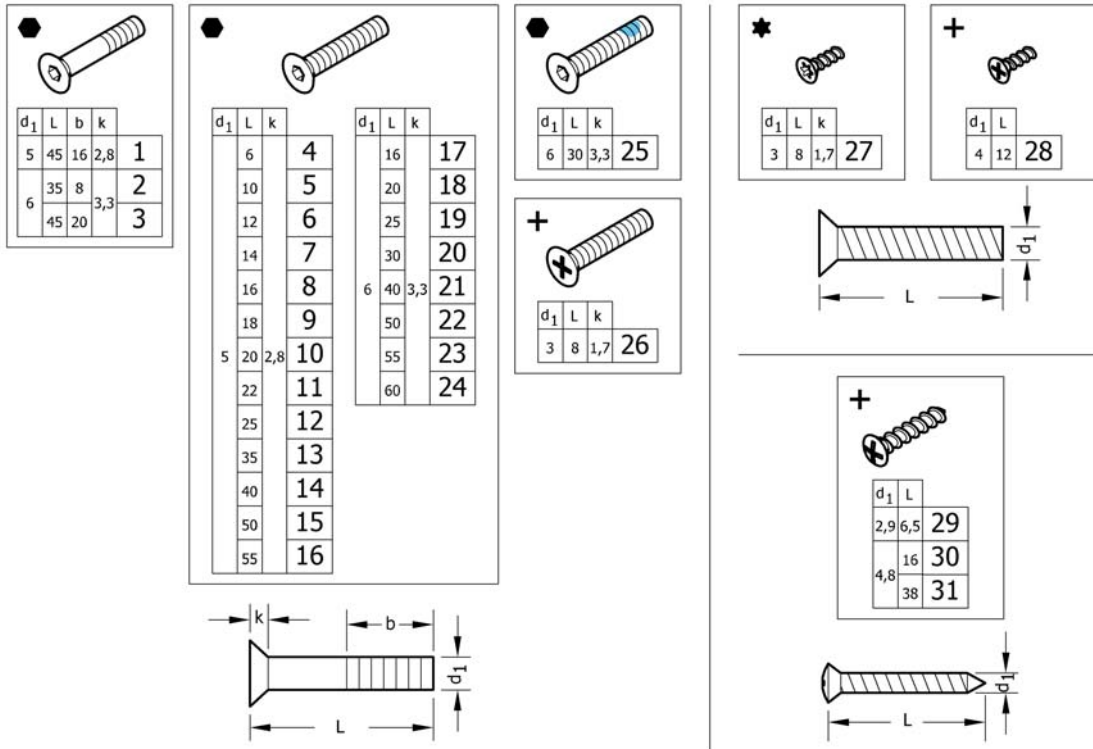
Socket head cap screws

Pos.	Part number	Description	Valid from → until	Qty
18	1579133	Hex socket head cap screws partially threaded, black, M10x90, kit 2 Pcs. <i>Replaces 1496013 (2x)</i>		1
19	1579134	Hex socket head cap screws fully threaded, black, M4x20, kit 25 Pcs. <i>Replaces 100.1050 (25x)</i>		1
20	1579135	Hex socket head cap screws fully threaded, black, M5x8, kit 5 Pcs. <i>Replaces 1493753 (5x)</i>		1
21	1579136	Hex socket head cap screws fully threaded, black, M5x12, kit 25 Pcs. <i>Replaces 100.1084 (25x)</i>		1
22	1579137	Hex socket head cap screws fully threaded, black, M5x18, kit 25 Pcs. <i>Replaces 100.1087 (25x)</i>		1
23	1579138	Hex socket head cap screws fully threaded, black, M5x22, kit 25 Pcs. <i>Replaces 100.1089 (25x)</i>		1
24	1579139	Hex socket head cap screws fully threaded, black, M5x25, kit 25 Pcs. <i>Replaces 100.1090 (25x)</i>		1
25	1579140	Hex socket head cap screws fully threaded, black, M5x35, kit 25 Pcs. <i>Replaces 100.1092 (25x)</i>		1
26	1579141	Hex socket head cap screws fully threaded, black, M6x10, kit 25 Pcs. <i>Replaces 100.1123 (25x)</i>		1
27	1579142	Hex socket head cap screws fully threaded, black, M6x20, kit 25 Pcs. <i>Replaces 100.1128 (25x)</i>		1
28	1579143	Hex socket head cap screws fully threaded, black, M6x25, kit 25 Pcs. <i>Replaces 100.1130 (25x)</i>		1
29	1579144	Hex socket head cap screws fully threaded, black, M6x30, kit 25 Pcs. <i>Replaces 100.1131 (25x)</i>		1
30	1579145	Hex socket head cap screws fully threaded, black, M6x35, kit 25 Pcs. <i>Replaces 100.1132 (25x)</i>		1
31	1579146	Hex socket head cap screws fully threaded, black, M6x40, kit 10 Pcs. <i>Replaces 1563349 (10x)</i>		1
32	1579147	Hex socket head cap screws fully threaded, black, M6x60, kit 10 Pcs. <i>Replaces 100.1137 (10x)</i>		1
33	1579148	Hex socket head cap screws fully threaded, black, M8x20, kit 10 Pcs. <i>Replaces 1510307 (10x)</i>		1
34	1579149	Hex sock.Head cap screws partial.Thread., black, TufLok, M5x45, kit 5 Pcs. <i>Replaces 1496014 (5x)</i>		1
35	1579150	Hex sock.Head cap screws partial.Thread., black, TufLok, M10x60, kit 2 Pcs. <i>Replaces 1496011 (2x)</i>		1
36	1579151	Hex sock.Head cap screws partial.Thread., black, TufLok, M10x75, kit 2 Pcs. <i>Replaces 1496012 (2x)</i>		1
37	1579152	Hex socket head cap screws fully threaded, black, TufLok, M5x18, kit 10 Pcs. <i>Replaces 1425241 (10x)</i>		1
38	1579153	Hex socket head cap screws fully threaded, black, TufLok, M5x25, kit 10 Pcs. <i>Replaces 1570153 (10x)</i>		1
39	1579154	Hex socket head cap screws full.Thread., zi.Blue, TufLok, M6x16, kit 10 Pcs. <i>Replaces 1560219 (10x)</i>		1
40	1579155	Hex socket head cap screws fully threaded, black, TufLok, M6x20, kit 10 Pcs. <i>Replaces 1498775 (10x)</i>		1
41	1579156	Hex sock.Head cap screws, low head, part.Thread., black, M5x20, kit 25 Pcs. <i>Replaces 1438501 (25x)</i>		1
42	1579157	Hex sock.Head cap screws, low head, part.Thread., black, M5x25, kit 25 Pcs. <i>Replaces 1438518 (25x)</i>		1
43	1579158	Hex sock.Head cap screws, low head, part.Thread., black, M5x30, kit 25 Pcs. <i>Replaces 100.5090 (25x)</i>		1
44	1579159	Hex sock.Head cap screws, low head, part.Thread., black, M5x35, kit 25 Pcs. <i>Replaces 100.5091 (25x)</i>		1

Socket head cap screws

Pos.	Part number	Description	Valid from → until	Qty
45	1579160	Hex sock.Head cap screws, low head, part.Thread., black, M6x25, kit 25 Pcs. <i>Replaces 1432120 (25x)</i>		1
46	1579161	Hex sock.Head cap screws, low head, part.Thread., black, M6x30, kit 25 Pcs. <i>Replaces 100.5130 (25x)</i>		1
47	1579162	Hex sock.Head cap screws, low head, part.Thread., black, M6x35, kit 25 Pcs. <i>Replaces 1438504 (25x)</i>		1
48	1579163	Hex sock.Head cap screws, low head, part.Thread., black, M6x40, kit 25 Pcs. <i>Replaces 100.5132 (25x)</i>		1
49	1579164	Hex sock.Head cap screws, low head, part.Thread., black, M6x50, kit 25 Pcs. <i>Replaces 100.5134 (25x)</i>		1
50	1579165	Hex sock.Head cap screws, low head, part.Thread., black, M5x14, kit 25 Pcs. <i>Replaces 100.5085 (25x)</i>		1
51	1579166	Hex sock.Head cap screws, low head, part.Thread., black, M6x18, kit 25 Pcs. <i>Replaces 100.5126 (25x)</i>		1
52	1579167	Hex sock.Head cap screws, low head, part.Thread., black, M6x20, kit 25 Pcs. <i>Replaces 100.5127 (25x)</i>		1
53	1579168	Hex soc.Head cap scr., low head, part.Threa., bl., TufL., M5x10, kit 10 Pcs. <i>Replaces 1496026 (10x)</i>		1
54	1579169	Hex socket head cap screws, special low head, black, M5x10, kit 25 Pcs. <i>Replaces 1437290 (25x)</i>		1
55	1579170	Hex socket head cap screws, special low head, black, M6x6, kit 25 Pcs. <i>Replaces 1425182 (25x)</i>		1
56	1579171	Hex socket head cap screws, special low head, black, M6x16, kit 25 Pcs. <i>Replaces 1541181 (25x)</i>		1
57	1579172	Hex socket head cap screws, special low head, black, M6x20, kit 25 Pcs. <i>Replaces 107.1022 (25x)</i>		1
58	1579173	Hex socket head cap screws, spec.Low head, black, TufLok, M5x6, kit 10 Pcs. <i>Replaces 1532039 (10x)</i>		1
59	1579174	Hex socket head cap screws, spec.Low head, black, TufLok, M6x10, kit 10 Pcs. <i>Replaces 1420946 (10x)</i>		1

Countersunk screws

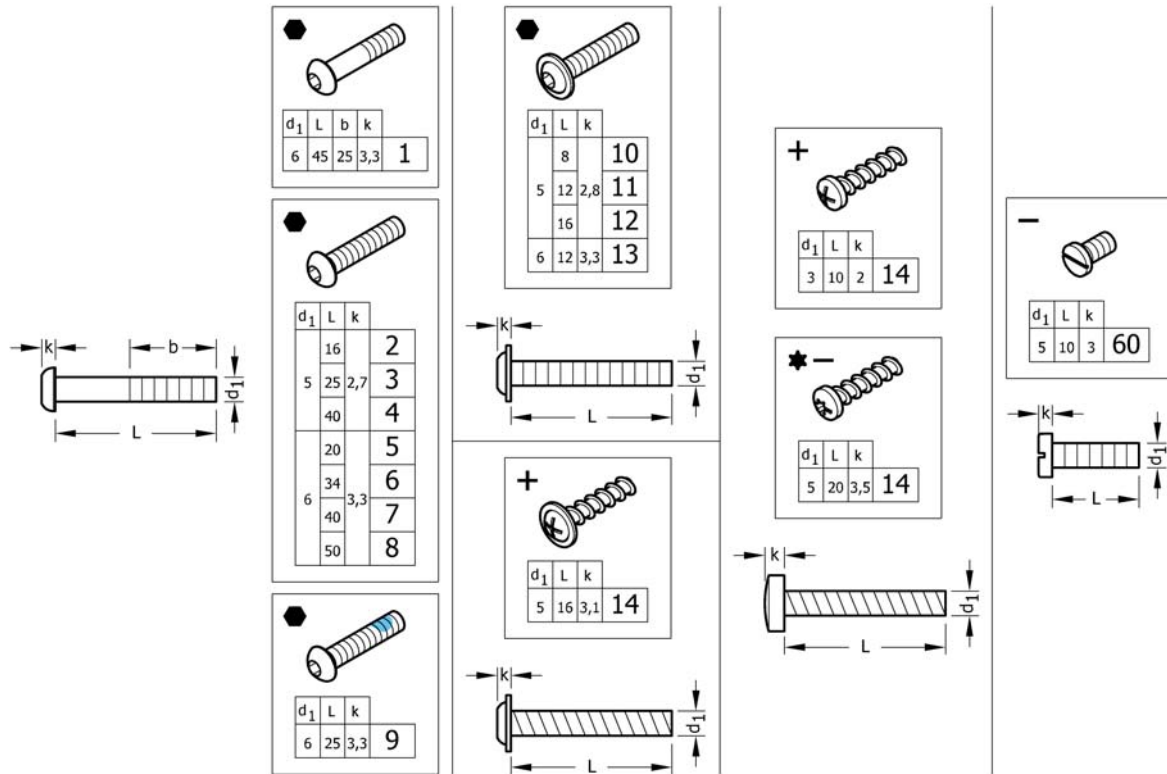


Pos.	Part number	Description	Valid from → until	Qty
1	1579175	Countersunk head screws partially threaded, Black, M5x45, kit 10 Pcs. <i>Replaces 1438773 (10x)</i>		1
2	1579176	Countersunk head screws partially threaded, Black, M6x35, kit 10 Pcs. <i>Replaces 107.1004 (10x)</i>		1
3	1579177	Countersunk head screws partially threaded, Black, M6x45, kit 10 Pcs. <i>Replaces 100.3133 (10x)</i>		1
4	1579178	Countersunk head screws fully threaded, Black, M5x6, kit 25 Pcs. <i>Replaces 1445273 (25x)</i>		1
5	1579179	Countersunk head screws fully threaded, Black, M5x10, kit 25 Pcs. <i>Replaces 100.3082 (25x)</i>		1
6	1579180	Countersunk head screws fully threaded, Black, M5x12, kit 25 Pcs. <i>Replaces 1438999 (25x)</i>		1
7	1579181	Countersunk head screws fully threaded, Black, M5x14, kit 25 Pcs. <i>Replaces 107.1015 (25x)</i>		1
8	1579182	Countersunk head screws fully threaded, Black, M5x16, kit 25 Pcs. <i>Replaces 100.3085 (25x)</i>		1
9	1579183	Countersunk head screws fully threaded, Black, M5x18, kit 25 Pcs. <i>Replaces 100.3086 (25x)</i>		1
10	1579184	Countersunk head screws fully threaded, Black, M5x20, kit 25 Pcs. <i>Replaces 100.3087 (25x)</i>		1
11	1579185	Countersunk head screws fully threaded, Black, M5x22, kit 25 Pcs. <i>Replaces 1416930 (25x)</i>		1
12	1579186	Countersunk head screws fully threaded, Black, M5x25, kit 25 Pcs. <i>Replaces 100.3089 (25x)</i>		1
13	1579187	Countersunk head screws fully threaded, Black, M5x35, kit 25 Pcs. <i>Replaces 100.3091 (25x)</i>		1
14	1579188	Countersunk head screws fully threaded, Black, M5x40, kit 25 Pcs. <i>Replaces 1432148 (25x)</i>		1
15	1579189	Countersunk head screws fully threaded, Black, M5x50, kit 25 Pcs. <i>Replaces 100.3094 (25x)</i>		1
16	1579190	Countersunk head screws fully threaded, Black, M5x55, kit 25 Pcs. <i>Replaces 100.3095 (25x)</i>		1
17	1579191	Countersunk head screws fully threaded, Black, M6x16, kit 25 Pcs. <i>Replaces 100.3125 (25x)</i>		1
18	1579192	Countersunk head screws full.Threaded, zinc flake coat., M6x20, kit 25 Pcs. <i>Replaces 100.3127 (25x)</i>		1

Countersunk screws

Pos.	Part number	Description	Valid from → until	Qty
18	1579193	Countersunk head screws fully threaded, Black, M6x20, kit 25 Pcs. <i>Replaces 1437809 (25x)</i>		1
19	1579194	Countersunk head screws fully threaded, Black, M6x25, kit 25 Pcs. <i>Replaces 100.3129 (25x)</i>		1
20	1579195	Countersunk head screws fully threaded, Black, M6x30, kit 25 Pcs. <i>Replaces 100.3130 (25x)</i>		1
21	1579196	Countersunk head screws fully threaded, Black, M6x40, kit 25 Pcs. <i>Replaces 100.3132 (25x)</i>		1
22	1579197	Countersunk head screws fully threaded, Black, M6x50, kit 25 Pcs. <i>Replaces 100.3134 (25x)</i>		1
23	1579198	Countersunk head screws fully threaded, Black, M6x55, kit 25 Pcs. <i>Replaces 100.3135 (25x)</i>		1
24	1579199	Countersunk head screws fully threaded, Black, M6x60, kit 25 Pcs. <i>Replaces 100.3136 (25x)</i>		1
25	1579200	Countersunk head screws fully threaded, Black, TufLok, M6x30, kit 25 Pcs. <i>Replaces 1550479 (25x)</i>		1
26	1579201	Countersunk head screws fully threaded, zi.Blue, M3x8, kit 25 Pcs. <i>Replaces 1529279 (25x)</i>		1
27	1579202	Countersunk head PT screws, Torx, stainless steel, 3x8, kit 25 Pcs. <i>Replaces 1529278 (25x)</i>		1
28	1579203	Countersunk head PT screws, Black, KA40x12, kit 25 Pcs. <i>Replaces 1438513 (25x)</i>		1
29	1579204	Countersunk head tapping screws with cone end, Black, ST2,9x6,5, kit 25 Pcs. <i>Replaces 126.5041 (25x)</i>		1
30	1579205	Countersunk head tapping screws with cone end, Black, ST4,8x16, kit 25 Pcs. <i>Replaces 126.5202 (25x)</i>		1
31	1579206	Countersunk head tapping screws with cone end, Black, ST4,8x38, kit 25 Pcs. <i>Replaces 126.5207 (25x)</i>		1

Button head screws

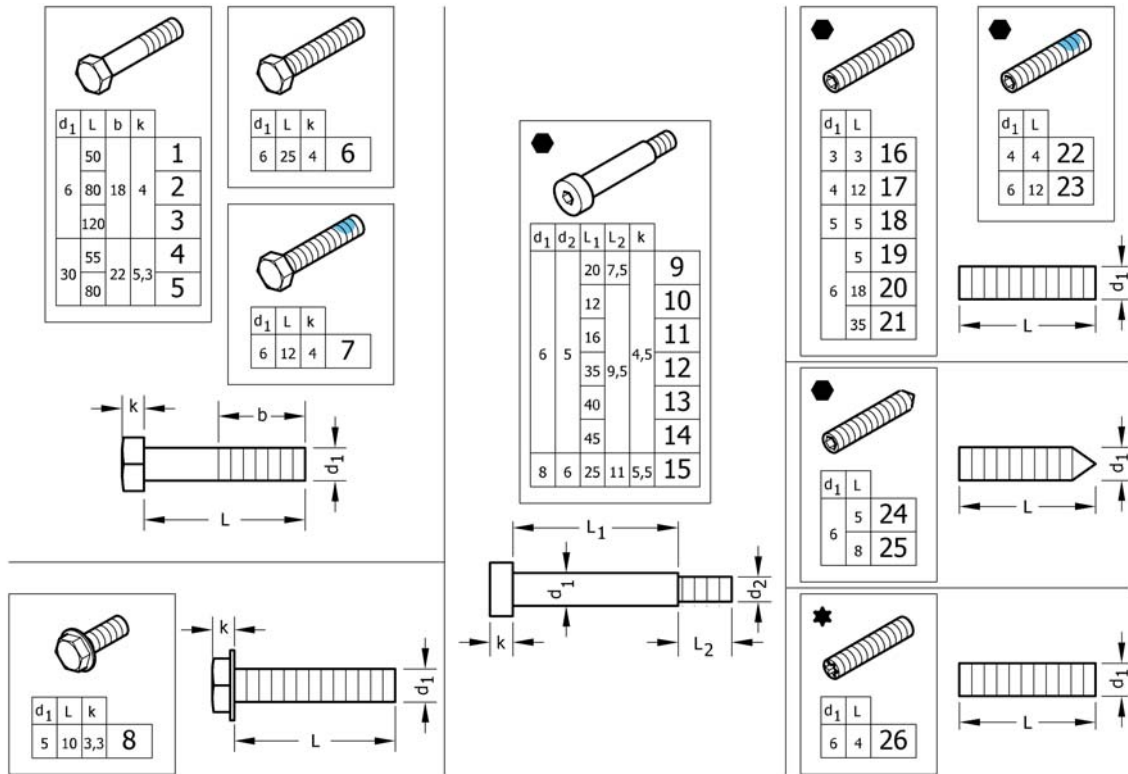


Pos.	Part number	Description	Valid from → until	Qty
1	1579259	Hex sock.Button head cap screws partially thread., Black, M6x45, kit 25 Pcs. <i>Replaces 1438507 (25x)</i>		1
2	1579260	Hex socket button head cap screws fully threaded, Black, M5x16, kit 25 Pcs. <i>Replaces 1445341-0003 (25x)</i>		1
3	1579261	Hex socket button head cap screws fully threaded, Black, M5x25, kit 25 Pcs. <i>Replaces 107.1021 (25x)</i>		1
4	1579262	Hex socket button head cap screws fully threaded, Black, M5x40, kit 25 Pcs. <i>Replaces 1445101-0003 (25x)</i>		1
5	1579263	Hex socket button head cap screws fully threaded, Black, M6x20, kit 25 Pcs. <i>Replaces 1439153 (25x)</i>		1
6	1579264	Hex socket button head cap screws fully threaded, Black, M6x34, kit 25 Pcs. <i>Replaces 1438506-0003 (25x)</i>		1
7	1579265	Hex socket button head cap screws fully threaded, Black, M6x40, kit 25 Pcs. <i>Replaces 1439530-0003 (25x)</i>		1
8	1579266	Hex socket button head cap screws fully threaded, Black, M6x50, kit 25 Pcs. <i>Replaces 1439531-0003 (25x)</i>		1
9	1579267	Hex sock.But.Head cap screws full.Thread., Black, TufLok, M6x25, kit 25 Pcs. <i>Replaces 1438505 (25x)</i>		1
10	1579268	Button head socket cap screws with flange, Black, M5x8, kit 25 Pcs. <i>Replaces 1536268 (25x)</i>		1
11	1579269	Button head socket cap screws with flange, Black, M5x12, kit 25 Pcs. <i>Replaces 1529290 (25x)</i>		1
12	1579270	Button head socket cap screws with flange, Black, M5x16, kit 25 Pcs. <i>Replaces 1445102-0003 (25x)</i>		1
13	1579271	Button head socket cap screws with flange, Black, M6x12, kit 25 Pcs. <i>Replaces 1432204 (25x)</i>		1
14	1579272	Round washer head PT® screws, form H, zinc plated blue, M5x16, kit 25 Pcs. <i>Replaces 1536057 (25x)</i>		1

Button head screws

Pos.	Part number	Description	Valid from → until	Qty
15	1579273	Pan head PT screws, form H, zinc plated blue, M3x10, kit 25 Pcs. <i>Replaces ZM003510A (25x)</i>		1
16	1579274	Pan head PT screws, Torx, Black, M5x20, kit 25 Pcs. <i>Replaces 1424569 (25x)</i>		1
17	1579275	Slotted machine screws, Black, M5x10, kit 25 Pcs. <i>Replaces 102.2083 (25x)</i>		1

Hex-head screws, diverse, ...

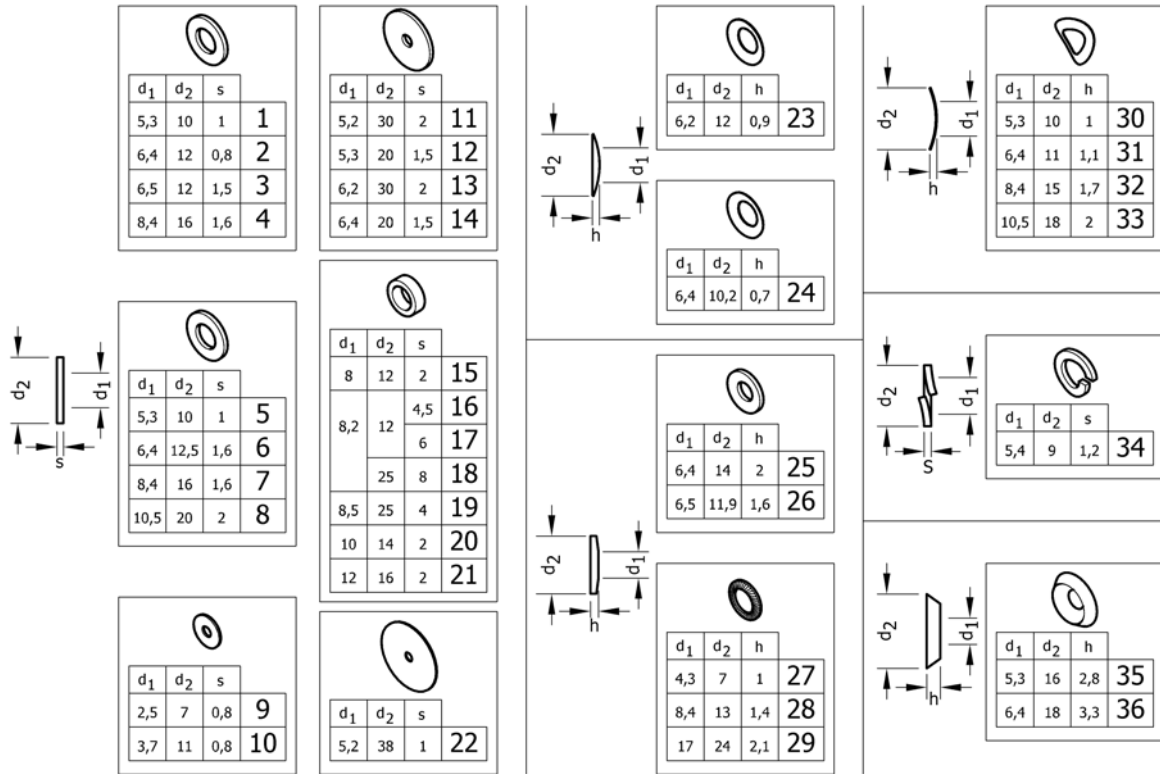


Pos.	Part number	Description	Valid from → until	Qty
1	1579276	Hex head bolts partially threaded, Black, M6x50, kit 10 Pcs. <i>Replaces 101.1134 (10x)</i>		1
2	1579277	Hex head bolts partially threaded, Black, M6x80, kit 10 Pcs. <i>Replaces 1438508 (10x)</i>		1
3	1579278	Hex head bolts partially threaded, Black, M6x120, kit 10 Pcs. <i>Replaces 1438509 (10x)</i>		1
4	1579279	Hex head bolts partially threaded, Black, M8x55, kit 10 Pcs. <i>Replaces 101.1174 (10x)</i>		1
5	1579280	Hex head bolts partially threaded, Black, M8x80, kit 10 Pcs. <i>Replaces 101.1179 (10x)</i>		1
6	1579281	Hex head screws fully threaded, Black, M6x25, kit 10 Pcs. <i>Replaces 1437299 (10x)</i>		1
7	1579282	Hex head screws fully threaded, Black, TufLok, M6x12, kit 10 Pcs. <i>Replaces 1564245 (10x)</i>		1
8	1579283	Hex flange head machine screws with flangeBlack, M5x10, kit 10 Pcs. <i>Replaces 107.1014 (10x)</i>		1
9	1579295	Hex socket head shoulder bolts, Black, Ø6x20 / M5, kit 4 Pcs. <i>Replaces 1488934-0003 (4x)</i>		1
10	1579296	Hex socket head shoulder bolts, Black, Ø6x12 / M5, kit 4 Pcs. <i>Replaces 1564246 (4x)</i>		1
11	1579297	Hex socket head shoulder bolts, Black, Ø6x16 / M5, kit 4 Pcs. <i>Replaces 1529291 (4x)</i>		1
12	1579298	Hex socket head shoulder bolts, Black, Ø6x35 / M5, kit 4 Pcs. <i>Replaces 1496034 (4x)</i>		1
13	1579299	Hex socket head shoulder bolts, Black, Ø6x40 / M5, kit 4 Pcs. <i>Replaces 107.1023 (4x)</i>		1
14	1579300	Hex socket head shoulder bolts, Black, Ø6x45 / M5, kit 4 Pcs. <i>Replaces 1496030 (4x)</i>		1
15	1579301	Hex socket head shoulder bolts, Black, Ø8x25 / M6, kit 4 Pcs. <i>Replaces ZM008252A (4x)</i>		1
16	1579284	Hex socket set screws with flat point, Black, M3x3, kit 25 Pcs. <i>Replaces 116.1001 (25x)</i>		1
17	1579285	Hex socket set screws with flat point, Black, M4x12, kit 25 Pcs. <i>Replaces 116.1046 (25x)</i>		1
18	1579286	Hex socket set screws with flat point, zinc plated blue, M5x5, kit 25 Pcs. <i>Replaces 116.1081 (25x)</i>		1

Hex-head screws, diverse, ...

Pos.	Part number	Description	Valid from → until	Qty
19	1579287	Hex socket set screws with flat point, Black, M6x5, kit 25 Pcs. <i>Replaces 1437272 (25x)</i>		1
20	1579288	Hex socket set screws with flat point, zinc plated blue, M6x18, kit 25 Pcs. <i>Replaces 1559106 (25x)</i>		1
21	1579289	Hex socket set screws with flat point, Black, M6x35, kit 25 Pcs. <i>Replaces 116.1133 (25x)</i>		1
22	1579290	Hex socket set screws with flat point, Black, TufLok, M4x4, kit 10 Pcs. <i>Replaces 1493792 (10x)</i>		1
23	1579291	Hex socket set screws with flat point, Z.Plat.Bl., TufLok, M6x12, kit 10Pcs. <i>Replaces 1439057 (10x)</i>		1
24	1579292	Hex socket set screws with cone point, Black, M6x5, kit 25 Pcs. <i>Replaces 116.2121 (25x)</i>		1
25	1579293	Hex socket set screws with cone point, Black, M6x8, kit 25 Pcs. <i>Replaces 116.2123 (25x)</i>		1
26	1579294	Screws with cup point, Torx, zinc plated blue, M6x4, kit 25 Pcs. <i>Replaces 1567763 (25x)</i>		1

Washers

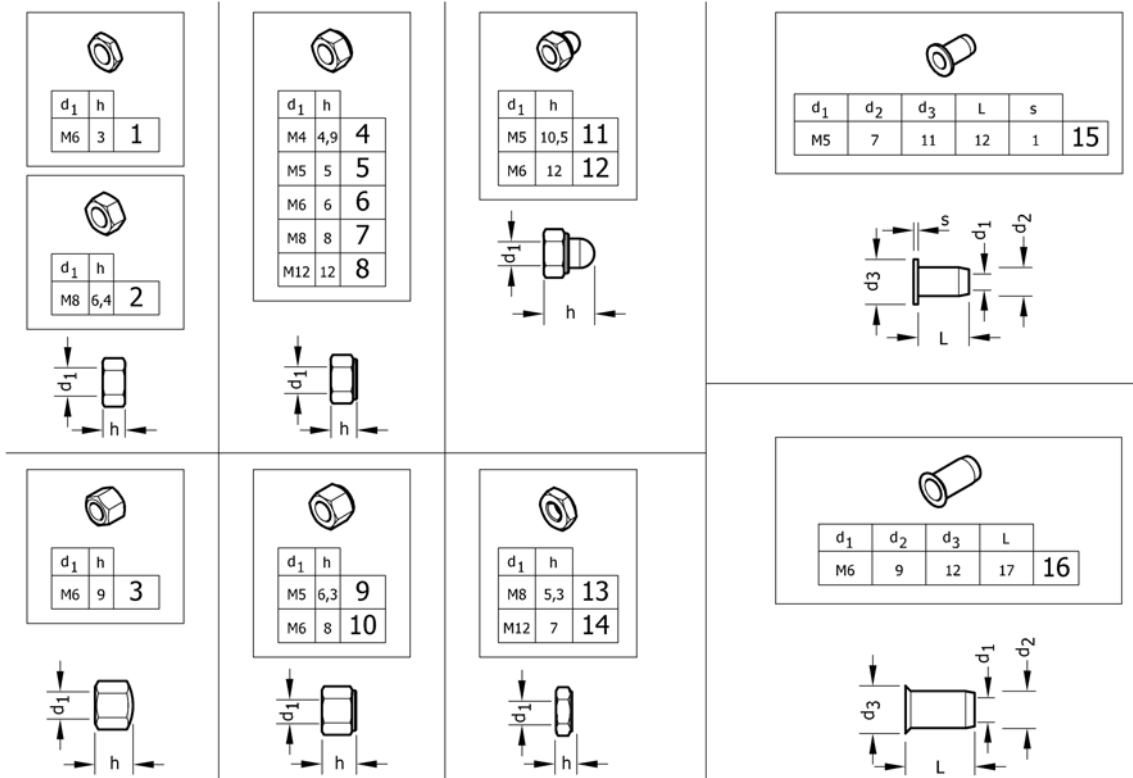


Pos.	Part number	Description	Valid from → until	Qty
1	1579225	Flat washers without chamfer, black, 5,3x10x1, kit 50 Pcs. <i>Replaces 150.1004 (50x)</i>		1
2	1579226	Flat washers without chamfer, black, 6,4x12x0,8, kit 50 Pcs. <i>Replaces 150.2001 (50x)</i>		1
3	1579227	Flat washers without chamfer, zinc plated blue, 6,5x12x1,5, kit 50 Pcs. <i>Replaces 5729091 (50x)</i>		1
4	1579228	Flat washers without chamfer, black, 8,4x16x1,6, kit 50 Pcs. <i>Replaces 150.1012 (50x)</i>		1
5	1579229	Flat washers without chamfer, polyamide, 5,3x10x1, kit 50 Pcs. <i>Replaces 150.3003 (50x)</i>		1
6	1579230	Flat washers without chamfer, polyamide, 6,4x12,5x1,6, kit 50 Pcs. <i>Replaces 150.3004 (50x)</i>		1
7	1579231	Flat washers without chamfer, polyamide, 8,4x16x1,6, kit 50 Pcs. <i>Replaces 150.3005 (50x)</i>		1
8	1579232	Flat washers without chamfer, polyamide, 10,5x20x2, kit 50 Pcs. <i>Replaces 150.3006 (50x)</i>		1
9	1579233	Flat washers without chamfer, zinc plated blue, 2,5x7x0,8, kit 50 Pcs. <i>Replaces 150.2012 (50x)</i>		1
10	1579234	Flat washers without chamfer, zinc plated blue, 3,7x11x0,8, kit 50 Pcs. <i>Replaces ZM203501A (50x)</i>		1
11	1579235	Flat washers without chamfer, black, 5,2x30x2, kit 20 Pcs. <i>Replaces 150.2006 (20x)</i>		1
12	1579236	Flat washers without chamfer, black, 5,3x20x1,5, kit 50 Pcs. <i>Replaces 150.2010 (50x)</i>		1
13	1579237	Flat washers without chamfer, black, 6,2x30x2, kit 20 Pcs. <i>Replaces 150.2009 (20x)</i>		1
14	1579238	Flat washers without chamfer, black, 6,4x25x1,5, kit 50 Pcs. <i>Replaces 1451753 (50x)</i>		1
15	1579239	Hinge rings, black, 8x12x2, kit 50 Pcs. <i>Replaces 150.5002 (50x)</i>		1
16	1579240	Distance sleeve, alu, 8,2x12x4,5, kit 20 Pcs. <i>Replaces 1420970 (20x)</i>		1
17	1579241	Distance sleeve, alu, 8,2x12x6, kit 20 Pcs. <i>Replaces 1420969 (20x)</i>		1
18	1581292	Distance sleeve, alu, 8,2x25x8, kit 2 Pcs. <i>Replaces 151.1002 (2x)</i>		1

Washers

Pos.	Part number	Description	Valid from → until	Qty
19	1583052	Distance sleeve, alu, black, 8,5x25x4, kit 10 Pcs. <i>Replaces 151.1014 (10x)</i>		1
20	1579242	Hinge rings, zinc plated blue, 10x14x2, kit 50 Pcs. <i>Replaces 1506666 (50x)</i>		1
21	1579243	Hinge rings, black, 12x16x2, kit 50 Pcs. <i>Replaces 150.5006 (50x)</i>		1
22	1579244	Rubber washers, 5,2x38x1, kit 20 Pcs. <i>Replaces 1424891 (20x)</i>		1
23	1579245	Disc springs, black, 6,2x12x0,9, kit 50 Pcs. <i>Replaces 160.1015 (50x)</i>		1
24	1579246	Conical spring washers, zinc plated blue, 6,4x10,2x0,7, kit 50 Pcs. <i>Replaces 161.1004 (50x)</i>		1
25	1579247	Conical spring washers, black, 6,4x14x2, kit 50 Pcs. <i>Replaces 161.2004 (50x)</i>		1
26	1579248	Conical spring washers, zinc plated blue, 6,5x11,9x1,6, kit 50 Pcs. <i>Replaces ZM206001A (50x)</i>		1
27	1579249	Ribbed lock washers, black, 4,3x7x1, kit 50 Pcs. <i>Replaces 155.2002 (50x)</i>		1
28	1579250	Ribbed lock washers, zinc plated blue, 8,4x13x1,4, kit 50 Pcs. <i>Replaces 155.2005 (50x)</i>		1
29	1579251	Ribbed lock washers, zinc plated blue, 17x24x2,1, kit 50 Pcs. <i>Replaces 155.2009 (50x)</i>		1
30	1579252	Curved spring washers, black, 5,3x10x1, kit 50 Pcs. <i>Replaces 1438515 (50x)</i>		1
31	1579253	Curved spring washers, black, 6,4x11x1,1, kit 50 Pcs. <i>Replaces 1438516 (50x)</i>		1
32	1579254	Curved spring washers, zinc plated blue, 8,4x15x1,7, kit 50 Pcs. <i>Replaces ZM208003A (50x)</i>		1
33	1579255	Curved spring washers, zinc plated blue, 10,5x18x2, kit 50 Pcs. <i>Replaces ZM201581A (50x)</i>		1
34	1579256	Split spring lock washers, black, 5,4x9x1,2, kit 50 Pcs. <i>Replaces 155.1003 (50x)</i>		1
35	1579257	Finishing washers 90° countersunk head screw, black, 5,3x16x2,8, kit 50 Pcs. <i>Replaces 150.6003 (50x)</i>		1
36	1579258	Finishing washers 90° countersunk head screw, black, 6,4x18x3,3, kit 50 Pcs. <i>Replaces 150.6004 (50x)</i>		1

Nuts

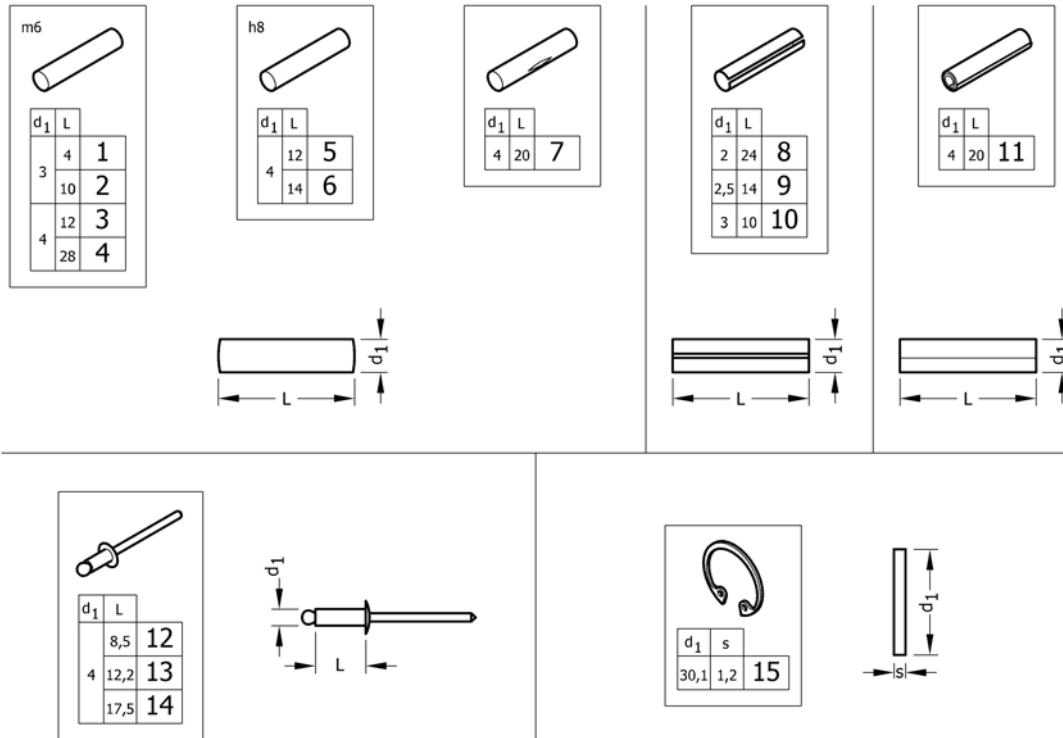


Pos.	Part number	Description	Valid from → until	Qty
1	1579207	Hex jam nuts, black, M6, kit 25 Pcs. <i>Replaces 108.3004 (25x)</i>		1
2	1579208	Hexagon nuts , black, M8, kit 25 Pcs. <i>Replaces 1420997 (25x)</i>		1
3	1579209	Hex cap nuts, low type, black, M6, kit 25 Pcs. <i>Replaces 109.5009 (25x)</i>		1
4	1579210	Prev.Torque lock nuts, thin type, with polyam.Insert, black, M4, kit 25 Pcs. <i>Replaces 109.1002 (25x)</i>		1
5	1579211	Prev.Torque lock nuts, thin type, with polyam.Insert, black, M5, kit 25 Pcs. <i>Replaces 109.1003 (25x)</i>		1
5	1579212	Prev.Torque lock nuts, thin type, with polya.Insert, zi.Bl., M5, kit 25 Pcs. <i>Replaces 109.5008 (25x)</i>		1
6	1579213	Prev.Torque lock nuts, thin type, with polyam.Insert, black, M6, kit 25 Pcs. <i>Replaces 109.1004 (25x)</i>		1
6	1579214	Prev.Torque lock nuts, thin type, with polya.Insert, zi.Bl., M6, kit 25 Pcs. <i>Replaces ZM106001A (25x)</i>		1
7	1579215	Prev.Torque lock nuts, thin type, with polyam.Insert, black, M8, kit 25 Pcs. <i>Replaces 109.1005 (25x)</i>		1
8	1579216	Prev.Torque lock nuts, thin type, with polya.Insert, black, M12, kit 4 Pcs. <i>Replaces 109.1007 (4x)</i>		1
9	1579217	Preva.Torq.Hex lock nuts, high type with poly.Insert, black, M5, kit 25 Pcs. <i>Replaces 1493771 (25x)</i>		1
10	1579218	Preva.Torq.Hex lock nuts, high type with poly.Insert, black, M6, kit 25 Pcs. <i>Replaces 109.5001 (25x)</i>		1
11	1579219	Prevail.Torque hex domed cap nuts with polyam.Insert, black, M5, kit 25 Pcs. <i>Replaces 109.5006 (25x)</i>		1
12	1579220	Prevail.Torque hex domed cap nuts with polyam.Insert, black, M6, kit 25 Pcs. <i>Replaces 109.5003 (25x)</i>		1
13	1579221	Prevailing torque hex lock nuts, all-metal, thin typeblack, M8, kit 10 Pcs. <i>Replaces 109.5005 (10x)</i>		1
14	1579222	Prevailing torque hex lock nuts, all-metal, thin typeblack, M12, kit 4 Pcs. <i>Replaces 109.5004 (4x)</i>		1
15	1579223	Blind rivet nuts, flat head, open type, black, M5, kit 10 Pcs. <i>Replaces 180.4007 (10x)</i>		1

Nuts

Pos.	Part number	Description	Valid from → until	Qty
16	1579224	Blind rivet nut with low countersunk head, open type, black, M6, kit 10 Pcs. <i>Replaces 180.4105 (10x)</i>		1

Pins, rivets, ...



Pos.	Part number	Description	Valid from → until	Qty
1	1579302	Parallel pins, Ø3x4 m6, kit 10 Pcs. <i>Replaces 1439336 (10x)</i>		1
2	1579303	Parallel pins, Ø3x10 m6, kit 10 Pcs. <i>Replaces 1439337 (10x)</i>		1
3	1579304	Parallel pins, Ø4x12 m6, kit 20 Pcs. <i>Replaces 200.1124 (20x)</i>		1
4	1579305	Parallel pins, Ø4x28 m6, kit 20 Pcs. <i>Replaces 1437344 (20x)</i>		1
5	1579306	Parallel pins, Ø4x12 h8, kit 20 Pcs. <i>Replaces 1487663 (20x)</i>		1
6	1579307	Parallel pins, Ø4x14 h8, kit 20 Pcs. <i>Replaces 1487662 (20x)</i>		1
7	1579308	Grooved pins, center grooved, Ø4x20, kit 20 Pcs. <i>Replaces 1517718 (20x)</i>		1
8	1579309	Slotted spring pins, heavy duty, Black, Ø2x24, kit 20 Pcs. <i>Replaces 200.4011 (20x)</i>		1
9	1579310	Slotted spring pins, heavy duty, Black, Ø2,5x14, kit 20 Pcs. <i>Replaces 200.4007 (20x)</i>		1
10	1579311	Slotted spring pins, heavy duty, stainless steel, Ø3x10, kit 20 Pcs. <i>Replaces 1567997 (20x)</i>		1
11	1579312	Spiral spring pins, Black, Ø4x20, kit 20 Pcs. <i>Replaces 200.3167 (20x)</i>		1
12	1579313	Dome head blind rivets, Ø4x8,5, kit 20 Pcs. <i>Replaces 1439292 (20x)</i>		1
13	1579314	Dome head blind rivets, Ø4x12,2, kit 20 Pcs. <i>Replaces 180.5116 (20x)</i>		1
14	1579315	Dome head blind rivets, Ø4x17,5, kit 20 Pcs. <i>Replaces 180.5019 (20x)</i>		1
15	1579316	Retaining rings for bores, Std.Design, Z.plat.Blue, Ø30,1X1,2, kit 20 Pcs. <i>Replaces ZM50J281A (20x)</i>		1



Yes, you can.®



Belgium & Luxemburg:

Invacare nv, Autobaan 22, B-8210 Loppem
Tel: (32) (0)50 83 10 10, Fax: (32) (0)50 83 10 11
belgium@invacare.com / www.invacare.be

Denmark:

Invacare A/S, Sdr. Ringvej 37, DK-2605 Brøndby
Tel: (45) (0)36 90 00 00, Fax: (45) (0)36 90 00 01
denmark@invacare.com / www.invacare.dk

Deutschland:

Invacare Aquatec GmbH, Alemannenstraße 10, D-88316 Isny
Tel: (49) (0)75 62 7 00 0, Fax: (49) (0)75 62 7 00 66
info@invacare-aquatec.com / www.invacare-aquatec.de

European Distributor Organisation:

Invacare, Kleiststraße 49, D-32457 Porta Westfalica
Tel: (49) (0)57 31 754 540, Fax: (49) (0)57 31 754 541
edo@invacare.com / www.invacare.eu.com

España:

Invacare SA, c/Areny s/n, Polígon Industrial de Celrà, E-17460 Celrà (Girona)
Tel: (34) (0)972 49 32 00, Fax: (34) (0)972 49 32 20
contactsp@invacare.com / www.invacare.es

France:

Invacare Poirier SAS, Route de St Roch, F-37230 Fondettes
Tel: (33) (0)2 47 62 64 66, Fax: (33) (0)2 47 42 12 24
contactfr@invacare.com / www.invacare.fr

Ireland:

Invacare Ireland Ltd, Unit 5 Seatown Business Campus, Seatown Road, Swords, County Dublin - Ireland
Tel: (353) 1 810 7084, Fax: (353) 1 810 7085
ireland@invacare.com / www.invacare.ie

Italia:

Invacare Mecc San s.r.l., Via dei Pini 62, I-36016 Thiene (VI)
Tel: (39) 0445 38 00 59, Fax: (39) 0445 38 00 34
italia@invacare.com / www.invacare.it

Nederland:

Invacare BV, Celsiusstraat 46, NL-6716 BZ Ede
Tel: (31) (0)318 695 757, Fax: (31) (0)318 695 758
nederland@invacare.com, csede@invacare.com / www.invacare.nl

Norge:

Invacare AS, Grensesvingen 9, Postboks 6230, Etterstad, N-0603 Oslo
Tel: (47) (0)22 57 95 00, Fax: (47) (0)22 57 95 01
norway@invacare.com, island@invacare.com / www.invacare.no

Österreich:

Invacare Austria GmbH, Herzog Odilostrasse 101, A-5310 Mondsee
Tel: (43) 6232 5535 0, Fax: (43) 6232 5535 4
info-austria@invacare.com / www.invacare.at

Portugal:

Invacare Lda, Rua Estrada Velha, 949, P-4465-784 Leça do Balio
Tel: (351) (0)225 1059 46/47, Fax: (351) (0)225 1057 39
portugal@invacare.com / www.invacare.pt

Sverige & Suomi:

Invacare AB, Fagerstagatan 9, S-163 91 Spånga
Tel: (46) (0)8 761 70 90, Fax: (46) (0)8 761 81 08
sweden@invacare.com, finland@invacare.com / www.invacare.se

Switzerland:

Invacare AG, Benkenstrasse 260, CH-4108 Witterswil
Tel: (41) (0)61 487 70 80, Fax: (41) (0)61 487 70 81
switzerland@invacare.com / www.invacare.ch

United Kingdom:

Invacare Limited, Pencoed Technology Park, Pencoed, Bridgend CF35 5AQ
Switchboard Tel: (44) (0)1656 776200, Fax: (44) (0)1656 776201
Customer services Tel: (44) (0)1656 776222, Fax: (44) (0)1656 776220
uk@invacare.com / www.invacare.co.uk