

Spare Parts Catalogue

Version: 2016/05/13a EN



KÜSCHALL K-SERIES *attract*



Yes, you can.®

General Information

For any order of spare parts the following information is required:

- Product type*
- Product name & model*
- Serial Number*
- Part-Number*
- Part-Description*

Exploded view drawings and code numbers are not contractual and subject to modification, in relation to Invacare® continuous product improvement policy to meet end users needs.

The reproduction or use of this work, or of any substantial part of this work, in any form or by any electronic, mechanical or other means, including photocopying, scanning and recording, and in any information storage and retrieval system, including electronic transmission, is forbidden without the prior written permission of Invacare® International Sarl.



Yes, you can.®

TABLE OF CONTENTS

INFORMATION

| | |
|---------------------|---|
| INFORMATION | 5 |
| Abbreviations | 6 |
| Frame colours | 7 |

CHASSIS

| | |
|-------------------------------------|----|
| CHASSIS | 9 |
| Frame Aluminium 75° adducted | 10 |
| Frame Aluminium 90° adducted | 12 |
| Axle tube Aluminium | 14 |
| Axle holder | 15 |
| Rear wheel extension standard | 16 |

SEAT

| | |
|-----------------------------|----|
| SEAT | 17 |
| Seat module | 18 |
| Seatcover standard | 20 |
| Seatcover adjustable | 22 |
| Seat cushion standard | 24 |

BACKREST

| | |
|---|----|
| BACKREST | 25 |
| Straight bar backrest | 26 |
| Küschall backrest parts for Matrix backs | 27 |
| Bands to adjustable backrest | 28 |
| Cover to adjustable backrest | 29 |
| Push handles, height adjustable, rear set | 30 |

FOOTREST

| | |
|--|----|
| FOOTREST | 31 |
| Footrest standard for adducted frame | 32 |
| Footrest angle adjustable for adducted frame | 34 |
| Footrest standard highmounted for adducted frame | 35 |
| Footrest angle adjustable highmounted for adducted frame | 37 |
| Calf strap | 38 |

SIDERESTS

| | |
|----------------------------------|----|
| SIDERESTS | 39 |
| Clothes-guards composite | 40 |
| Clothes-guards carbon | 41 |
| Mudguards composite | 42 |
| Mudguards carbon | 43 |
| Siderest height adjustable | 44 |

FRONT WHEELS

| | |
|---|----|
| FRONT WHEELS | 45 |
| Front forks standard | 46 |
| Configuration table for front fork size | 47 |



Yes, you can.®

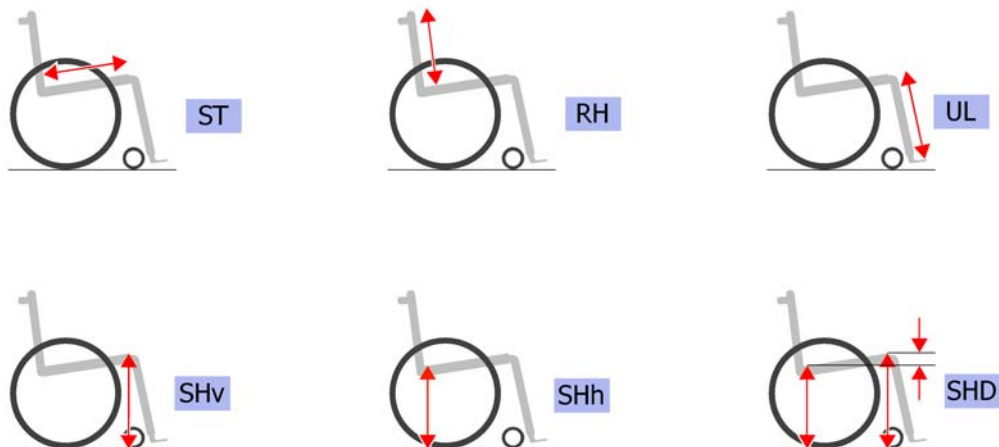
TABLE OF CONTENTS

| | |
|---|----|
| Front wheels | 48 |
| REAR WHEELS | |
| REAR WHEELS | 49 |
| Economy wheel | 50 |
| 24" Kuschall rear wheels complete | 51 |
| High Performance wheel | 52 |
| Spinergy LXX wheel | 53 |
| Handrim | 54 |
| Fixation handrim | 55 |
| Tyre | 56 |
| Inner tube and rim protector | 57 |
| Spoke guard | 58 |
| Quick release axle and bearing | 59 |
| BRAKES | |
| BRAKES | 60 |
| Brakes | 61 |
| SAFETY OPTIONS | |
| SAFETY OPTIONS | 62 |
| Seatbelt for transportation | 63 |
| SEAT ACCESSORIES | |
| SEAT ACCESSORIES | 64 |
| Seat frame bag | 65 |
| OPTIONS & ACCESSORIES | |
| OPTIONS & ACCESSORIES | 66 |
| Antitipper | 67 |
| Tipper aid | 68 |
| Cane holder | 69 |
| Chair accessories | 70 |

INFORMATION

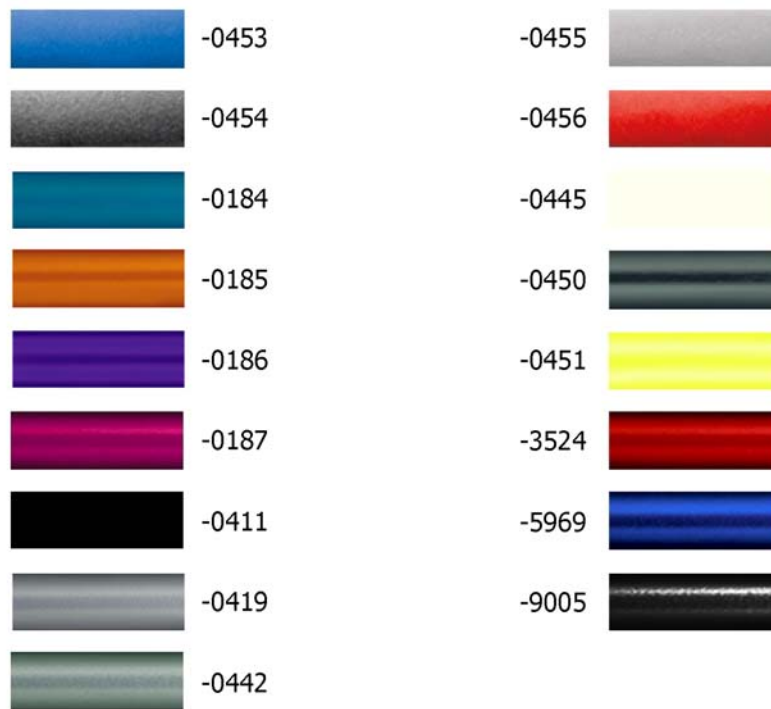
| Pos. | Part number | Description | Valid from → until | Qty |
|-------------|--------------------|--------------------|---------------------------|------------|
| 1 | - | Abbreviations | | 1 |
| 2 | - | Frame colours | | 1 |

Abbreviations



| Pos. | Part number | Description | Valid from → until | Qty |
|------|-------------|---|--------------------|-----|
| L | - | Left side (sitting in the wheelchair) | | 0 |
| R | - | Right side (sitting in the wheelchair) | | 0 |
| L+R | - | Left an right sides (paire) | | 0 |
| SB | - | Seat width (2 digits in cm or 3 digits in mm) | | 0 |
| ST | - | Seat depth (2 digits in cm or 3 digits in mm) | | 0 |
| RH | - | Backrest height (2 digits in cm or 3 digits in mm) | | 0 |
| UL | - | Knee-to-heel length (2 digits in cm or 3 digits in mm) | | 0 |
| SHv | - | Front seat-to-floor height (2 digits in cm or 3 digits in mm) | | 0 |
| SHh | - | Rear seat-to-floor height (2 digits in cm or 3 digits in mm) | | 0 |
| SHD | - | Front and rear seat-to-floor height difference (2 digits in cm or 3 digits in mm) | | 0 |

Frame colours

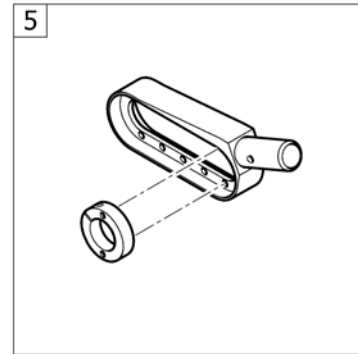
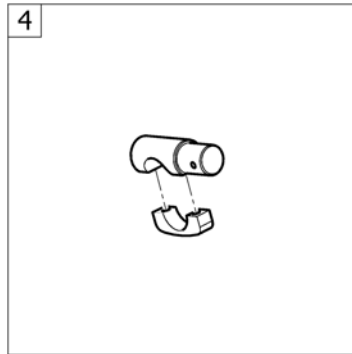
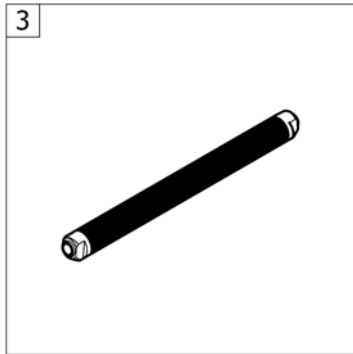
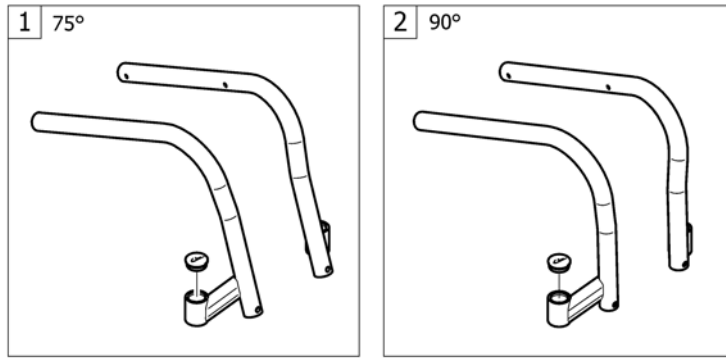


| Pos. | Part number | Description | Valid from → until | Qty |
|-------|-------------|---|----------------------------|-----|
| -0453 | - | Color code for attract blue frames | | 0 |
| -0454 | - | Color code for attract black frames | | 0 |
| -0455 | - | Color code for attract grey frames | | 0 |
| -0456 | - | Color code for attract red frames | | 0 |
| -0184 | - | Color code for mercury blue frames | 2014-11-20 → 2015-12-31 | 0 |
| | | <i>Additional lead time, please contact Küschall customer service</i> | | |
| -0185 | - | Color code for dynamite orange frames | 2014-11-20 → 2015-12-31 | 0 |
| | | <i>Additional lead time, please contact Küschall customer service</i> | | |
| -0186 | - | Color code for atomic violet frames | 2014-11-20 → 2015-12-31 | 0 |
| | | <i>Additional lead time, please contact Küschall customer service</i> | | |
| -0187 | - | Color code for nitro pink frames | 2014-11-20 → 2015-12-31 | 0 |
| | | <i>Additional lead time, please contact Küschall customer service</i> | | |
| -0411 | - | Color code for black matt frames | 2014-11-20 → 2015-12-31 | 0 |
| | | <i>Additional lead time, please contact Küschall customer service</i> | | |
| -0419 | - | Color code for silver grey frames | 2014-11-20 → 2015-12-31 | 0 |
| | | <i>Additional lead time, please contact Küschall customer service</i> | | |
| -0442 | - | Color code for night shimmer frames | 2014-11-20 → 2015-12-31 | 0 |
| | | <i>Additional lead time, please contact Küschall customer service</i> | | |
| -0445 | - | Color code for ivory white frames | 2014-11-20 → 2015-12-31 | 0 |
| | | <i>Additional lead time, please contact Küschall customer service</i> | | |
| -0450 | - | Color code for smokey grey frames | 2014-11-20 → 2015-12-31 | 0 |
| | | <i>Additional lead time, please contact Küschall customer service</i> | | |
| -0451 | - | Color code for flashy yellow frames | 2014-11-20 → 2015-12-31 | 0 |
| | | <i>Additional lead time, please contact Küschall customer service</i> | | |
| -3524 | - | Color code for royal red frames | 2014-11-20 → 2015-12-31 | 0 |
| | | <i>Additional lead time, please contact Küschall customer service</i> | | |

Frame colours

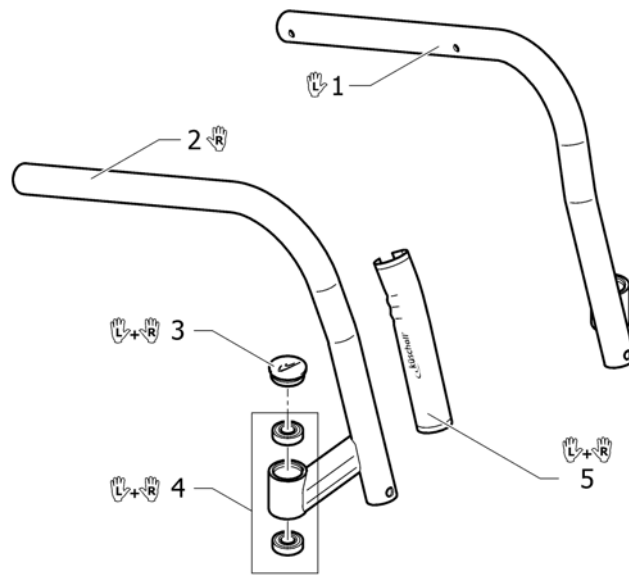
| Pos. | Part number | Description | Valid from → until | Qty |
|-------|-------------|---|----------------------------|-----|
| -5969 | - | Color code for royal blue frames <i>Additional lead time, please contact Küschall customer service</i> | 2014-11-20 → 2015-12-31 | 0 |
| -9005 | - | Color code for glossy black frames <i>Additional lead time, please contact Küschall customer service</i> | 2014-11-20 → 2015-12-31 | 0 |

CHASSIS



| Pos. | Part number | Description | Valid from → until | Qty |
|------|-------------|-------------------------------|--------------------|-----|
| 1 | - | Frame Aluminium 75° adducted | | 1 |
| 2 | - | Frame Aluminium 90° adducted | | 1 |
| 3 | - | Axle tube Aluminium | | 1 |
| 4 | - | Axle holder | | 1 |
| 5 | - | Rear wheel extension standard | 2015-07-01 → | 1 |

Frame Aluminium 75° adducted

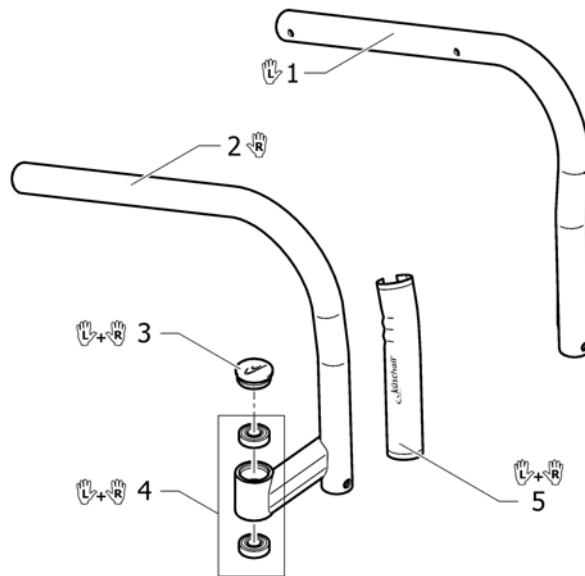


| Pos. | Part number | Description | Valid from → until | Qty |
|------|--------------|---|-------------------------|-----|
| 1 | 1583471-0184 | Front frame 75°, adducted, left, mercury blue | 2014-11-20 → 2015-12-31 | 1 |
| 1 | 1583471-0185 | Front frame 75°, adducted, left, dynamite orange | 2014-11-20 → 2015-12-31 | 1 |
| 1 | 1583471-0186 | Front frame 75°, adducted, left, atomic violet | 2014-11-20 → 2015-12-31 | 1 |
| 1 | 1583471-0187 | Front frame 75°, adducted, left, nitro pink | 2014-11-20 → 2015-12-31 | 1 |
| 1 | 1583471-0411 | Front frame 75°, adducted, left, black matt | 2014-11-20 → 2015-12-31 | 1 |
| 1 | 1583471-0419 | Front frame 75°, adducted, left, silver grey | 2014-11-20 → 2015-12-31 | 1 |
| 1 | 1583471-0442 | Front frame 75°, adducted, left, night shimmer | 2014-11-20 → 2015-12-31 | 1 |
| 1 | 1583471-0445 | Front frame 75°, adducted, left, ivory white | 2014-11-20 → 2015-12-31 | 1 |
| 1 | 1583471-0450 | Front frame 75°, adducted, left, smokey grey | 2014-11-20 → 2015-12-31 | 1 |
| 1 | 1583471-0451 | Front frame 75°, adducted, left, flashy yellow | 2014-11-20 → 2015-12-31 | 1 |
| 1 | 1583471-0453 | Front frame 75°, adducted, left, attract blue | | 1 |
| 1 | 1583471-0454 | Front frame 75°, adducted, left, attract black | | 1 |
| 1 | 1583471-0455 | Front frame 75°, adducted, left, attract grey | | 1 |
| 1 | 1583471-0456 | Front frame 75°, adducted, left, attract red | | 1 |
| 1 | 1583471-3524 | Front frame 75°, adducted, left, royal red | 2014-11-20 → 2015-12-31 | 1 |
| 1 | 1583471-5969 | Front frame 75°, adducted, left, royal blue | 2014-11-20 → 2015-12-31 | 1 |
| 1 | 1583471-9005 | Front frame 75°, adducted, left, glossy black | 2014-11-20 → 2015-12-31 | 1 |
| 2 | 1583472-0184 | Front frame 75°, adducted, right, mercury blue | 2014-11-20 → 2015-12-31 | 1 |
| 2 | 1583472-0185 | Front frame 75°, adducted, right, dynamite orange | 2014-11-20 → 2015-12-31 | 1 |

Frame Aluminium 75° adducted

| Pos. | Part number | Description | Valid from → until | Qty |
|------|--------------|---|----------------------------|-----|
| 2 | 1583472-0186 | Front frame 75°, adducted, right, atomic violet | 2014-11-20 → 2015-12-31 | 1 |
| 2 | 1583472-0187 | Front frame 75°, adducted, right, nitro pink | 2014-11-20 → 2015-12-31 | 1 |
| 2 | 1583472-0411 | Front frame 75°, adducted, right, black matt | 2014-11-20 → 2015-12-31 | 1 |
| 2 | 1583472-0419 | Front frame 75°, adducted, right, silver grey | 2014-11-20 → 2015-12-31 | 1 |
| 2 | 1583472-0442 | Front frame 75°, adducted, right, night shimmer | 2014-11-20 → 2015-12-31 | 1 |
| 2 | 1583472-0445 | Front frame 75°, adducted, right, ivory white | 2014-11-20 → 2015-12-31 | 1 |
| 2 | 1583472-0450 | Front frame 75°, adducted, right, smokey grey | 2014-11-20 → 2015-12-31 | 1 |
| 2 | 1583472-0451 | Front frame 75°, adducted, right, flashy yellow | 2014-11-20 → 2015-12-31 | 1 |
| 2 | 1583472-0453 | Front frame 75°, adducted, right, attract blue | | 1 |
| 2 | 1583472-0454 | Front frame 75°, adducted, right, attract black | | 1 |
| 2 | 1583472-0455 | Front frame 75°, adducted, right, attract grey | | 1 |
| 2 | 1583472-0456 | Front frame 75°, adducted, right, attract red | | 1 |
| 2 | 1583472-3524 | Front frame 75°, adducted, right, royal red | 2014-11-20 → 2015-12-31 | 1 |
| 2 | 1583472-5969 | Front frame 75°, adducted, right, royal blue | 2014-11-20 → 2015-12-31 | 1 |
| 2 | 1583472-9005 | Front frame 75°, adducted, right, glossy black | 2014-11-20 → 2015-12-31 | 1 |
| 3 | 1487961-0004 | Bearing block cap pair, black anodized | | 1 |
| 4 | 1451718 | Bearing kit | | 1 |
| 5 | 1529372 | Front frame protectors, pair | | 1 |

Frame Aluminium 90° adducted

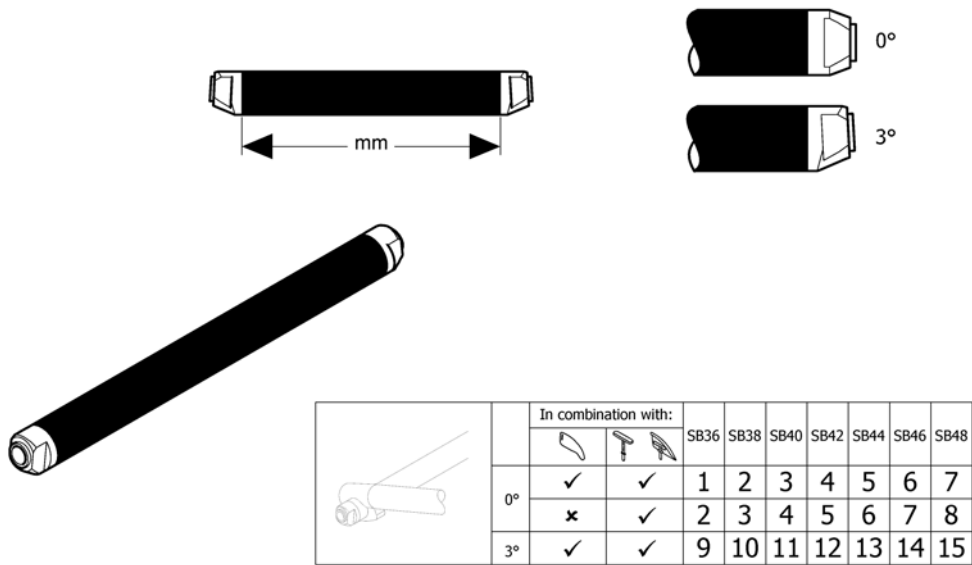


| Pos. | Part number | Description | Valid from → until | Qty |
|------|--------------|---|-------------------------|-----|
| 1 | 1583473-0184 | Front frame 90°, adducted, left, mercury blue | 2014-11-20 → 2015-12-31 | 1 |
| 1 | 1583473-0185 | Front frame 90°, adducted, left, dynamite orange | 2014-11-20 → 2015-12-31 | 1 |
| 1 | 1583473-0186 | Front frame 90°, adducted, left, atomic violet | 2014-11-20 → 2015-12-31 | 1 |
| 1 | 1583473-0187 | Front frame 90°, adducted, left, nitro pink | 2014-11-20 → 2015-12-31 | 1 |
| 1 | 1583473-0411 | Front frame 90°, adducted, left, black matt | 2014-11-20 → 2015-12-31 | 1 |
| 1 | 1583473-0419 | Front frame 90°, adducted, left, silver grey | 2014-11-20 → 2015-12-31 | 1 |
| 1 | 1583473-0442 | Front frame 90°, adducted, left, night shimmer | 2014-11-20 → 2015-12-31 | 1 |
| 1 | 1583473-0445 | Front frame 90°, adducted, left, ivory white | 2014-11-20 → 2015-12-31 | 1 |
| 1 | 1583473-0450 | Front frame 90°, adducted, left, smokey grey | 2014-11-20 → 2015-12-31 | 1 |
| 1 | 1583473-0451 | Front frame 90°, adducted, left, flashy yellow | 2014-11-20 → 2015-12-31 | 1 |
| 1 | 1583473-0453 | Front frame 90°, adducted, left, attract blue | | 1 |
| 1 | 1583473-0454 | Front frame 90°, adducted, left, attract black | | 1 |
| 1 | 1583473-0455 | Front frame 90°, adducted, left, attract grey | | 1 |
| 1 | 1583473-0456 | Front frame 90°, adducted, left, attract red | | 1 |
| 1 | 1583473-3524 | Front frame 90°, adducted, left, royal red | 2014-11-20 → 2015-12-31 | 1 |
| 1 | 1583473-5969 | Front frame 90°, adducted, left, royal blue | 2014-11-20 → 2015-12-31 | 1 |
| 1 | 1583473-9005 | Front frame 90°, adducted, left, glossy black | 2014-11-20 → 2015-12-31 | 1 |
| 2 | 1583474-0184 | Front frame 90°, adducted, right, mercury blue | 2014-11-20 → 2015-12-31 | 1 |
| 2 | 1583474-0185 | Front frame 90°, adducted, right, dynamite orange | 2014-11-20 → 2015-12-31 | 1 |

Frame Aluminium 90° adducted

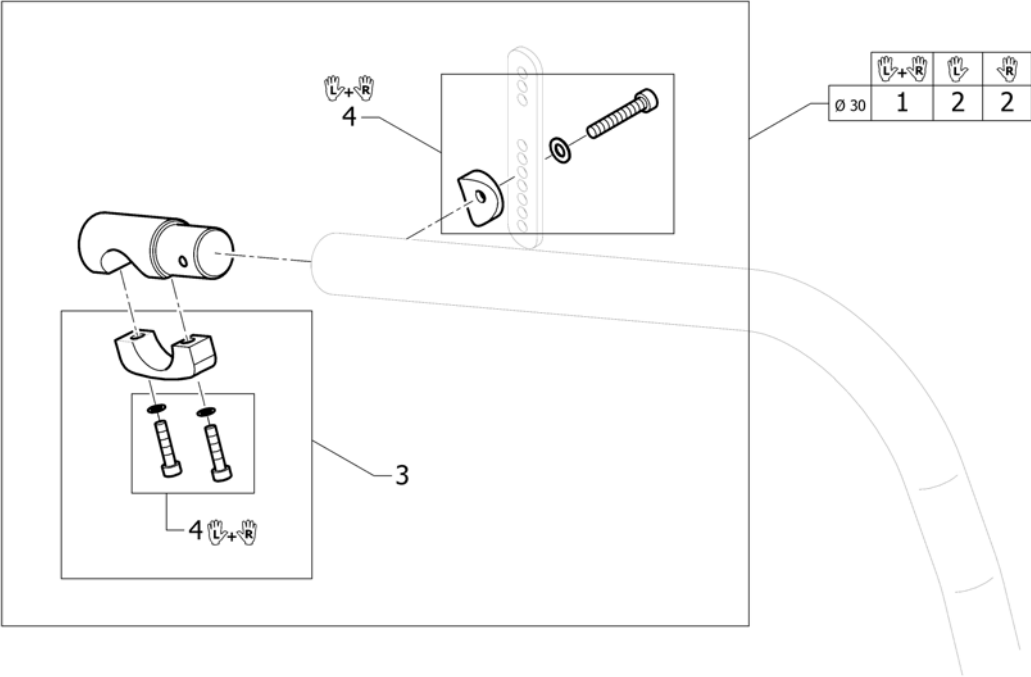
| Pos. | Part number | Description | Valid from → until | Qty |
|------|--------------|---|----------------------------|-----|
| 2 | 1583474-0186 | Front frame 90°, adducted, right, atomic violet | 2014-11-20 → 2015-12-31 | 1 |
| 2 | 1583474-0187 | Front frame 90°, adducted, right, nitro pink | 2014-11-20 → 2015-12-31 | 1 |
| 2 | 1583474-0411 | Front frame 90°, adducted, right, black matt | 2014-11-20 → 2015-12-31 | 1 |
| 2 | 1583474-0419 | Front frame 90°, adducted, right, silver grey | 2014-11-20 → 2015-12-31 | 1 |
| 2 | 1583474-0442 | Front frame 90°, adducted, right, night shimmer | 2014-11-20 → 2015-12-31 | 1 |
| 2 | 1583474-0445 | Front frame 90°, adducted, right, ivory white | 2014-11-20 → 2015-12-31 | 1 |
| 2 | 1583474-0450 | Front frame 90°, adducted, right, smokey grey | 2014-11-20 → 2015-12-31 | 1 |
| 2 | 1583474-0451 | Front frame 90°, adducted, right, flashy yellow | 2014-11-20 → 2015-12-31 | 1 |
| 2 | 1583474-0453 | Front frame 90°, adducted, right, attract blue | | 1 |
| 2 | 1583474-0454 | Front frame 90°, adducted, right, attract black | | 1 |
| 2 | 1583474-0455 | Front frame 90°, adducted, right, attract grey | | 1 |
| 2 | 1583474-0456 | Front frame 90°, adducted, right, attract red | | 1 |
| 2 | 1583474-3524 | Front frame 90°, adducted, right, royal red | 2014-11-20 → 2015-12-31 | 1 |
| 2 | 1583474-5969 | Front frame 90°, adducted, right, royal blue | 2014-11-20 → 2015-12-31 | 1 |
| 2 | 1583474-9005 | Front frame 90°, adducted, right, glossy black | 2014-11-20 → 2015-12-31 | 1 |
| 3 | 1487961-0004 | Bearing block cap pair, black anodized | | 1 |
| 4 | 1451718 | Bearing kit | | 1 |
| 5 | 1529372 | Front frame protectors, pair | | 1 |

Axle tube Aluminium



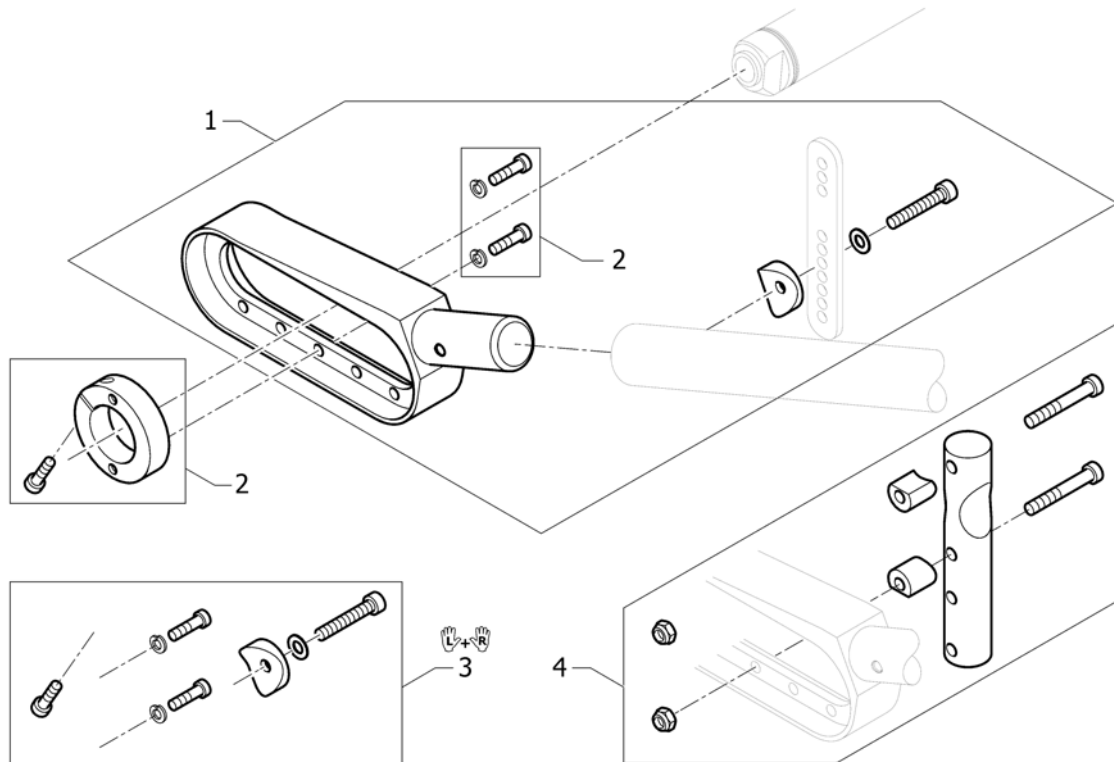
| Pos. | Part number | Description | Valid from → until | Qty |
|------|-------------|--|--------------------|-----|
| 1 | 1583478 | Axle tube Aluminium 0° complete, 338mm | | 1 |
| 2 | 1583479 | Axle tube Aluminium 0° complete, 358mm | | 1 |
| 3 | 1583480 | Axle tube Aluminium 0° complete, 378mm | | 1 |
| 4 | 1583481 | Axle tube Aluminium 0° complete, 398mm | | 1 |
| 5 | 1583482 | Axle tube Aluminium 0° complete, 418mm | | 1 |
| 6 | 1583483 | Axle tube Aluminium 0° complete, 438mm | | 1 |
| 7 | 1583484 | Axle tube Aluminium 0° complete, 458mm | | 1 |
| 8 | 1583637 | Axle tube Aluminium 0° complete, 478mm | | 1 |
| 9 | 1583486 | Axle tube Aluminium 3° complete, 364mm | | 1 |
| 10 | 1583487 | Axle tube Aluminium 3° complete, 384mm | | 1 |
| 11 | 1583488 | Axle tube Aluminium 3° complete, 404mm | | 1 |
| 12 | 1583489 | Axle tube Aluminium 3° complete, 424mm | | 1 |
| 13 | 1583490 | Axle tube Aluminium 3° complete, 444mm | | 1 |
| 14 | 1583491 | Axle tube Aluminium 3° complete, 464mm | | 1 |
| 15 | 1583492 | Axle tube Aluminium 3° complete, 484mm | | 1 |

Axle holder

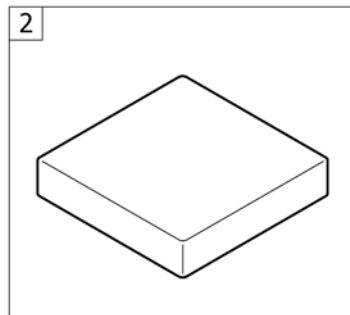
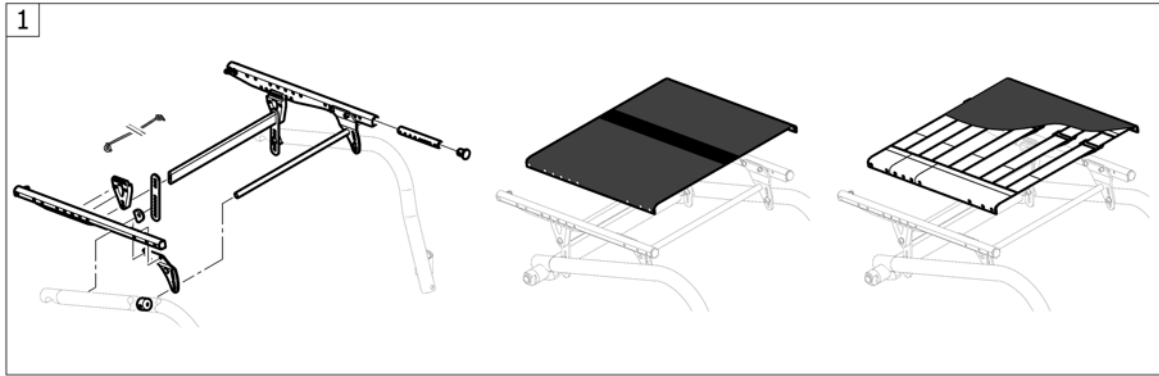


| Pos. | Part number | Description | Valid from → until | Qty |
|------|-------------|-----------------------------------|--------------------|-----|
| 1 | 1583953 | Axle holder complete Ø30, pair | | 1 |
| 2 | 1583954 | Axle holder complete Ø30 | | 2 |
| 3 | 1583955 | Axle holder latch Ø30 | | 2 |
| 4 | 1583956 | Assembly kit for pair axle holder | | 1 |

Rear wheel extension standard

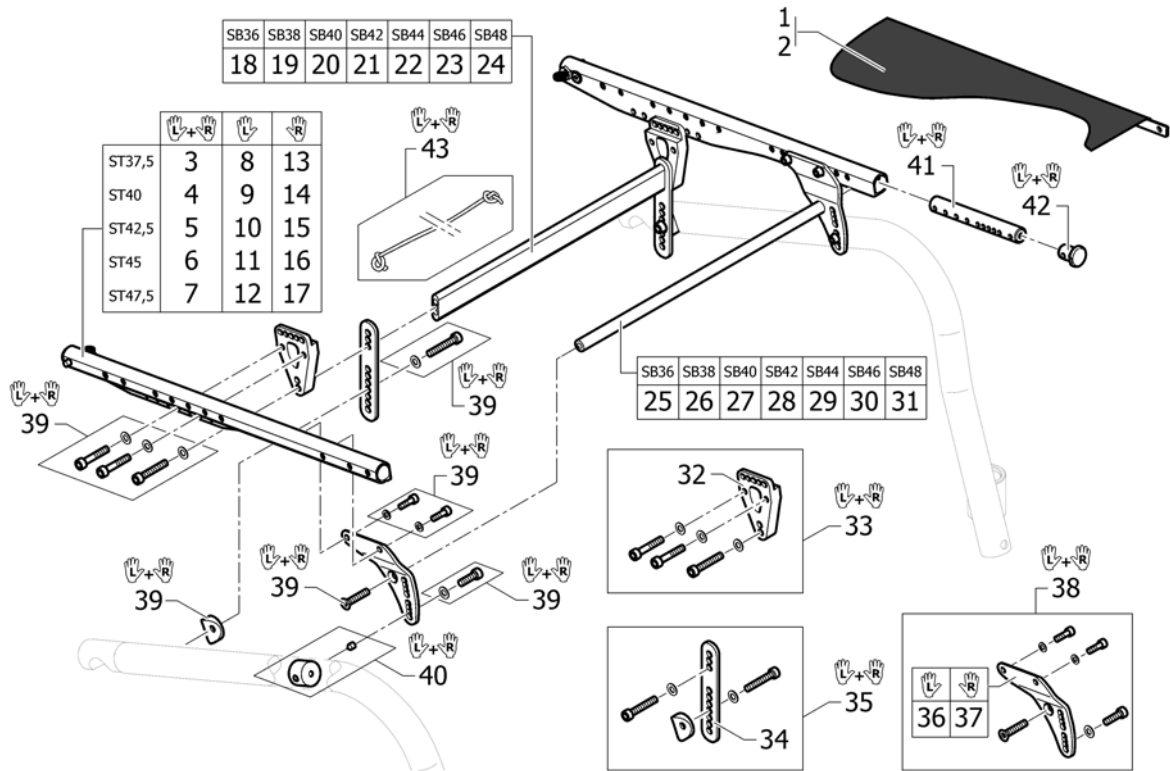


| Pos. | Part number | Description | Valid from → until | Qty |
|------|-------------|--|--------------------|-----|
| 1 | 1589112 | Rear wheel extension standard, black, complete | | 2 |
| 2 | 1545857 | Clamping ring Ø50/30 incl. screw kit | | 2 |
| 3 | 1545860 | Assembly kit for pair rear wheel extension | | 1 |
| 4 | 1545861 | Adaptation holder, kit for rear wheel extension standard | | 2 |



| Pos. | Part number | Description | Valid from → until | Qty |
|------|-------------|-----------------------|--------------------|-----|
| 1 | - | Seat module | | 1 |
| 2 | - | Seat cushion standard | | 1 |

Seat module

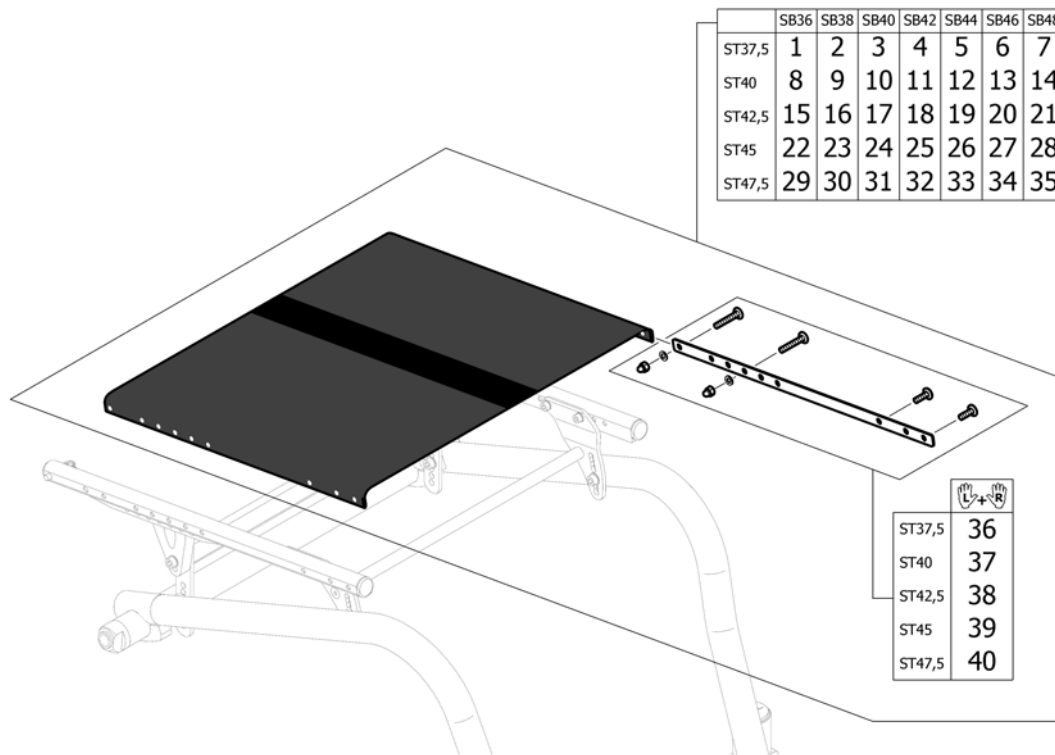


| Pos. | Part number | Description | Valid from → until | Qty |
|------|-------------|-----------------------------------|--------------------|-----|
| 1 | - | Seatcover standard | | 1 |
| 2 | - | Seatcover adjustable | | 1 |
| 3 | 1583961 | Seat frame rail ST37,5, pair | | 1 |
| 4 | 1583962 | Seat frame rail ST40, pair | | 1 |
| 5 | 1583963 | Seat frame rail ST42,5, pair | | 1 |
| 6 | 1583964 | Seat frame rail ST45, pair | | 1 |
| 7 | 1583965 | Seat frame rail ST47,5, pair | | 1 |
| 8 | 1583966 | Seat frame rail ST37,5 left | | 1 |
| 9 | 1583967 | Seat frame rail ST40 left | | 1 |
| 10 | 1583968 | Seat frame rail ST42,5 left | | 1 |
| 11 | 1583969 | Seat frame rail ST45 left | | 1 |
| 12 | 1583970 | Seat frame rail ST47,5 left | | 1 |
| 13 | 1583971 | Seat frame rail ST37,5 right | | 1 |
| 14 | 1583972 | Seat frame rail ST40 right | | 1 |
| 15 | 1583973 | Seat frame rail ST42,5 right | | 1 |
| 16 | 1583974 | Seat frame rail ST45 right | | 1 |
| 17 | 1583975 | Seat frame rail ST47,5 right | | 1 |
| 18 | 1583976 | Seat brace horizontal rear, 282mm | | 1 |
| 19 | 1583977 | Seat brace horizontal rear, 302mm | | 1 |
| 20 | 1583978 | Seat brace horizontal rear, 322mm | | 1 |
| 21 | 1583979 | Seat brace horizontal rear, 342mm | | 1 |
| 22 | 1583980 | Seat brace horizontal rear, 362mm | | 1 |
| 23 | 1583981 | Seat brace horizontal rear, 382mm | | 1 |
| 24 | 1583982 | Seat brace horizontal rear, 402mm | | 1 |
| 25 | 1583983 | Seat brace horizontal, 289mm | | 1 |
| 26 | 1583984 | Seat brace horizontal, 309mm | | 1 |
| 27 | 1583985 | Seat brace horizontal, 329mm | | 1 |
| 28 | 1583986 | Seat brace horizontal, 349mm | | 1 |
| 29 | 1583987 | Seat brace horizontal, 369mm | | 1 |
| 30 | 1583988 | Seat brace horizontal, 389mm | | 1 |
| 31 | 1583989 | Seat brace horizontal, 409mm | | 1 |

Seat module

| Pos. | Part number | Description | Valid from → until | Qty |
|-------------|--------------------|--|---------------------------|------------|
| 32 | 1583990 | Hinge bracket Seat Frame, rear | | 2 |
| 33 | 1583991 | Hinge bracket-Set Seat Frame, rear, pair | | 1 |
| 34 | 1583992 | Seat brace vertical | | 2 |
| 35 | 1583993 | Seat brace-Set vertical, pair | | 1 |
| 36 | 1583995 | Hinge bracket Front Seat, left | | 1 |
| 37 | 1583994 | Hinge bracket Front Seat, right | | 1 |
| 38 | 1583996 | Hinge bracket-Set Front Seat Frame, pair | | 1 |
| 39 | 1583997 | Fixation kit to hinge brackets | | 1 |
| 40 | 1583998 | Threadet sleeve, pair | | 1 |
| 41 | 1583999 | Thread insert Front Seat Frame, pair | | 1 |
| 42 | 1486539-0004 | Seatmodule plug, pair, black anodized | | 1 |
| 43 | 1554427 | Cord for backrest foldable | | 1 |

Seatcover standard

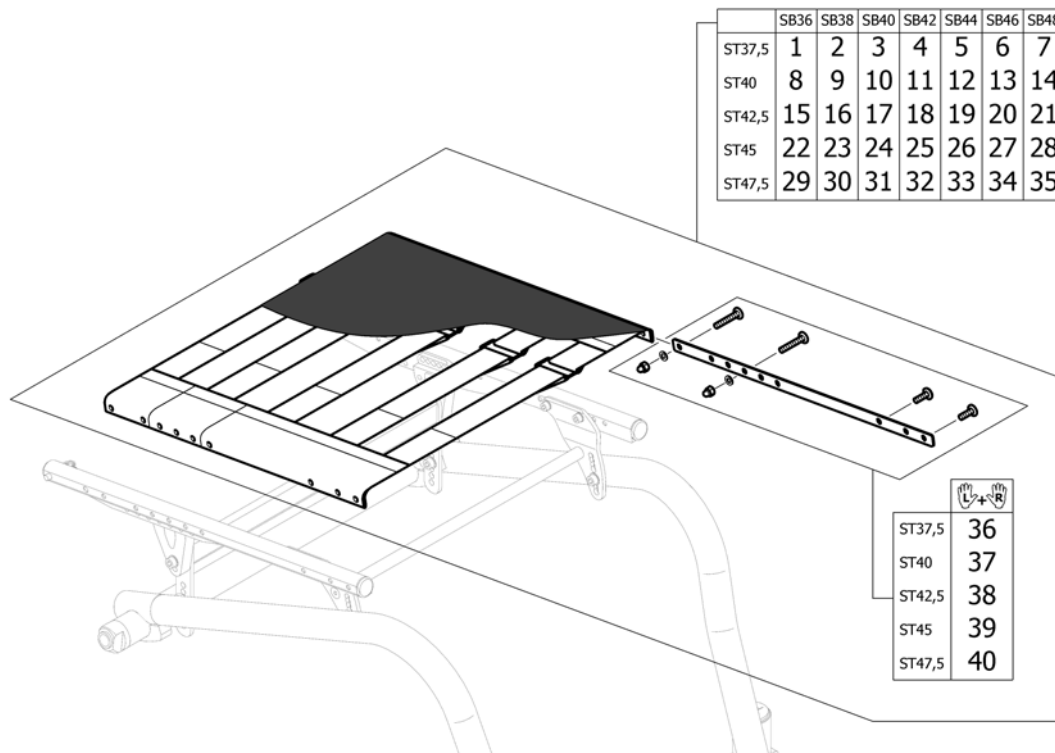


| Pos. | Part number | Description | Valid from → until | Qty |
|------|-------------|--|--------------------|-----|
| 1 | 1584002 | Seatcover standard complete SB36 ST37,5 | | 1 |
| 2 | 1584003 | Seatcover standard complete SB38 ST37,5 | | 1 |
| 3 | 1584004 | Seatcover standard complete SB40 ST37,5 | | 1 |
| 4 | 1584005 | Seatcover standard complete SB42 ST37,5 | | 1 |
| 5 | 1584006 | Seatcover standard complete SB44 ST37,5 | | 1 |
| 6 | 1584007 | Seatcover standard complete SB46 ST37,5 | | 1 |
| 7 | 1584008 | Seatcover standard complete SB48 ST37,5 | | 1 |
| 8 | 1584009 | Seatcover standard complete SB36 ST40 | | 1 |
| 9 | 1584010 | Seatcover standard complete SB38 ST40 | | 1 |
| 10 | 1584011 | Seatcover standard complete SB40 ST40 | | 1 |
| 11 | 1584012 | Seatcover standard complete SB42 ST40 | | 1 |
| 12 | 1584013 | Seatcover standard complete SB44 ST40 | | 1 |
| 13 | 1584059 | Seatcover standard complete SB46 ST40 | | 1 |
| 14 | 1584060 | Seatcover standard complete SB48 ST40 | | 1 |
| 15 | 1584061 | Seatcover standard complete SB36 ST42,5 | | 1 |
| 16 | 1584062 | Seatcover standard complete SB38 ST42,5 | | 1 |
| 17 | 1584063 | Seatcover standard complete SB40 ST42,5 | | 1 |
| 18 | 1584064 | Seatcover standard complete SB42 ST42,5 | | 1 |
| 19 | 1584065 | Seatcover standard complete SB44 ST42,5 | | 1 |
| 20 | 1584066 | Seatcover standard complete SB46 ST42,5 | | 1 |
| 21 | 1584067 | Seatcover standard complete SB48 ST42,5 | | 1 |
| 22 | 1584068 | Seatcover standard complete SB36 ST45/+5 | | 1 |
| 23 | 1584069 | Seatcover standard complete SB38 ST45/+5 | | 1 |
| 24 | 1584070 | Seatcover standard complete SB40 ST45/+5 | | 1 |
| 25 | 1584071 | Seatcover standard complete SB42 ST45/+5 | | 1 |
| 26 | 1584072 | Seatcover standard complete SB44 ST45/+5 | | 1 |
| 27 | 1584073 | Seatcover standard complete SB46 ST45/+5 | | 1 |
| 28 | 1584074 | Seatcover standard complete SB48 ST45/+5 | | 1 |
| 29 | 1584075 | Seatcover standard complete SB36 ST47,5 | | 1 |
| 30 | 1584076 | Seatcover standard complete SB38 ST47,5 | | 1 |
| 31 | 1584077 | Seatcover standard complete SB40 ST47,5 | | 1 |

Seatcover standard

| Pos. | Part number | Description | Valid from → until | Qty |
|-------------|--------------------|---|---------------------------|------------|
| 32 | 1584078 | Seatcover standard complete SB42 ST47,5 | | 1 |
| 33 | 1584079 | Seatcover standard complete SB44 ST47,5 | | 1 |
| 34 | 1584080 | Seatcover standard complete SB46 ST47,5 | | 1 |
| 35 | 1584196 | Seatcover standard complete SB48 ST47,5 | | 1 |
| 36 | 1584676 | Seat rail kit ST37,5, pair | | 1 |
| 37 | 1584677 | Seat rail kit ST40, pair | | 1 |
| 38 | 1584748 | Seat rail kit ST42,5, pair | | 1 |
| 39 | 1584749 | Seat rail kit ST45, pair | | 1 |
| 40 | 1584750 | Seat rail kit ST47,5, pair | | 1 |

Seatcover adjustable

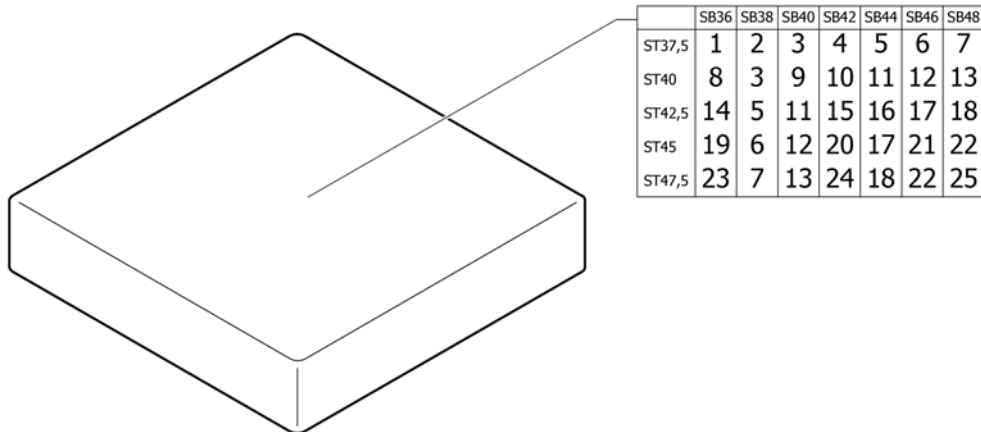


| Pos. | Part number | Description | Valid from → until | Qty |
|------|-------------|--|--------------------|-----|
| 1 | 1584197 | Seatcover adjustable complete SB36 ST37,5 | | 1 |
| 2 | 1584241 | Seatcover adjustable complete SB38 ST37,5 | | 1 |
| 3 | 1584242 | Seatcover adjustable complete SB40 ST37,5 | | 1 |
| 4 | 1584243 | Seatcover adjustable complete SB42 ST37,5 | | 1 |
| 5 | 1584274 | Seatcover adjustable complete SB44 ST37,5 | | 1 |
| 6 | 1584275 | Seatcover adjustable complete SB46 ST37,5 | | 1 |
| 7 | 1584276 | Seatcover adjustable complete SB48 ST37,5 | | 1 |
| 8 | 1584332 | Seatcover adjustable complete SB36 ST40 | | 1 |
| 9 | 1584333 | Seatcover adjustable complete SB38 ST40 | | 1 |
| 10 | 1584334 | Seatcover adjustable complete SB40 ST40 | | 1 |
| 11 | 1584336 | Seatcover adjustable complete SB42 ST40 | | 1 |
| 12 | 1584337 | Seatcover adjustable complete SB44 ST40 | | 1 |
| 13 | 1584338 | Seatcover adjustable complete SB46 ST40 | | 1 |
| 14 | 1584339 | Seatcover adjustable complete SB48 ST40 | | 1 |
| 15 | 1584341 | Seatcover adjustable complete SB36 ST42,5 | | 1 |
| 16 | 1584342 | Seatcover adjustable complete SB38 ST42,5 | | 1 |
| 17 | 1584432 | Seatcover adjustable complete SB40 ST42,5 | | 1 |
| 18 | 1584481 | Seatcover adjustable complete SB42 ST42,5 | | 1 |
| 19 | 1584482 | Seatcover adjustable complete SB44 ST42,5 | | 1 |
| 20 | 1584483 | Seatcover adjustable complete SB46 ST42,5 | | 1 |
| 21 | 1584484 | Seatcover adjustable complete SB48 ST42,5 | | 1 |
| 22 | 1584485 | Seatcover adjustable complete SB36 ST45/+5 | | 1 |
| 23 | 1584486 | Seatcover adjustable complete SB38 ST45/+5 | | 1 |
| 24 | 1584487 | Seatcover adjustable complete SB40 ST45/+5 | | 1 |
| 25 | 1584488 | Seatcover adjustable complete SB42 ST45/+5 | | 1 |
| 26 | 1584489 | Seatcover adjustable complete SB44 ST45/+5 | | 1 |
| 27 | 1584490 | Seatcover adjustable complete SB46 ST45/+5 | | 1 |
| 28 | 1584592 | Seatcover adjustable complete SB48 ST45/+5 | | 1 |
| 29 | 1584593 | Seatcover adjustable complete SB36 ST47,5 | | 1 |
| 30 | 1584594 | Seatcover adjustable complete SB38 ST47,5 | | 1 |
| 31 | 1584595 | Seatcover adjustable complete SB40 ST47,5 | | 1 |

Seatcover adjustable

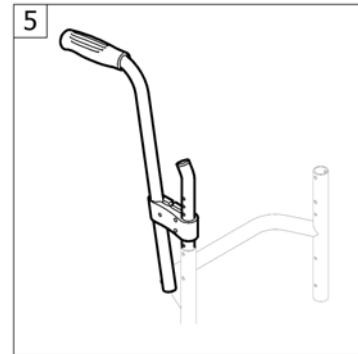
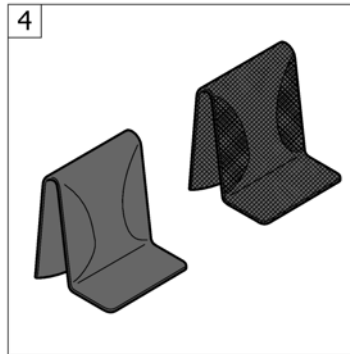
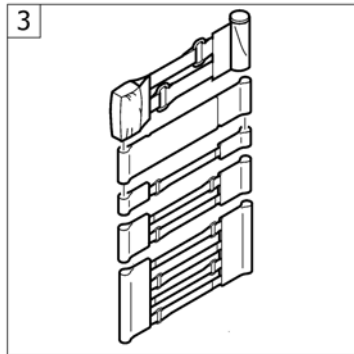
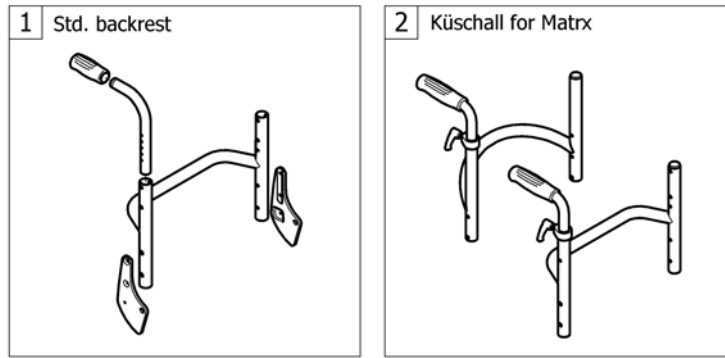
| Pos. | Part number | Description | Valid from → until | Qty |
|------|-------------|---|--------------------|-----|
| 32 | 1584672 | Seatcover adjustable complete SB42 ST47,5 | | 1 |
| 33 | 1584673 | Seatcover adjustable complete SB44 ST47,5 | | 1 |
| 34 | 1584674 | Seatcover adjustable complete SB46 ST47,5 | | 1 |
| 35 | 1584675 | Seatcover adjustable complete SB48 ST47,5 | | 1 |
| 36 | 1584676 | Seat rail kit ST37,5, pair | | 1 |
| 37 | 1584677 | Seat rail kit ST40, pair | | 1 |
| 38 | 1584748 | Seat rail kit ST42,5, pair | | 1 |
| 39 | 1584749 | Seat rail kit ST45, pair | | 1 |
| 40 | 1584750 | Seat rail kit ST47,5, pair | | 1 |

Seat cushion standard



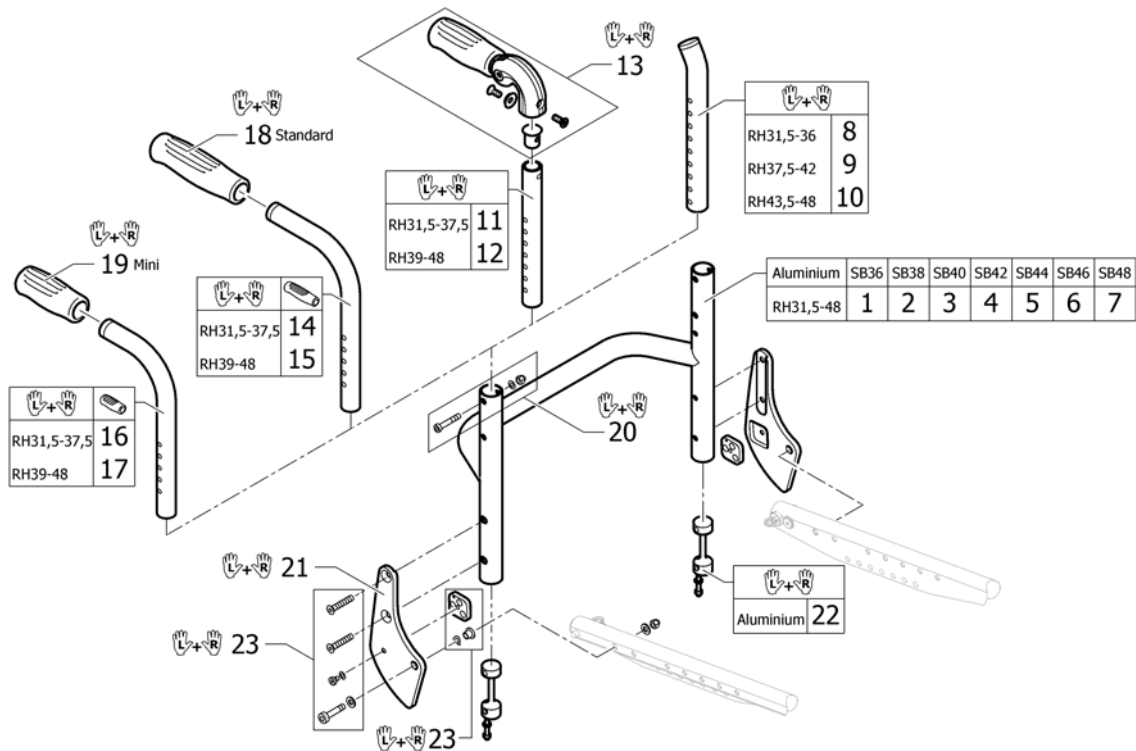
| Pos. | Part number | Description | Valid from → until | Qty |
|------|-------------|----------------------------|--------------------|-----|
| 1 | 1556336 | Seat cushion 360mm x 380mm | | 1 |
| 2 | 1556344 | Seat cushion 380mm x 380mm | | 1 |
| 3 | 1556345 | Seat cushion 380mm x 400mm | | 1 |
| 4 | 1556346 | Seat cushion 380mm x 420mm | | 1 |
| 5 | 1556347 | Seat cushion 380mm x 440mm | | 1 |
| 6 | 1556348 | Seat cushion 380mm x 460mm | | 1 |
| 7 | 1556349 | Seat cushion 380mm x 480mm | | 1 |
| 8 | 1556337 | Seat cushion 360mm x 400mm | | 1 |
| 9 | 1556352 | Seat cushion 400mm x 400mm | | 1 |
| 10 | 1556353 | Seat cushion 400mm x 420mm | | 1 |
| 11 | 1556354 | Seat cushion 400mm x 440mm | | 1 |
| 12 | 1556355 | Seat cushion 400mm x 460mm | | 1 |
| 13 | 1556356 | Seat cushion 400mm x 480mm | | 1 |
| 14 | 1556339 | Seat cushion 360mm x 440mm | | 1 |
| 15 | 1556360 | Seat cushion 420mm x 440mm | | 1 |
| 16 | 1556365 | Seat cushion 440mm x 440mm | | 1 |
| 17 | 1556366 | Seat cushion 440mm x 460mm | | 1 |
| 18 | 1556367 | Seat cushion 440mm x 480mm | | 1 |
| 19 | 1556340 | Seat cushion 360mm x 460mm | | 1 |
| 20 | 1556361 | Seat cushion 420mm x 460mm | | 1 |
| 21 | 1556370 | Seat cushion 460mm x 460mm | | 1 |
| 22 | 1556371 | Seat cushion 460mm x 480mm | | 1 |
| 23 | 1556341 | Seat cushion 360mm x 480mm | | 1 |
| 24 | 1556362 | Seat cushion 420mm x 480mm | | 1 |
| 25 | 1556374 | Seat cushion 480mm x 480mm | | 1 |

BACKREST



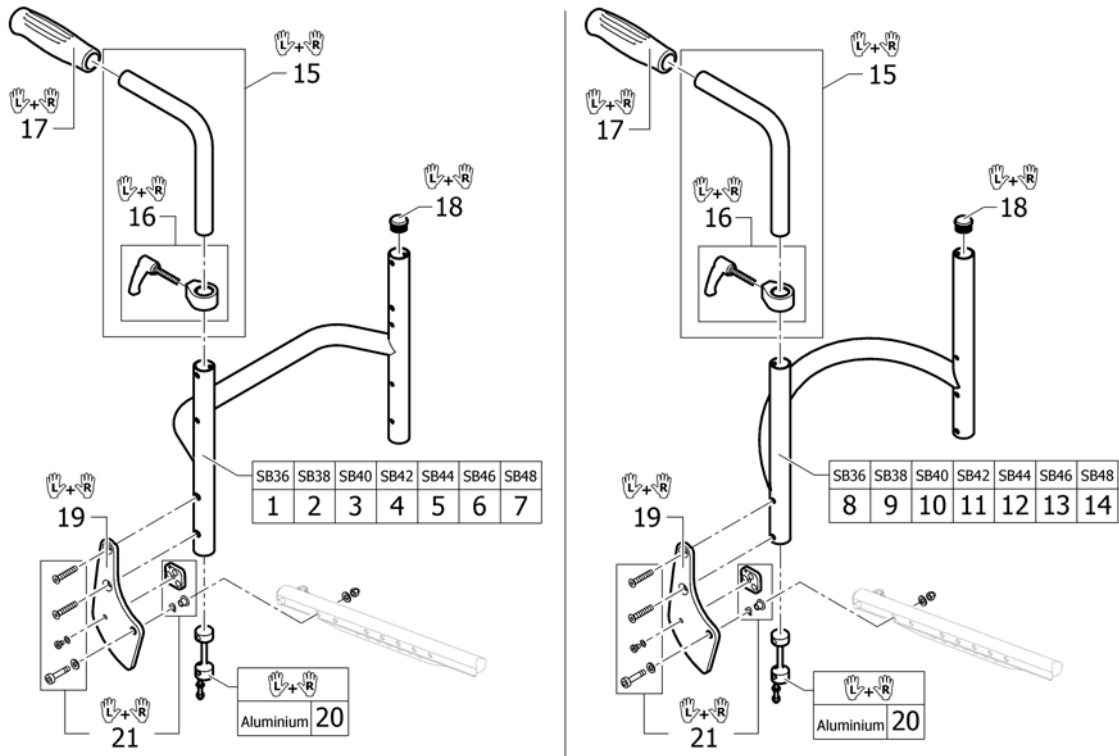
| Pos. | Part number | Description | Valid from → until | Qty |
|------|-------------|---|--------------------|-----|
| 1 | - | Straight bar backrest | | 1 |
| 2 | - | Küschall backrest parts for Matrix backs | 2016-01-01 → | 1 |
| 3 | - | Bands to adjustable backrest | | 1 |
| 4 | - | Cover to adjustable backrest | | 1 |
| 5 | - | Push handles, height adjustable, rear set | | 1 |

Straight bar backrest



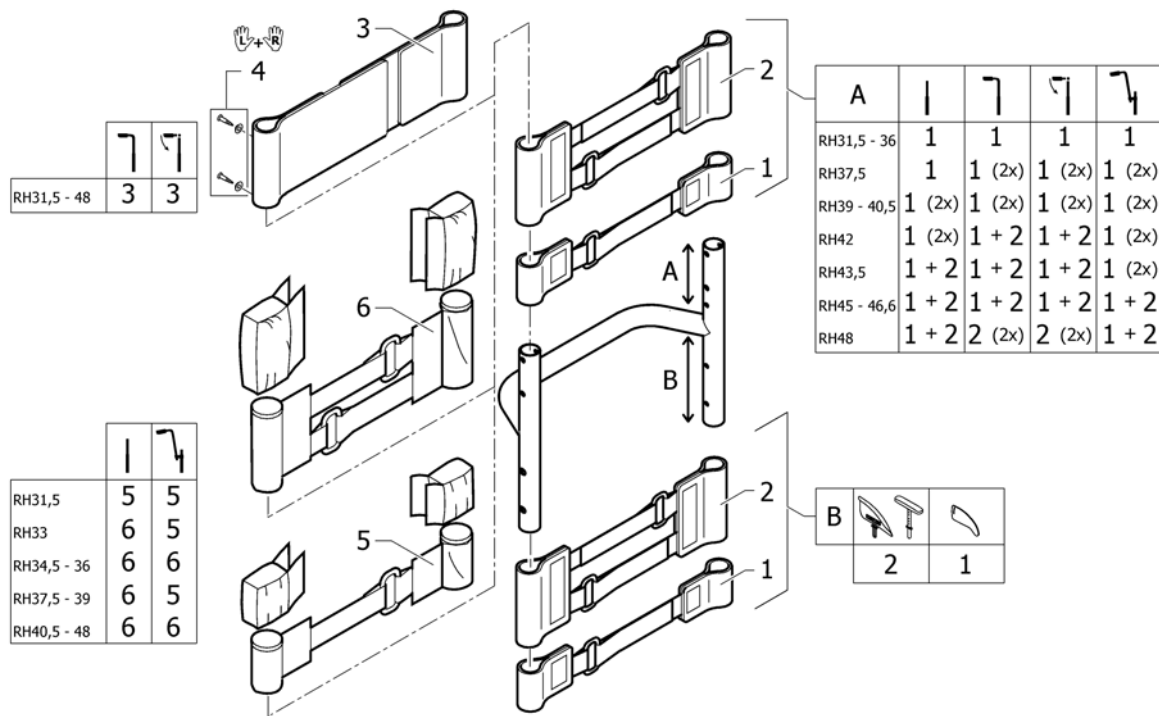
| Pos. | Part number | Description | Valid from → until | Qty |
|------|--------------|--|--------------------|-----|
| 1 | 1582699 | Straight bar backrest tube Alu SB36 Long | | 1 |
| 2 | 1582700 | Straight bar backrest tube Alu SB38 Long | | 1 |
| 3 | 1582701 | Straight bar backrest tube Alu SB40 Long | | 1 |
| 4 | 1582702 | Straight bar backrest tube Alu SB42 Long | | 1 |
| 5 | 1582703 | Straight bar backrest tube Alu SB44 Long | | 1 |
| 6 | 1582704 | Straight bar backrest tube Alu SB46 Long | | 1 |
| 7 | 1582732 | Straight bar backrest tube Alu SB48 Long | | 1 |
| 8 | 1546913 | Telescopic back tube standard short, pair | | 1 |
| 9 | 1546914 | Telescopic back tube standard medium, pair | | 1 |
| 10 | 1546946 | Telescopic back tube standard long, pair | | 1 |
| 11 | 1524956 | Telescopic tube short for pushhandle foldable, pair | | 1 |
| 12 | 1525121 | Telescopic tube medium for pushhandle foldable, pair | | 1 |
| 13 | 1507733 | Push handles foldable, pair | | 1 |
| 14 | 1525122 | Backrest tube standard, short, pair | | 1 |
| 15 | 1525123 | Backrest tube standard, long, pair | | 1 |
| 16 | 1525124 | Backrest tube mini, short, pair | | 1 |
| 17 | 1525125 | Backrest tube mini, long, pair | | 1 |
| 18 | 1507734 | Handle black, pair | | 1 |
| 19 | 1525126 | Handle black, mini, pair | | 1 |
| 20 | 1546947 | Screw kit for backrest tube | | 1 |
| 21 | 1583957-0004 | Backrest joint plate, pair, black anodized | | 1 |
| 22 | 1546948 | Sleeves for backrest tube alu, pair complete | | 1 |
| 23 | 1583958 | Fixation kit to backrest joint | | 1 |

Küschall backrest parts for Matrix backs

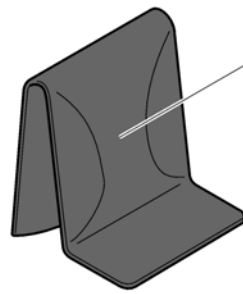


| Pos. | Part number | Description | Valid from → until | Qty |
|------|--------------|---|--------------------|-----|
| 1 | 1582699 | Straight bar backrest tube Alu SB36 Long | | 1 |
| 2 | 1582700 | Straight bar backrest tube Alu SB38 Long | | 1 |
| 3 | 1582701 | Straight bar backrest tube Alu SB40 Long | | 1 |
| 4 | 1582702 | Straight bar backrest tube Alu SB42 Long | | 1 |
| 5 | 1582703 | Straight bar backrest tube Alu SB44 Long | | 1 |
| 6 | 1582704 | Straight bar backrest tube Alu SB46 Long | | 1 |
| 7 | 1582732 | Straight bar backrest tube Alu SB48 Long | | 1 |
| 8 | 1561012 | Backrest SB36 for fixed backrest | | 1 |
| 9 | 1561013 | Backrest SB38 for fixed backrest | | 1 |
| 10 | 1561014 | Backrest SB40 for fixed backrest | | 1 |
| 11 | 1561015 | Backrest SB42 for fixed backrest | | 1 |
| 12 | 1561016 | Backrest SB44 for fixed backrest | | 1 |
| 13 | 1561017 | Backrest SB46 for fixed backrest | | 1 |
| 14 | 1564344 | Backrest SB48 for fixed backrest | | 1 |
| 15 | 1438203 | Height adjustable, integrated push handles standard, kit short UL/C04 | | 1 |
| 16 | 1549985 | Adjusting lever for height adjustable, integrated push handles, pair | | 1 |
| 17 | 1507734 | Handle black, pair | | 1 |
| 18 | 1561018 | Tube plug Ø24mm, pair | | 1 |
| 19 | 1583957-0004 | Backrest joint plate, pair, black anodized | | 1 |
| 20 | 1546948 | Sleeves for backrest tube alu, pair complete | | 1 |
| 21 | 1583958 | Fixation kit to backrest joint | | 1 |

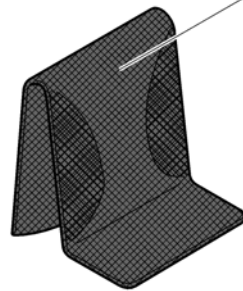
Bands to adjustable backrest



| Pos. | Part number | Description | Valid from → until | Qty |
|------|-------------|---|--------------------|-----|
| 1 | 1513167 | Velcro adjustment part with 1 strap, pair | | 1 |
| 2 | 1513168 | Velcro adjustment strap with 2 straps, pair | | 1 |
| 3 | 1513171 | Backrest band 2 parts, width: 10cm | | 1 |
| 4 | 1432083 | Fixation kit for backrest band | | 1 |
| 5 | 1513172 | Velcro end part, 5 cm | | 1 |
| 6 | 1513173 | Velcro end part, 10cm | | 1 |

Cover to adjustable backrest

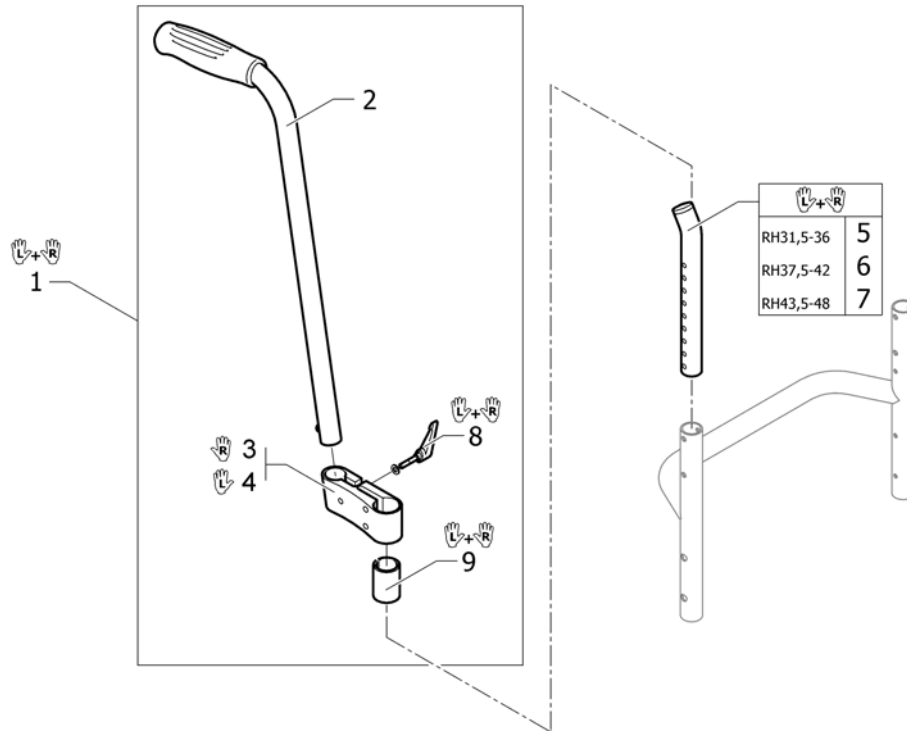
| Std. (black) | SB36-38 | SB40-42 | SB44-46 | SB48 |
|--------------|---------|---------|---------|------|
| RH31,5-36 | 1 | 2 | 3 | 4 |
| RH37,5-42 | 5 | 6 | 7 | 8 |
| RH43,5-48 | 9 | 10 | 11 | 12 |



| AeroBack | SB36-38 | SB40-42 | SB44-46 | SB48 |
|-----------|---------|---------|---------|------|
| RH31,5-36 | 13 | 14 | 15 | 16 |
| RH37,5-42 | 17 | 18 | 19 | 20 |
| RH43,5-48 | 21 | 22 | 23 | 24 |

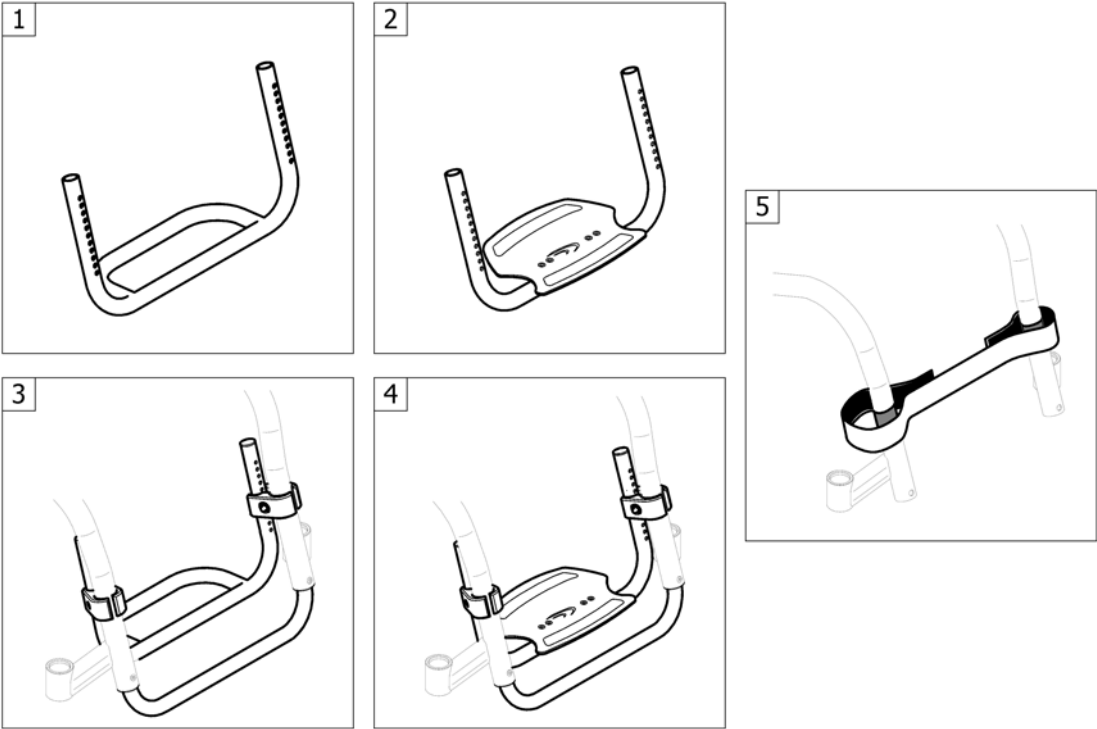
| Pos. | Part number | Description | Valid from → until | Qty |
|------|-------------|--|--------------------|-----|
| 1 | 1583109 | Cover black to adjustable backrest, SB36-38, short | | 1 |
| 2 | 1583110 | Cover black to adjustable backrest, SB40-42, short | | 1 |
| 3 | 1583111 | Cover black to adjustable backrest, SB44-46, short | | 1 |
| 4 | 1583112 | Cover black to adjustable backrest, SB48-50, short | | 1 |
| 5 | 1583113 | Cover black to adjustable backrest, SB36-38, medium | | 1 |
| 6 | 1583114 | Cover black to adjustable backrest, SB40-42, medium | | 1 |
| 7 | 1583115 | Cover black to adjustable backrest, SB44-46, medium | | 1 |
| 8 | 1583116 | Cover black to adjustable backrest, SB48-50, medium | | 1 |
| 9 | 1583117 | Cover black to adjustable backrest, SB36-38, long | | 1 |
| 10 | 1583118 | Cover black to adjustable backrest, SB40-42, long | | 1 |
| 11 | 1583119 | Cover black to adjustable backrest, SB44-46, long | | 1 |
| 12 | 1583120 | Cover black to adjustable backrest, SB48-50, long | | 1 |
| 13 | 1512157 | Cover 'Aero' to adjustable backrest, SB36-38, short | | 1 |
| 14 | 1512158 | Cover 'Aero' to adjustable backrest, SB40-42, short | | 1 |
| 15 | 1512159 | Cover 'Aero' to adjustable backrest, SB44-46, short | | 1 |
| 16 | 1512160 | Cover 'Aero' to adjustable backrest, SB48-50, short | | 1 |
| 17 | 1512162 | Cover 'Aero' to adjustable backrest, SB36-38, medium | | 1 |
| 18 | 1512163 | Cover 'Aero' to adjustable backrest, SB40-42, medium | | 1 |
| 19 | 1512164 | Cover 'Aero' to adjustable backrest, SB44-46, medium | | 1 |
| 20 | 1512165 | Cover 'Aero' to adjustable backrest, SB48-50, medium | | 1 |
| 21 | 1512167 | Cover 'Aero' to adjustable backrest, SB36-38, long | | 1 |
| 22 | 1512168 | Cover 'Aero' to adjustable backrest, SB40-42, long | | 1 |
| 23 | 1512169 | Cover 'Aero' to adjustable backrest, SB44-46, long | | 1 |
| 24 | 1512170 | Cover 'Aero' to adjustable backrest, SB48-50, long | | 1 |

Push handles, height adjustable, rear set



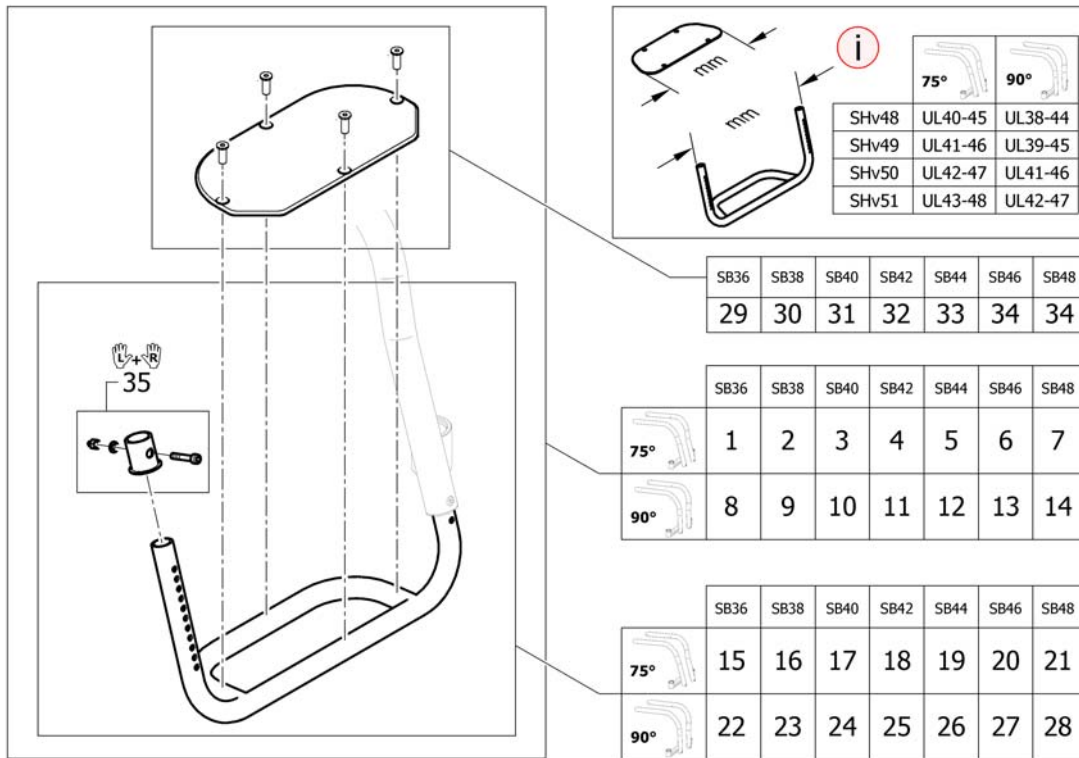
| Pos. | Part number | Description | Valid from → until | Qty |
|------|-------------|--|--------------------|-----|
| 1 | 1517876 | Push handles, height adjustable, rear set, pair | | 1 |
| 2 | 1438938 | Push handle tube complete, rearset | | 2 |
| 3 | 1438939 | Mounting fixture right complete, for rearset push handles | | 1 |
| 4 | 1438940 | Mounting fixture left complete, for rearset push handles | | 1 |
| 5 | 1546913 | Telescopic back tube standard short, pair | | 1 |
| 6 | 1546914 | Telescopic back tube standard medium, pair | | 1 |
| 7 | 1546946 | Telescopic back tube standard long, pair | | 1 |
| 8 | 1529799 | Adjusting lever, pair | | 1 |
| 9 | 1581293 | Sleeves for mounting fixture, for rearset push handles, pair | | 1 |

FOOTREST



| Pos. | Part number | Description | Valid from → until | Qty |
|------|-------------|--|--------------------|-----|
| 1 | - | Footrest standard for adducted frame | | 1 |
| 2 | - | Footrest angle adjustable for adducted frame | | 1 |
| 3 | - | Footrest standard highmounted for adducted frame | | 1 |
| 4 | - | Footrest angle adjustable highmounted for adducted frame | | 1 |
| 5 | - | Calf strap | | 1 |

Footrest standard for adducted frame

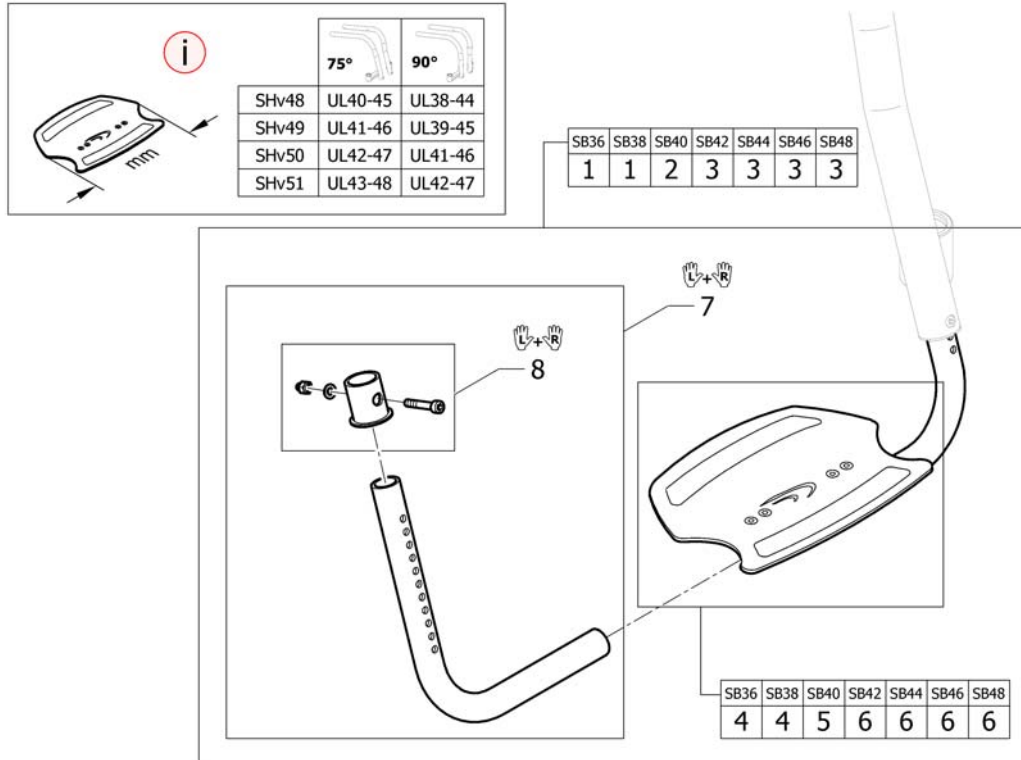


| Pos. | Part number | Description | Valid from → until | Qty |
|------|-------------|---|--------------------|-----|
| 1 | 1583520 | Footrest Aluminium 310mm with plate for frame 75° | | 1 |
| 2 | 1583521 | Footrest Aluminium 330mm with plate for frame 75° | | 1 |
| 3 | 1583522 | Footrest Aluminium 350mm with plate for frame 75° | | 1 |
| 4 | 1583523 | Footrest Aluminium 370mm with plate for frame 75° | | 1 |
| 5 | 1583524 | Footrest Aluminium 390mm with plate for frame 75° | | 1 |
| 6 | 1583525 | Footrest Aluminium 410mm with plate for frame 75° | | 1 |
| 7 | 1583526 | Footrest Aluminium 430mm with plate for frame 75° | | 1 |
| 8 | 1583527 | Footrest Aluminium 310mm with plate for frame 90° | | 1 |
| 9 | 1583528 | Footrest Aluminium 330mm with plate for frame 90° | | 1 |
| 10 | 1583529 | Footrest Aluminium 350mm with plate for frame 90° | | 1 |
| 11 | 1583530 | Footrest Aluminium 370mm with plate for frame 90° | | 1 |
| 12 | 1583531 | Footrest Aluminium 390mm with plate for frame 90° | | 1 |
| 13 | 1583532 | Footrest Aluminium 410mm with plate for frame 90° | | 1 |
| 14 | 1583533 | Footrest Aluminium 430mm with plate for frame 90° | | 1 |
| 15 | 1583506 | Footrest Aluminium 310mm for frame 75° | | 1 |
| 16 | 1583507 | Footrest Aluminium 330mm for frame 75° | | 1 |
| 17 | 1583508 | Footrest Aluminium 350mm for frame 75° | | 1 |
| 18 | 1583509 | Footrest Aluminium 370mm for frame 75° | | 1 |
| 19 | 1583510 | Footrest Aluminium 390mm for frame 75° | | 1 |
| 20 | 1583511 | Footrest Aluminium 410mm for frame 75° | | 1 |
| 21 | 1583512 | Footrest Aluminium 430mm for frame 75° | | 1 |
| 22 | 1583513 | Footrest Aluminium 310mm for frame 90° | | 1 |
| 23 | 1583514 | Footrest Aluminium 330mm for frame 90° | | 1 |
| 24 | 1583515 | Footrest Aluminium 350mm for frame 90° | | 1 |
| 25 | 1583516 | Footrest Aluminium 370mm for frame 90° | | 1 |
| 26 | 1583517 | Footrest Aluminium 390mm for frame 90° | | 1 |
| 27 | 1583518 | Footrest Aluminium 410mm for frame 90° | | 1 |
| 28 | 1583519 | Footrest Aluminium 430mm for frame 90° | | 1 |
| 29 | 1583596 | Footplate 194mm | | 1 |
| 30 | 1583597 | Footplate 214mm | | 1 |
| 31 | 1583598 | Footplate 234mm | | 1 |

Footrest standard for adducted frame

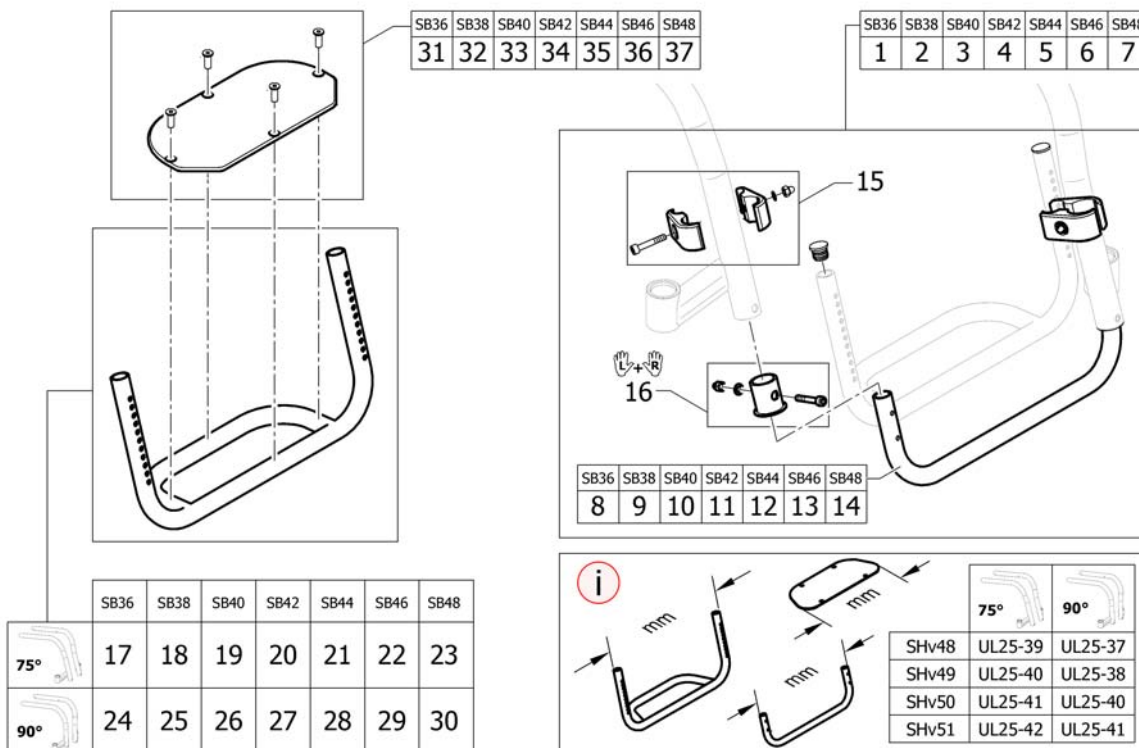
| Pos. | Part number | Description | Valid from → until | Qty |
|-------------|--------------------|---------------------|---------------------------|------------|
| 32 | 1583599 | Footplate 254mm | | 1 |
| 33 | 1583600 | Footplate 274mm | | 1 |
| 34 | 1583601 | Footplate 294mm | | 1 |
| 35 | 1583602 | Footrest sleeve Alu | | 1 |

Footrest angle adjustable for adducted frame



| Pos. | Part number | Description | Valid from → until | Qty |
|------|-------------|--|--------------------|-----|
| 1 | 1583608 | Footrest angle adjustable 250mm, complete | | 1 |
| 2 | 1583609 | Footrest angle adjustable 280mm, complete | | 1 |
| 3 | 1583610 | Footrest angle adjustable 308mm, complete | | 1 |
| 4 | 1583613 | Footplate 250mm with clamping part | | 1 |
| 5 | 1583614 | Footplate 280mm with clamping part | | 1 |
| 6 | 1583615 | Footplate 308mm with clamping part | | 1 |
| 7 | 1583616 | Telescopic kit for footrest angle adjustable, pair | | 1 |
| 8 | 1583602 | Footrest sleeve Alu | | 1 |

Footrest standard highmounted for adducted frame

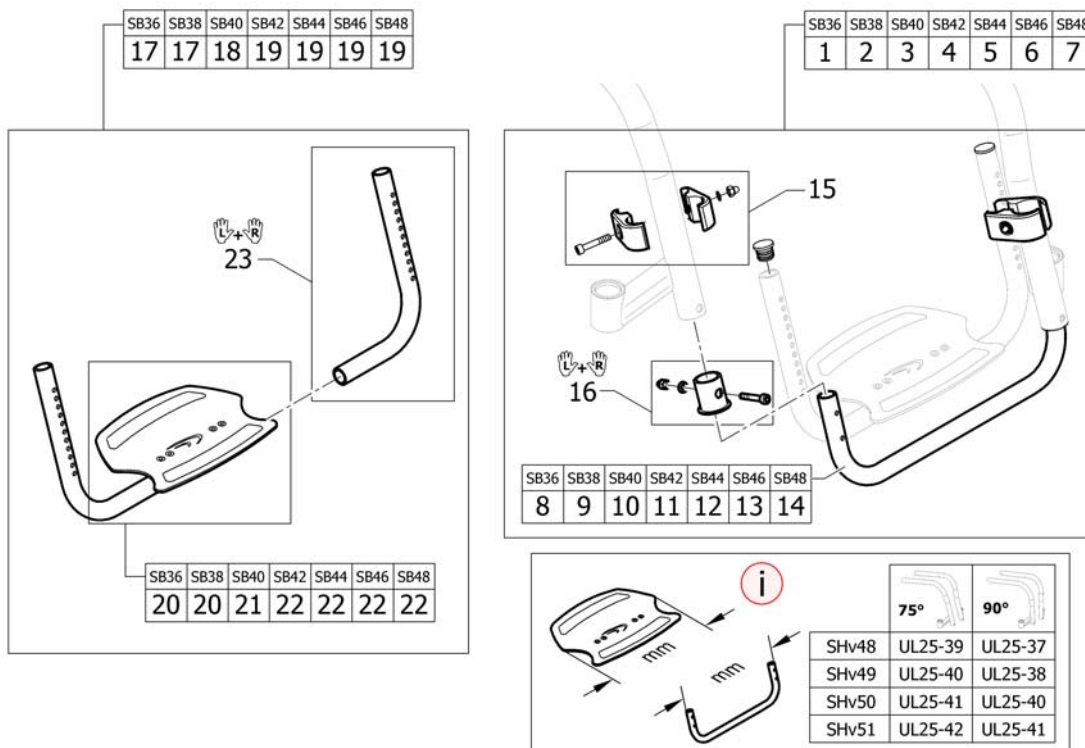


| Pos. | Part number | Description | Valid from → until | Qty |
|------|-------------|--|--------------------|-----|
| 1 | 1583641 | Tube set for footrest, mounted in high position, 310mm for adducted | | 1 |
| 2 | 1583642 | Tube set for footrest, mounted in high position, 330mm for adducted | | 1 |
| 3 | 1583643 | Tube set for footrest, mounted in high position, 350mm for adducted | | 1 |
| 4 | 1583644 | Tube set for footrest, mounted in high position, 370mm for adducted | | 1 |
| 5 | 1583646 | Tube set for footrest, mounted in high position, 390mm for adducted | | 1 |
| 6 | 1583647 | Tube set for footrest, mounted in high position, 410mm for adducted | | 1 |
| 7 | 1583648 | Tube set for footrest, mounted in high position, 430mm for adducted | | 1 |
| 8 | 1583650 | Tube for footrest, mounted in high position, 310mm for adducted frame | | 1 |
| 9 | 1583651 | Tube for footrest, mounted in high position, 330mm for adducted frame | | 1 |
| 10 | 1583652 | Tube for footrest, mounted in high position, 350mm for adducted frame | | 1 |
| 11 | 1583653 | Tube for footrest, mounted in high position, 370mm for adducted frame | | 1 |
| 12 | 1583654 | Tube for footrest, mounted in high position, 390mm for adducted frame | | 1 |
| 13 | 1583655 | Tube for footrest, mounted in high position, 410mm for adducted frame | | 1 |
| 14 | 1583656 | Tube for footrest, mounted in high position, 430mm for adducted frame | | 1 |
| 15 | 1495577 | Kit clamping pieces, footrest mounted in high position | | 2 |
| 16 | 1583602 | Footrest sleeve Alu | | 1 |
| 17 | 1583657 | Footrest Aluminium 290mm for frame 75° for footrest mounted in high position | | 1 |
| 18 | 1583658 | Footrest Aluminium 310mm for frame 75° for footrest mounted in high position | | 1 |
| 19 | 1583659 | Footrest Aluminium 330mm for frame 75° for footrest mounted in high position | | 1 |
| 20 | 1583660 | Footrest Aluminium 350mm for frame 75° for footrest mounted in high position | | 1 |
| 21 | 1583661 | Footrest Aluminium 370mm for frame 75° for footrest mounted in high position | | 1 |
| 22 | 1583701 | Footrest Aluminium 390mm for frame 75° for footrest mounted in high position | | 1 |
| 23 | 1583702 | Footrest Aluminium 410mm for frame 75° for footrest mounted in high position | | 1 |
| 24 | 1583703 | Footrest Aluminium 290mm for frame 90° for footrest mounted in high position | | 1 |

Footrest standard highmounted for adducted frame

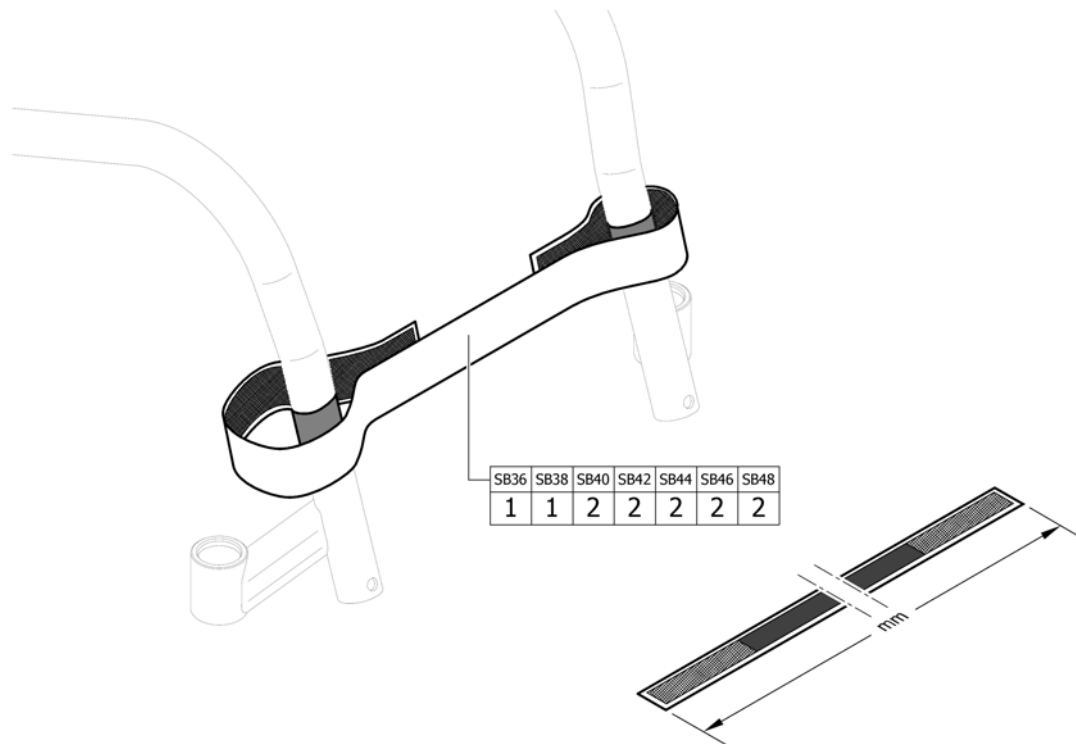
| Pos. | Part number | Description | Valid from → until | Qty |
|------|-------------|--|--------------------|-----|
| 25 | 1583750 | Footrest Aluminium 310mm for frame 90° for footrest mounted in high position | | 1 |
| 26 | 1583942 | Footrest Aluminium 330mm for frame 90° for footrest mounted in high position | | 1 |
| 27 | 1583943 | Footrest Aluminium 350mm for frame 90° for footrest mounted in high position | | 1 |
| 28 | 1583944 | Footrest Aluminium 370mm for frame 90° for footrest mounted in high position | | 1 |
| 29 | 1583945 | Footrest Aluminium 390mm for frame 90° for footrest mounted in high position | | 1 |
| 30 | 1583946 | Footrest Aluminium 410mm for frame 90° for footrest mounted in high position | | 1 |
| 31 | 1583595 | Footplate 174mm | | 1 |
| 32 | 1583596 | Footplate 194mm | | 1 |
| 33 | 1583597 | Footplate 214mm | | 1 |
| 34 | 1583598 | Footplate 234mm | | 1 |
| 35 | 1583599 | Footplate 254mm | | 1 |
| 36 | 1583600 | Footplate 274mm | | 1 |
| 37 | 1583601 | Footplate 294mm | | 1 |

Footrest angle adjustable highmounted for adducted frame



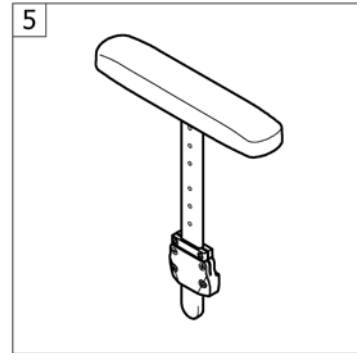
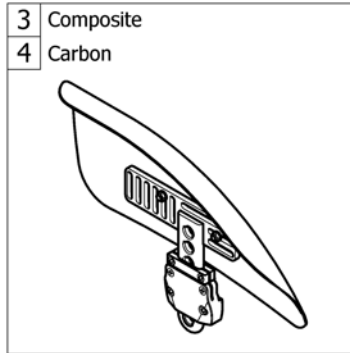
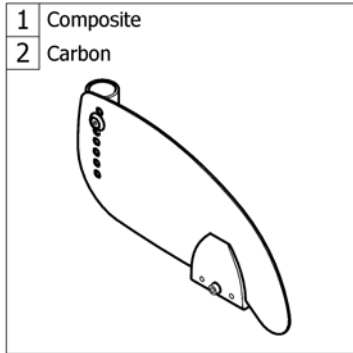
| Pos. | Part number | Description | Valid from → until | Qty |
|------|-------------|--|--------------------|-----|
| 1 | 1583641 | Tube set for footrest, mounted in high position, 310mm for adducted | | 1 |
| 2 | 1583642 | Tube set for footrest, mounted in high position, 330mm for adducted | | 1 |
| 3 | 1583643 | Tube set for footrest, mounted in high position, 350mm for adducted | | 1 |
| 4 | 1583644 | Tube set for footrest, mounted in high position, 370mm for adducted | | 1 |
| 5 | 1583646 | Tube set for footrest, mounted in high position, 390mm for adducted | | 1 |
| 6 | 1583647 | Tube set for footrest, mounted in high position, 410mm for adducted | | 1 |
| 7 | 1583648 | Tube set for footrest, mounted in high position, 430mm for adducted | | 1 |
| 8 | 1583650 | Tube for footrest, mounted in high position, 310mm for adducted frame | | 1 |
| 9 | 1583651 | Tube for footrest, mounted in high position, 330mm for adducted frame | | 1 |
| 10 | 1583652 | Tube for footrest, mounted in high position, 350mm for adducted frame | | 1 |
| 11 | 1583653 | Tube for footrest, mounted in high position, 370mm for adducted frame | | 1 |
| 12 | 1583654 | Tube for footrest, mounted in high position, 390mm for adducted frame | | 1 |
| 13 | 1583655 | Tube for footrest, mounted in high position, 410mm for adducted frame | | 1 |
| 14 | 1583656 | Tube for footrest, mounted in high position, 430mm for adducted frame | | 1 |
| 15 | 1495577 | Kit clamping pieces, footrest mounted in high position | | 2 |
| 16 | 1583602 | Footrest sleeve Alu | | 1 |
| 17 | 1583950 | Footrest angle adjustable 250mm for mounted in high position, complete | | 1 |
| 18 | 1583951 | Footrest angle adjustable 280mm for mounted in high position, complete | | 1 |
| 19 | 1583952 | Footrest angle adjustable 308mm for mounted in high position, complete | | 1 |
| 20 | 1583613 | Footplate 250mm with clamping part | | 1 |
| 21 | 1583614 | Footplate 280mm with clamping part | | 1 |
| 22 | 1583615 | Footplate 308mm with clamping part | | 1 |
| 23 | 1583947 | Telescop for footrest angle adjustable mounted in high position, pair | | 1 |

Calf strap



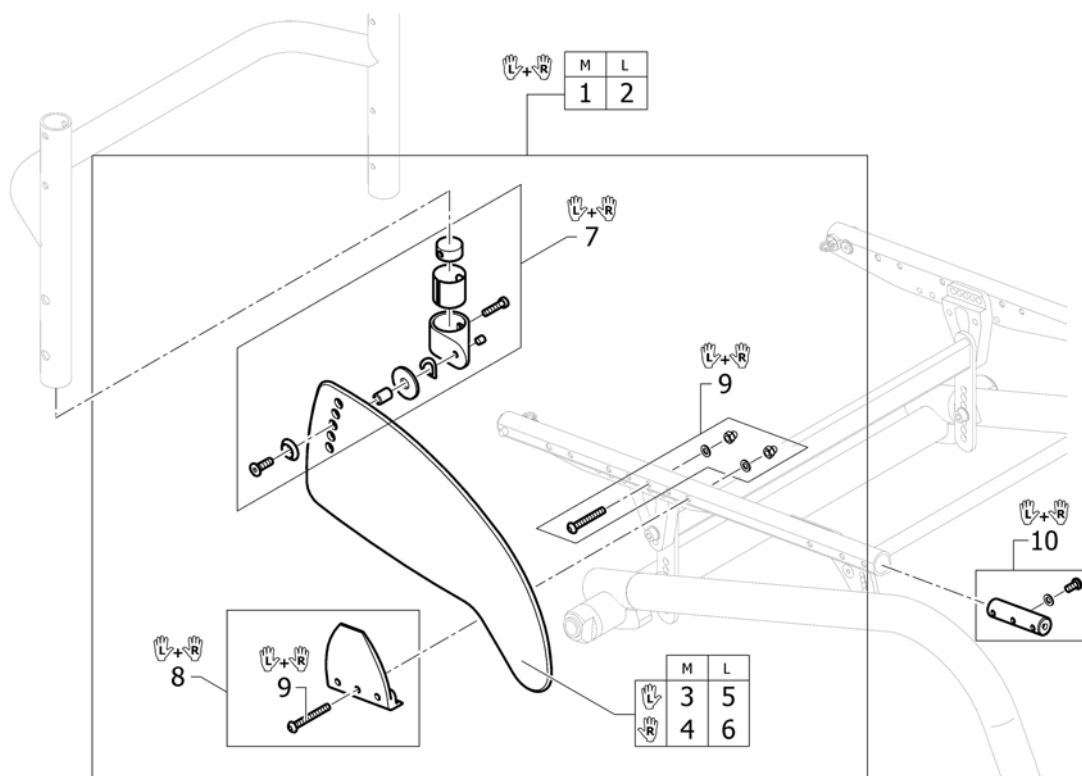
| Pos. | Part number | Description | Valid from → until | Qty |
|------|-------------|----------------------------|--------------------|-----|
| 1 | 1561528 | Calf strap complete, 780mm | | 1 |
| 2 | 1561529 | Calf strap complete, 940mm | | 1 |

SIDERESTS

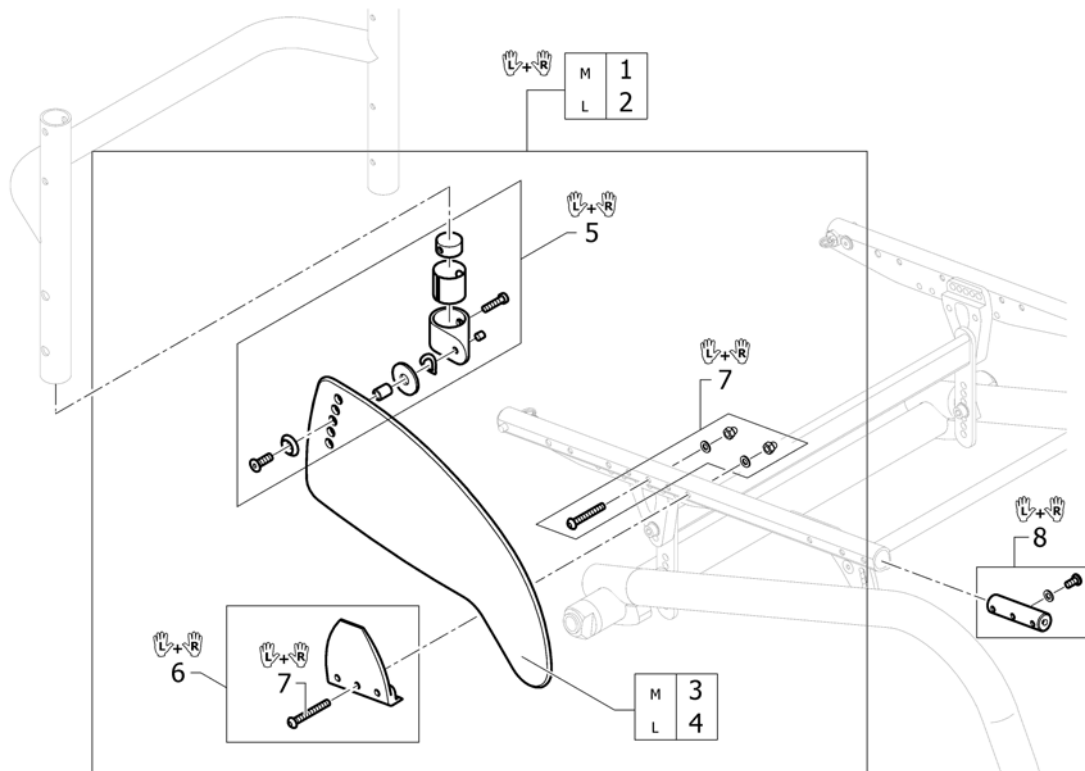


| Pos. | Part number | Description | Valid from → until | Qty |
|------|-------------|----------------------------|--------------------|-----|
| 1 | - | Clothes-guards composite | | 1 |
| 2 | - | Clothes-guards carbon | | 1 |
| 3 | - | Mudguards composite | | 1 |
| 4 | - | Mudguards carbon | | 1 |
| 5 | - | Siderest height adjustable | | 1 |

Clothes-guards composite

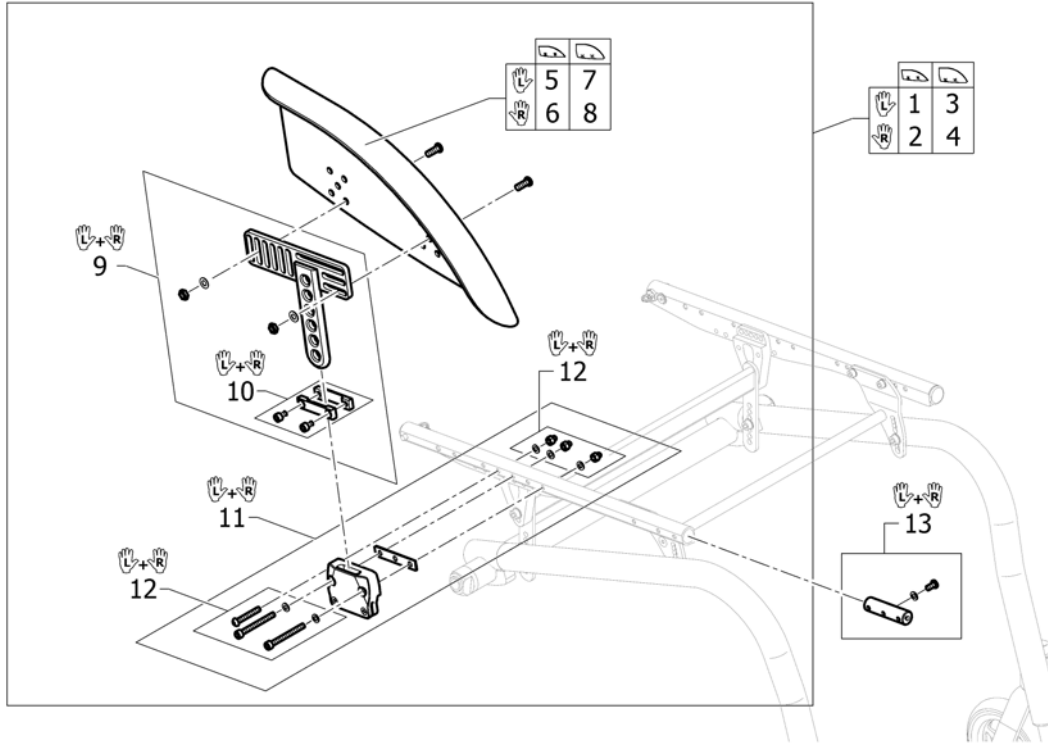


| Pos. | Part number | Description | Valid from → until | Qty |
|------|-------------|--|--------------------|-----|
| 1 | 1584839 | Clothes-guards economy M with fixation kit, pair | | 1 |
| 2 | 1584841 | Clothes-guards economy L with fixation kit, pair | | 1 |
| 3 | 1547467 | Clothes-guard economy M left | | 1 |
| 4 | 1547469 | Clothes-guard economy M right | | 1 |
| 5 | 1547468 | Clothes-guard economy L left | | 1 |
| 6 | 1547470 | Clothes-guard economy L right | | 1 |
| 7 | 1584842 | Fixation kit clothes-guard economy to backrest | | 1 |
| 8 | 1584837 | Fixation clothes-guard to frame, pair | | 1 |
| 9 | 1584838 | Screws kit for fixation clothe-guards to frame | | 1 |
| 10 | 1584863 | Thread insert for side guards, pair | | 1 |

Clothes-guards carbon

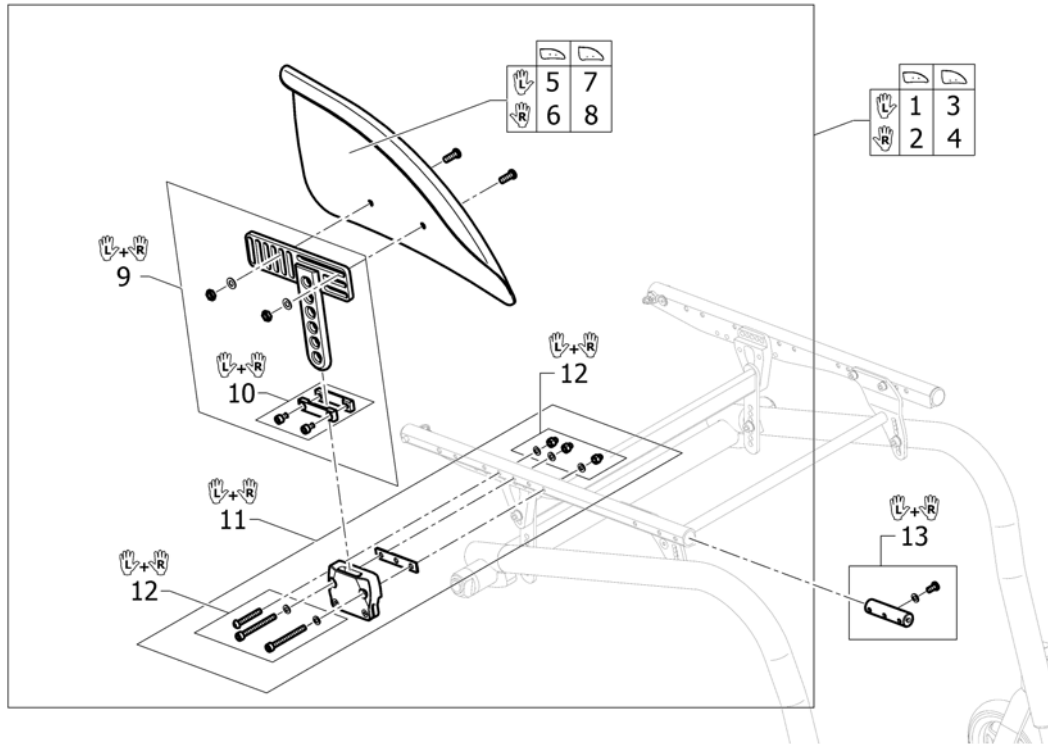
| Pos. | Part number | Description | Valid from → until | Qty |
|------|-------------|---|--------------------|-----|
| 1 | 1584833 | Clothes-guards carbon M with fixation kit, pair | | 1 |
| 2 | 1584834 | Clothes-guards carbon L with fixation kit, pair | | 1 |
| 3 | 1547461 | Clothes-guard carbon M | | 2 |
| 4 | 1547462 | Clothes-guard carbon L | | 2 |
| 5 | 1584836 | Fixation kit clothes-guard carbon to backrest | | 1 |
| 6 | 1584837 | Fixation clothes-guard to frame, pair | | 1 |
| 7 | 1584838 | Screws kit for fixation clothe-guards to frame | | 1 |
| 8 | 1584863 | Thread insert for side guards, pair | | 1 |

Mudguards composite



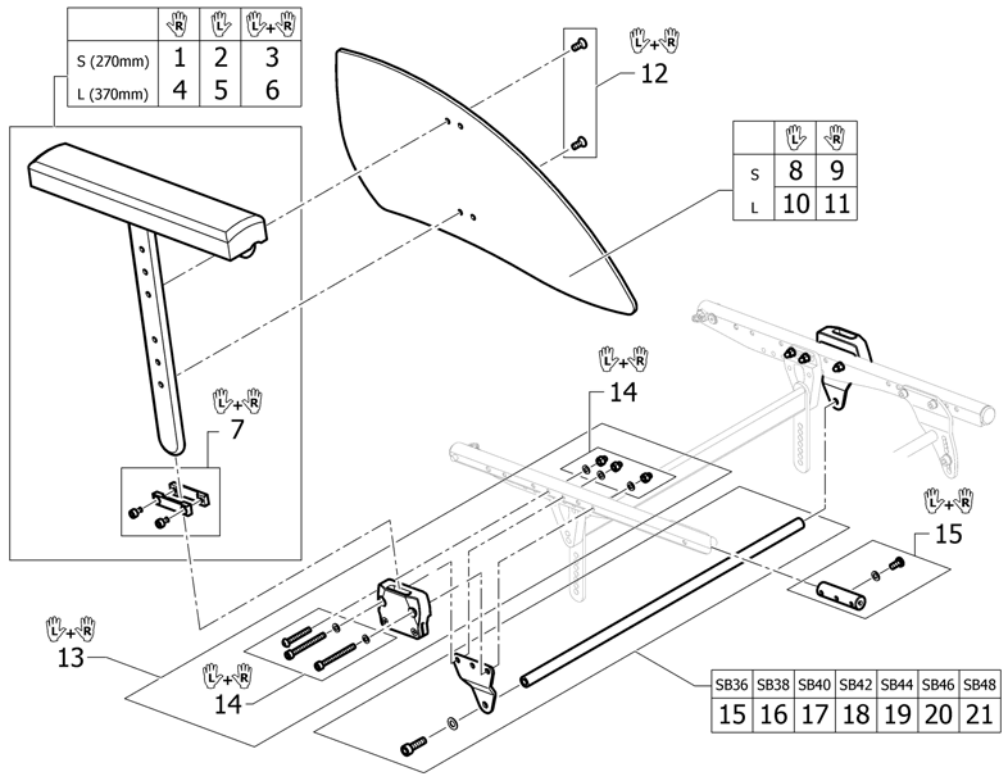
| Pos. | Part number | Description | Valid from → until | Qty |
|------|-------------|---|--------------------|-----|
| 1 | 1584850 | Mudguard Economy left M short complete | | 1 |
| 2 | 1584852 | Mudguard Economy right M short complete | | 1 |
| 3 | 1584851 | Mudguard Economy left L short complete | | 1 |
| 4 | 1584853 | Mudguard Economy right L short complete | | 1 |
| 5 | 1547556 | Mudguard Economy left M | | 1 |
| 6 | 1547579 | Mudguard Economy right M | | 1 |
| 7 | 1547578 | Mudguard Economy left L | | 1 |
| 8 | 1547580 | Mudguard Economy right L | | 1 |
| 9 | 1547554 | Mudguard Economy holder short, pair | | 1 |
| 10 | 1547537 | Siderests height clamp kit, pair | | 1 |
| 11 | 1584843 | Kit holder mudguard to seat module, pair | | 1 |
| 12 | 1584844 | Fixation kit for holder mudguard to seat module, pair | | 1 |
| 13 | 1584863 | Thread insert for side guards, pair | | 1 |

Mudguards carbon

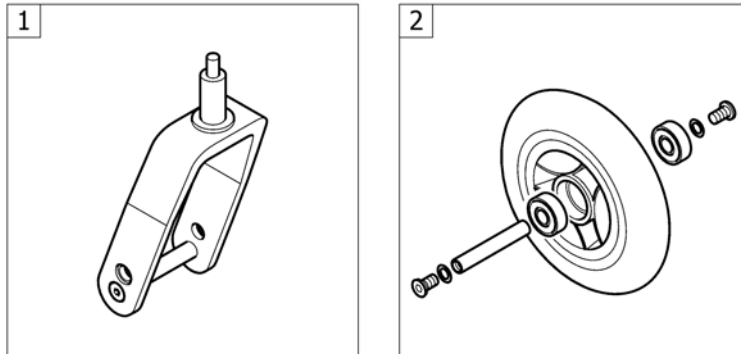


| Pos. | Part number | Description | Valid from → until | Qty |
|------|-------------|---|--------------------|-----|
| 1 | 1584846 | Mudguard carbon left M short complete | | 1 |
| 2 | 1584848 | Mudguard carbon right M short complete | | 1 |
| 3 | 1584847 | Mudguard carbon left L short complete | | 1 |
| 4 | 1584849 | Mudguard carbon right L short complete | | 1 |
| 5 | 1547533 | Mudguard carbon left M | | 1 |
| 6 | 1547535 | Mudguard carbon right M | | 1 |
| 7 | 1547534 | Mudguard carbon left L | | 1 |
| 8 | 1547536 | Mudguard carbon right L | | 1 |
| 9 | 1547488 | Mudguard carbon holder short, pair | | 1 |
| 10 | 1547537 | Siderests height clamp kit, pair | | 1 |
| 11 | 1584843 | Kit holder mudguard to seat module, pair | | 1 |
| 12 | 1584844 | Fixation kit for holder mudguard to seat module, pair | | 1 |
| 13 | 1584863 | Thread insert for side guards, pair | | 1 |

Siderest height adjustable

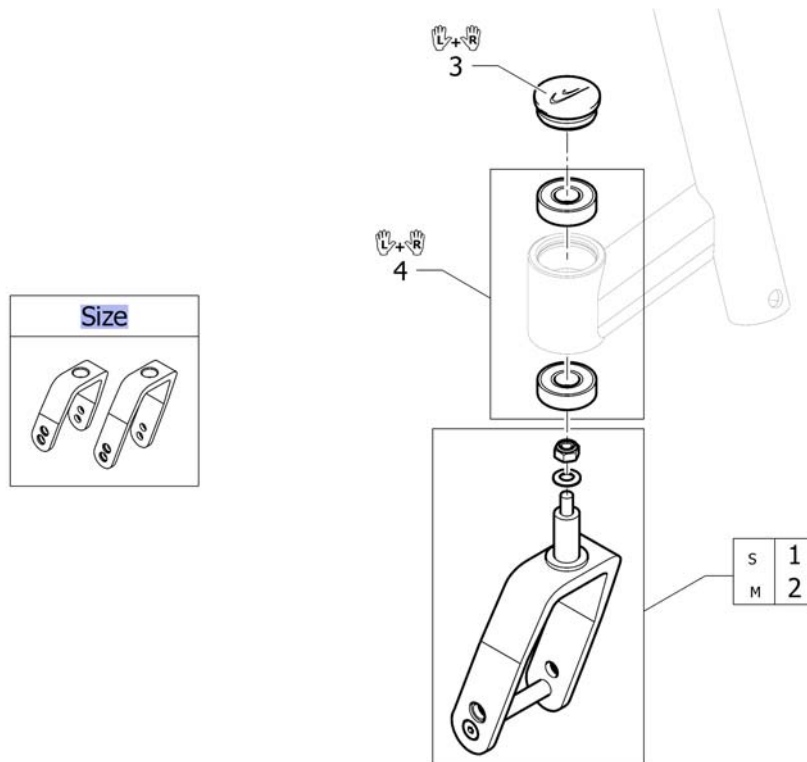


| Pos. | Part number | Description | Valid from → until | Qty |
|------|-------------|---|--------------------|-----|
| 1 | 1517677 | Siderest height adjustable short, right | | 1 |
| 2 | 1517678 | Siderest height adjustable short, left | | 1 |
| 3 | 1517682 | Siderest height adjustable short, pair | | 1 |
| 4 | 1517679 | Siderest height adjustable long, right | | 1 |
| 5 | 1517680 | Siderest height adjustable long, left | | 1 |
| 6 | 1517683 | Siderest height adjustable long, pair | | 1 |
| 7 | 1547537 | Siderests height clamp kit, pair | | 1 |
| 8 | 1517689 | Clothes-guard small left to siderest | | 1 |
| 9 | 1517690 | Clothes-guard small right to siderest | | 1 |
| 10 | 1517691 | Clothes-guard large left to siderest | | 1 |
| 11 | 1517692 | Clothes-guard large right to siderest | | 1 |
| 12 | 1517693 | Clothes-guard fixation kit | | 1 |
| 13 | 1584871 | Kit holder siderest height adjustable to seat module, pair | | 1 |
| 14 | 1584872 | Fixation kit for holder siderest height adjustable to seat module, pair | | 1 |
| 15 | 1584864 | Bracket kit for siderest, 336,5mm | | 1 |
| 16 | 1584865 | Bracket kit for siderest, 356,5mm | | 1 |
| 17 | 1584866 | Bracket kit for siderest, 376,5mm | | 1 |
| 18 | 1584867 | Bracket kit for siderest, 396,5mm | | 1 |
| 19 | 1584868 | Bracket kit for siderest, 416,5mm | | 1 |
| 20 | 1584869 | Bracket kit for siderest, 436,5mm | | 1 |
| 21 | 1584870 | Bracket kit for siderest, 456,5mm | | 1 |
| 22 | 1584863 | Thread insert for side guards, pair | | 1 |

FRONT WHEELS

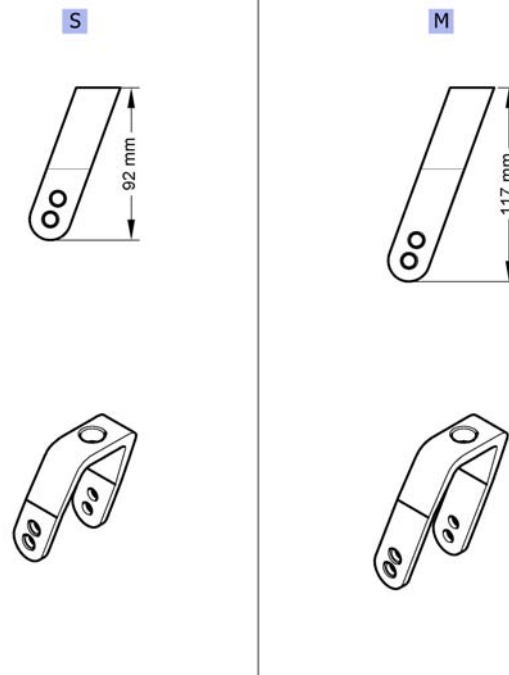
| Pos. | Part number | Description | Valid from → until | Qty |
|------|-------------|----------------------|--------------------|-----|
| 1 | - | Front forks standard | | 1 |
| 2 | - | Front wheels | | 1 |

Front forks standard



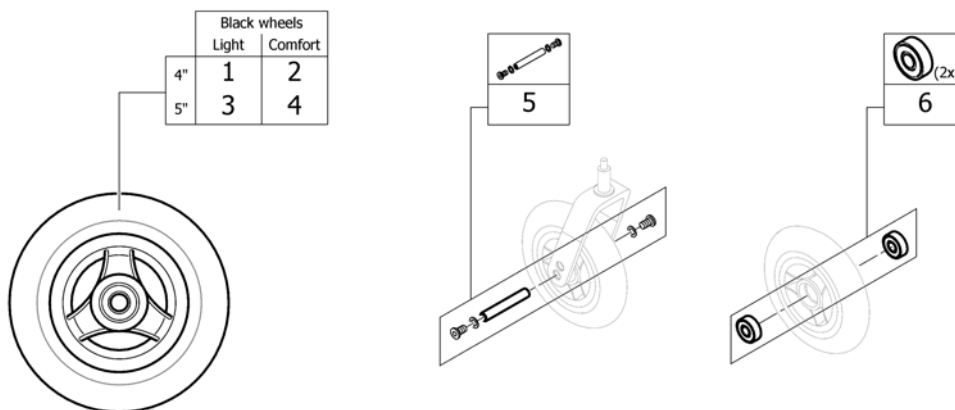
| Pos. | Part number | Description | Valid from → until | Qty |
|------|--------------|---|--------------------|-----|
| Size | - | Configuration table for front fork size | | 0 |
| 1 | 1584876-0004 | Front fork S with bolt, black anodized | | 2 |
| 2 | 1584877-0004 | Front fork M with bolt, black anodized | | 2 |
| 3 | 1487961-0004 | Bearing block cap pair, black anodized | | 1 |
| 4 | 1451718 | Bearing kit | | 1 |

Configuration table for front fork size

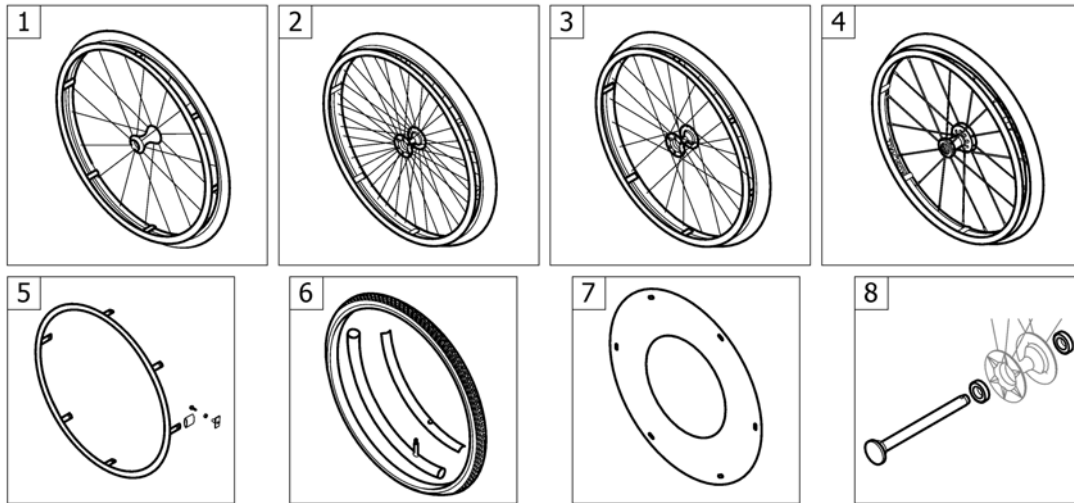


| Pos. | Part number | Description | Valid from → until | Qty |
|------|-------------|--------------------|--------------------|-----|
| S | - | Front fork, Size S | | 0 |
| M | - | Front fork, Size M | | 0 |

Front wheels

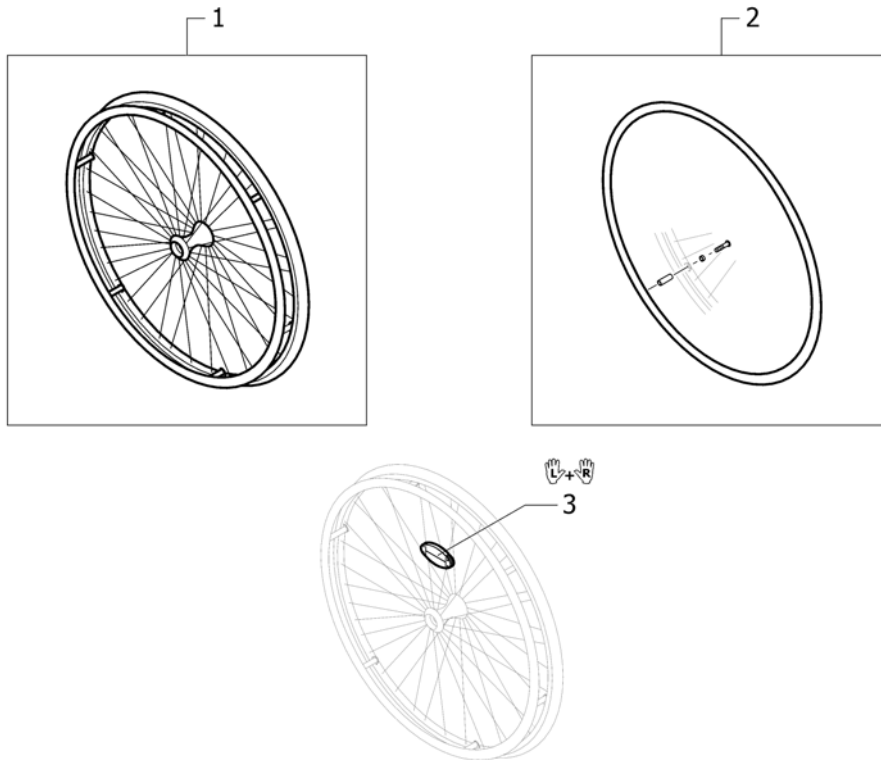


| Pos. | Part number | Description | Valid from → until | Qty |
|------|-------------|------------------------------------|--------------------|-----|
| 1 | 1562626 | 4" Everyday wheel, 3 spokes, black | | 2 |
| 2 | 1561139 | 4" Comfort wheel, black | | 2 |
| 3 | 1562627 | 5" Everyday wheel, 3 spokes, black | | 2 |
| 4 | 1542640 | 5" Comfort wheel, black | | 2 |
| 5 | 1570108 | Axle set without spacer | | 2 |
| 6 | 1570105 | Ball bearing 6000-2RS, pair | | 2 |

REAR WHEELS

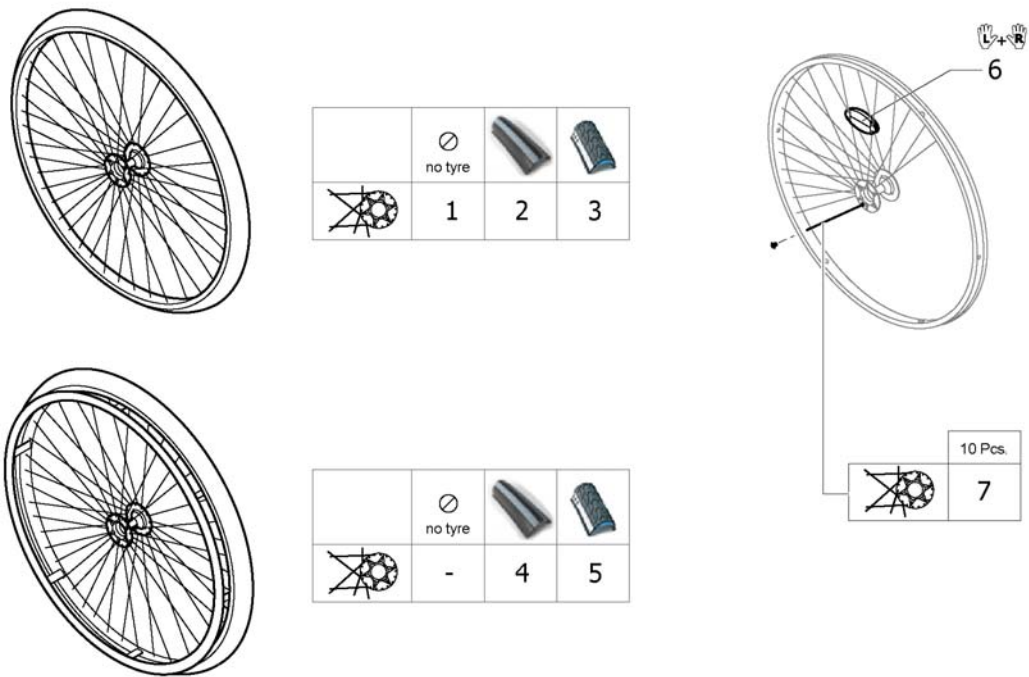
| Pos. | Part number | Description | Valid from → until | Qty |
|------|-------------|-----------------------------------|--------------------|-----|
| 1 | - | Economy wheel | | 1 |
| 2 | - | 24" Küschall rear wheels complete | | 1 |
| 3 | - | High Performance wheel | | 1 |
| 4 | - | Spinergy LXX wheel | | 1 |
| 5 | - | Handrim | | 1 |
| 6 | - | Tyre | | 1 |
| 7 | - | Spoke guard | | 1 |
| 8 | - | Quick release axle and bearing | | 1 |

Economy wheel



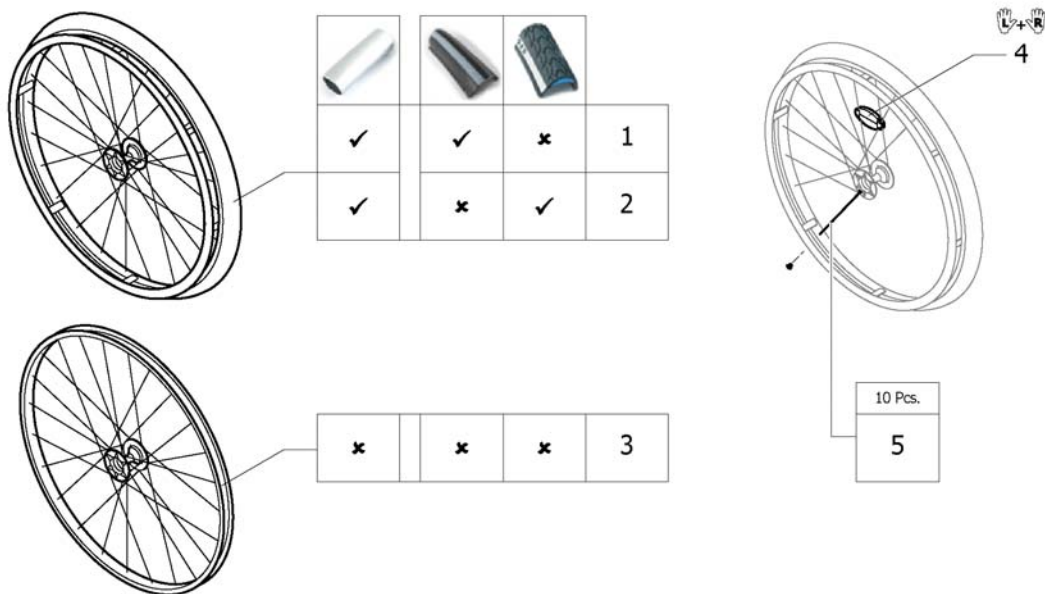
| Pos. | Part number | Description | Valid from → until | Qty |
|------|-------------|---|--------------------|-----|
| 1 | 1583058 | Rear wheel 24" Economy | | 2 |
| 2 | 1583059 | Handrim 24" Alu incl. Fixation kit for rear wheel 24" Economy | | 2 |
| 3 | 1571073 | Spokereflexion, pair | | 1 |

24" Küschall rear wheels complete



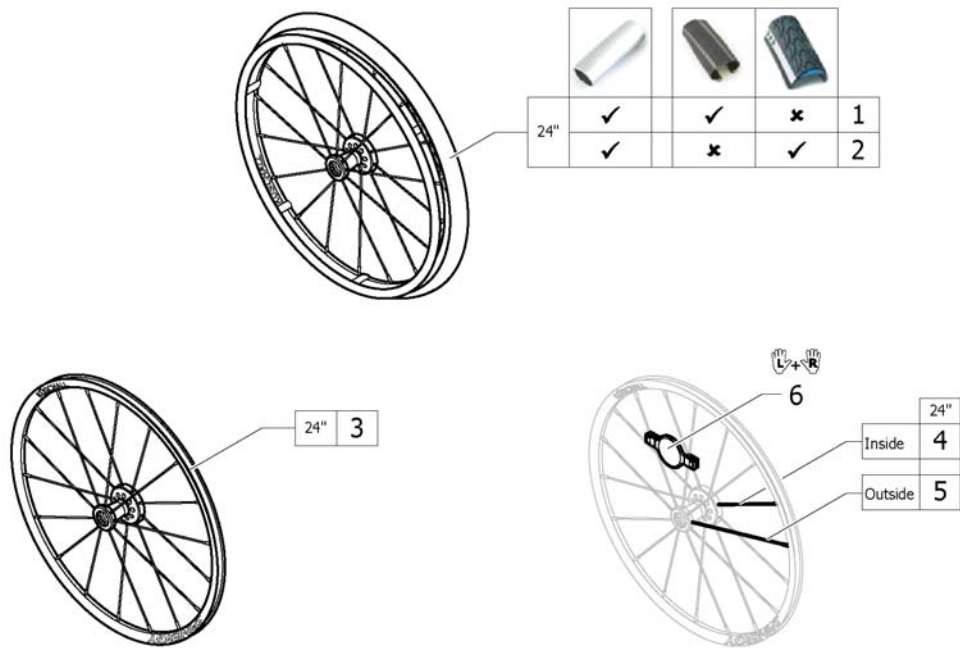
| Pos. | Part number | Description | Valid from → until | Qty |
|------|--------------|--|--------------------|-----|
| 1 | 1567104-0407 | Rear wheel 24", Starec X, colourless, without handrim, without tyre | | 2 |
| 2 | SP1601745 | Rear wheel 24", Starec hub X, without handrim, Rightrun black/grey tyre <i>Replaces 1570471</i> | | 2 |
| 3 | 1554399-0407 | Rear wheel 24", Starec X, colourless, without handrim, marathon | | 2 |
| 4 | SP1601747 | Rear wheel 24", Starec hub X, handrim, Rightrun black/grey tyre <i>Replaces 1570472</i> | | 2 |
| 5 | 1554400-0407 | Rear wheel 24", Starec X, colourless, handrim, marathon evolution | | 2 |
| 6 | 1571073 | Spokereflection, pair | | 1 |
| 7 | 1579086 | Spokes 253mm complete, kit 10 Pcs. | | 1 |

High Performance wheel




| Pos. | Part number | Description | Valid from → until | Qty |
|------|----------------|---|--------------------|-----|
| 1 | SP1601754-0407 | Rear wheel 24" High Performance colourless, handrim, tyre Rightrun black/ grey <i>Replaces 1420958</i> | | 2 |
| 2 | 1527046 | Wheel 24", High Performance, colourless, handrim alu, tyre Marathon Evolution | | 2 |
| 3 | 1517723-0407 | Wheel 24", High Performance, colourless, without handrim, without tyre | | 2 |
| 4 | 1571073 | Spokereflection, pair | | 1 |
| 5 | 1578867 | Spokes kit for High Performance wheel 24", 10 Pcs. | | 1 |

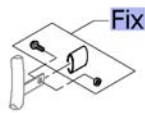
Spinergy LXX wheel



| Pos. | Part number | Description | Valid from → until | Qty |
|------|-------------|--|--------------------|-----|
| 1 | 1585007 | Rear wheel 24", Spinergy LXX, handrim alu, tyre Schwalbe One | | 2 |
| 2 | 1585008 | Rear wheel 24", Spinergy LXX, handrim alu, tyre Marathon Evolution | | 2 |
| 3 | 1579102 | Rear wheel 24", Spinergy LXX, without handrim, without tyre | | 2 |
| 4 | 1579103 | Spoke inside for Spinergy LXX wheel 24", 236mm., 1 Pcs. | | 9 |
| 5 | 1579104 | Spoke outside for Spinergy LXX wheel 24", 249mm., 1 Pcs. | | 9 |
| 6 | 1571088 | Spoke reflection for Spinergy wheel, pair | | 1 |






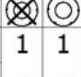


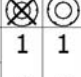









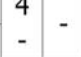

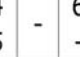


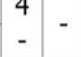

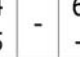




Handrim

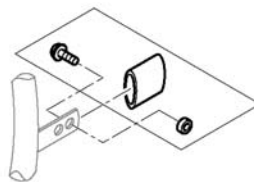
| | | | | | | |
|---|------------------|---|---|---|---|--|
| | |  |  |  |  |  |
| | | 3cm | 24" | 24" | 24" | 24" |
| | |  | | | | |
| | | 4cm | | | | |
|  | Küschall wheel | 3cm | 1 | 2 | 3 | 4 |
| | | 4cm | - | - | | |
|  | High Performance | 3cm | 1 | 2 | 3 | 4 |
| | | 4cm | - | - | | |
|  | Spinergy LXX | 3cm | 1 | 2 | 3 | 4 |
| | | 4cm | - | - | | |



| Pos. | Part number | Description | Valid from → until | Qty |
|------|--------------|--|--------------------|-----|
| Fix | - | Fixation handrim | | 2 |
| 1 | 1568714-0005 | Handrim 24" Aluminium, distance 3cm | | 2 |
| 2 | 1568715 | Handrim 24" steel polished, distance 3cm | | 2 |
| 3 | 1568703 | Handrim 24" Super-Grip | | 2 |
| 4 | 1556916 | Handrim 24" LT Surge | | 2 |








Fixation handrim

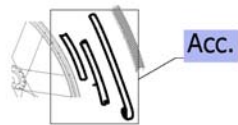
| | | Aluminium | Steel | Supergrip | Surge | | |
|---|-----|---|---|--|---|---|---|
|  | 3cm |  |  |  |  | | |
| | 4cm |  |  |  |  | | |
|  Küschall wheel | 3cm |  |  |  |  | 1 | 1 |
| | 4cm |  |  |  |  | 1 | 1 |
|  High Performance | 3cm |  |  |  |  | 4 | 4 |
| | 4cm |  |  |  |  | 2 | 3 |
|  Spinergy LXX | 3cm |  |  |  |  | 4 | 4 |
| | 4cm |  |  |  |  | 5 | 6 |



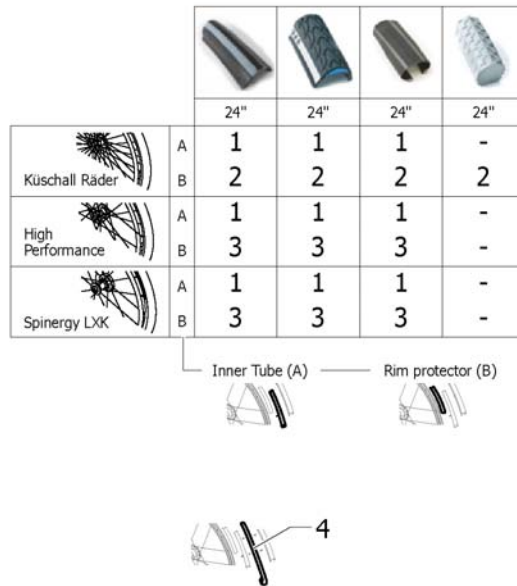
| Pos. | Part number | Description | Valid from → until | Qty |
|------|-------------|---|--------------------|-----|
| 1 | 1495958 | Fixation kit handrim, 3 cm | | 2 |
| 2 | 1495959 | Fixation kit handrim, 4 cm | | 2 |
| 3 | 1495961 | Fixation kit handrim, 4 cm with spokes guard | | 2 |
| 4 | 1496019 | Fixation kit handrim for High Performance wheel, 3 cm | | 2 |
| 5 | 1496020 | Fixation kit handrim for High Performance wheel, 4 cm | | 2 |
| 6 | 1497111 | Fixation kit handrim for High Performance wheel, 4 cm with spokes guard | | 2 |

Tyre

| | | | | |
|--|---|---|---|---|
| |  |  |  |  |
| | 24" | 24" | 24" | 24" |
|  Küschall Räder | 1 | 2 | 3 | 4 |
|  High Performance | 1 | 2 | 3 | - |
|  Spinergy LxK | 1 | 2 | 3 | - |

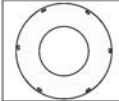





| Pos. | Part number | Description | Valid from → until | Qty |
|------|-------------|---|--------------------|-----|
| Acc. | - | Inner tube and rim protector | | 2 |
| 1 | SP1590118 | Tyre Rightrun black/grey 24" <i>Replaces 1570828</i> | | 2 |
| 2 | 1570838 | Tyre 24" Marathon Evolution | | 2 |
| 3 | 1578802 | Tyre 24" Schwalbe One | | 2 |
| 4 | 1570831 | Solid tyre 24", profile | | 2 |



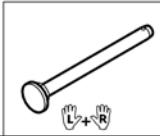





| Pos. | Part number | Description | Valid from → until | Qty |
|------|-------------|---|--------------------|-----|
| 1 | 1570849 | Inner Tube 24" x 1" | | 2 |
| 2 | 1570845 | Rim protection 24" Large | | 2 |
| 3 | 1495962 | Rim Protection for High Performance / Spinegy wheel | | 2 |
| 4 | 1571072 | Rear wheel inset anti-flat for 20,22,24,26" tyre | | 1 |

Spoke guard

| | |
|--|---|
| |  |
| | 24" |
|  Küschall wheel | 1 |
|  High Performance | 1 |
|  Spinergy LXX | - |

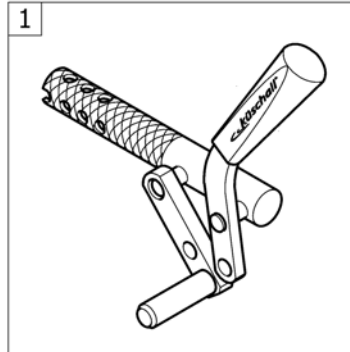
| Pos. | Part number | Description | Valid from → until | Qty |
|------|-------------|------------------------------|--------------------|-----|
| 1 | 1564457 | Spokes guard Transparent 24" | | 2 |

Küschall® K-Series attract | REAR WHEELS
Quick release axle and bearing

| | | |
|--|---|--|
| |  |  |
| | L+R | L+R |
|  Küschall wheel | 1 | 3 |
|  High Performance | 1 | 3 |
|  Spinergy LXX | 2 | 3 |
|  Economy | 1 | - |

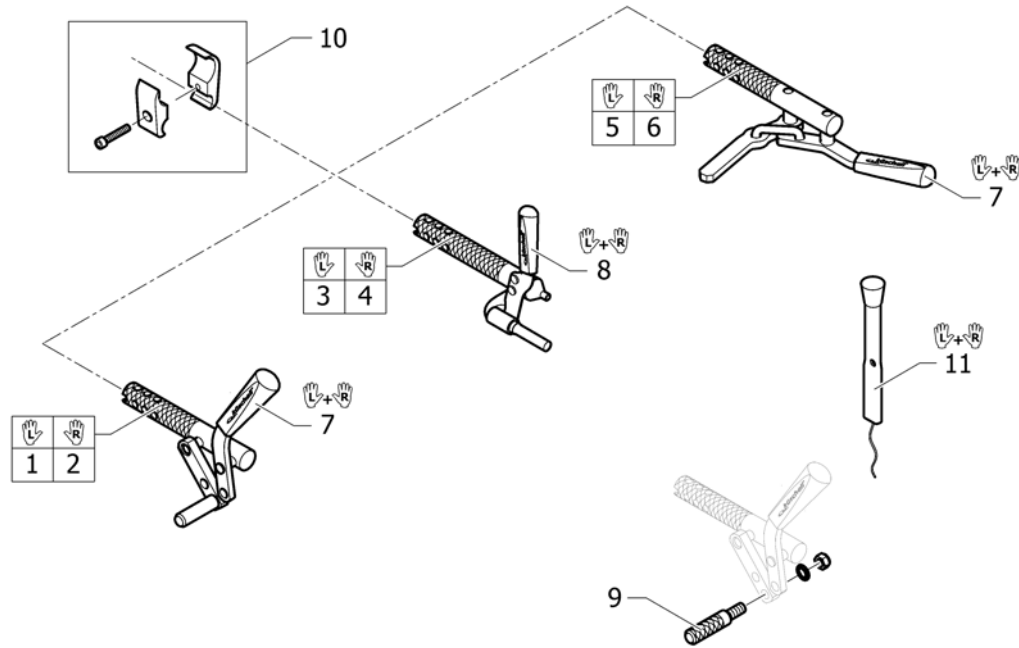
| Pos. | Part number | Description | Valid from → until | Qty |
|------|--------------|--|--------------------|-----|
| 1 | 1509137-0407 | Quick release axles long with cap, pair, colourless | | 1 |
| 2 | 1507627 | Quickrelease axle long with cap for Spinergy wheel, pair | | 1 |
| 3 | 1571069 | Bearing R8-2RS 1/2"/1.1/8"x5/16", pair | | 2 |

BRAKES



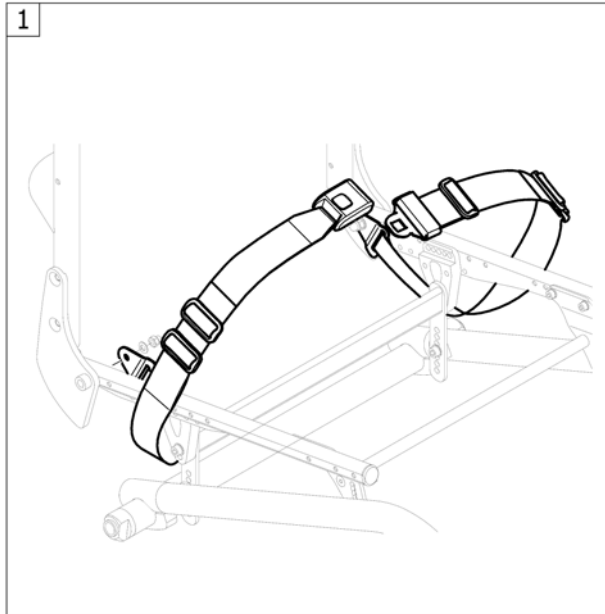
| Pos. | Part number | Description | Valid from → until | Qty |
|------|-------------|-------------|--------------------|-----|
| 1 | - | Brakes | | 1 |

Brakes



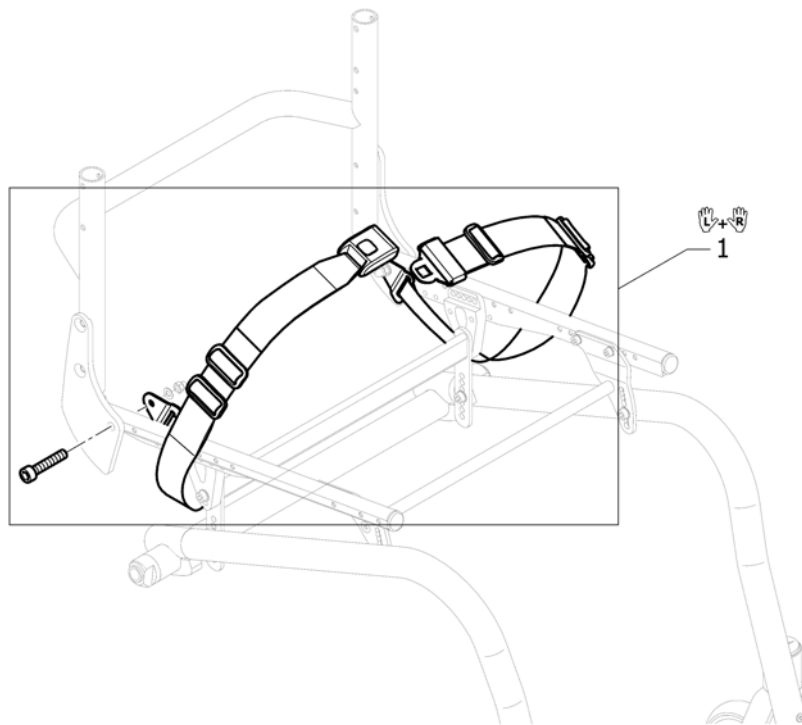
| Pos. | Part number | Description | Valid from → until | Qty |
|------|-------------|--|--------------------|-----|
| 1 | 1562583 | Brake, bent lever, left | | 1 |
| 2 | 1562584 | Brake, bent lever, right | | 1 |
| 3 | 1562591 | Performance brake left | | 1 |
| 4 | 1562592 | Performance brake right | | 1 |
| 5 | 1562593 | Active brake left | | 1 |
| 6 | 1562594 | Active brake right | | 1 |
| 7 | 1513177 | Brake handle standard, pair | | 1 |
| 8 | 1513178 | Brake handle for performance brake, pair | | 1 |
| 9 | 1579328 | Brake shoe standard (40mm), kit 4 Pcs. | | 1 |
| 10 | 1562599 | Clamping piece to brake, set | | 2 |
| 11 | 1513179 | Brake lever extension, pair | | 1 |

SAFETY OPTIONS



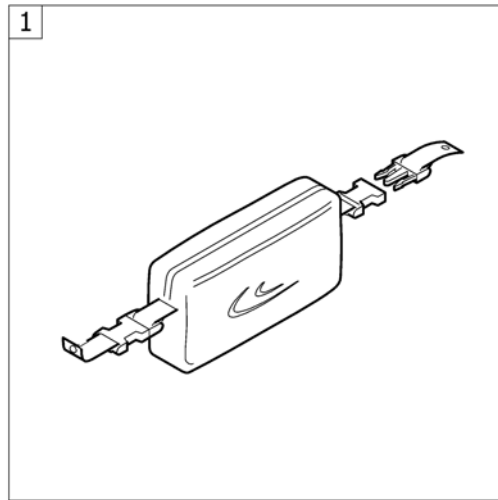
| Pos. | Part number | Description | Valid from → until | Qty |
|------|-------------|-----------------------------|--------------------|-----|
| 1 | - | Seatbelt for transportation | | 1 |

Seatbelt for transportation



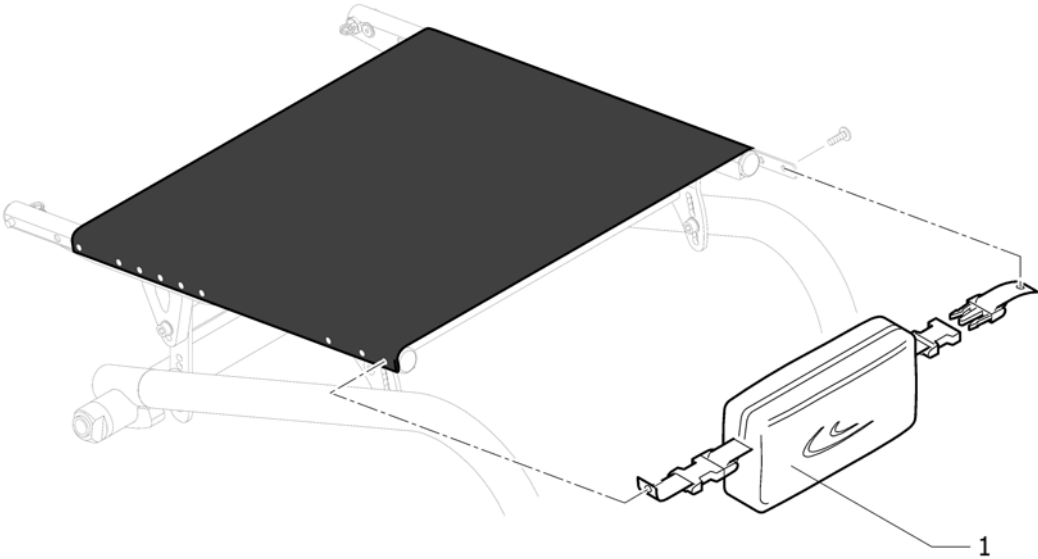
| Pos. | Part number | Description | Valid from → until | Qty |
|------|-------------|-----------------------------|--------------------|-----|
| 1 | 1561025 | Seatbelt for transportation | | 1 |

SEAT ACCESSORIES



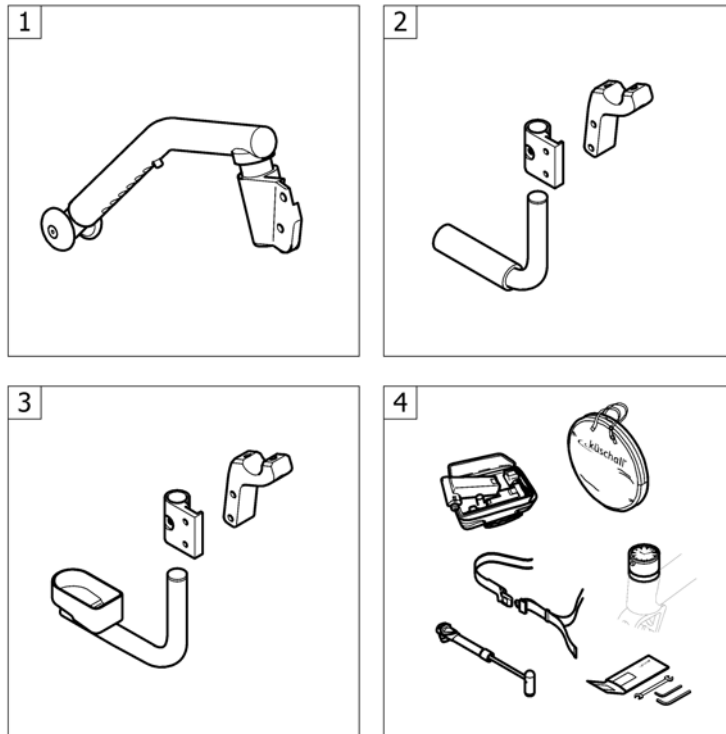
| Pos. | Part number | Description | Valid from → until | Qty |
|------|-------------|----------------|--------------------|-----|
| 1 | - | Seat frame bag | | 1 |

Seat frame bag

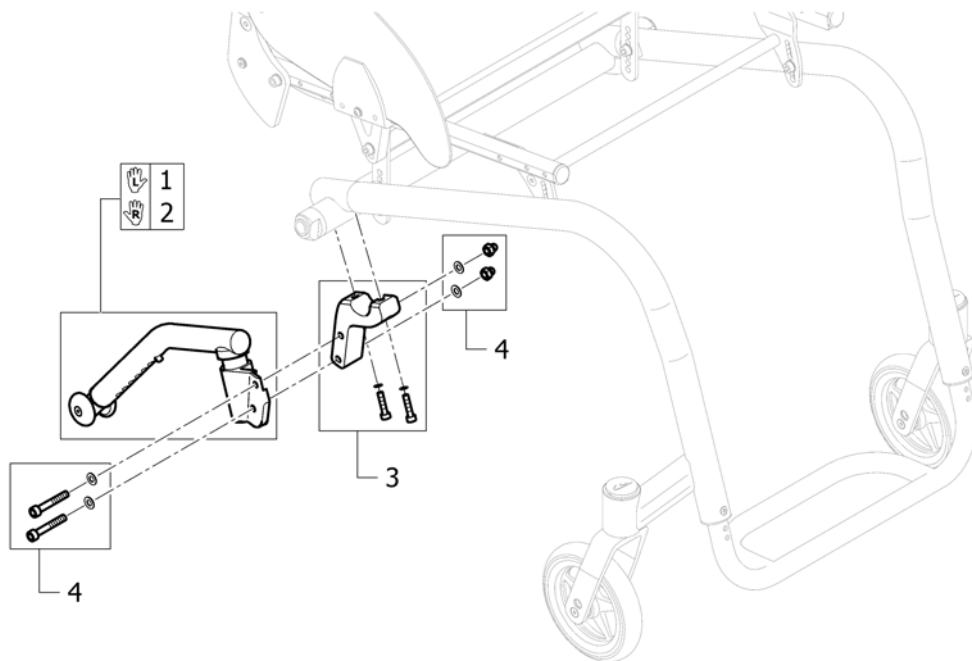


| Pos. | Part number | Description | Valid from → until | Qty |
|------|-------------|-------------|--------------------|-----|
| 1 | 1529340 | Seat bag | | 1 |

OPTIONS & ACCESSORIES

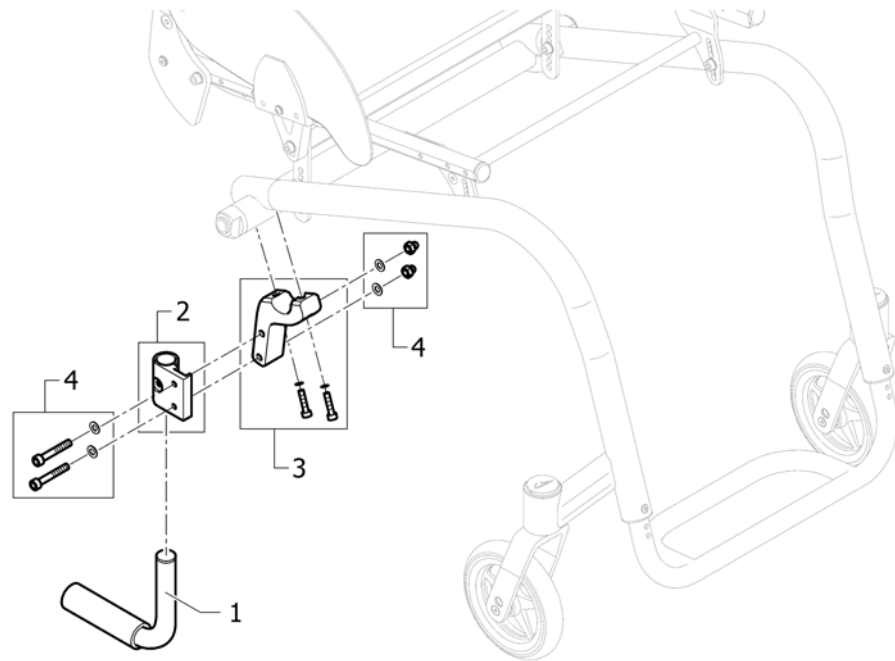


| Pos. | Part number | Description | Valid from → until | Qty |
|------|-------------|-------------------|--------------------|-----|
| 1 | - | Antitipper | | 1 |
| 2 | - | Tipper aid | | 1 |
| 3 | - | Cane holder | | 1 |
| 4 | - | Chair accessories | | 1 |

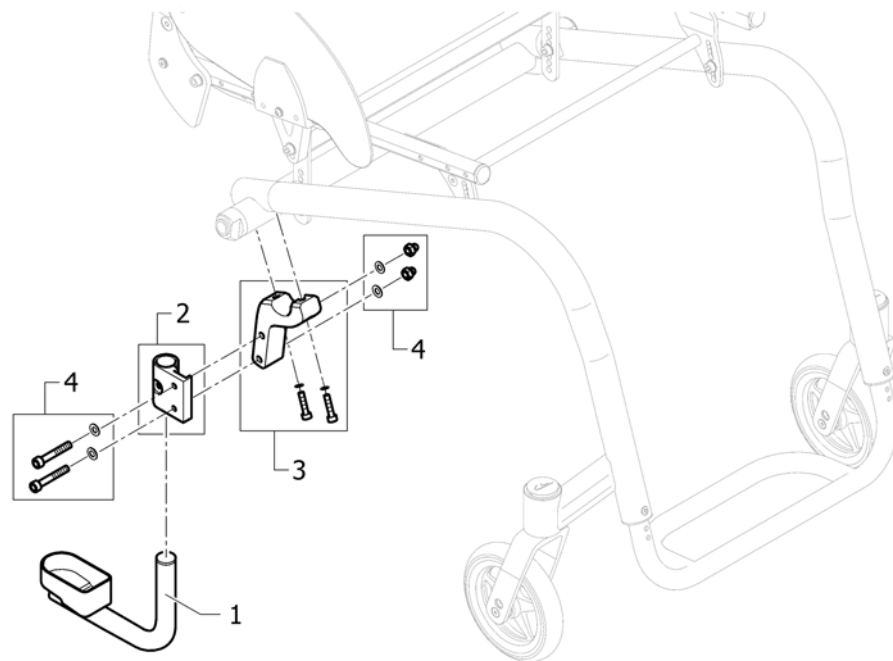
Antitipper

| Pos. | Part number | Description | Valid from → until | Qty |
|------|-------------|-----------------------------------|--------------------|-----|
| 1 | 1488927 | Antitipper short left complete | | 1 |
| 2 | 1488928 | Antitipper short right complete | | 1 |
| 3 | 1585058 | Adaptions holder kit | | 1 |
| 4 | 1585083 | Fixation kit for adaptions holder | | 1 |

Tipper aid

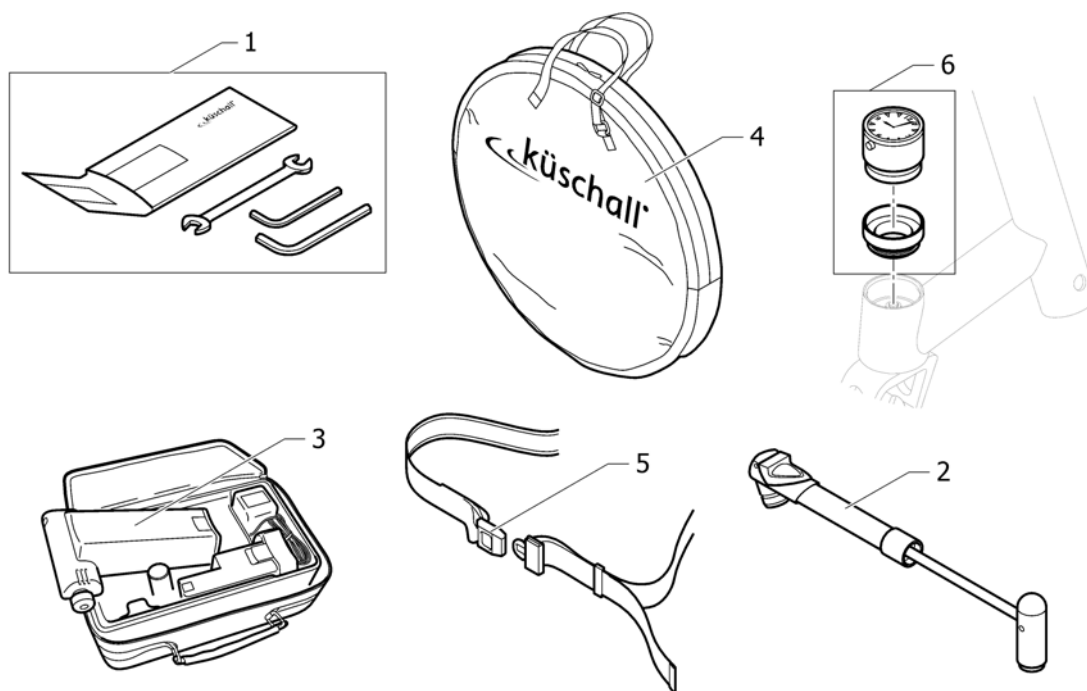


| Pos. | Part number | Description | Valid from → until | Qty |
|------|-------------|-----------------------------------|--------------------|-----|
| 1 | 1438213 | Tipper-Aid complete UL/C04 | | 1 |
| 2 | 1585084 | Adaption holder | | 1 |
| 3 | 1585058 | Adaptions holder kit | | 1 |
| 4 | 1585083 | Fixation kit for adaptions holder | | 1 |

Cane holder

| Pos. | Part number | Description | Valid from → until | Qty |
|------|-------------|-----------------------------------|--------------------|-----|
| 1 | 1438214 | cane holder complete UL/C04 | | 1 |
| 2 | 1585084 | Adaption holder | | 1 |
| 3 | 1585058 | Adaptions holder kit | | 1 |
| 4 | 1585083 | Fixation kit for adaptions holder | | 1 |

Chair accessories



| Pos. | Part number | Description | Valid from → until | Qty |
|------|-------------|--|--------------------|-----|
| 1 | 1518285 | Tool Kit | | 1 |
| 2 | 1517924 | Air pump | | 1 |
| 3 | 1518286 | Air man | | 1 |
| 4 | 1518287 | Wheel bag 24" - 26" | | 1 |
| 5 | 1518288 | Seat belt | | 1 |
| 6 | 1589117 | Küschall watch mounted on bearing block, kit | 2016-01-01 → | 1 |



Yes, you can.®



Belgium & Luxemburg:

Invacare nv, Autobaan 22, B-8210 Loppem
Tel: (32) (0)50 83 10 10, Fax: (32) (0)50 83 10 11
belgium@invacare.com / www.invacare.be

Denmark:

Invacare A/S, Sdr. Ringvej 37, DK-2605 Brøndby
Tel: (45) (0)36 90 00 00, Fax: (45) (0)36 90 00 01
denmark@invacare.com / www.invacare.dk

Deutschland:

Invacare Aquatec GmbH, Alemannenstraße 10, D-88316 Isny
Tel: (49) (0)75 62 7 00 0, Fax: (49) (0)75 62 7 00 66
info@invacare-aquatec.com / www.invacare-aquatec.de

European Distributor Organisation:

Invacare, Kleiststraße 49, D-32457 Porta Westfalica
Tel: (49) (0)57 31 754 540, Fax: (49) (0)57 31 754 541
edo@invacare.com / www.invacare.eu.com

España:

Invacare SA, c/Areny s/n, Polígon Industrial de Celrà, E-17460 Celrà (Girona)
Tel: (34) (0)972 49 32 00, Fax: (34) (0)972 49 32 20
contactsp@invacare.com / www.invacare.es

France:

Invacare Poirier SAS, Route de St Roch, F-37230 Fondettes
Tel: (33) (0)2 47 62 64 66, Fax: (33) (0)2 47 42 12 24
contactfr@invacare.com / www.invacare.fr

Ireland:

Invacare Ireland Ltd, Unit 5 Seatown Business Campus, Seatown Road, Swords, County Dublin - Ireland
Tel: (353) 1 810 7084, Fax: (353) 1 810 7085
ireland@invacare.com / www.invacare.ie

Italia:

Invacare Mecc San s.r.l., Via dei Pini 62, I-36016 Thiene (VI)
Tel: (39) 0445 38 00 59, Fax: (39) 0445 38 00 34
italia@invacare.com / www.invacare.it

Nederland:

Invacare BV, Celsiusstraat 46, NL-6716 BZ Ede
Tel: (31) (0)318 695 757, Fax: (31) (0)318 695 758
nederland@invacare.com, csede@invacare.com / www.invacare.nl

Norge:

Invacare AS, Grensesvingen 9, Postboks 6230, Etterstad, N-0603 Oslo
Tel: (47) (0)22 57 95 00, Fax: (47) (0)22 57 95 01
norway@invacare.com, island@invacare.com / www.invacare.no

Österreich:

Invacare Austria GmbH, Herzog Odilostrasse 101, A-5310 Mondsee
Tel: (43) 6232 5535 0, Fax: (43) 6232 5535 4
info-austria@invacare.com / www.invacare.at

Portugal:

Invacare Lda, Rua Estrada Velha, 949, P-4465-784 Leça do Balio
Tel: (351) (0)225 1059 46/47, Fax: (351) (0)225 1057 39
portugal@invacare.com / www.invacare.pt

Sverige & Suomi:

Invacare AB, Fagerstagatan 9, S-163 91 Spånga
Tel: (46) (0)8 761 70 90, Fax: (46) (0)8 761 81 08
sweden@invacare.com, finland@invacare.com / www.invacare.se

Switzerland:

Invacare AG, Benkenstrasse 260, CH-4108 Witterswil
Tel: (41) (0)61 487 70 80, Fax: (41) (0)61 487 70 81
switzerland@invacare.com / www.invacare.ch

United Kingdom:

Invacare Limited, Pencoed Technology Park, Pencoed, Bridgend CF35 5AQ
Switchboard Tel: (44) (0)1656 776200, Fax: (44) (0)1656 776201
Customer services Tel: (44) (0)1656 776222, Fax: (44) (0)1656 776220
uk@invacare.com / www.invacare.co.uk