

Spare Parts Catalogue

Version: 2015/07/30b EN



küschall® Champion



Yes, you can.®

General Information

For any order of spare parts the following information is required:

- Product type*
- Product name & model*
- Serial Number*
- Part-Number*
- Part-Description*

Exploded view drawings and code numbers are not contractual and subject to modification, in relation to Invacare® continuous product improvement policy to meet end users needs.

The reproduction or use of this work, or of any substantial part of this work, in any form or by any electronic, mechanical or other means, including photocopying, scanning and recording, and in any information storage and retrieval system, including electronic transmission, is forbidden without the prior written permission of Invacare® International Sarl.



Yes, you can.®

TABLE OF CONTENTS

INFORMATION

| | |
|---------------------|---|
| Frame colours | 7 |
| CPS colours | 8 |

CHASSIS

| | |
|------------------------------------|----|
| CHASSIS | 9 |
| Frame Aluminium 75° standard | 10 |
| Frame Aluminium 75° adducted | 16 |
| Frame Titanium 75° standard | 21 |
| Frame Carbon 85° | 22 |
| Frame Aluminium 90° standard | 23 |
| Frame Aluminium 90° adducted | 29 |
| Frame Titanium 90° standard | 34 |
| Folding unit | 35 |

SEAT

| | |
|--|----|
| SEAT | 37 |
| Seat cover | 38 |
| Fixation seat cover with clothes-guard | 40 |
| Fixation seat cover with mudguard | 41 |
| Fixation seat cover with siderest | 42 |
| Seat cover light | 43 |
| Fixation seat cover with clothes-guard | 40 |
| Fixation seat cover with mudguard | 41 |
| Fixation seat cover with siderest | 42 |
| Seat cushion standard | 45 |

BACKREST

| | |
|---|----|
| BACKREST | 46 |
| Push handles to standard backrest | 47 |
| Push handles to tension adjustable backrest | 48 |
| Push handles height adjustable | 49 |
| Push handles, height adjustable, rear set | 50 |
| Backrest cover, standard | 51 |
| Bands to adjustable backrest | 52 |
| Backrest cover, tension adjustable | 53 |
| Backrest stabilization bar | 55 |

FOOTREST

| | |
|------------------------------|----|
| FOOTREST | 56 |
| Footrest | 57 |
| Footrest, high mounted | 59 |
| Calf strap | 60 |

SIDERESTS

| | |
|--|----|
| SIDERESTS | 61 |
| Clothes-guards | 62 |
| Fixation seat cover with clothes-guard | 40 |



Yes, you can.®

TABLE OF CONTENTS

| | |
|---|----|
| Mudguards 01.11.2008=> | 63 |
| Fixation seat cover with mudguard | 41 |
| Siderest height adjustable 01.04.2008=> | 64 |
| Fixation seat cover with siderest | 42 |
| Tubular armrest | 65 |

FRONT WHEELS

| | |
|---|----|
| FRONT WHEELS | 66 |
| Front wheel supporter | 67 |
| Configuration table for front fork size | 69 |
| Front wheels | 70 |

REAR WHEELS

| | |
|--------------------------------|----|
| REAR WHEELS | 72 |
| 22" Kuschall wheels complete | 73 |
| 24" Kuschall wheels complete | 75 |
| 26" Kuschall wheels complete | 78 |
| High Performance wheel | 81 |
| Mountainbike wheel | 83 |
| Spider wheel | 84 |
| Spinergy wheel | 85 |
| Spinergy LXX wheel | 86 |
| Ultra-light fibre wheel | 87 |
| Handrim | 88 |
| Fixation handrim | 90 |
| Tyre | 91 |
| Inner tube and rim protector | 92 |
| Spokes guard | 93 |
| Quick release axle and bearing | 94 |

BRAKES

| | |
|--------|----|
| BRAKES | 96 |
| Brakes | 97 |

SEAT ACCESSORIES

| | |
|------------------|----|
| SEAT ACCESSORIES | 98 |
| Seat bag | 99 |

OPTIONS & ACCESSORIES

| | |
|------------------------|-----|
| OPTIONS & ACCESSORIES | 100 |
| Transit wheel | 101 |
| Antitipper | 102 |
| Tipper aid | 103 |
| Cane holder | 104 |
| Luggage holder | 105 |
| Transport bag | 106 |
| Chair accessories | 107 |
| Winter accessories | 108 |
| Fixation: screws, ... | 109 |
| Socket head cap screws | 110 |

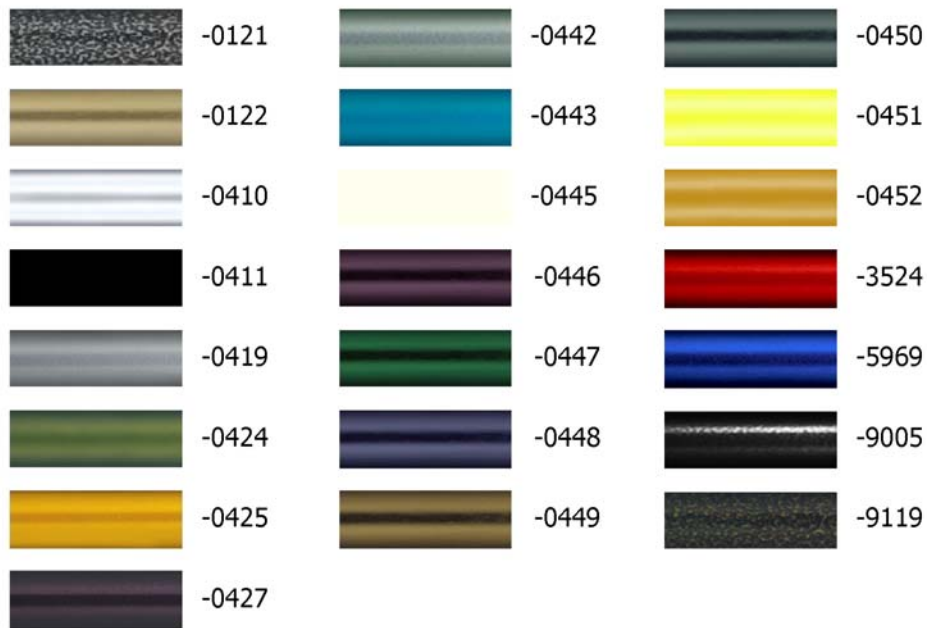


Yes, you can.[®]

TABLE OF CONTENTS

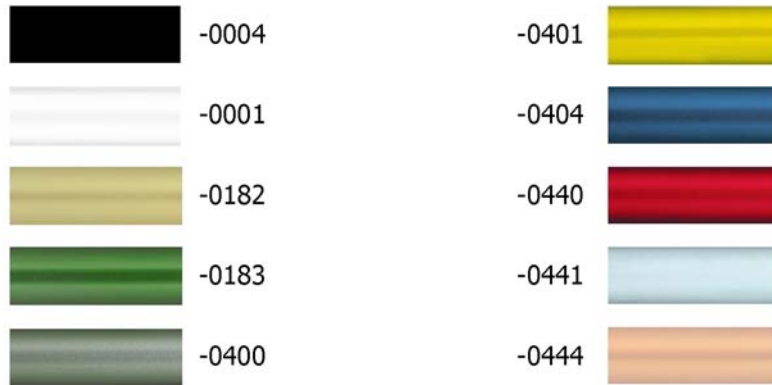
| | |
|----------------------------------|-----|
| Countersunk screws | 113 |
| Button head screws | 115 |
| Hex-head screws, diverse, | 117 |
| Washers | 119 |
| Nuts | 121 |
| Pins, rivets, | 123 |

Frame colours

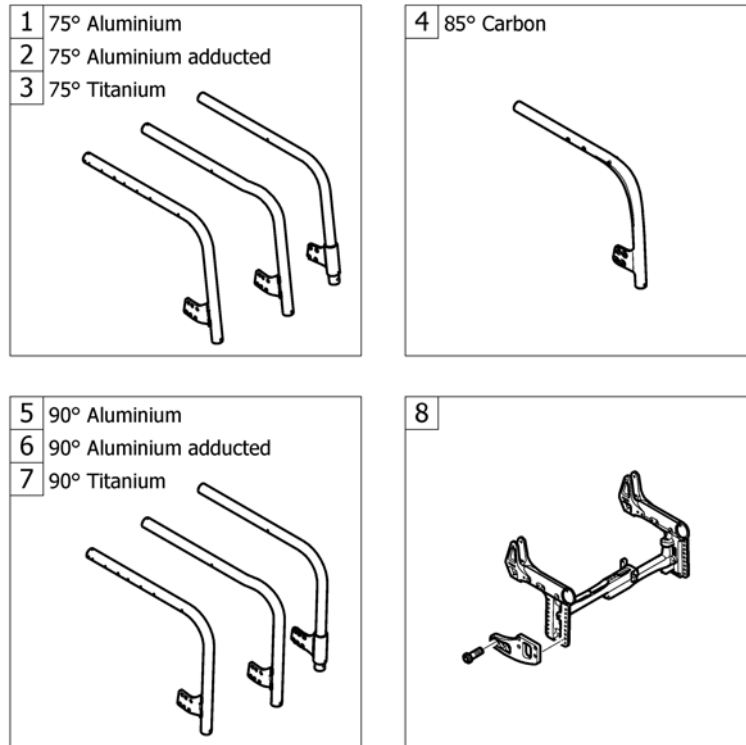


| Pos. | Part number | Description | Valid from → until | Qty |
|-------|-------------|--|----------------------------|-----|
| -0121 | - | Color code for black-grey rustico frames | 2012-01-01 → | 0 |
| -0122 | - | Color code for golden beach frames | 2013-01-01 → | 0 |
| -0410 | - | Color code for polished frames | 2009-07-01 → | 0 |
| -0411 | - | Color code for black matt frames | 2010-07-01 → | 0 |
| -0419 | - | Color code for silver grey frames | | 0 |
| -0442 | - | Color code for night shimmer frames | 2009-01-01 → | 0 |
| -0445 | - | Color code for ivory white frames | 2010-07-01 → | 0 |
| -0446 | - | Color code for purple fire frames | 2010-01-01 → | 0 |
| -0447 | - | Color code for emerald green frames | 2010-01-01 → 2012-12-31 | 0 |
| -0448 | - | Color code for midnight blue frames | 2010-01-01 → 2012-12-31 | 0 |
| -0449 | - | Color code for umber glaze frames | 2010-01-01 → | 0 |
| -0450 | - | Color code for smokey grey frames | 2010-01-01 → | 0 |
| -0451 | - | Color code for flashy yellow frames | 2011-01-01 → | 0 |
| -0452 | - | Color code for terra magic frames | 2011-01-01 → 2011-06-30 | 0 |
| -3524 | - | Color code for royal red frames | | 0 |
| -5969 | - | Color code for royal blue frames | | 0 |
| -9005 | - | Color code for glossy black frames | | 0 |

CPS colours



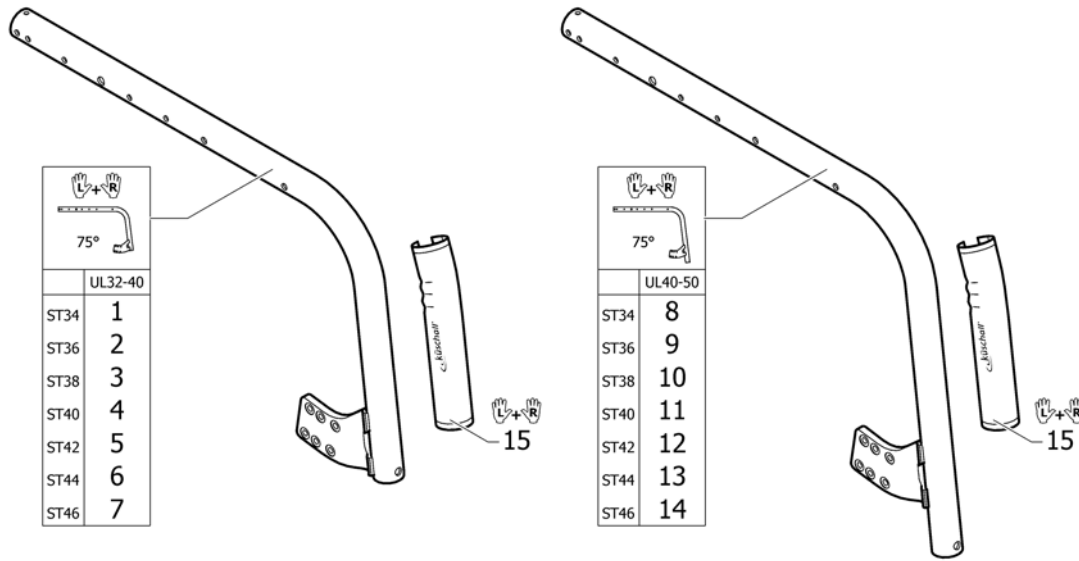
| Pos. | Part number | Description | Valid from → until | Qty |
|-------|-------------|-------------------------------------|----------------------------|-----|
| -0004 | - | Color code for black anodized CPS | | 0 |
| -0001 | - | Color code for chrome CPS | 2011-07-01 → | 0 |
| -0182 | - | Color code for champagne CPS | 2013-01-01 → | 0 |
| -0183 | - | Color code for olive CPS | 2013-01-01 → | 0 |
| -0400 | - | Color code for techno-anthrazit CPS | | 0 |
| -0401 | - | Color code for lemon CPS | 2007-10-01 → 2012-12-31 | 0 |
| -0404 | - | Color code for b-blue CPS | | 0 |
| -0440 | - | Color code for comet red CPS | | 0 |
| -0441 | - | Color code for arctic blue CPS | 2010-01-01 → | 0 |
| -0444 | - | Color code for copper glaze CPS | | 0 |

CHASSIS

| Pos. | Part number | Description | Valid from → until | Qty |
|------|-------------|------------------------------|--------------------|-----|
| 1 | - | Frame Aluminium 75° standard | | 1 |
| 2 | - | Frame Aluminium 75° adducted | | 1 |
| 3 | - | Frame Titanium 75° standard | | 1 |
| 4 | - | Frame Carbon 85° | | 1 |
| 5 | - | Frame Aluminium 90° standard | | 1 |
| 6 | - | Frame Aluminium 90° adducted | | 1 |
| 7 | - | Frame Titanium 90° standard | | 1 |
| 8 | - | Folding unit | | 1 |

Frame Aluminium 75° standard

Aluminium 75° Std.



| Pos. | Part number | Description | Valid from → until | Qty |
|------|--------------|--|----------------------------|-----|
| 1 | 1511553-0121 | Frame 75° UL32-40 ST34, pair, black-grey rustico | 2012-01-01 → | 1 |
| 1 | 1511553-0122 | Frame 75° UL32-40 ST34, pair, golden beach | 2013-01-01 → | 1 |
| 1 | 1511553-0410 | Frame 75° UL32-40 ST34, pair, polished | 2009-07-01 → | 1 |
| 1 | 1511553-0411 | Frame 75° UL32-40 ST34, pair, black matt | 2010-07-01 → | 1 |
| 1 | 1511553-0419 | Frame 75° UL32-40 ST34, pair, silver grey | | 1 |
| 1 | 1511553-0442 | Frame 75° UL32-40 ST34, pair, night shimmer | 2009-01-01 → | 1 |
| 1 | 1511553-0445 | Frame 75° UL32-40 ST34, pair, ivory white | 2010-07-01 → | 1 |
| 1 | 1511553-0446 | Frame 75° UL32-40 ST34, pair, purple fire | 2010-01-01 → | 1 |
| 1 | 1511553-0447 | Frame 75° UL32-40 ST34, pair, emerald green | 2010-01-01 → 2012-12-31 | 1 |
| 1 | 1511553-0448 | Frame 75° UL32-40 ST34, pair, midnight blue | 2010-01-01 → 2012-12-31 | 1 |
| 1 | 1511553-0449 | Frame 75° UL32-40 ST34, pair, umber glaze | 2010-01-01 → | 1 |
| 1 | 1511553-0450 | Frame 75° UL32-40 ST34, pair, smokey grey | 2010-01-01 → | 1 |
| 1 | 1511553-0451 | Frame 75° UL32-40 ST34, pair, flashy yellow | 2011-01-01 → | 1 |
| 1 | 1511553-0452 | Frame 75° UL32-40 ST34, pair, terra magic | 2011-01-01 → 2011-06-30 | 1 |
| 1 | 1511553-3524 | Frame 75° UL32-40 ST34, pair, royal red | | 1 |
| 1 | 1511553-5969 | Frame 75° UL32-40 ST34, pair, royal blue | | 1 |
| 1 | 1511553-9005 | Frame 75° UL32-40 ST34, pair, black glossy | | 1 |
| 2 | 1511557-0121 | Frame 75° UL32-40 ST36, pair, black-grey rustico | 2012-01-01 → | 1 |
| 2 | 1511557-0122 | Frame 75° UL32-40 ST36, pair, golden beach | 2013-01-01 → | 1 |
| 2 | 1511557-0410 | Frame 75° UL32-40 ST36, pair, polished | 2009-07-01 → | 1 |
| 2 | 1511557-0411 | Frame 75° UL32-40 ST36, pair, black matt | 2010-07-01 → | 1 |
| 2 | 1511557-0419 | Frame 75° UL32-40 ST36, pair, silver grey | | 1 |
| 2 | 1511557-0442 | Frame 75° UL32-40 ST36, pair, night shimmer | 2009-01-01 → | 1 |
| 2 | 1511557-0445 | Frame 75° UL32-40 ST36, pair, ivory white | 2010-07-01 → | 1 |
| 2 | 1511557-0446 | Frame 75° UL32-40 ST36, pair, purple fire | 2010-01-01 → | 1 |
| 2 | 1511557-0447 | Frame 75° UL32-40 ST36, pair, emerald green | 2010-01-01 → 2012-12-31 | 1 |
| 2 | 1511557-0448 | Frame 75° UL32-40 ST36, pair, midnight blue | 2010-01-01 → 2012-12-31 | 1 |
| 2 | 1511557-0449 | Frame 75° UL32-40 ST36, pair, umber glaze | 2010-01-01 → | 1 |

| Pos. | Part number | Description | Valid from → until | Qty |
|------|--------------|--|----------------------------|-----|
| 2 | 1511557-0450 | Frame 75° UL32-40 ST36, pair, smokey grey | 2010-01-01 → | 1 |
| 2 | 1511557-0451 | Frame 75° UL32-40 ST36, pair, flashy yellow | 2011-01-01 → | 1 |
| 2 | 1511557-0452 | Frame 75° UL32-40 ST36, pair, terra magic | 2011-01-01 → 2011-06-30 | 1 |
| 2 | 1511557-3524 | Frame 75° UL32-40 ST36, pair, royal red | | 1 |
| 2 | 1511557-5969 | Frame 75° UL32-40 ST36, pair, royal blue | | 1 |
| 2 | 1511557-9005 | Frame 75° UL32-40 ST36, pair, black glossy | | 1 |
| 3 | 1511561-0121 | Frame 75° UL32-40 ST38, pair, black-grey rustico | 2012-01-01 → | 1 |
| 3 | 1511561-0122 | Frame 75° UL32-40 ST38, pair, golden beach | 2013-01-01 → | 1 |
| 3 | 1511561-0410 | Frame 75° UL32-40 ST38, pair, polished | 2009-07-01 → | 1 |
| 3 | 1511561-0411 | Frame 75° UL32-40 ST38, pair, black matt | 2010-07-01 → | 1 |
| 3 | 1511561-0419 | Frame 75° UL32-40 ST38, pair, silver grey | | 1 |
| 3 | 1511561-0442 | Frame 75° UL32-40 ST38, pair, night shimmer | 2009-01-01 → | 1 |
| 3 | 1511561-0445 | Frame 75° UL32-40 ST38, pair, ivory white | 2010-07-01 → | 1 |
| 3 | 1511561-0446 | Frame 75° UL32-40 ST38, pair, purple fire | 2010-01-01 → | 1 |
| 3 | 1511561-0447 | Frame 75° UL32-40 ST38, pair, emerald green | 2010-01-01 → 2012-12-31 | 1 |
| 3 | 1511561-0448 | Frame 75° UL32-40 ST38, pair, midnight blue | 2010-01-01 → 2012-12-31 | 1 |
| 3 | 1511561-0449 | Frame 75° UL32-40 ST38, pair, umber glaze | 2010-01-01 → | 1 |
| 3 | 1511561-0450 | Frame 75° UL32-40 ST38, pair, smokey grey | 2010-01-01 → | 1 |
| 3 | 1511561-0451 | Frame 75° UL32-40 ST38, pair, flashy yellow | 2011-01-01 → | 1 |
| 3 | 1511561-0452 | Frame 75° UL32-40 ST38, pair, terra magic | 2011-01-01 → 2011-06-30 | 1 |
| 3 | 1511561-3524 | Frame 75° UL32-40 ST38, pair, royal red | | 1 |
| 3 | 1511561-5969 | Frame 75° UL32-40 ST38, pair, royal blue | | 1 |
| 3 | 1511561-9005 | Frame 75° UL32-40 ST38, pair, black glossy | | 1 |
| 4 | 1511565-0121 | Frame 75° UL32-40 ST40, pair, black-grey rustico | 2012-01-01 → | 1 |
| 4 | 1511565-0122 | Frame 75° UL32-40 ST40, pair, golden beach | 2013-01-01 → | 1 |
| 4 | 1511565-0410 | Frame 75° UL32-40 ST40, pair, polished | 2009-07-01 → | 1 |
| 4 | 1511565-0411 | Frame 75° UL32-40 ST40, pair, black matt | 2010-07-01 → | 1 |
| 4 | 1511565-0419 | Frame 75° UL32-40 ST40, pair, silver grey | | 1 |
| 4 | 1511565-0442 | Frame 75° UL32-40 ST40, pair, night shimmer | 2009-01-01 → | 1 |
| 4 | 1511565-0445 | Frame 75° UL32-40 ST40, pair, ivory white | 2010-07-01 → | 1 |
| 4 | 1511565-0446 | Frame 75° UL32-40 ST40, pair, purple fire | 2010-01-01 → | 1 |
| 4 | 1511565-0447 | Frame 75° UL32-40 ST40, pair, emerald green | 2010-01-01 → 2012-12-31 | 1 |
| 4 | 1511565-0448 | Frame 75° UL32-40 ST40, pair, midnight blue | 2010-01-01 → 2012-12-31 | 1 |
| 4 | 1511565-0449 | Frame 75° UL32-40 ST40, pair, umber glaze | 2010-01-01 → | 1 |
| 4 | 1511565-0450 | Frame 75° UL32-40 ST40, pair, smokey grey | 2010-01-01 → | 1 |
| 4 | 1511565-0451 | Frame 75° UL32-40 ST40, pair, flashy yellow | 2011-01-01 → | 1 |
| 4 | 1511565-0452 | Frame 75° UL32-40 ST40, pair, terra magic | 2011-01-01 → 2011-06-30 | 1 |
| 4 | 1511565-3524 | Frame 75° UL32-40 ST40, pair, royal red | | 1 |
| 4 | 1511565-5969 | Frame 75° UL32-40 ST40, pair, royal blue | | 1 |
| 4 | 1511565-9005 | Frame 75° UL32-40 ST40, pair, black glossy | | 1 |
| 5 | 1511569-0121 | Frame 75° UL32-40 ST42, pair, black-grey rustico | 2012-01-01 → | 1 |
| 5 | 1511569-0122 | Frame 75° UL32-40 ST42, pair, golden beach | 2013-01-01 → | 1 |
| 5 | 1511569-0410 | Frame 75° UL32-40 ST42, pair, polished | 2009-07-01 → | 1 |
| 5 | 1511569-0411 | Frame 75° UL32-40 ST42, pair, black matt | 2010-07-01 → | 1 |
| 5 | 1511569-0419 | Frame 75° UL32-40 ST42, pair, silver grey | | 1 |
| 5 | 1511569-0442 | Frame 75° UL32-40 ST42, pair, night shimmer | 2009-01-01 → | 1 |
| 5 | 1511569-0445 | Frame 75° UL32-40 ST42, pair, ivory white | 2010-07-01 → | 1 |
| 5 | 1511569-0446 | Frame 75° UL32-40 ST42, pair, purple fire | 2010-01-01 → | 1 |
| 5 | 1511569-0447 | Frame 75° UL32-40 ST42, pair, emerald green | 2010-01-01 → 2012-12-31 | 1 |

Frame Aluminium 75° standard

| Pos. | Part number | Description | Valid from → until | Qty |
|------|--------------|--|----------------------------|-----|
| 5 | 1511569-0448 | Frame 75° UL32-40 ST42, pair, midnight blue | 2010-01-01 → 2012-12-31 | 1 |
| 5 | 1511569-0449 | Frame 75° UL32-40 ST42, pair, umber glaze | 2010-01-01 → | 1 |
| 5 | 1511569-0450 | Frame 75° UL32-40 ST42, pair, smokey grey | 2010-01-01 → | 1 |
| 5 | 1511569-0451 | Frame 75° UL32-40 ST42, pair, flashy yellow | 2011-01-01 → | 1 |
| 5 | 1511569-0452 | Frame 75° UL32-40 ST42, pair, terra magic | 2011-01-01 → 2011-06-30 | 1 |
| 5 | 1511569-3524 | Frame 75° UL32-40 ST42, pair, royal red | | 1 |
| 5 | 1511569-5969 | Frame 75° UL32-40 ST42, pair, royal blue | | 1 |
| 5 | 1511569-9005 | Frame 75° UL32-40 ST42, pair, black glossy | | 1 |
| 6 | 1511573-0121 | Frame 75° UL32-40 ST44, pair, black-grey rustico | 2012-01-01 → | 1 |
| 6 | 1511573-0122 | Frame 75° UL32-40 ST44, pair, golden beach | 2013-01-01 → | 1 |
| 6 | 1511573-0410 | Frame 75° UL32-40 ST44, pair, polished | 2009-07-01 → | 1 |
| 6 | 1511573-0411 | Frame 75° UL32-40 ST44, pair, black matt | 2010-07-01 → | 1 |
| 6 | 1511573-0419 | Frame 75° UL32-40 ST44, pair, silver grey | | 1 |
| 6 | 1511573-0442 | Frame 75° UL32-40 ST44, pair, night shimmer | 2009-01-01 → | 1 |
| 6 | 1511573-0445 | Frame 75° UL32-40 ST44, pair, ivory white | 2010-07-01 → | 1 |
| 6 | 1511573-0446 | Frame 75° UL32-40 ST44, pair, purple fire | 2010-01-01 → | 1 |
| 6 | 1511573-0447 | Frame 75° UL32-40 ST44, pair, emerald green | 2010-01-01 → 2012-12-31 | 1 |
| 6 | 1511573-0448 | Frame 75° UL32-40 ST44, pair, midnight blue | 2010-01-01 → 2012-12-31 | 1 |
| 6 | 1511573-0449 | Frame 75° UL32-40 ST44, pair, umber glaze | 2010-01-01 → | 1 |
| 6 | 1511573-0450 | Frame 75° UL32-40 ST44, pair, smokey grey | 2010-01-01 → | 1 |
| 6 | 1511573-0451 | Frame 75° UL32-40 ST44, pair, flashy yellow | 2011-01-01 → | 1 |
| 6 | 1511573-0452 | Frame 75° UL32-40 ST44, pair, terra magic | 2011-01-01 → 2011-06-30 | 1 |
| 6 | 1511573-3524 | Frame 75° UL32-40 ST44, pair, royal red | | 1 |
| 6 | 1511573-5969 | Frame 75° UL32-40 ST44, pair, royal blue | | 1 |
| 6 | 1511573-9005 | Frame 75° UL32-40 ST44, pair, black glossy | | 1 |
| 7 | 1511599-0121 | Frame 75° UL32-40 ST46, pair, black-grey rustico | 2012-01-01 → | 1 |
| 7 | 1511599-0122 | Frame 75° UL32-40 ST46, pair, golden beach | 2013-01-01 → | 1 |
| 7 | 1511599-0410 | Frame 75° UL32-40 ST46, pair, polished | 2009-07-01 → | 1 |
| 7 | 1511599-0411 | Frame 75° UL32-40 ST46, pair, black matt | 2010-07-01 → | 1 |
| 7 | 1511599-0419 | Frame 75° UL32-40 ST46, pair, silver grey | | 1 |
| 7 | 1511599-0442 | Frame 75° UL32-40 ST46, pair, night shimmer | 2009-01-01 → | 1 |
| 7 | 1511599-0445 | Frame 75° UL32-40 ST46, pair, ivory white | 2010-07-01 → | 1 |
| 7 | 1511599-0446 | Frame 75° UL32-40 ST46, pair, purple fire | 2010-01-01 → | 1 |
| 7 | 1511599-0447 | Frame 75° UL32-40 ST46, pair, emerald green | 2010-01-01 → 2012-12-31 | 1 |
| 7 | 1511599-0448 | Frame 75° UL32-40 ST46, pair, midnight blue | 2010-01-01 → 2012-12-31 | 1 |
| 7 | 1511599-0449 | Frame 75° UL32-40 ST46, pair, umber glaze | 2010-01-01 → | 1 |
| 7 | 1511599-0450 | Frame 75° UL32-40 ST46, pair, smokey grey | 2010-01-01 → | 1 |
| 7 | 1511599-0451 | Frame 75° UL32-40 ST46, pair, flashy yellow | 2011-01-01 → | 1 |
| 7 | 1511599-0452 | Frame 75° UL32-40 ST46, pair, terra magic | 2011-01-01 → 2011-06-30 | 1 |
| 7 | 1511599-3524 | Frame 75° UL32-40 ST46, pair, royal red | | 1 |
| 7 | 1511599-5969 | Frame 75° UL32-40 ST46, pair, royal blue | | 1 |
| 7 | 1511599-9005 | Frame 75° UL32-40 ST46, pair, black glossy | | 1 |
| 8 | 1511551-0121 | Frame 75° UL40-50 ST34, pair, black-grey rustico | 2012-01-01 → | 1 |
| 8 | 1511551-0122 | Frame 75° UL40-50 ST34, pair, golden beach | 2013-01-01 → | 1 |
| 8 | 1511551-0410 | Frame 75° UL40-50 ST34, pair, polished | 2009-07-01 → | 1 |
| 8 | 1511551-0411 | Frame 75° UL40-50 ST34, pair, black matt | 2010-07-01 → | 1 |
| 8 | 1511551-0419 | Frame 75° UL40-50 ST34, pair, silver grey | | 1 |
| 8 | 1511551-0442 | Frame 75° UL40-50 ST34, pair, night shimmer | 2009-01-01 → | 1 |
| 8 | 1511551-0445 | Frame 75° UL40-50 ST34, pair, ivory white | 2010-07-01 → | 1 |

| Pos. | Part number | Description | Valid from → until | Qty |
|------|--------------|--|----------------------------|-----|
| 8 | 1511551-0446 | Frame 75° UL40-50 ST34, pair, purple fire | 2010-01-01 → | 1 |
| 8 | 1511551-0447 | Frame 75° UL40-50 ST34, pair, emerald green | 2010-01-01 → 2012-12-31 | 1 |
| 8 | 1511551-0448 | Frame 75° UL40-50 ST34, pair, midnight blue | 2010-01-01 → 2012-12-31 | 1 |
| 8 | 1511551-0449 | Frame 75° UL40-50 ST34, pair, umber glaze | 2010-01-01 → | 1 |
| 8 | 1511551-0450 | Frame 75° UL40-50 ST34, pair, smokey grey | 2010-01-01 → | 1 |
| 8 | 1511551-0451 | Frame 75° UL40-50 ST34, pair, flashy yellow | 2011-01-01 → | 1 |
| 8 | 1511551-0452 | Frame 75° UL40-50 ST34, pair, terra magic | 2011-01-01 → 2011-06-30 | 1 |
| 8 | 1511551-3524 | Frame 75° UL40-50 ST34, pair, royal red | | 1 |
| 8 | 1511551-5969 | Frame 75° UL40-50 ST34, pair, royal blue | | 1 |
| 8 | 1511551-9005 | Frame 75° UL40-50 ST34, pair, black glossy | | 1 |
| 9 | 1511555-0121 | Frame 75° UL40-50 ST36, pair, black-grey rustico | 2012-01-01 → | 1 |
| 9 | 1511555-0122 | Frame 75° UL40-50 ST36, pair, golden beach | 2013-01-01 → | 1 |
| 9 | 1511555-0410 | Frame 75° UL40-50 ST36, pair, polished | 2009-07-01 → | 1 |
| 9 | 1511555-0411 | Frame 75° UL40-50 ST36, pair, black matt | 2010-07-01 → | 1 |
| 9 | 1511555-0419 | Frame 75° UL40-50 ST36, pair, silver grey | | 1 |
| 9 | 1511555-0442 | Frame 75° UL40-50 ST36, pair, night shimmer | 2009-01-01 → | 1 |
| 9 | 1511555-0445 | Frame 75° UL40-50 ST36, pair, ivory white | 2010-07-01 → | 1 |
| 9 | 1511555-0446 | Frame 75° UL40-50 ST36, pair, purple fire | 2010-01-01 → | 1 |
| 9 | 1511555-0447 | Frame 75° UL40-50 ST36, pair, emerald green | 2010-01-01 → 2012-12-31 | 1 |
| 9 | 1511555-0448 | Frame 75° UL40-50 ST36, pair, midnight blue | 2010-01-01 → 2012-12-31 | 1 |
| 9 | 1511555-0449 | Frame 75° UL40-50 ST36, pair, umber glaze | 2010-01-01 → | 1 |
| 9 | 1511555-0450 | Frame 75° UL40-50 ST36, pair, smokey grey | 2010-01-01 → | 1 |
| 9 | 1511555-0451 | Frame 75° UL40-50 ST36, pair, flashy yellow | 2011-01-01 → | 1 |
| 9 | 1511555-0452 | Frame 75° UL40-50 ST36, pair, terra magic | 2011-01-01 → 2011-06-30 | 1 |
| 9 | 1511555-3524 | Frame 75° UL40-50 ST36, pair, royal red | | 1 |
| 9 | 1511555-5969 | Frame 75° UL40-50 ST36, pair, royal blue | | 1 |
| 9 | 1511555-9005 | Frame 75° UL40-50 ST36, pair, black glossy | | 1 |
| 10 | 1511559-0121 | Frame 75° UL40-50 ST38, pair, black-grey rustico | 2012-01-01 → | 1 |
| 10 | 1511559-0122 | Frame 75° UL40-50 ST38, pair, golden beach | 2013-01-01 → | 1 |
| 10 | 1511559-0410 | Frame 75° UL40-50 ST38, pair, polished | 2009-07-01 → | 1 |
| 10 | 1511559-0411 | Frame 75° UL40-50 ST38, pair, black matt | 2010-07-01 → | 1 |
| 10 | 1511559-0419 | Frame 75° UL40-50 ST38, pair, silver grey | | 1 |
| 10 | 1511559-0442 | Frame 75° UL40-50 ST38, pair, night shimmer | 2009-01-01 → | 1 |
| 10 | 1511559-0445 | Frame 75° UL40-50 ST38, pair, ivory white | 2010-07-01 → | 1 |
| 10 | 1511559-0446 | Frame 75° UL40-50 ST38, pair, purple fire | 2010-01-01 → | 1 |
| 10 | 1511559-0447 | Frame 75° UL40-50 ST38, pair, emerald green | 2010-01-01 → 2012-12-31 | 1 |
| 10 | 1511559-0448 | Frame 75° UL40-50 ST38, pair, midnight blue | 2010-01-01 → 2012-12-31 | 1 |
| 10 | 1511559-0449 | Frame 75° UL40-50 ST38, pair, umber glaze | 2010-01-01 → | 1 |
| 10 | 1511559-0450 | Frame 75° UL40-50 ST38, pair, smokey grey | 2010-01-01 → | 1 |
| 10 | 1511559-0451 | Frame 75° UL40-50 ST38, pair, flashy yellow | 2011-01-01 → | 1 |
| 10 | 1511559-0452 | Frame 75° UL40-50 ST38, pair, terra magic | 2011-01-01 → 2011-06-30 | 1 |
| 10 | 1511559-3524 | Frame 75° UL40-50 ST38, pair, royal red | | 1 |
| 10 | 1511559-5969 | Frame 75° UL40-50 ST38, pair, royal blue | | 1 |
| 10 | 1511559-9005 | Frame 75° UL40-50 ST38, pair, black glossy | | 1 |
| 11 | 1511563-0121 | Frame 75° UL40-50 ST40, pair, black-grey rustico | 2012-01-01 → | 1 |
| 11 | 1511563-0122 | Frame 75° UL40-50 ST40, pair, golden beach | 2013-01-01 → | 1 |
| 11 | 1511563-0410 | Frame 75° UL40-50 ST40, pair, polished | 2009-07-01 → | 1 |
| 11 | 1511563-0411 | Frame 75° UL40-50 ST40, pair, black matt | 2010-07-01 → | 1 |
| 11 | 1511563-0419 | Frame 75° UL40-50 ST40, pair, silver grey | | 1 |

Frame Aluminium 75° standard

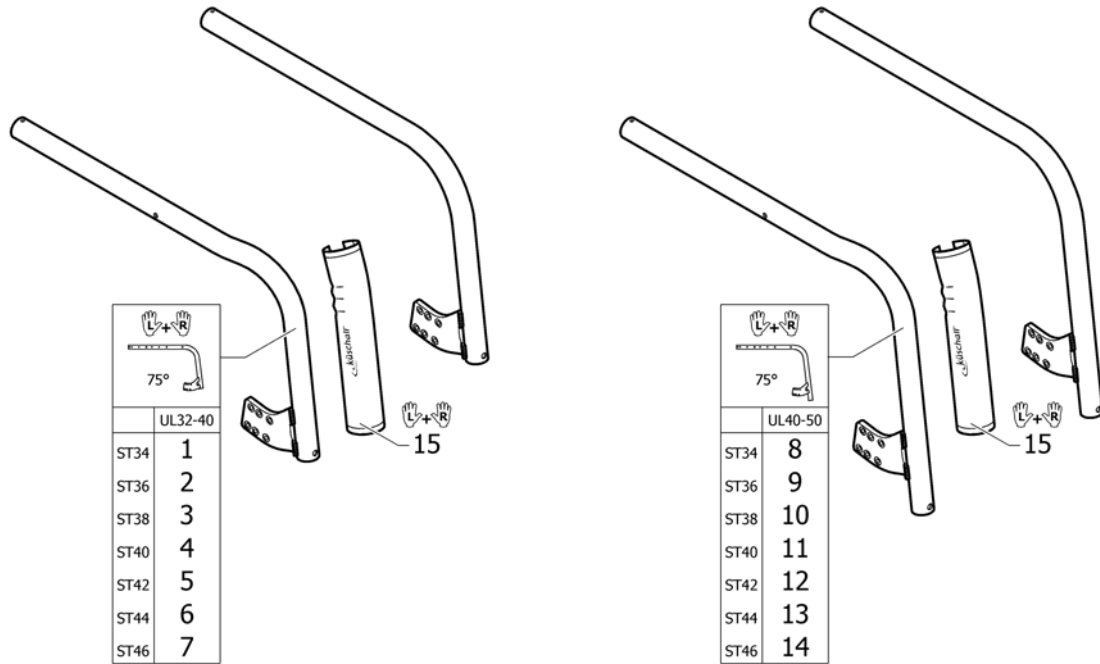
| Pos. | Part number | Description | Valid from → until | Qty |
|------|--------------|--|----------------------------|-----|
| 11 | 1511563-0442 | Frame 75° UL40-50 ST40, pair, night shimmer | 2009-01-01 → | 1 |
| 11 | 1511563-0445 | Frame 75° UL40-50 ST40, pair, ivory white | 2010-07-01 → | 1 |
| 11 | 1511563-0446 | Frame 75° UL40-50 ST40, pair, purple fire | 2010-01-01 → | 1 |
| 11 | 1511563-0447 | Frame 75° UL40-50 ST40, pair, emerald green | 2010-01-01 → 2012-12-31 | 1 |
| 11 | 1511563-0448 | Frame 75° UL40-50 ST40, pair, midnight blue | 2010-01-01 → 2012-12-31 | 1 |
| 11 | 1511563-0449 | Frame 75° UL40-50 ST40, pair, umber glaze | 2010-01-01 → | 1 |
| 11 | 1511563-0450 | Frame 75° UL40-50 ST40, pair, smokey grey | 2010-01-01 → | 1 |
| 11 | 1511563-0451 | Frame 75° UL40-50 ST40, pair, flashy yellow | 2011-01-01 → | 1 |
| 11 | 1511563-0452 | Frame 75° UL40-50 ST40, pair, terra magic | 2011-01-01 → 2011-06-30 | 1 |
| 11 | 1511563-3524 | Frame 75° UL40-50 ST40, pair, royal red | | 1 |
| 11 | 1511563-5969 | Frame 75° UL40-50 ST40, pair, royal blue | | 1 |
| 11 | 1511563-9005 | Frame 75° UL40-50 ST40, pair, black glossy | | 1 |
| 12 | 1511567-0121 | Frame 75° UL40-50 ST42, pair, black-grey rustico | 2012-01-01 → | 1 |
| 12 | 1511567-0122 | Frame 75° UL40-50 ST42, pair, golden beach | 2013-01-01 → | 1 |
| 12 | 1511567-0410 | Frame 75° UL40-50 ST42, pair, polished | 2009-07-01 → | 1 |
| 12 | 1511567-0411 | Frame 75° UL40-50 ST42, pair, black matt | 2010-07-01 → | 1 |
| 12 | 1511567-0419 | Frame 75° UL40-50 ST42, pair, silver grey | | 1 |
| 12 | 1511567-0442 | Frame 75° UL40-50 ST42, pair, night shimmer | 2009-01-01 → | 1 |
| 12 | 1511567-0445 | Frame 75° UL40-50 ST42, pair, ivory white | 2010-07-01 → | 1 |
| 12 | 1511567-0446 | Frame 75° UL40-50 ST42, pair, purple fire | 2010-01-01 → | 1 |
| 12 | 1511567-0447 | Frame 75° UL40-50 ST42, pair, emerald green | 2010-01-01 → 2012-12-31 | 1 |
| 12 | 1511567-0448 | Frame 75° UL40-50 ST42, pair, midnight blue | 2010-01-01 → 2012-12-31 | 1 |
| 12 | 1511567-0449 | Frame 75° UL40-50 ST42, pair, umber glaze | 2010-01-01 → | 1 |
| 12 | 1511567-0450 | Frame 75° UL40-50 ST42, pair, smokey grey | 2010-01-01 → | 1 |
| 12 | 1511567-0451 | Frame 75° UL40-50 ST42, pair, flashy yellow | 2011-01-01 → | 1 |
| 12 | 1511567-0452 | Frame 75° UL40-50 ST42, pair, terra magic | 2011-01-01 → 2011-06-30 | 1 |
| 12 | 1511567-3524 | Frame 75° UL40-50 ST42, pair, royal red | | 1 |
| 12 | 1511567-5969 | Frame 75° UL40-50 ST42, pair, royal blue | | 1 |
| 12 | 1511567-9005 | Frame 75° UL40-50 ST42, pair, black glossy | | 1 |
| 13 | 1511571-0121 | Frame 75° UL40-50 ST44, pair, black-grey rustico | 2012-01-01 → | 1 |
| 13 | 1511571-0122 | Frame 75° UL40-50 ST44, pair, golden beach | 2013-01-01 → | 1 |
| 13 | 1511571-0410 | Frame 75° UL40-50 ST44, pair, polished | 2009-07-01 → | 1 |
| 13 | 1511571-0411 | Frame 75° UL40-50 ST44, pair, black matt | 2010-07-01 → | 1 |
| 13 | 1511571-0419 | Frame 75° UL40-50 ST44, pair, silver grey | | 1 |
| 13 | 1511571-0442 | Frame 75° UL40-50 ST44, pair, night shimmer | 2009-01-01 → | 1 |
| 13 | 1511571-0445 | Frame 75° UL40-50 ST44, pair, ivory white | 2010-07-01 → | 1 |
| 13 | 1511571-0446 | Frame 75° UL40-50 ST44, pair, purple fire | 2010-01-01 → | 1 |
| 13 | 1511571-0447 | Frame 75° UL40-50 ST44, pair, emerald green | 2010-01-01 → 2012-12-31 | 1 |
| 13 | 1511571-0448 | Frame 75° UL40-50 ST44, pair, midnight blue | 2010-01-01 → 2012-12-31 | 1 |
| 13 | 1511571-0449 | Frame 75° UL40-50 ST44, pair, umber glaze | 2010-01-01 → | 1 |
| 13 | 1511571-0450 | Frame 75° UL40-50 ST44, pair, smokey grey | 2010-01-01 → | 1 |
| 13 | 1511571-0451 | Frame 75° UL40-50 ST44, pair, flashy yellow | 2011-01-01 → | 1 |
| 13 | 1511571-0452 | Frame 75° UL40-50 ST44, pair, terra magic | 2011-01-01 → 2011-06-30 | 1 |
| 13 | 1511571-3524 | Frame 75° UL40-50 ST44, pair, royal red | | 1 |
| 13 | 1511571-5969 | Frame 75° UL40-50 ST44, pair, royal blue | | 1 |
| 13 | 1511571-9005 | Frame 75° UL40-50 ST44, pair, black glossy | | 1 |
| 14 | 1511597-0121 | Frame 75° UL40-50 ST46, pair, black-grey rustico | 2012-01-01 → | 1 |
| 14 | 1511597-0122 | Frame 75° UL40-50 ST46, pair, golden beach | 2013-01-01 → | 1 |
| 14 | 1511597-0410 | Frame 75° UL40-50 ST46, pair, polished | 2009-07-01 → | 1 |

Küschall® Champion =>31/03/2015 | CHASSIS
Frame Aluminium 75° standard

| Pos. | Part number | Description | Valid from → until | Qty |
|------|--------------|---|----------------------------|-----|
| 14 | 1511597-0411 | Frame 75° UL40-50 ST46, pair, black matt | 2010-07-01 → | 1 |
| 14 | 1511597-0419 | Frame 75° UL40-50 ST46, pair, silver grey | | 1 |
| 14 | 1511597-0442 | Frame 75° UL40-50 ST46, pair, night shimmer | 2009-01-01 → | 1 |
| 14 | 1511597-0445 | Frame 75° UL40-50 ST46, pair, ivory white | 2010-07-01 → | 1 |
| 14 | 1511597-0446 | Frame 75° UL40-50 ST46, pair, purple fire | 2010-01-01 → | 1 |
| 14 | 1511597-0447 | Frame 75° UL40-50 ST46, pair, emerald green | 2010-01-01 → 2012-12-31 | 1 |
| 14 | 1511597-0448 | Frame 75° UL40-50 ST46, pair, midnight blue | 2010-01-01 → 2012-12-31 | 1 |
| 14 | 1511597-0449 | Frame 75° UL40-50 ST46, pair, umber glaze | 2010-01-01 → | 1 |
| 14 | 1511597-0450 | Frame 75° UL40-50 ST46, pair, smokey grey | 2010-01-01 → | 1 |
| 14 | 1511597-0451 | Frame 75° UL40-50 ST46, pair, flashy yellow | 2011-01-01 → | 1 |
| 14 | 1511597-0452 | Frame 75° UL40-50 ST46, pair, terra magic | 2011-01-01 → 2011-06-30 | 1 |
| 14 | 1511597-3524 | Frame 75° UL40-50 ST46, pair, royal red | | 1 |
| 14 | 1511597-5969 | Frame 75° UL40-50 ST46, pair, royal blue | | 1 |
| 14 | 1511597-9005 | Frame 75° UL40-50 ST46, pair, black glossy | | 1 |
| 15 | 1529372 | Front frame protectors, pair | 2009-07-01 → | 1 |

Frame Aluminium 75° adducted

Aluminium 75° Adducted



| Pos. | Part number | Description | Valid from → until | Qty |
|------|--------------|--|----------------------------|-----|
| 1 | 1558963-0121 | Frame 75° adducted, UL32-40 ST34, pair, black-grey rustico | 2012-01-01 → | 1 |
| 1 | 1558963-0122 | Frame 75° adducted, UL32-40 ST34, pair, golden beach | 2013-01-01 → | 1 |
| 1 | 1558963-0410 | Frame 75° adducted, UL32-40 ST34, pair, polished | | 1 |
| 1 | 1558963-0411 | Frame 75° adducted, UL32-40 ST34, pair, black matt | | 1 |
| 1 | 1558963-0419 | Frame 75° adducted, UL32-40 ST34, pair, silver grey | | 1 |
| 1 | 1558963-0442 | Frame 75° adducted, UL32-40 ST34, pair, night shimmer | | 1 |
| 1 | 1558963-0445 | Frame 75° adducted, UL32-40 ST34, pair, ivory white | | 1 |
| 1 | 1558963-0446 | Frame 75° adducted, UL32-40 ST34, pair, purple fire | | 1 |
| 1 | 1558963-0447 | Frame 75° adducted, UL32-40 ST34, pair, emerald green | 2011-12-01 → 2012-12-31 | 1 |
| 1 | 1558963-0448 | Frame 75° adducted, UL32-40 ST34, pair, midnight blue | 2011-12-01 → 2012-12-31 | 1 |
| 1 | 1558963-0449 | Frame 75° adducted, UL32-40 ST34, pair, umber glaze | | 1 |
| 1 | 1558963-0450 | Frame 75° adducted, UL32-40 ST34, pair, smokey grey | | 1 |
| 1 | 1558963-0451 | Frame 75° adducted, UL32-40 ST34, pair, flashy yellow | | 1 |
| 1 | 1558963-3524 | Frame 75° adducted, UL32-40 ST34, pair, royal red | | 1 |
| 1 | 1558963-5969 | Frame 75° adducted, UL32-40 ST34, pair, royal blue | | 1 |
| 1 | 1558963-9005 | Frame 75° adducted, UL32-40 ST34, pair, black glossy | | 1 |
| 2 | 1558964-0121 | Frame 75° adducted, UL32-40 ST36, pair, black-grey rustico | 2012-01-01 → | 1 |
| 2 | 1558964-0122 | Frame 75° adducted, UL32-40 ST36, pair, golden beach | 2013-01-01 → | 1 |
| 2 | 1558964-0410 | Frame 75° adducted, UL32-40 ST36, pair, polished | | 1 |
| 2 | 1558964-0411 | Frame 75° adducted, UL32-40 ST36, pair, black matt | | 1 |
| 2 | 1558964-0419 | Frame 75° adducted, UL32-40 ST36, pair, silver grey | | 1 |
| 2 | 1558964-0442 | Frame 75° adducted, UL32-40 ST36, pair, night shimmer | | 1 |
| 2 | 1558964-0445 | Frame 75° adducted, UL32-40 ST36, pair, ivory white | | 1 |
| 2 | 1558964-0446 | Frame 75° adducted, UL32-40 ST36, pair, purple fire | | 1 |
| 2 | 1558964-0447 | Frame 75° adducted, UL32-40 ST36, pair, emerald green | 2011-12-01 → 2012-12-31 | 1 |
| 2 | 1558964-0448 | Frame 75° adducted, UL32-40 ST36, pair, midnight blue | 2011-12-01 → 2012-12-31 | 1 |
| 2 | 1558964-0449 | Frame 75° adducted, UL32-40 ST36, pair, umber glaze | | 1 |
| 2 | 1558964-0450 | Frame 75° adducted, UL32-40 ST36, pair, smokey grey | | 1 |

Frame Aluminium 75° adducted

| Pos. | Part number | Description | Valid from → until | Qty |
|------|--------------|--|----------------------------|-----|
| 2 | 1558964-0451 | Frame 75° adducted, UL32-40 ST36, pair, flashy yellow | | 1 |
| 2 | 1558964-3524 | Frame 75° adducted, UL32-40 ST36, pair, royal red | | 1 |
| 2 | 1558964-5969 | Frame 75° adducted, UL32-40 ST36, pair, royal blue | | 1 |
| 2 | 1558964-9005 | Frame 75° adducted, UL32-40 ST36, pair, black glossy | | 1 |
| 3 | 1558965-0121 | Frame 75° adducted, UL32-40 ST38, pair, black-grey rustico | 2012-01-01 → | 1 |
| 3 | 1558965-0122 | Frame 75° adducted, UL32-40 ST38, pair, golden beach | 2013-01-01 → | 1 |
| 3 | 1558965-0410 | Frame 75° adducted, UL32-40 ST38, pair, polished | | 1 |
| 3 | 1558965-0411 | Frame 75° adducted, UL32-40 ST38, pair, black matt | | 1 |
| 3 | 1558965-0419 | Frame 75° adducted, UL32-40 ST38, pair, silver grey | | 1 |
| 3 | 1558965-0442 | Frame 75° adducted, UL32-40 ST38, pair, night shimmer | | 1 |
| 3 | 1558965-0445 | Frame 75° adducted, UL32-40 ST38, pair, ivory white | | 1 |
| 3 | 1558965-0446 | Frame 75° adducted, UL32-40 ST38, pair, purple fire | | 1 |
| 3 | 1558965-0447 | Frame 75° adducted, UL32-40 ST38, pair, emerald green | 2011-12-01 → 2012-12-31 | 1 |
| 3 | 1558965-0448 | Frame 75° adducted, UL32-40 ST38, pair, midnight blue | 2011-12-01 → 2012-12-31 | 1 |
| 3 | 1558965-0449 | Frame 75° adducted, UL32-40 ST38, pair, umber glaze | | 1 |
| 3 | 1558965-0450 | Frame 75° adducted, UL32-40 ST38, pair, smokey grey | | 1 |
| 3 | 1558965-0451 | Frame 75° adducted, UL32-40 ST38, pair, flashy yellow | | 1 |
| 3 | 1558965-3524 | Frame 75° adducted, UL32-40 ST38, pair, royal red | | 1 |
| 3 | 1558965-5969 | Frame 75° adducted, UL32-40 ST38, pair, royal blue | | 1 |
| 3 | 1558965-9005 | Frame 75° adducted, UL32-40 ST38, pair, black glossy | | 1 |
| 4 | 1558966-0121 | Frame 75° adducted, UL32-40 ST40, pair, black-grey rustico | 2012-01-01 → | 1 |
| 4 | 1558966-0122 | Frame 75° adducted, UL32-40 ST40, pair, golden beach | 2013-01-01 → | 1 |
| 4 | 1558966-0410 | Frame 75° adducted, UL32-40 ST40, pair, polished | | 1 |
| 4 | 1558966-0411 | Frame 75° adducted, UL32-40 ST40, pair, black matt | | 1 |
| 4 | 1558966-0419 | Frame 75° adducted, UL32-40 ST40, pair, silver grey | | 1 |
| 4 | 1558966-0442 | Frame 75° adducted, UL32-40 ST40, pair, night shimmer | | 1 |
| 4 | 1558966-0445 | Frame 75° adducted, UL32-40 ST40, pair, ivory white | | 1 |
| 4 | 1558966-0446 | Frame 75° adducted, UL32-40 ST40, pair, purple fire | | 1 |
| 4 | 1558966-0447 | Frame 75° adducted, UL32-40 ST40, pair, emerald green | 2011-12-01 → 2012-12-31 | 1 |
| 4 | 1558966-0448 | Frame 75° adducted, UL32-40 ST40, pair, midnight blue | 2011-12-01 → 2012-12-31 | 1 |
| 4 | 1558966-0449 | Frame 75° adducted, UL32-40 ST40, pair, umber glaze | | 1 |
| 4 | 1558966-0450 | Frame 75° adducted, UL32-40 ST40, pair, smokey grey | | 1 |
| 4 | 1558966-0451 | Frame 75° adducted, UL32-40 ST40, pair, flashy yellow | | 1 |
| 4 | 1558966-3524 | Frame 75° adducted, UL32-40 ST40, pair, royal red | | 1 |
| 4 | 1558966-5969 | Frame 75° adducted, UL32-40 ST40, pair, royal blue | | 1 |
| 4 | 1558966-9005 | Frame 75° adducted, UL32-40 ST40, pair, black glossy | | 1 |
| 5 | 1558967-0121 | Frame 75° adducted, UL32-40 ST42, pair, black-grey rustico | 2012-01-01 → | 1 |
| 5 | 1558967-0122 | Frame 75° adducted, UL32-40 ST42, pair, golden beach | 2013-01-01 → | 1 |
| 5 | 1558967-0410 | Frame 75° adducted, UL32-40 ST42, pair, polished | | 1 |
| 5 | 1558967-0411 | Frame 75° adducted, UL32-40 ST42, pair, black matt | | 1 |
| 5 | 1558967-0419 | Frame 75° adducted, UL32-40 ST42, pair, silver grey | | 1 |
| 5 | 1558967-0442 | Frame 75° adducted, UL32-40 ST42, pair, night shimmer | | 1 |
| 5 | 1558967-0445 | Frame 75° adducted, UL32-40 ST42, pair, ivory white | | 1 |
| 5 | 1558967-0446 | Frame 75° adducted, UL32-40 ST42, pair, purple fire | | 1 |
| 5 | 1558967-0447 | Frame 75° adducted, UL32-40 ST42, pair, emerald green | 2011-12-01 → 2012-12-31 | 1 |
| 5 | 1558967-0448 | Frame 75° adducted, UL32-40 ST42, pair, midnight blue | 2011-12-01 → 2012-12-31 | 1 |
| 5 | 1558967-0449 | Frame 75° adducted, UL32-40 ST42, pair, umber glaze | | 1 |
| 5 | 1558967-0450 | Frame 75° adducted, UL32-40 ST42, pair, smokey grey | | 1 |
| 5 | 1558967-0451 | Frame 75° adducted, UL32-40 ST42, pair, flashy yellow | | 1 |
| 5 | 1558967-3524 | Frame 75° adducted, UL32-40 ST42, pair, royal red | | 1 |
| 5 | 1558967-5969 | Frame 75° adducted, UL32-40 ST42, pair, royal blue | | 1 |

Frame Aluminium 75° adducted

| Pos. | Part number | Description | Valid from → until | Qty |
|------|--------------|--|----------------------------|-----|
| 5 | 1558967-9005 | Frame 75° adducted, UL32-40 ST42, pair, black glossy | | 1 |
| 6 | 1558968-0121 | Frame 75° adducted, UL32-40 ST44, pair, black-grey rustico | 2012-01-01 → | 1 |
| 6 | 1558968-0122 | Frame 75° adducted, UL32-40 ST44, pair, golden beach | 2013-01-01 → | 1 |
| 6 | 1558968-0410 | Frame 75° adducted, UL32-40 ST44, pair, polished | | 1 |
| 6 | 1558968-0411 | Frame 75° adducted, UL32-40 ST44, pair, black matt | | 1 |
| 6 | 1558968-0419 | Frame 75° adducted, UL32-40 ST44, pair, silver grey | | 1 |
| 6 | 1558968-0442 | Frame 75° adducted, UL32-40 ST44, pair, night shimmer | | 1 |
| 6 | 1558968-0445 | Frame 75° adducted, UL32-40 ST44, pair, ivory white | | 1 |
| 6 | 1558968-0446 | Frame 75° adducted, UL32-40 ST44, pair, purple fire | | 1 |
| 6 | 1558968-0447 | Frame 75° adducted, UL32-40 ST44, pair, emerald green | 2011-12-01 → 2012-12-31 | 1 |
| 6 | 1558968-0448 | Frame 75° adducted, UL32-40 ST44, pair, midnight blue | 2011-12-01 → 2012-12-31 | 1 |
| 6 | 1558968-0449 | Frame 75° adducted, UL32-40 ST44, pair, umber glaze | | 1 |
| 6 | 1558968-0450 | Frame 75° adducted, UL32-40 ST44, pair, smokey grey | | 1 |
| 6 | 1558968-0451 | Frame 75° adducted, UL32-40 ST44, pair, flashy yellow | | 1 |
| 6 | 1558968-3524 | Frame 75° adducted, UL32-40 ST44, pair, royal red | | 1 |
| 6 | 1558968-5969 | Frame 75° adducted, UL32-40 ST44, pair, royal blue | | 1 |
| 6 | 1558968-9005 | Frame 75° adducted, UL32-40 ST44, pair, black glossy | | 1 |
| 7 | 1558969-0121 | Frame 75° adducted, UL32-40 ST46, pair, black-grey rustico | 2012-01-01 → | 1 |
| 7 | 1558969-0122 | Frame 75° adducted, UL32-40 ST46, pair, golden beach | 2013-01-01 → | 1 |
| 7 | 1558969-0410 | Frame 75° adducted, UL32-40 ST46, pair, polished | | 1 |
| 7 | 1558969-0411 | Frame 75° adducted, UL32-40 ST46, pair, black matt | | 1 |
| 7 | 1558969-0419 | Frame 75° adducted, UL32-40 ST46, pair, silver grey | | 1 |
| 7 | 1558969-0442 | Frame 75° adducted, UL32-40 ST46, pair, night shimmer | | 1 |
| 7 | 1558969-0445 | Frame 75° adducted, UL32-40 ST46, pair, ivory white | | 1 |
| 7 | 1558969-0446 | Frame 75° adducted, UL32-40 ST46, pair, purple fire | | 1 |
| 7 | 1558969-0447 | Frame 75° adducted, UL32-40 ST46, pair, emerald green | 2011-12-01 → 2012-12-31 | 1 |
| 7 | 1558969-0448 | Frame 75° adducted, UL32-40 ST46, pair, midnight blue | 2011-12-01 → 2012-12-31 | 1 |
| 7 | 1558969-0449 | Frame 75° adducted, UL32-40 ST46, pair, umber glaze | | 1 |
| 7 | 1558969-0450 | Frame 75° adducted, UL32-40 ST46, pair, smokey grey | | 1 |
| 7 | 1558969-0451 | Frame 75° adducted, UL32-40 ST46, pair, flashy yellow | | 1 |
| 7 | 1558969-3524 | Frame 75° adducted, UL32-40 ST46, pair, royal red | | 1 |
| 7 | 1558969-5969 | Frame 75° adducted, UL32-40 ST46, pair, royal blue | | 1 |
| 7 | 1558969-9005 | Frame 75° adducted, UL32-40 ST46, pair, black glossy | | 1 |
| 8 | 1558970-0121 | Frame 75° adducted, UL40-50 ST34, pair, black-grey rustico | 2012-01-01 → | 1 |
| 8 | 1558970-0122 | Frame 75° adducted, UL40-50 ST34, pair, golden beach | 2013-01-01 → | 1 |
| 8 | 1558970-0410 | Frame 75° adducted, UL40-50 ST34, pair, polished | | 1 |
| 8 | 1558970-0411 | Frame 75° adducted, UL40-50 ST34, pair, black matt | | 1 |
| 8 | 1558970-0419 | Frame 75° adducted, UL40-50 ST34, pair, silver grey | | 1 |
| 8 | 1558970-0442 | Frame 75° adducted, UL40-50 ST34, pair, night shimmer | | 1 |
| 8 | 1558970-0445 | Frame 75° adducted, UL40-50 ST34, pair, ivory white | | 1 |
| 8 | 1558970-0446 | Frame 75° adducted, UL40-50 ST34, pair, purple fire | | 1 |
| 8 | 1558970-0447 | Frame 75° adducted, UL40-50 ST34, pair, emerald green | 2011-12-01 → 2012-12-31 | 1 |
| 8 | 1558970-0448 | Frame 75° adducted, UL40-50 ST34, pair, midnight blue | 2011-12-01 → 2012-12-31 | 1 |
| 8 | 1558970-0449 | Frame 75° adducted, UL40-50 ST34, pair, umber glaze | | 1 |
| 8 | 1558970-0450 | Frame 75° adducted, UL40-50 ST34, pair, smokey grey | | 1 |
| 8 | 1558970-0451 | Frame 75° adducted, UL40-50 ST34, pair, flashy yellow | | 1 |
| 8 | 1558970-3524 | Frame 75° adducted, UL40-50 ST34, pair, royal red | | 1 |
| 8 | 1558970-5969 | Frame 75° adducted, UL40-50 ST34, pair, royal blue | | 1 |
| 8 | 1558970-9005 | Frame 75° adducted, UL40-50 ST34, pair, black glossy | | 1 |
| 9 | 1558971-0121 | Frame 75° adducted, UL40-50 ST36, pair, black-grey rustico | 2012-01-01 → | 1 |
| 9 | 1558971-0122 | Frame 75° adducted, UL40-50 ST36, pair, golden beach | 2013-01-01 → | 1 |

Frame Aluminium 75° adducted

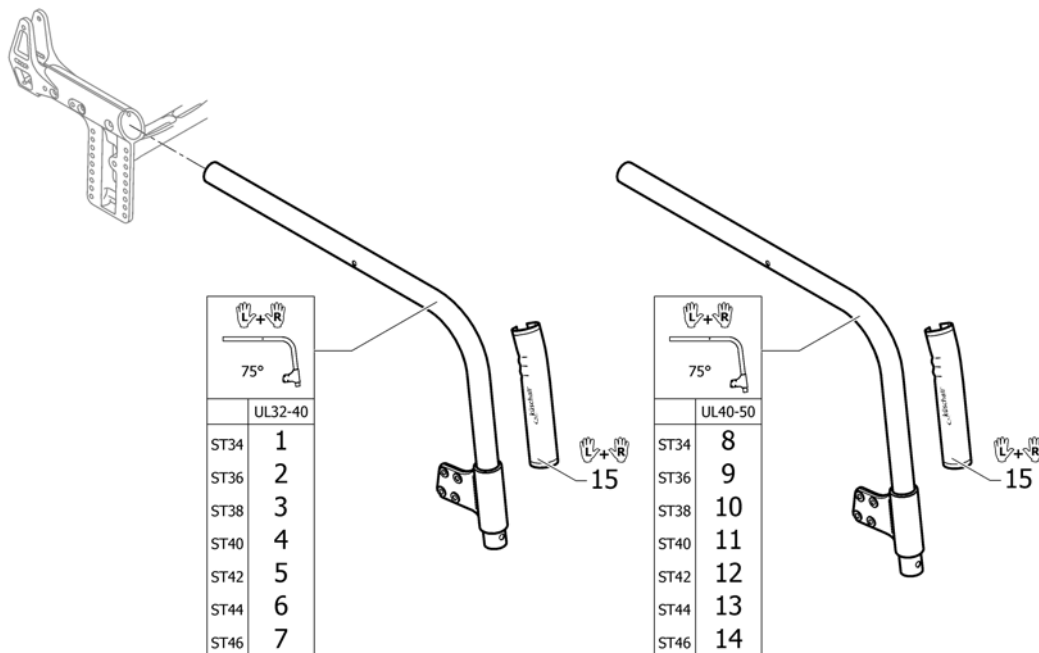
| Pos. | Part number | Description | Valid from → until | Qty |
|------|--------------|--|----------------------------|-----|
| 9 | 1558971-0410 | Frame 75° adducted, UL40-50 ST36, pair, polished | | 1 |
| 9 | 1558971-0411 | Frame 75° adducted, UL40-50 ST36, pair, black matt | | 1 |
| 9 | 1558971-0419 | Frame 75° adducted, UL40-50 ST36, pair, silver grey | | 1 |
| 9 | 1558971-0442 | Frame 75° adducted, UL40-50 ST36, pair, night shimmer | | 1 |
| 9 | 1558971-0445 | Frame 75° adducted, UL40-50 ST36, pair, ivory white | | 1 |
| 9 | 1558971-0446 | Frame 75° adducted, UL40-50 ST36, pair, purple fire | | 1 |
| 9 | 1558971-0447 | Frame 75° adducted, UL40-50 ST36, pair, emerald green | 2011-12-01 → 2012-12-31 | 1 |
| 9 | 1558971-0448 | Frame 75° adducted, UL40-50 ST36, pair, midnight blue | 2011-12-01 → 2012-12-31 | 1 |
| 9 | 1558971-0449 | Frame 75° adducted, UL40-50 ST36, pair, umber glaze | | 1 |
| 9 | 1558971-0450 | Frame 75° adducted, UL40-50 ST36, pair, smokey grey | | 1 |
| 9 | 1558971-0451 | Frame 75° adducted, UL40-50 ST36, pair, flashy yellow | | 1 |
| 9 | 1558971-3524 | Frame 75° adducted, UL40-50 ST36, pair, royal red | | 1 |
| 9 | 1558971-5969 | Frame 75° adducted, UL40-50 ST36, pair, royal blue | | 1 |
| 9 | 1558971-9005 | Frame 75° adducted, UL40-50 ST36, pair, black glossy | | 1 |
| 10 | 1558972-0121 | Frame 75° adducted, UL40-50 ST38, pair, black-grey rustico | 2012-01-01 → | 1 |
| 10 | 1558972-0122 | Frame 75° adducted, UL40-50 ST38, pair, golden beach | 2013-01-01 → | 1 |
| 10 | 1558972-0410 | Frame 75° adducted, UL40-50 ST38, pair, polished | | 1 |
| 10 | 1558972-0411 | Frame 75° adducted, UL40-50 ST38, pair, black matt | | 1 |
| 10 | 1558972-0419 | Frame 75° adducted, UL40-50 ST38, pair, silver grey | | 1 |
| 10 | 1558972-0442 | Frame 75° adducted, UL40-50 ST38, pair, night shimmer | | 1 |
| 10 | 1558972-0445 | Frame 75° adducted, UL40-50 ST38, pair, ivory white | | 1 |
| 10 | 1558972-0446 | Frame 75° adducted, UL40-50 ST38, pair, purple fire | | 1 |
| 10 | 1558972-0447 | Frame 75° adducted, UL40-50 ST38, pair, emerald green | 2011-12-01 → 2012-12-31 | 1 |
| 10 | 1558972-0448 | Frame 75° adducted, UL40-50 ST38, pair, midnight blue | 2011-12-01 → 2012-12-31 | 1 |
| 10 | 1558972-0449 | Frame 75° adducted, UL40-50 ST38, pair, umber glaze | | 1 |
| 10 | 1558972-0450 | Frame 75° adducted, UL40-50 ST38, pair, smokey grey | | 1 |
| 10 | 1558972-0451 | Frame 75° adducted, UL40-50 ST38, pair, flashy yellow | | 1 |
| 10 | 1558972-3524 | Frame 75° adducted, UL40-50 ST38, pair, royal red | | 1 |
| 10 | 1558972-5969 | Frame 75° adducted, UL40-50 ST38, pair, royal blue | | 1 |
| 10 | 1558972-9005 | Frame 75° adducted, UL40-50 ST38, pair, black glossy | | 1 |
| 11 | 1558973-0121 | Frame 75° adducted, UL40-50 ST40, pair, black-grey rustico | 2012-01-01 → | 1 |
| 11 | 1558973-0122 | Frame 75° adducted, UL40-50 ST40, pair, golden beach | 2013-01-01 → | 1 |
| 11 | 1558973-0410 | Frame 75° adducted, UL40-50 ST40, pair, polished | | 1 |
| 11 | 1558973-0411 | Frame 75° adducted, UL40-50 ST40, pair, black matt | | 1 |
| 11 | 1558973-0419 | Frame 75° adducted, UL40-50 ST40, pair, silver grey | | 1 |
| 11 | 1558973-0442 | Frame 75° adducted, UL40-50 ST40, pair, night shimmer | | 1 |
| 11 | 1558973-0445 | Frame 75° adducted, UL40-50 ST40, pair, ivory white | | 1 |
| 11 | 1558973-0446 | Frame 75° adducted, UL40-50 ST40, pair, purple fire | | 1 |
| 11 | 1558973-0447 | Frame 75° adducted, UL40-50 ST40, pair, emerald green | 2011-12-01 → 2012-12-31 | 1 |
| 11 | 1558973-0448 | Frame 75° adducted, UL40-50 ST40, pair, midnight blue | 2011-12-01 → 2012-12-31 | 1 |
| 11 | 1558973-0449 | Frame 75° adducted, UL40-50 ST40, pair, umber glaze | | 1 |
| 11 | 1558973-0450 | Frame 75° adducted, UL40-50 ST40, pair, smokey grey | | 1 |
| 11 | 1558973-0451 | Frame 75° adducted, UL40-50 ST40, pair, flashy yellow | | 1 |
| 11 | 1558973-3524 | Frame 75° adducted, UL40-50 ST40, pair, royal red | | 1 |
| 11 | 1558973-5969 | Frame 75° adducted, UL40-50 ST40, pair, royal blue | | 1 |
| 11 | 1558973-9005 | Frame 75° adducted, UL40-50 ST40, pair, black glossy | | 1 |
| 12 | 1558974-0121 | Frame 75° adducted, UL40-50 ST42, pair, black-grey rustico | 2012-01-01 → | 1 |
| 12 | 1558974-0122 | Frame 75° adducted, UL40-50 ST42, pair, golden beach | 2013-01-01 → | 1 |
| 12 | 1558974-0410 | Frame 75° adducted, UL40-50 ST42, pair, polished | | 1 |
| 12 | 1558974-0411 | Frame 75° adducted, UL40-50 ST42, pair, black matt | | 1 |
| 12 | 1558974-0419 | Frame 75° adducted, UL40-50 ST42, pair, silver grey | | 1 |

Frame Aluminium 75° adducted

| Pos. | Part number | Description | Valid from → until | Qty |
|------|--------------|--|----------------------------|-----|
| 12 | 1558974-0442 | Frame 75° adducted, UL40-50 ST42, pair, night shimmer | | 1 |
| 12 | 1558974-0445 | Frame 75° adducted, UL40-50 ST42, pair, ivory white | | 1 |
| 12 | 1558974-0446 | Frame 75° adducted, UL40-50 ST42, pair, purple fire | | 1 |
| 12 | 1558974-0447 | Frame 75° adducted, UL40-50 ST42, pair, emerald green | 2011-12-01 → 2012-12-31 | 1 |
| 12 | 1558974-0448 | Frame 75° adducted, UL40-50 ST42, pair, midnight blue | 2011-12-01 → 2012-12-31 | 1 |
| 12 | 1558974-0449 | Frame 75° adducted, UL40-50 ST42, pair, umber glaze | | 1 |
| 12 | 1558974-0450 | Frame 75° adducted, UL40-50 ST42, pair, smokey grey | | 1 |
| 12 | 1558974-0451 | Frame 75° adducted, UL40-50 ST42, pair, flashy yellow | | 1 |
| 12 | 1558974-3524 | Frame 75° adducted, UL40-50 ST42, pair, royal red | | 1 |
| 12 | 1558974-5969 | Frame 75° adducted, UL40-50 ST42, pair, royal blue | | 1 |
| 12 | 1558974-9005 | Frame 75° adducted, UL40-50 ST42, pair, black glossy | | 1 |
| 13 | 1558975-0121 | Frame 75° adducted, UL40-50 ST44, pair, black-grey rustico | 2012-01-01 → | 1 |
| 13 | 1558975-0122 | Frame 75° adducted, UL40-50 ST44, pair, golden beach | 2013-01-01 → | 1 |
| 13 | 1558975-0410 | Frame 75° adducted, UL40-50 ST44, pair, polished | | 1 |
| 13 | 1558975-0411 | Frame 75° adducted, UL40-50 ST44, pair, black matt | | 1 |
| 13 | 1558975-0419 | Frame 75° adducted, UL40-50 ST44, pair, silver grey | | 1 |
| 13 | 1558975-0442 | Frame 75° adducted, UL40-50 ST44, pair, night shimmer | | 1 |
| 13 | 1558975-0445 | Frame 75° adducted, UL40-50 ST44, pair, ivory white | | 1 |
| 13 | 1558975-0446 | Frame 75° adducted, UL40-50 ST44, pair, purple fire | | 1 |
| 13 | 1558975-0447 | Frame 75° adducted, UL40-50 ST44, pair, emerald green | 2011-12-01 → 2012-12-31 | 1 |
| 13 | 1558975-0448 | Frame 75° adducted, UL40-50 ST44, pair, midnight blue | 2011-12-01 → 2012-12-31 | 1 |
| 13 | 1558975-0449 | Frame 75° adducted, UL40-50 ST44, pair, umber glaze | | 1 |
| 13 | 1558975-0450 | Frame 75° adducted, UL40-50 ST44, pair, smokey grey | | 1 |
| 13 | 1558975-0451 | Frame 75° adducted, UL40-50 ST44, pair, flashy yellow | | 1 |
| 13 | 1558975-3524 | Frame 75° adducted, UL40-50 ST44, pair, royal red | | 1 |
| 13 | 1558975-5969 | Frame 75° adducted, UL40-50 ST44, pair, royal blue | | 1 |
| 13 | 1558975-9005 | Frame 75° adducted, UL40-50 ST44, pair, black glossy | | 1 |
| 14 | 1558976-0121 | Frame 75° adducted, UL40-50 ST46, pair, black-grey rustico | 2012-01-01 → | 1 |
| 14 | 1558976-0122 | Frame 75° adducted, UL40-50 ST46, pair, golden beach | 2013-01-01 → | 1 |
| 14 | 1558976-0410 | Frame 75° adducted, UL40-50 ST46, pair, polished | | 1 |
| 14 | 1558976-0411 | Frame 75° adducted, UL40-50 ST46, pair, black matt | | 1 |
| 14 | 1558976-0419 | Frame 75° adducted, UL40-50 ST46, pair, silver grey | | 1 |
| 14 | 1558976-0442 | Frame 75° adducted, UL40-50 ST46, pair, night shimmer | | 1 |
| 14 | 1558976-0445 | Frame 75° adducted, UL40-50 ST46, pair, ivory white | | 1 |
| 14 | 1558976-0446 | Frame 75° adducted, UL40-50 ST46, pair, purple fire | | 1 |
| 14 | 1558976-0447 | Frame 75° adducted, UL40-50 ST46, pair, emerald green | 2011-12-01 → 2012-12-31 | 1 |
| 14 | 1558976-0448 | Frame 75° adducted, UL40-50 ST46, pair, midnight blue | 2011-12-01 → 2012-12-31 | 1 |
| 14 | 1558976-0449 | Frame 75° adducted, UL40-50 ST46, pair, umber glaze | | 1 |
| 14 | 1558976-0450 | Frame 75° adducted, UL40-50 ST46, pair, smokey grey | | 1 |
| 14 | 1558976-0451 | Frame 75° adducted, UL40-50 ST46, pair, flashy yellow | | 1 |
| 14 | 1558976-3524 | Frame 75° adducted, UL40-50 ST46, pair, royal red | | 1 |
| 14 | 1558976-5969 | Frame 75° adducted, UL40-50 ST46, pair, royal blue | | 1 |
| 14 | 1558976-9005 | Frame 75° adducted, UL40-50 ST46, pair, black glossy | | 1 |
| 15 | 1529372 | Front frame protectors, pair | | 1 |

Frame Titanium 75° standard

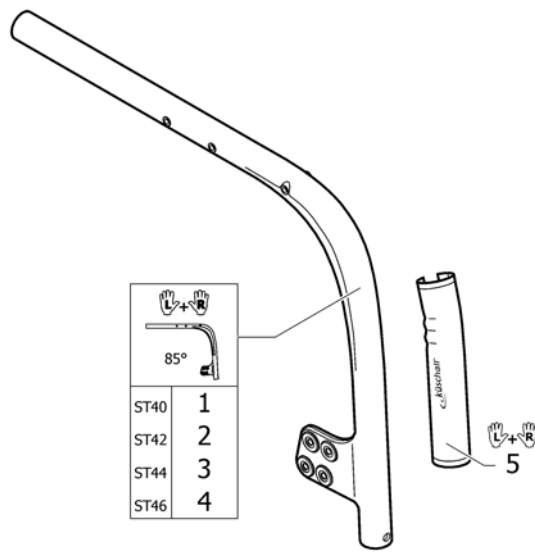
Titanium 75° Std.



| Pos. | Part number | Description | Valid from → until | Qty |
|------|-------------|---------------------------------------|--------------------|-----|
| 1 | 1558991 | Frame Titanium 75° UL34-40 ST34, pair | | 1 |
| 2 | 1558992 | Frame Titanium 75° UL34-40 ST36, pair | | 1 |
| 3 | 1558993 | Frame Titanium 75° UL34-40 ST38, pair | | 1 |
| 4 | 1558994 | Frame Titanium 75° UL34-40 ST40, pair | | 1 |
| 5 | 1558995 | Frame Titanium 75° UL34-40 ST42, pair | | 1 |
| 6 | 1558996 | Frame Titanium 75° UL34-40 ST44, pair | | 1 |
| 7 | 1558997 | Frame Titanium 75° UL34-40 ST46, pair | | 1 |
| 8 | 1558998 | Frame Titanium 75° UL40-50 ST34, pair | | 1 |
| 9 | 1558999 | Frame Titanium 75° UL40-50 ST36, pair | | 1 |
| 10 | 1559000 | Frame Titanium 75° UL40-50 ST38, pair | | 1 |
| 11 | 1559001 | Frame Titanium 75° UL40-50 ST40, pair | | 1 |
| 12 | 1559002 | Frame Titanium 75° UL40-50 ST42, pair | | 1 |
| 13 | 1559003 | Frame Titanium 75° UL40-50 ST44, pair | | 1 |
| 14 | 1559004 | Frame Titanium 75° UL40-50 ST46, pair | | 1 |
| 15 | 1529372 | Front frame protectors, pair | | 1 |

Frame Carbon 85°

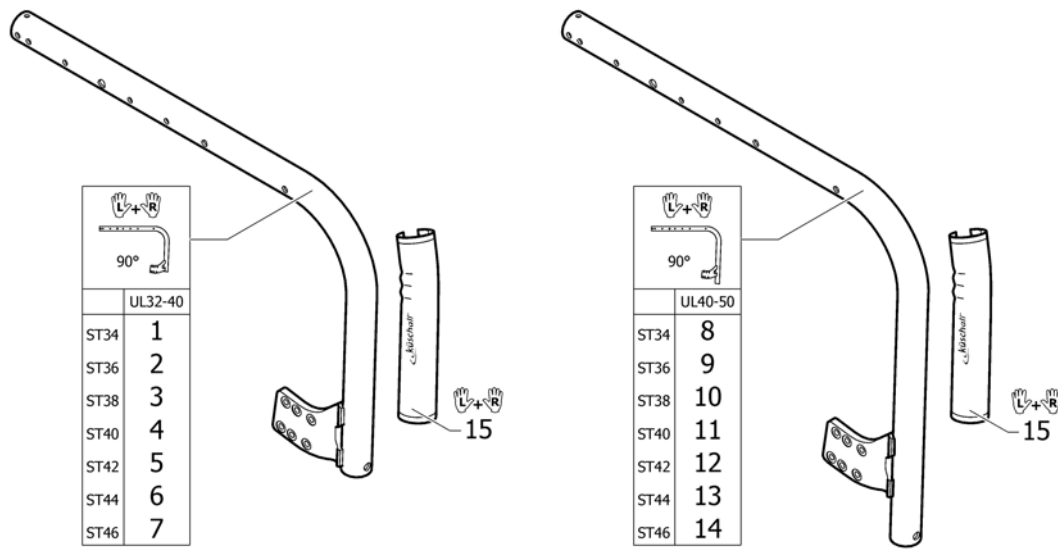
Carbon 85° Std.



| Pos. | Part number | Description | Valid from → until | Qty |
|------|-------------|------------------------------|--------------------|-----|
| 1 | 1511601 | Frame Carbon ST40, pair | | 1 |
| 2 | 1511602 | Frame Carbon ST42, pair | | 1 |
| 3 | 1511603 | Frame Carbon ST44, pair | | 1 |
| 4 | 1511604 | Frame Carbon ST46, pair | | 1 |
| 5 | 1529372 | Front frame protectors, pair | 2009-07-01 → | 1 |

Frame Aluminium 90° standard

Aluminium 90° Std.



| Pos. | Part number | Description | Valid from → until | Qty |
|------|--------------|--|----------------------------|-----|
| 1 | 1511554-0121 | Frame 90° UL32-40 ST34, pair, black-grey rustico | 2012-01-01 → | 1 |
| 1 | 1511554-0122 | Frame 90° UL32-40 ST34, pair, golden beach | 2013-01-01 → | 1 |
| 1 | 1511554-0410 | Frame 90° UL32-40 ST34, pair, polished | 2009-07-01 → | 1 |
| 1 | 1511554-0411 | Frame 90° UL32-40 ST34, pair, black matt | 2010-07-01 → | 1 |
| 1 | 1511554-0419 | Frame 90° UL32-40 ST34, pair, silver grey | | 1 |
| 1 | 1511554-0442 | Frame 90° UL32-40 ST34, pair, night shimmer | 2009-01-01 → | 1 |
| 1 | 1511554-0445 | Frame 90° UL32-40 ST34, pair, ivory white | 2010-07-01 → | 1 |
| 1 | 1511554-0446 | Frame 90° UL32-40 ST34, pair, purple fire | 2010-01-01 → | 1 |
| 1 | 1511554-0447 | Frame 90° UL32-40 ST34, pair, emerald green | 2010-01-01 → 2012-12-31 | 1 |
| 1 | 1511554-0448 | Frame 90° UL32-40 ST34, pair, midnight blue | 2010-01-01 → 2012-12-31 | 1 |
| 1 | 1511554-0449 | Frame 90° UL32-40 ST34, pair, umber glaze | 2010-01-01 → | 1 |
| 1 | 1511554-0450 | Frame 90° UL32-40 ST34, pair, smokey grey | 2010-01-01 → | 1 |
| 1 | 1511554-0451 | Frame 90° UL32-40 ST34, pair, flashy yellow | 2011-01-01 → | 1 |
| 1 | 1511554-0452 | Frame 90° UL32-40 ST34, pair, terra magic | 2011-01-01 → 2011-06-30 | 1 |
| 1 | 1511554-3524 | Frame 90° UL32-40 ST34, pair, royal red | | 1 |
| 1 | 1511554-5969 | Frame 90° UL32-40 ST34, pair, royal blue | | 1 |
| 1 | 1511554-9005 | Frame 90° UL32-40 ST34, pair, black glossy | | 1 |
| 2 | 1511558-0121 | Frame 90° UL32-40 ST36, pair, black-grey rustico | 2012-01-01 → | 1 |
| 2 | 1511558-0122 | Frame 90° UL32-40 ST36, pair, golden beach | 2013-01-01 → | 1 |
| 2 | 1511558-0410 | Frame 90° UL32-40 ST36, pair, polished | 2009-07-01 → | 1 |
| 2 | 1511558-0411 | Frame 90° UL32-40 ST36, pair, black matt | 2010-07-01 → | 1 |
| 2 | 1511558-0419 | Frame 90° UL32-40 ST36, pair, silver grey | | 1 |
| 2 | 1511558-0442 | Frame 90° UL32-40 ST36, pair, night shimmer | 2009-01-01 → | 1 |
| 2 | 1511558-0445 | Frame 90° UL32-40 ST36, pair, ivory white | 2010-07-01 → | 1 |
| 2 | 1511558-0446 | Frame 90° UL32-40 ST36, pair, purple fire | 2010-01-01 → | 1 |
| 2 | 1511558-0447 | Frame 90° UL32-40 ST36, pair, emerald green | 2010-01-01 → 2012-12-31 | 1 |
| 2 | 1511558-0448 | Frame 90° UL32-40 ST36, pair, midnight blue | 2010-01-01 → 2012-12-31 | 1 |
| 2 | 1511558-0449 | Frame 90° UL32-40 ST36, pair, umber glaze | 2010-01-01 → | 1 |

Frame Aluminium 90° standard

| Pos. | Part number | Description | Valid from → until | Qty |
|------|--------------|--|----------------------------|-----|
| 2 | 1511558-0450 | Frame 90° UL32-40 ST36, pair, smokey grey | 2010-01-01 → | 1 |
| 2 | 1511558-0451 | Frame 90° UL32-40 ST36, pair, flashy yellow | 2011-01-01 → | 1 |
| 2 | 1511558-0452 | Frame 90° UL32-40 ST36, pair, terra magic | 2011-01-01 → 2011-06-30 | 1 |
| 2 | 1511558-3524 | Frame 90° UL32-40 ST36, pair, royal red | | 1 |
| 2 | 1511558-5969 | Frame 90° UL32-40 ST36, pair, royal blue | | 1 |
| 2 | 1511558-9005 | Frame 90° UL32-40 ST36, pair, black glossy | | 1 |
| 3 | 1511562-0121 | Frame 90° UL32-40 ST38, pair, black-grey rustico | 2012-01-01 → | 1 |
| 3 | 1511562-0122 | Frame 90° UL32-40 ST38, pair, golden beach | 2013-01-01 → | 1 |
| 3 | 1511562-0410 | Frame 90° UL32-40 ST38, pair, polished | 2009-07-01 → | 1 |
| 3 | 1511562-0411 | Frame 90° UL32-40 ST38, pair, black matt | 2010-07-01 → | 1 |
| 3 | 1511562-0419 | Frame 90° UL32-40 ST38, pair, silver grey | | 1 |
| 3 | 1511562-0442 | Frame 90° UL32-40 ST38, pair, night shimmer | 2009-01-01 → | 1 |
| 3 | 1511562-0445 | Frame 90° UL32-40 ST38, pair, ivory white | 2010-07-01 → | 1 |
| 3 | 1511562-0446 | Frame 90° UL32-40 ST38, pair, purple fire | 2010-01-01 → | 1 |
| 3 | 1511562-0447 | Frame 90° UL32-40 ST38, pair, emerald green | 2010-01-01 → 2012-12-31 | 1 |
| 3 | 1511562-0448 | Frame 90° UL32-40 ST38, pair, midnight blue | 2010-01-01 → 2012-12-31 | 1 |
| 3 | 1511562-0449 | Frame 90° UL32-40 ST38, pair, umber glaze | 2010-01-01 → | 1 |
| 3 | 1511562-0450 | Frame 90° UL32-40 ST38, pair, smokey grey | 2010-01-01 → | 1 |
| 3 | 1511562-0451 | Frame 90° UL32-40 ST38, pair, flashy yellow | 2011-01-01 → | 1 |
| 3 | 1511562-0452 | Frame 90° UL32-40 ST38, pair, terra magic | 2011-01-01 → 2011-06-30 | 1 |
| 3 | 1511562-3524 | Frame 90° UL32-40 ST38, pair, royal red | | 1 |
| 3 | 1511562-5969 | Frame 90° UL32-40 ST38, pair, royal blue | | 1 |
| 3 | 1511562-9005 | Frame 90° UL32-40 ST38, pair, black glossy | | 1 |
| 4 | 1511566-0121 | Frame 90° UL32-40 ST40, pair, black-grey rustico | 2012-01-01 → | 1 |
| 4 | 1511566-0122 | Frame 90° UL32-40 ST40, pair, golden beach | 2013-01-01 → | 1 |
| 4 | 1511566-0410 | Frame 90° UL32-40 ST40, pair, polished | 2009-07-01 → | 1 |
| 4 | 1511566-0411 | Frame 90° UL32-40 ST40, pair, black matt | 2010-07-01 → | 1 |
| 4 | 1511566-0419 | Frame 90° UL32-40 ST40, pair, silver grey | | 1 |
| 4 | 1511566-0442 | Frame 90° UL32-40 ST40, pair, night shimmer | 2009-01-01 → | 1 |
| 4 | 1511566-0445 | Frame 90° UL32-40 ST40, pair, ivory white | 2010-07-01 → | 1 |
| 4 | 1511566-0446 | Frame 90° UL32-40 ST40, pair, purple fire | 2010-01-01 → | 1 |
| 4 | 1511566-0447 | Frame 90° UL32-40 ST40, pair, emerald green | 2010-01-01 → 2012-12-31 | 1 |
| 4 | 1511566-0448 | Frame 90° UL32-40 ST40, pair, midnight blue | 2010-01-01 → 2012-12-31 | 1 |
| 4 | 1511566-0449 | Frame 90° UL32-40 ST40, pair, umber glaze | 2010-01-01 → | 1 |
| 4 | 1511566-0450 | Frame 90° UL32-40 ST40, pair, smokey grey | 2010-01-01 → | 1 |
| 4 | 1511566-0451 | Frame 90° UL32-40 ST40, pair, flashy yellow | 2011-01-01 → | 1 |
| 4 | 1511566-0452 | Frame 90° UL32-40 ST40, pair, terra magic | 2011-01-01 → 2011-06-30 | 1 |
| 4 | 1511566-3524 | Frame 90° UL32-40 ST40, pair, royal red | | 1 |
| 4 | 1511566-5969 | Frame 90° UL32-40 ST40, pair, royal blue | | 1 |
| 4 | 1511566-9005 | Frame 90° UL32-40 ST40, pair, black glossy | | 1 |
| 5 | 1511570-0121 | Frame 90° UL32-40 ST42, pair, black-grey rustico | 2012-01-01 → | 1 |
| 5 | 1511570-0122 | Frame 90° UL32-40 ST42, pair, golden beach | 2013-01-01 → | 1 |
| 5 | 1511570-0410 | Frame 90° UL32-40 ST42, pair, polished | 2009-07-01 → | 1 |
| 5 | 1511570-0411 | Frame 90° UL32-40 ST42, pair, black matt | 2010-07-01 → | 1 |
| 5 | 1511570-0419 | Frame 90° UL32-40 ST42, pair, silver grey | | 1 |
| 5 | 1511570-0442 | Frame 90° UL32-40 ST42, pair, night shimmer | 2009-01-01 → | 1 |
| 5 | 1511570-0445 | Frame 90° UL32-40 ST42, pair, ivory white | 2010-07-01 → | 1 |
| 5 | 1511570-0446 | Frame 90° UL32-40 ST42, pair, purple fire | 2010-01-01 → | 1 |
| 5 | 1511570-0447 | Frame 90° UL32-40 ST42, pair, emerald green | 2010-01-01 → 2012-12-31 | 1 |

Frame Aluminium 90° standard

| Pos. | Part number | Description | Valid from → until | Qty |
|------|--------------|--|----------------------------|-----|
| 5 | 1511570-0448 | Frame 90° UL32-40 ST42, pair, midnight blue | 2010-01-01 → 2012-12-31 | 1 |
| 5 | 1511570-0449 | Frame 90° UL32-40 ST42, pair, umber glaze | 2010-01-01 → | 1 |
| 5 | 1511570-0450 | Frame 90° UL32-40 ST42, pair, smokey grey | 2010-01-01 → | 1 |
| 5 | 1511570-0451 | Frame 90° UL32-40 ST42, pair, flashy yellow | 2011-01-01 → | 1 |
| 5 | 1511570-0452 | Frame 90° UL32-40 ST42, pair, terra magic | 2011-01-01 → 2011-06-30 | 1 |
| 5 | 1511570-3524 | Frame 90° UL32-40 ST42, pair, royal red | | 1 |
| 5 | 1511570-5969 | Frame 90° UL32-40 ST42, pair, royal blue | | 1 |
| 5 | 1511570-9005 | Frame 90° UL32-40 ST42, pair, black glossy | | 1 |
| 6 | 1511574-0121 | Frame 90° UL32-40 ST44, pair, black-grey rustico | 2012-01-01 → | 1 |
| 6 | 1511574-0122 | Frame 90° UL32-40 ST44, pair, golden beach | 2013-01-01 → | 1 |
| 6 | 1511574-0410 | Frame 90° UL32-40 ST44, pair, polished | 2009-07-01 → | 1 |
| 6 | 1511574-0411 | Frame 90° UL32-40 ST44, pair, black matt | 2010-07-01 → | 1 |
| 6 | 1511574-0419 | Frame 90° UL32-40 ST44, pair, silver grey | | 1 |
| 6 | 1511574-0442 | Frame 90° UL32-40 ST44, pair, night shimmer | 2009-01-01 → | 1 |
| 6 | 1511574-0445 | Frame 90° UL32-40 ST44, pair, ivory white | 2010-07-01 → | 1 |
| 6 | 1511574-0446 | Frame 90° UL32-40 ST44, pair, purple fire | 2010-01-01 → | 1 |
| 6 | 1511574-0447 | Frame 90° UL32-40 ST44, pair, emerald green | 2010-01-01 → 2012-12-31 | 1 |
| 6 | 1511574-0448 | Frame 90° UL32-40 ST44, pair, midnight blue | 2010-01-01 → 2012-12-31 | 1 |
| 6 | 1511574-0449 | Frame 90° UL32-40 ST44, pair, umber glaze | 2010-01-01 → | 1 |
| 6 | 1511574-0450 | Frame 90° UL32-40 ST44, pair, smokey grey | 2010-01-01 → | 1 |
| 6 | 1511574-0451 | Frame 90° UL32-40 ST44, pair, flashy yellow | 2011-01-01 → | 1 |
| 6 | 1511574-0452 | Frame 90° UL32-40 ST44, pair, terra magic | 2011-01-01 → 2011-06-30 | 1 |
| 6 | 1511574-3524 | Frame 90° UL32-40 ST44, pair, royal red | | 1 |
| 6 | 1511574-5969 | Frame 90° UL32-40 ST44, pair, royal blue | | 1 |
| 6 | 1511574-9005 | Frame 90° UL32-40 ST44, pair, black glossy | | 1 |
| 7 | 1511600-0121 | Frame 90° UL32-40 ST46, pair, black-grey rustico | 2012-01-01 → | 1 |
| 7 | 1511600-0122 | Frame 90° UL32-40 ST46, pair, golden beach | 2013-01-01 → | 1 |
| 7 | 1511600-0410 | Frame 90° UL32-40 ST46, pair, polished | 2009-07-01 → | 1 |
| 7 | 1511600-0411 | Frame 90° UL32-40 ST46, pair, black matt | 2010-07-01 → | 1 |
| 7 | 1511600-0419 | Frame 90° UL32-40 ST46, pair, silver grey | | 1 |
| 7 | 1511600-0442 | Frame 90° UL32-40 ST46, pair, night shimmer | 2009-01-01 → | 1 |
| 7 | 1511600-0445 | Frame 90° UL32-40 ST46, pair, ivory white | 2010-07-01 → | 1 |
| 7 | 1511600-0446 | Frame 90° UL32-40 ST46, pair, purple fire | 2010-01-01 → | 1 |
| 7 | 1511600-0447 | Frame 90° UL32-40 ST46, pair, emerald green | 2010-01-01 → 2012-12-31 | 1 |
| 7 | 1511600-0448 | Frame 90° UL32-40 ST46, pair, midnight blue | 2010-01-01 → 2012-12-31 | 1 |
| 7 | 1511600-0449 | Frame 90° UL32-40 ST46, pair, umber glaze | 2010-01-01 → | 1 |
| 7 | 1511600-0450 | Frame 90° UL32-40 ST46, pair, smokey grey | 2010-01-01 → | 1 |
| 7 | 1511600-0451 | Frame 90° UL32-40 ST46, pair, flashy yellow | 2011-01-01 → | 1 |
| 7 | 1511600-0452 | Frame 90° UL32-40 ST46, pair, terra magic | 2011-01-01 → 2011-06-30 | 1 |
| 7 | 1511600-3524 | Frame 90° UL32-40 ST46, pair, royal red | | 1 |
| 7 | 1511600-5969 | Frame 90° UL32-40 ST46, pair, royal blue | | 1 |
| 7 | 1511600-9005 | Frame 90° UL32-40 ST46, pair, black glossy | | 1 |
| 8 | 1511552-0121 | Frame 90° UL40-50 ST34, pair, black-grey rustico | 2012-01-01 → | 1 |
| 8 | 1511552-0122 | Frame 90° UL40-50 ST34, pair, golden beach | 2013-01-01 → | 1 |
| 8 | 1511552-0410 | Frame 90° UL40-50 ST34, pair, polished | 2009-07-01 → | 1 |
| 8 | 1511552-0411 | Frame 90° UL40-50 ST34, pair, black matt | 2010-07-01 → | 1 |
| 8 | 1511552-0419 | Frame 90° UL40-50 ST34, pair, silver grey | | 1 |
| 8 | 1511552-0442 | Frame 90° UL40-50 ST34, pair, night shimmer | 2009-01-01 → | 1 |
| 8 | 1511552-0445 | Frame 90° UL40-50 ST34, pair, ivory white | 2010-07-01 → | 1 |

Frame Aluminium 90° standard

| Pos. | Part number | Description | Valid from → until | Qty |
|------|--------------|--|----------------------------|-----|
| 8 | 1511552-0446 | Frame 90° UL40-50 ST34, pair, purple fire | 2010-01-01 → | 1 |
| 8 | 1511552-0447 | Frame 90° UL40-50 ST34, pair, emerald green | 2010-01-01 → 2012-12-31 | 1 |
| 8 | 1511552-0448 | Frame 90° UL40-50 ST34, pair, midnight blue | 2010-01-01 → 2012-12-31 | 1 |
| 8 | 1511552-0449 | Frame 90° UL40-50 ST34, pair, umber glaze | 2010-01-01 → | 1 |
| 8 | 1511552-0450 | Frame 90° UL40-50 ST34, pair, smokey grey | 2010-01-01 → | 1 |
| 8 | 1511552-0451 | Frame 90° UL40-50 ST34, pair, flashy yellow | 2011-01-01 → | 1 |
| 8 | 1511552-0452 | Frame 90° UL40-50 ST34, pair, terra magic | 2011-01-01 → 2011-06-30 | 1 |
| 8 | 1511552-3524 | Frame 90° UL40-50 ST34, pair, royal red | | 1 |
| 8 | 1511552-5969 | Frame 90° UL40-50 ST34, pair, royal blue | | 1 |
| 8 | 1511552-9005 | Frame 90° UL40-50 ST34, pair, black glossy | | 1 |
| 9 | 1511556-0121 | Frame 90° UL40-50 ST36, pair, black-grey rustico | 2012-01-01 → | 1 |
| 9 | 1511556-0122 | Frame 90° UL40-50 ST36, pair, golden beach | 2013-01-01 → | 1 |
| 9 | 1511556-0410 | Frame 90° UL40-50 ST36, pair, polished | 2009-07-01 → | 1 |
| 9 | 1511556-0411 | Frame 90° UL40-50 ST36, pair, black matt | 2010-07-01 → | 1 |
| 9 | 1511556-0419 | Frame 90° UL40-50 ST36, pair, silver grey | | 1 |
| 9 | 1511556-0442 | Frame 90° UL40-50 ST36, pair, night shimmer | 2009-01-01 → | 1 |
| 9 | 1511556-0445 | Frame 90° UL40-50 ST36, pair, ivory white | 2010-07-01 → | 1 |
| 9 | 1511556-0446 | Frame 90° UL40-50 ST36, pair, purple fire | 2010-01-01 → | 1 |
| 9 | 1511556-0447 | Frame 90° UL40-50 ST36, pair, emerald green | 2010-01-01 → 2012-12-31 | 1 |
| 9 | 1511556-0448 | Frame 90° UL40-50 ST36, pair, midnight blue | 2010-01-01 → 2012-12-31 | 1 |
| 9 | 1511556-0449 | Frame 90° UL40-50 ST36, pair, umber glaze | 2010-01-01 → | 1 |
| 9 | 1511556-0450 | Frame 90° UL40-50 ST36, pair, smokey grey | 2010-01-01 → | 1 |
| 9 | 1511556-0451 | Frame 90° UL40-50 ST36, pair, flashy yellow | 2011-01-01 → | 1 |
| 9 | 1511556-0452 | Frame 90° UL40-50 ST36, pair, terra magic | 2011-01-01 → 2011-06-30 | 1 |
| 9 | 1511556-3524 | Frame 90° UL40-50 ST36, pair, royal red | | 1 |
| 9 | 1511556-5969 | Frame 90° UL40-50 ST36, pair, royal blue | | 1 |
| 9 | 1511556-9005 | Frame 90° UL40-50 ST36, pair, black glossy | | 1 |
| 10 | 1511560-0121 | Frame 90° UL40-50 ST38, pair, black-grey rustico | 2012-01-01 → | 1 |
| 10 | 1511560-0122 | Frame 90° UL40-50 ST38, pair, golden beach | 2013-01-01 → | 1 |
| 10 | 1511560-0410 | Frame 90° UL40-50 ST38, pair, polished | 2009-07-01 → | 1 |
| 10 | 1511560-0411 | Frame 90° UL40-50 ST38, pair, black matt | 2010-07-01 → | 1 |
| 10 | 1511560-0419 | Frame 90° UL40-50 ST38, pair, silver grey | | 1 |
| 10 | 1511560-0442 | Frame 90° UL40-50 ST38, pair, night shimmer | 2009-01-01 → | 1 |
| 10 | 1511560-0445 | Frame 90° UL40-50 ST38, pair, ivory white | 2010-07-01 → | 1 |
| 10 | 1511560-0446 | Frame 90° UL40-50 ST38, pair, purple fire | 2010-01-01 → | 1 |
| 10 | 1511560-0447 | Frame 90° UL40-50 ST38, pair, emerald green | 2010-01-01 → 2012-12-31 | 1 |
| 10 | 1511560-0448 | Frame 90° UL40-50 ST38, pair, midnight blue | 2010-01-01 → 2012-12-31 | 1 |
| 10 | 1511560-0449 | Frame 90° UL40-50 ST38, pair, umber glaze | 2010-01-01 → | 1 |
| 10 | 1511560-0450 | Frame 90° UL40-50 ST38, pair, smokey grey | 2010-01-01 → | 1 |
| 10 | 1511560-0451 | Frame 90° UL40-50 ST38, pair, flashy yellow | 2011-01-01 → | 1 |
| 10 | 1511560-0452 | Frame 90° UL40-50 ST38, pair, terra magic | 2011-01-01 → 2011-06-30 | 1 |
| 10 | 1511560-3524 | Frame 90° UL40-50 ST38, pair, royal red | | 1 |
| 10 | 1511560-5969 | Frame 90° UL40-50 ST38, pair, royal blue | | 1 |
| 10 | 1511560-9005 | Frame 90° UL40-50 ST38, pair, black glossy | | 1 |
| 11 | 1511564-0121 | Frame 90° UL40-50 ST40, pair, black-grey rustico | 2012-01-01 → | 1 |
| 11 | 1511564-0122 | Frame 90° UL40-50 ST40, pair, golden beach | 2013-01-01 → | 1 |
| 11 | 1511564-0410 | Frame 90° UL40-50 ST40, pair, polished | 2009-07-01 → | 1 |
| 11 | 1511564-0411 | Frame 90° UL40-50 ST40, pair, black matt | 2010-07-01 → | 1 |
| 11 | 1511564-0419 | Frame 90° UL40-50 ST40, pair, silver grey | | 1 |

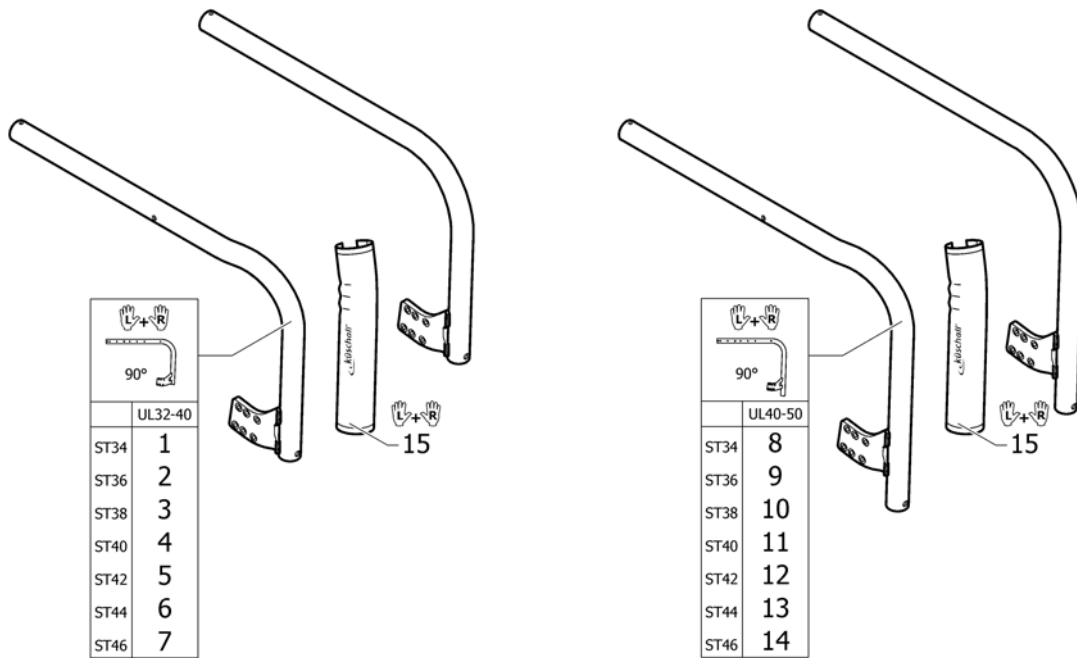
| Pos. | Part number | Description | Valid from → until | Qty |
|------|--------------|--|----------------------------|-----|
| 11 | 1511564-0442 | Frame 90° UL40-50 ST40, pair, night shimmer | 2009-01-01 → | 1 |
| 11 | 1511564-0445 | Frame 90° UL40-50 ST40, pair, ivory white | 2010-07-01 → | 1 |
| 11 | 1511564-0446 | Frame 90° UL40-50 ST40, pair, purple fire | 2010-01-01 → | 1 |
| 11 | 1511564-0447 | Frame 90° UL40-50 ST40, pair, emerald green | 2010-01-01 → 2012-12-31 | 1 |
| 11 | 1511564-0448 | Frame 90° UL40-50 ST40, pair, midnight blue | 2010-01-01 → 2012-12-31 | 1 |
| 11 | 1511564-0449 | Frame 90° UL40-50 ST40, pair, umber glaze | 2010-01-01 → | 1 |
| 11 | 1511564-0450 | Frame 90° UL40-50 ST40, pair, smokey grey | 2010-01-01 → | 1 |
| 11 | 1511564-0451 | Frame 90° UL40-50 ST40, pair, flashy yellow | 2011-01-01 → | 1 |
| 11 | 1511564-0452 | Frame 90° UL40-50 ST40, pair, terra magic | 2011-01-01 → 2011-06-30 | 1 |
| 11 | 1511564-3524 | Frame 90° UL40-50 ST40, pair, royal red | | 1 |
| 11 | 1511564-5969 | Frame 90° UL40-50 ST40, pair, royal blue | | 1 |
| 11 | 1511564-9005 | Frame 90° UL40-50 ST40, pair, black glossy | | 1 |
| 12 | 1511568-0121 | Frame 90° UL40-50 ST42, pair, black-grey rustico | 2012-01-01 → | 1 |
| 12 | 1511568-0122 | Frame 90° UL40-50 ST42, pair, golden beach | 2013-01-01 → | 1 |
| 12 | 1511568-0410 | Frame 90° UL40-50 ST42, pair, polished | 2009-07-01 → | 1 |
| 12 | 1511568-0411 | Frame 90° UL40-50 ST42, pair, black matt | 2010-07-01 → | 1 |
| 12 | 1511568-0419 | Frame 90° UL40-50 ST42, pair, silver grey | | 1 |
| 12 | 1511568-0442 | Frame 90° UL40-50 ST42, pair, night shimmer | 2009-01-01 → | 1 |
| 12 | 1511568-0445 | Frame 90° UL40-50 ST42, pair, ivory white | 2010-07-01 → | 1 |
| 12 | 1511568-0446 | Frame 90° UL40-50 ST42, pair, purple fire | 2010-01-01 → | 1 |
| 12 | 1511568-0447 | Frame 90° UL40-50 ST42, pair, emerald green | 2010-01-01 → 2012-12-31 | 1 |
| 12 | 1511568-0448 | Frame 90° UL40-50 ST42, pair, midnight blue | 2010-01-01 → 2012-12-31 | 1 |
| 12 | 1511568-0449 | Frame 90° UL40-50 ST42, pair, umber glaze | 2010-01-01 → | 1 |
| 12 | 1511568-0450 | Frame 90° UL40-50 ST42, pair, smokey grey | 2010-01-01 → | 1 |
| 12 | 1511568-0451 | Frame 90° UL40-50 ST42, pair, flashy yellow | 2011-01-01 → | 1 |
| 12 | 1511568-0452 | Frame 90° UL40-50 ST42, pair, terra magic | 2011-01-01 → 2011-06-30 | 1 |
| 12 | 1511568-3524 | Frame 90° UL40-50 ST42, pair, royal red | | 1 |
| 12 | 1511568-5969 | Frame 90° UL40-50 ST42, pair, royal blue | | 1 |
| 12 | 1511568-9005 | Frame 90° UL40-50 ST42, pair, black glossy | | 1 |
| 13 | 1511572-0121 | Frame 90° UL40-50 ST44, pair, black-grey rustico | 2012-01-01 → | 1 |
| 13 | 1511572-0122 | Frame 90° UL40-50 ST44, pair, golden beach | 2013-01-01 → | 1 |
| 13 | 1511572-0410 | Frame 90° UL40-50 ST44, pair, polished | 2009-07-01 → | 1 |
| 13 | 1511572-0411 | Frame 90° UL40-50 ST44, pair, black matt | 2010-07-01 → | 1 |
| 13 | 1511572-0419 | Frame 90° UL40-50 ST44, pair, silver grey | | 1 |
| 13 | 1511572-0442 | Frame 90° UL40-50 ST44, pair, night shimmer | 2009-01-01 → | 1 |
| 13 | 1511572-0445 | Frame 90° UL40-50 ST44, pair, ivory white | 2010-07-01 → | 1 |
| 13 | 1511572-0446 | Frame 90° UL40-50 ST44, pair, purple fire | 2010-01-01 → | 1 |
| 13 | 1511572-0447 | Frame 90° UL40-50 ST44, pair, emerald green | 2010-01-01 → 2012-12-31 | 1 |
| 13 | 1511572-0448 | Frame 90° UL40-50 ST44, pair, midnight blue | 2010-01-01 → 2012-12-31 | 1 |
| 13 | 1511572-0449 | Frame 90° UL40-50 ST44, pair, umber glaze | 2010-01-01 → | 1 |
| 13 | 1511572-0450 | Frame 90° UL40-50 ST44, pair, smokey grey | 2010-01-01 → | 1 |
| 13 | 1511572-0451 | Frame 90° UL40-50 ST44, pair, flashy yellow | 2011-01-01 → | 1 |
| 13 | 1511572-0452 | Frame 90° UL40-50 ST44, pair, terra magic | 2011-01-01 → 2011-06-30 | 1 |
| 13 | 1511572-3524 | Frame 90° UL40-50 ST44, pair, royal red | | 1 |
| 13 | 1511572-5969 | Frame 90° UL40-50 ST44, pair, royal blue | | 1 |
| 13 | 1511572-9005 | Frame 90° UL40-50 ST44, pair, black glossy | | 1 |
| 14 | 1511598-0121 | Frame 90° UL40-50 ST46, pair, black-grey rustico | 2012-01-01 → | 1 |
| 14 | 1511598-0122 | Frame 90° UL40-50 ST46, pair, golden beach | 2013-01-01 → | 1 |
| 14 | 1511598-0410 | Frame 90° UL40-50 ST46, pair, polished | 2009-07-01 → | 1 |

Frame Aluminium 90° standard

| Pos. | Part number | Description | Valid from → until | Qty |
|------|--------------|---|----------------------------|-----|
| 14 | 1511598-0411 | Frame 90° UL40-50 ST46, pair, black matt | 2010-07-01 → | 1 |
| 14 | 1511598-0419 | Frame 90° UL40-50 ST46, pair, silver grey | | 1 |
| 14 | 1511598-0442 | Frame 90° UL40-50 ST46, pair, night shimmer | 2009-01-01 → | 1 |
| 14 | 1511598-0445 | Frame 90° UL40-50 ST46, pair, ivory white | 2010-07-01 → | 1 |
| 14 | 1511598-0446 | Frame 90° UL40-50 ST46, pair, purple fire | 2010-01-01 → | 1 |
| 14 | 1511598-0447 | Frame 90° UL40-50 ST46, pair, emerald green | 2010-01-01 → 2012-12-31 | 1 |
| 14 | 1511598-0448 | Frame 90° UL40-50 ST46, pair, midnight blue | 2010-01-01 → 2012-12-31 | 1 |
| 14 | 1511598-0449 | Frame 90° UL40-50 ST46, pair, umber glaze | 2010-01-01 → | 1 |
| 14 | 1511598-0450 | Frame 90° UL40-50 ST46, pair, smokey grey | 2010-01-01 → | 1 |
| 14 | 1511598-0451 | Frame 90° UL40-50 ST46, pair, flashy yellow | 2011-01-01 → | 1 |
| 14 | 1511598-0452 | Frame 90° UL40-50 ST46, pair, terra magic | 2011-01-01 → 2011-06-30 | 1 |
| 14 | 1511598-3524 | Frame 90° UL40-50 ST46, pair, royal red | | 1 |
| 14 | 1511598-5969 | Frame 90° UL40-50 ST46, pair, royal blue | | 1 |
| 14 | 1511598-9005 | Frame 90° UL40-50 ST46, pair, black glossy | | 1 |
| 15 | 1529372 | Front frame protectors, pair | 2009-07-01 → | 1 |

Frame Aluminium 90° adducted

Aluminium 90° Adducted



| Pos. | Part number | Description | Valid from → until | Qty |
|------|--------------|--|----------------------------|-----|
| 1 | 1558977-0121 | Frame 90° adducted, UL32-40 ST34, pair, black-grey rustico | 2012-01-01 → | 1 |
| 1 | 1558977-0122 | Frame 90° adducted, UL32-40 ST34, pair, golden beach | 2013-01-01 → | 1 |
| 1 | 1558977-0410 | Frame 90° adducted, UL32-40 ST34, pair, polished | | 1 |
| 1 | 1558977-0411 | Frame 90° adducted, UL32-40 ST34, pair, black matt | | 1 |
| 1 | 1558977-0419 | Frame 90° adducted, UL32-40 ST34, pair, silver grey | | 1 |
| 1 | 1558977-0442 | Frame 90° adducted, UL32-40 ST34, pair, night shimmer | | 1 |
| 1 | 1558977-0445 | Frame 90° adducted, UL32-40 ST34, pair, ivory white | | 1 |
| 1 | 1558977-0446 | Frame 90° adducted, UL32-40 ST34, pair, purple fire | | 1 |
| 1 | 1558977-0447 | Frame 90° adducted, UL32-40 ST34, pair, emerald green | 2011-12-01 → 2012-12-31 | 1 |
| 1 | 1558977-0448 | Frame 90° adducted, UL32-40 ST34, pair, midnight blue | 2011-12-01 → 2012-12-31 | 1 |
| 1 | 1558977-0449 | Frame 90° adducted, UL32-40 ST34, pair, umber glaze | | 1 |
| 1 | 1558977-0450 | Frame 90° adducted, UL32-40 ST34, pair, smokey grey | | 1 |
| 1 | 1558977-0451 | Frame 90° adducted, UL32-40 ST34, pair, flashy yellow | | 1 |
| 1 | 1558977-3524 | Frame 90° adducted, UL32-40 ST34, pair, royal red | | 1 |
| 1 | 1558977-5969 | Frame 90° adducted, UL32-40 ST34, pair, royal blue | | 1 |
| 1 | 1558977-9005 | Frame 90° adducted, UL32-40 ST34, pair, black glossy | | 1 |
| 2 | 1558978-0121 | Frame 90° adducted, UL32-40 ST36, pair, black-grey rustico | 2012-01-01 → | 1 |
| 2 | 1558978-0122 | Frame 90° adducted, UL32-40 ST36, pair, golden beach | 2013-01-01 → | 1 |
| 2 | 1558978-0410 | Frame 90° adducted, UL32-40 ST36, pair, polished | | 1 |
| 2 | 1558978-0411 | Frame 90° adducted, UL32-40 ST36, pair, black matt | | 1 |
| 2 | 1558978-0419 | Frame 90° adducted, UL32-40 ST36, pair, silver grey | | 1 |
| 2 | 1558978-0442 | Frame 90° adducted, UL32-40 ST36, pair, night shimmer | | 1 |
| 2 | 1558978-0445 | Frame 90° adducted, UL32-40 ST36, pair, ivory white | | 1 |
| 2 | 1558978-0446 | Frame 90° adducted, UL32-40 ST36, pair, purple fire | | 1 |
| 2 | 1558978-0447 | Frame 90° adducted, UL32-40 ST36, pair, emerald green | 2011-12-01 → 2012-12-31 | 1 |
| 2 | 1558978-0448 | Frame 90° adducted, UL32-40 ST36, pair, midnight blue | 2011-12-01 → 2012-12-31 | 1 |
| 2 | 1558978-0449 | Frame 90° adducted, UL32-40 ST36, pair, umber glaze | | 1 |
| 2 | 1558978-0450 | Frame 90° adducted, UL32-40 ST36, pair, smokey grey | | 1 |

Frame Aluminium 90° adducted

| Pos. | Part number | Description | Valid from → until | Qty |
|------|--------------|--|----------------------------|-----|
| 2 | 1558978-0451 | Frame 90° adducted, UL32-40 ST36, pair, flashy yellow | | 1 |
| 2 | 1558978-3524 | Frame 90° adducted, UL32-40 ST36, pair, royal red | | 1 |
| 2 | 1558978-5969 | Frame 90° adducted, UL32-40 ST36, pair, royal blue | | 1 |
| 2 | 1558978-9005 | Frame 90° adducted, UL32-40 ST36, pair, black glossy | | 1 |
| 3 | 1558979-0121 | Frame 90° adducted, UL32-40 ST38, pair, black-grey rustico | 2012-01-01 → | 1 |
| 3 | 1558979-0122 | Frame 90° adducted, UL32-40 ST38, pair, golden beach | 2013-01-01 → | 1 |
| 3 | 1558979-0410 | Frame 90° adducted, UL32-40 ST38, pair, polished | | 1 |
| 3 | 1558979-0411 | Frame 90° adducted, UL32-40 ST38, pair, black matt | | 1 |
| 3 | 1558979-0419 | Frame 90° adducted, UL32-40 ST38, pair, silver grey | | 1 |
| 3 | 1558979-0442 | Frame 90° adducted, UL32-40 ST38, pair, night shimmer | | 1 |
| 3 | 1558979-0445 | Frame 90° adducted, UL32-40 ST38, pair, ivory white | | 1 |
| 3 | 1558979-0446 | Frame 90° adducted, UL32-40 ST38, pair, purple fire | | 1 |
| 3 | 1558979-0447 | Frame 90° adducted, UL32-40 ST38, pair, emerald green | 2011-12-01 → 2012-12-31 | 1 |
| 3 | 1558979-0448 | Frame 90° adducted, UL32-40 ST38, pair, midnight blue | 2011-12-01 → 2012-12-31 | 1 |
| 3 | 1558979-0449 | Frame 90° adducted, UL32-40 ST38, pair, umber glaze | | 1 |
| 3 | 1558979-0450 | Frame 90° adducted, UL32-40 ST38, pair, smokey grey | | 1 |
| 3 | 1558979-0451 | Frame 90° adducted, UL32-40 ST38, pair, flashy yellow | | 1 |
| 3 | 1558979-3524 | Frame 90° adducted, UL32-40 ST38, pair, royal red | | 1 |
| 3 | 1558979-5969 | Frame 90° adducted, UL32-40 ST38, pair, royal blue | | 1 |
| 3 | 1558979-9005 | Frame 90° adducted, UL32-40 ST38, pair, black glossy | | 1 |
| 4 | 1558980-0121 | Frame 90° adducted, UL32-40 ST40, pair, black-grey rustico | 2012-01-01 → | 1 |
| 4 | 1558980-0122 | Frame 90° adducted, UL32-40 ST40, pair, golden beach | 2013-01-01 → | 1 |
| 4 | 1558980-0410 | Frame 90° adducted, UL32-40 ST40, pair, polished | | 1 |
| 4 | 1558980-0411 | Frame 90° adducted, UL32-40 ST40, pair, black matt | | 1 |
| 4 | 1558980-0419 | Frame 90° adducted, UL32-40 ST40, pair, silver grey | | 1 |
| 4 | 1558980-0442 | Frame 90° adducted, UL32-40 ST40, pair, night shimmer | | 1 |
| 4 | 1558980-0445 | Frame 90° adducted, UL32-40 ST40, pair, ivory white | | 1 |
| 4 | 1558980-0446 | Frame 90° adducted, UL32-40 ST40, pair, purple fire | | 1 |
| 4 | 1558980-0447 | Frame 90° adducted, UL32-40 ST40, pair, emerald green | 2011-12-01 → 2012-12-31 | 1 |
| 4 | 1558980-0448 | Frame 90° adducted, UL32-40 ST40, pair, midnight blue | 2011-12-01 → 2012-12-31 | 1 |
| 4 | 1558980-0449 | Frame 90° adducted, UL32-40 ST40, pair, umber glaze | | 1 |
| 4 | 1558980-0450 | Frame 90° adducted, UL32-40 ST40, pair, smokey grey | | 1 |
| 4 | 1558980-0451 | Frame 90° adducted, UL32-40 ST40, pair, flashy yellow | | 1 |
| 4 | 1558980-3524 | Frame 90° adducted, UL32-40 ST40, pair, royal red | | 1 |
| 4 | 1558980-5969 | Frame 90° adducted, UL32-40 ST40, pair, royal blue | | 1 |
| 4 | 1558980-9005 | Frame 90° adducted, UL32-40 ST40, pair, black glossy | | 1 |
| 5 | 1558981-0121 | Frame 90° adducted, UL32-40 ST42, pair, black-grey rustico | 2012-01-01 → | 1 |
| 5 | 1558981-0122 | Frame 90° adducted, UL32-40 ST42, pair, golden beach | 2013-01-01 → | 1 |
| 5 | 1558981-0410 | Frame 90° adducted, UL32-40 ST42, pair, polished | | 1 |
| 5 | 1558981-0411 | Frame 90° adducted, UL32-40 ST42, pair, black matt | | 1 |
| 5 | 1558981-0419 | Frame 90° adducted, UL32-40 ST42, pair, silver grey | | 1 |
| 5 | 1558981-0442 | Frame 90° adducted, UL32-40 ST42, pair, night shimmer | | 1 |
| 5 | 1558981-0445 | Frame 90° adducted, UL32-40 ST42, pair, ivory white | | 1 |
| 5 | 1558981-0446 | Frame 90° adducted, UL32-40 ST42, pair, purple fire | | 1 |
| 5 | 1558981-0447 | Frame 90° adducted, UL32-40 ST42, pair, emerald green | 2011-12-01 → 2012-12-31 | 1 |
| 5 | 1558981-0448 | Frame 90° adducted, UL32-40 ST42, pair, midnight blue | 2011-12-01 → 2012-12-31 | 1 |
| 5 | 1558981-0449 | Frame 90° adducted, UL32-40 ST42, pair, umber glaze | | 1 |
| 5 | 1558981-0450 | Frame 90° adducted, UL32-40 ST42, pair, smokey grey | | 1 |
| 5 | 1558981-0451 | Frame 90° adducted, UL32-40 ST42, pair, flashy yellow | | 1 |
| 5 | 1558981-3524 | Frame 90° adducted, UL32-40 ST42, pair, royal red | | 1 |
| 5 | 1558981-5969 | Frame 90° adducted, UL32-40 ST42, pair, royal blue | | 1 |

Frame Aluminium 90° adducted

| Pos. | Part number | Description | Valid from → until | Qty |
|------|--------------|--|----------------------------|-----|
| 5 | 1558981-9005 | Frame 90° adducted, UL32-40 ST42, pair, black glossy | | 1 |
| 6 | 1558982-0121 | Frame 90° adducted, UL32-40 ST44, pair, black-grey rustico | 2012-01-01 → | 1 |
| 6 | 1558982-0122 | Frame 90° adducted, UL32-40 ST44, pair, golden beach | 2013-01-01 → | 1 |
| 6 | 1558982-0410 | Frame 90° adducted, UL32-40 ST44, pair, polished | | 1 |
| 6 | 1558982-0411 | Frame 90° adducted, UL32-40 ST44, pair, black matt | | 1 |
| 6 | 1558982-0419 | Frame 90° adducted, UL32-40 ST44, pair, silver grey | | 1 |
| 6 | 1558982-0442 | Frame 90° adducted, UL32-40 ST44, pair, night shimmer | | 1 |
| 6 | 1558982-0445 | Frame 90° adducted, UL32-40 ST44, pair, ivory white | | 1 |
| 6 | 1558982-0446 | Frame 90° adducted, UL32-40 ST44, pair, purple fire | | 1 |
| 6 | 1558982-0447 | Frame 90° adducted, UL32-40 ST44, pair, emerald green | 2011-12-01 → 2012-12-31 | 1 |
| 6 | 1558982-0448 | Frame 90° adducted, UL32-40 ST44, pair, midnight blue | 2011-12-01 → 2012-12-31 | 1 |
| 6 | 1558982-0449 | Frame 90° adducted, UL32-40 ST44, pair, umber glaze | | 1 |
| 6 | 1558982-0450 | Frame 90° adducted, UL32-40 ST44, pair, smokey grey | | 1 |
| 6 | 1558982-0451 | Frame 90° adducted, UL32-40 ST44, pair, flashy yellow | | 1 |
| 6 | 1558982-3524 | Frame 90° adducted, UL32-40 ST44, pair, royal red | | 1 |
| 6 | 1558982-5969 | Frame 90° adducted, UL32-40 ST44, pair, royal blue | | 1 |
| 6 | 1558982-9005 | Frame 90° adducted, UL32-40 ST44, pair, black glossy | | 1 |
| 7 | 1558983-0121 | Frame 90° adducted, UL32-40 ST46, pair, black-grey rustico | 2012-01-01 → | 1 |
| 7 | 1558983-0122 | Frame 90° adducted, UL32-40 ST46, pair, golden beach | 2013-01-01 → | 1 |
| 7 | 1558983-0410 | Frame 90° adducted, UL32-40 ST46, pair, polished | | 1 |
| 7 | 1558983-0411 | Frame 90° adducted, UL32-40 ST46, pair, black matt | | 1 |
| 7 | 1558983-0419 | Frame 90° adducted, UL32-40 ST46, pair, silver grey | | 1 |
| 7 | 1558983-0442 | Frame 90° adducted, UL32-40 ST46, pair, night shimmer | | 1 |
| 7 | 1558983-0445 | Frame 90° adducted, UL32-40 ST46, pair, ivory white | | 1 |
| 7 | 1558983-0446 | Frame 90° adducted, UL32-40 ST46, pair, purple fire | | 1 |
| 7 | 1558983-0447 | Frame 90° adducted, UL32-40 ST46, pair, emerald green | 2011-12-01 → 2012-12-31 | 1 |
| 7 | 1558983-0448 | Frame 90° adducted, UL32-40 ST46, pair, midnight blue | 2011-12-01 → 2012-12-31 | 1 |
| 7 | 1558983-0449 | Frame 90° adducted, UL32-40 ST46, pair, umber glaze | | 1 |
| 7 | 1558983-0450 | Frame 90° adducted, UL32-40 ST46, pair, smokey grey | | 1 |
| 7 | 1558983-0451 | Frame 90° adducted, UL32-40 ST46, pair, flashy yellow | | 1 |
| 7 | 1558983-3524 | Frame 90° adducted, UL32-40 ST46, pair, royal red | | 1 |
| 7 | 1558983-5969 | Frame 90° adducted, UL32-40 ST46, pair, royal blue | | 1 |
| 7 | 1558983-9005 | Frame 90° adducted, UL32-40 ST46, pair, black glossy | | 1 |
| 8 | 1558984-0121 | Frame 90° adducted, UL40-50 ST34, pair, black-grey rustico | 2012-01-01 → | 1 |
| 8 | 1558984-0122 | Frame 90° adducted, UL40-50 ST34, pair, golden beach | 2013-01-01 → | 1 |
| 8 | 1558984-0410 | Frame 90° adducted, UL40-50 ST34, pair, polished | | 1 |
| 8 | 1558984-0411 | Frame 90° adducted, UL40-50 ST34, pair, black matt | | 1 |
| 8 | 1558984-0419 | Frame 90° adducted, UL40-50 ST34, pair, silver grey | | 1 |
| 8 | 1558984-0442 | Frame 90° adducted, UL40-50 ST34, pair, night shimmer | | 1 |
| 8 | 1558984-0445 | Frame 90° adducted, UL40-50 ST34, pair, ivory white | | 1 |
| 8 | 1558984-0446 | Frame 90° adducted, UL40-50 ST34, pair, purple fire | | 1 |
| 8 | 1558984-0447 | Frame 90° adducted, UL40-50 ST34, pair, emerald green | 2011-12-01 → 2012-12-31 | 1 |
| 8 | 1558984-0448 | Frame 90° adducted, UL40-50 ST34, pair, midnight blue | 2011-12-01 → 2012-12-31 | 1 |
| 8 | 1558984-0449 | Frame 90° adducted, UL40-50 ST34, pair, umber glaze | | 1 |
| 8 | 1558984-0450 | Frame 90° adducted, UL40-50 ST34, pair, smokey grey | | 1 |
| 8 | 1558984-0451 | Frame 90° adducted, UL40-50 ST34, pair, flashy yellow | | 1 |
| 8 | 1558984-3524 | Frame 90° adducted, UL40-50 ST34, pair, royal red | | 1 |
| 8 | 1558984-5969 | Frame 90° adducted, UL40-50 ST34, pair, royal blue | | 1 |
| 8 | 1558984-9005 | Frame 90° adducted, UL40-50 ST34, pair, black glossy | | 1 |
| 9 | 1558985-0121 | Frame 90° adducted, UL40-50 ST36, pair, black-grey rustico | 2012-01-01 → | 1 |
| 9 | 1558985-0122 | Frame 90° adducted, UL40-50 ST36, pair, golden beach | 2013-01-01 → | 1 |

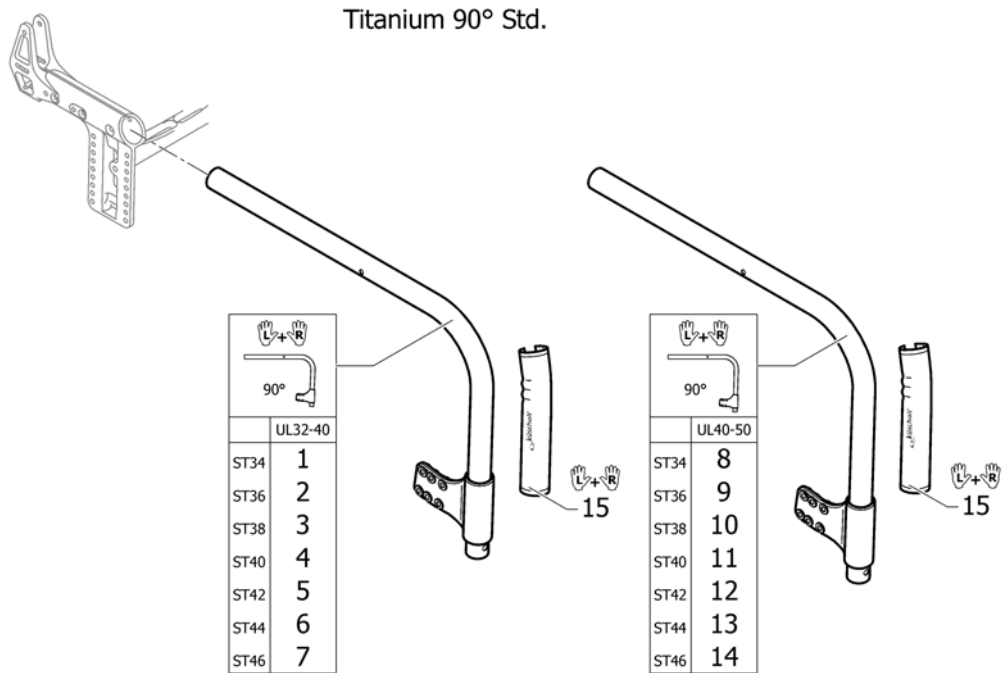
Frame Aluminium 90° adducted

| Pos. | Part number | Description | Valid from → until | Qty |
|------|--------------|--|----------------------------|-----|
| 9 | 1558985-0410 | Frame 90° adducted, UL40-50 ST36, pair, polished | | 1 |
| 9 | 1558985-0411 | Frame 90° adducted, UL40-50 ST36, pair, black matt | | 1 |
| 9 | 1558985-0419 | Frame 90° adducted, UL40-50 ST36, pair, silver grey | | 1 |
| 9 | 1558985-0442 | Frame 90° adducted, UL40-50 ST36, pair, night shimmer | | 1 |
| 9 | 1558985-0445 | Frame 90° adducted, UL40-50 ST36, pair, ivory white | | 1 |
| 9 | 1558985-0446 | Frame 90° adducted, UL40-50 ST36, pair, purple fire | | 1 |
| 9 | 1558985-0447 | Frame 90° adducted, UL40-50 ST36, pair, emerald green | 2011-12-01 → 2012-12-31 | 1 |
| 9 | 1558985-0448 | Frame 90° adducted, UL40-50 ST36, pair, midnight blue | 2011-12-01 → 2012-12-31 | 1 |
| 9 | 1558985-0449 | Frame 90° adducted, UL40-50 ST36, pair, umber glaze | | 1 |
| 9 | 1558985-0450 | Frame 90° adducted, UL40-50 ST36, pair, smokey grey | | 1 |
| 9 | 1558985-0451 | Frame 90° adducted, UL40-50 ST36, pair, flashy yellow | | 1 |
| 9 | 1558985-3524 | Frame 90° adducted, UL40-50 ST36, pair, royal red | | 1 |
| 9 | 1558985-5969 | Frame 90° adducted, UL40-50 ST36, pair, royal blue | | 1 |
| 9 | 1558985-9005 | Frame 90° adducted, UL40-50 ST36, pair, black glossy | | 1 |
| 10 | 1558986-0121 | Frame 90° adducted, UL40-50 ST38, pair, black-grey rustico | 2012-01-01 → | 1 |
| 10 | 1558986-0122 | Frame 90° adducted, UL40-50 ST38, pair, golden beach | 2013-01-01 → | 1 |
| 10 | 1558986-0410 | Frame 90° adducted, UL40-50 ST38, pair, polished | | 1 |
| 10 | 1558986-0411 | Frame 90° adducted, UL40-50 ST38, pair, black matt | | 1 |
| 10 | 1558986-0419 | Frame 90° adducted, UL40-50 ST38, pair, silver grey | | 1 |
| 10 | 1558986-0442 | Frame 90° adducted, UL40-50 ST38, pair, night shimmer | | 1 |
| 10 | 1558986-0445 | Frame 90° adducted, UL40-50 ST38, pair, ivory white | | 1 |
| 10 | 1558986-0446 | Frame 90° adducted, UL40-50 ST38, pair, purple fire | | 1 |
| 10 | 1558986-0447 | Frame 90° adducted, UL40-50 ST38, pair, emerald green | 2011-12-01 → 2012-12-31 | 1 |
| 10 | 1558986-0448 | Frame 90° adducted, UL40-50 ST38, pair, midnight blue | 2011-12-01 → 2012-12-31 | 1 |
| 10 | 1558986-0449 | Frame 90° adducted, UL40-50 ST38, pair, umber glaze | | 1 |
| 10 | 1558986-0450 | Frame 90° adducted, UL40-50 ST38, pair, smokey grey | | 1 |
| 10 | 1558986-0451 | Frame 90° adducted, UL40-50 ST38, pair, flashy yellow | | 1 |
| 10 | 1558986-3524 | Frame 90° adducted, UL40-50 ST38, pair, royal red | | 1 |
| 10 | 1558986-5969 | Frame 90° adducted, UL40-50 ST38, pair, royal blue | | 1 |
| 10 | 1558986-9005 | Frame 90° adducted, UL40-50 ST38, pair, black glossy | | 1 |
| 11 | 1558987-0121 | Frame 90° adducted, UL40-50 ST40, pair, black-grey rustico | 2012-01-01 → | 1 |
| 11 | 1558987-0122 | Frame 90° adducted, UL40-50 ST40, pair, golden beach | 2013-01-01 → | 1 |
| 11 | 1558987-0410 | Frame 90° adducted, UL40-50 ST40, pair, polished | | 1 |
| 11 | 1558987-0411 | Frame 90° adducted, UL40-50 ST40, pair, black matt | | 1 |
| 11 | 1558987-0419 | Frame 90° adducted, UL40-50 ST40, pair, silver grey | | 1 |
| 11 | 1558987-0442 | Frame 90° adducted, UL40-50 ST40, pair, night shimmer | | 1 |
| 11 | 1558987-0445 | Frame 90° adducted, UL40-50 ST40, pair, ivory white | | 1 |
| 11 | 1558987-0446 | Frame 90° adducted, UL40-50 ST40, pair, purple fire | | 1 |
| 11 | 1558987-0447 | Frame 90° adducted, UL40-50 ST40, pair, emerald green | 2011-12-01 → 2012-12-31 | 1 |
| 11 | 1558987-0448 | Frame 90° adducted, UL40-50 ST40, pair, midnight blue | 2011-12-01 → 2012-12-31 | 1 |
| 11 | 1558987-0449 | Frame 90° adducted, UL40-50 ST40, pair, umber glaze | | 1 |
| 11 | 1558987-0450 | Frame 90° adducted, UL40-50 ST40, pair, smokey grey | | 1 |
| 11 | 1558987-0451 | Frame 90° adducted, UL40-50 ST40, pair, flashy yellow | | 1 |
| 11 | 1558987-3524 | Frame 90° adducted, UL40-50 ST40, pair, royal red | | 1 |
| 11 | 1558987-5969 | Frame 90° adducted, UL40-50 ST40, pair, royal blue | | 1 |
| 11 | 1558987-9005 | Frame 90° adducted, UL40-50 ST40, pair, black glossy | | 1 |
| 12 | 1558988-0121 | Frame 90° adducted, UL40-50 ST42, pair, black-grey rustico | 2012-01-01 → | 1 |
| 12 | 1558988-0122 | Frame 90° adducted, UL40-50 ST42, pair, golden beach | 2013-01-01 → | 1 |
| 12 | 1558988-0410 | Frame 90° adducted, UL40-50 ST42, pair, polished | | 1 |
| 12 | 1558988-0411 | Frame 90° adducted, UL40-50 ST42, pair, black matt | | 1 |
| 12 | 1558988-0419 | Frame 90° adducted, UL40-50 ST42, pair, silver grey | | 1 |

Frame Aluminium 90° adducted

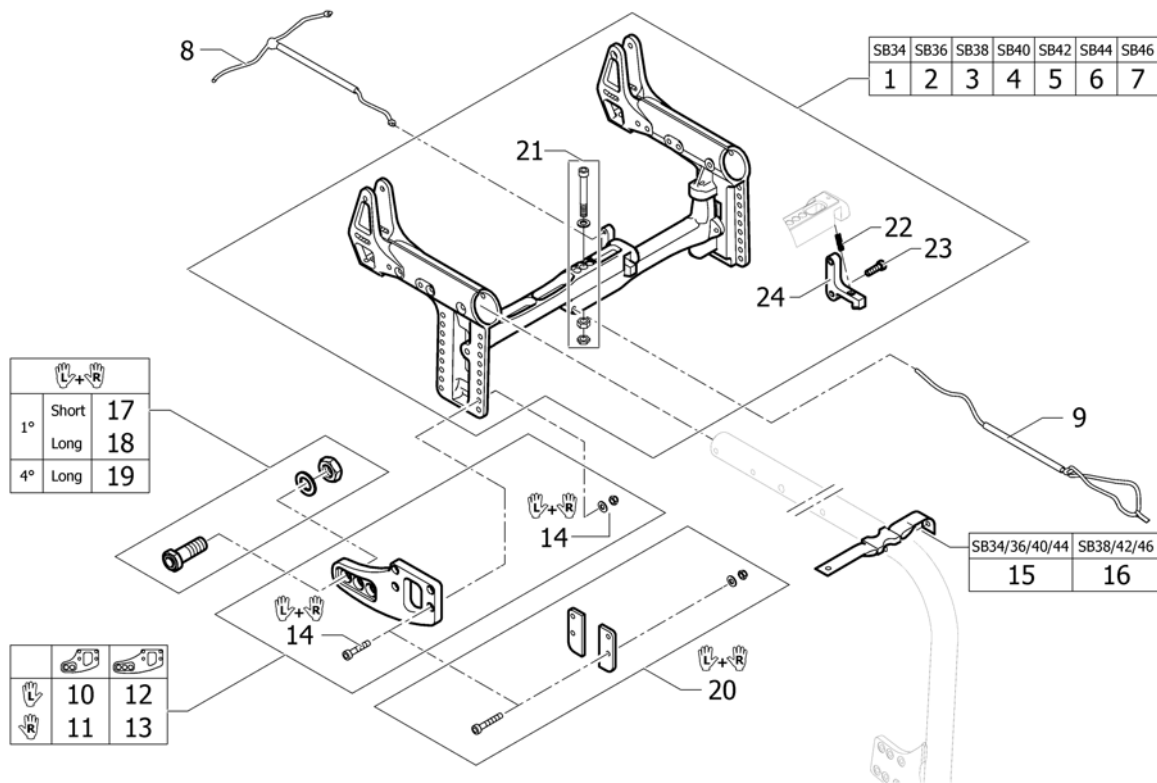
| Pos. | Part number | Description | Valid from → until | Qty |
|------|--------------|--|----------------------------|-----|
| 12 | 1558988-0442 | Frame 90° adducted, UL40-50 ST42, pair, night shimmer | | 1 |
| 12 | 1558988-0445 | Frame 90° adducted, UL40-50 ST42, pair, ivory white | | 1 |
| 12 | 1558988-0446 | Frame 90° adducted, UL40-50 ST42, pair, purple fire | | 1 |
| 12 | 1558988-0447 | Frame 90° adducted, UL40-50 ST42, pair, emerald green | 2011-12-01 → 2012-12-31 | 1 |
| 12 | 1558988-0448 | Frame 90° adducted, UL40-50 ST42, pair, midnight blue | 2011-12-01 → 2012-12-31 | 1 |
| 12 | 1558988-0449 | Frame 90° adducted, UL40-50 ST42, pair, umber glaze | | 1 |
| 12 | 1558988-0450 | Frame 90° adducted, UL40-50 ST42, pair, smokey grey | | 1 |
| 12 | 1558988-0451 | Frame 90° adducted, UL40-50 ST42, pair, flashy yellow | | 1 |
| 12 | 1558988-3524 | Frame 90° adducted, UL40-50 ST42, pair, royal red | | 1 |
| 12 | 1558988-5969 | Frame 90° adducted, UL40-50 ST42, pair, royal blue | | 1 |
| 12 | 1558988-9005 | Frame 90° adducted, UL40-50 ST42, pair, black glossy | | 1 |
| 13 | 1558989-0121 | Frame 90° adducted, UL40-50 ST44, pair, black-grey rustico | 2012-01-01 → | 1 |
| 13 | 1558989-0122 | Frame 90° adducted, UL40-50 ST44, pair, golden beach | 2013-01-01 → | 1 |
| 13 | 1558989-0410 | Frame 90° adducted, UL40-50 ST44, pair, polished | | 1 |
| 13 | 1558989-0411 | Frame 90° adducted, UL40-50 ST44, pair, black matt | | 1 |
| 13 | 1558989-0419 | Frame 90° adducted, UL40-50 ST44, pair, silver grey | | 1 |
| 13 | 1558989-0442 | Frame 90° adducted, UL40-50 ST44, pair, night shimmer | | 1 |
| 13 | 1558989-0445 | Frame 90° adducted, UL40-50 ST44, pair, ivory white | | 1 |
| 13 | 1558989-0446 | Frame 90° adducted, UL40-50 ST44, pair, purple fire | | 1 |
| 13 | 1558989-0447 | Frame 90° adducted, UL40-50 ST44, pair, emerald green | 2011-12-01 → 2012-12-31 | 1 |
| 13 | 1558989-0448 | Frame 90° adducted, UL40-50 ST44, pair, midnight blue | 2011-12-01 → 2012-12-31 | 1 |
| 13 | 1558989-0449 | Frame 90° adducted, UL40-50 ST44, pair, umber glaze | | 1 |
| 13 | 1558989-0450 | Frame 90° adducted, UL40-50 ST44, pair, smokey grey | | 1 |
| 13 | 1558989-0451 | Frame 90° adducted, UL40-50 ST44, pair, flashy yellow | | 1 |
| 13 | 1558989-3524 | Frame 90° adducted, UL40-50 ST44, pair, royal red | | 1 |
| 13 | 1558989-5969 | Frame 90° adducted, UL40-50 ST44, pair, royal blue | | 1 |
| 13 | 1558989-9005 | Frame 90° adducted, UL40-50 ST44, pair, black glossy | | 1 |
| 14 | 1558990-0121 | Frame 90° adducted, UL40-50 ST46, pair, black-grey rustico | 2012-01-01 → | 1 |
| 14 | 1558990-0122 | Frame 90° adducted, UL40-50 ST46, pair, golden beach | 2013-01-01 → | 1 |
| 14 | 1558990-0410 | Frame 90° adducted, UL40-50 ST46, pair, polished | | 1 |
| 14 | 1558990-0411 | Frame 90° adducted, UL40-50 ST46, pair, black matt | | 1 |
| 14 | 1558990-0419 | Frame 90° adducted, UL40-50 ST46, pair, silver grey | | 1 |
| 14 | 1558990-0442 | Frame 90° adducted, UL40-50 ST46, pair, night shimmer | | 1 |
| 14 | 1558990-0445 | Frame 90° adducted, UL40-50 ST46, pair, ivory white | | 1 |
| 14 | 1558990-0446 | Frame 90° adducted, UL40-50 ST46, pair, purple fire | | 1 |
| 14 | 1558990-0447 | Frame 90° adducted, UL40-50 ST46, pair, emerald green | 2011-12-01 → 2012-12-31 | 1 |
| 14 | 1558990-0448 | Frame 90° adducted, UL40-50 ST46, pair, midnight blue | 2011-12-01 → 2012-12-31 | 1 |
| 14 | 1558990-0449 | Frame 90° adducted, UL40-50 ST46, pair, umber glaze | | 1 |
| 14 | 1558990-0450 | Frame 90° adducted, UL40-50 ST46, pair, smokey grey | | 1 |
| 14 | 1558990-0451 | Frame 90° adducted, UL40-50 ST46, pair, flashy yellow | | 1 |
| 14 | 1558990-3524 | Frame 90° adducted, UL40-50 ST46, pair, royal red | | 1 |
| 14 | 1558990-5969 | Frame 90° adducted, UL40-50 ST46, pair, royal blue | | 1 |
| 14 | 1558990-9005 | Frame 90° adducted, UL40-50 ST46, pair, black glossy | | 1 |
| 15 | 1529372 | Front frame protectors, pair | | 1 |

Frame Titanium 90° standard



| Pos. | Part number | Description | Valid from → until | Qty |
|------|-------------|---------------------------------------|--------------------|-----|
| 1 | 1559005 | Frame Titanium 90° UL34-40 ST34, pair | | 1 |
| 2 | 1559006 | Frame Titanium 90° UL34-40 ST36, pair | | 1 |
| 3 | 1559007 | Frame Titanium 90° UL34-40 ST38, pair | | 1 |
| 4 | 1559008 | Frame Titanium 90° UL34-40 ST40, pair | | 1 |
| 5 | 1559009 | Frame Titanium 90° UL34-40 ST42, pair | | 1 |
| 6 | 1559010 | Frame Titanium 90° UL34-40 ST44, pair | | 1 |
| 7 | 1559011 | Frame Titanium 90° UL34-40 ST46, pair | | 1 |
| 8 | 1559012 | Frame Titanium 90° UL40-50 ST34, pair | | 1 |
| 9 | 1559013 | Frame Titanium 90° UL40-50 ST36, pair | | 1 |
| 10 | 1559014 | Frame Titanium 90° UL40-50 ST38, pair | | 1 |
| 11 | 1559015 | Frame Titanium 90° UL40-50 ST40, pair | | 1 |
| 12 | 1559016 | Frame Titanium 90° UL40-50 ST42, pair | | 1 |
| 13 | 1559017 | Frame Titanium 90° UL40-50 ST44, pair | | 1 |
| 14 | 1559018 | Frame Titanium 90° UL40-50 ST46, pair | | 1 |
| 15 | 1529372 | Front frame protectors, pair | | 1 |

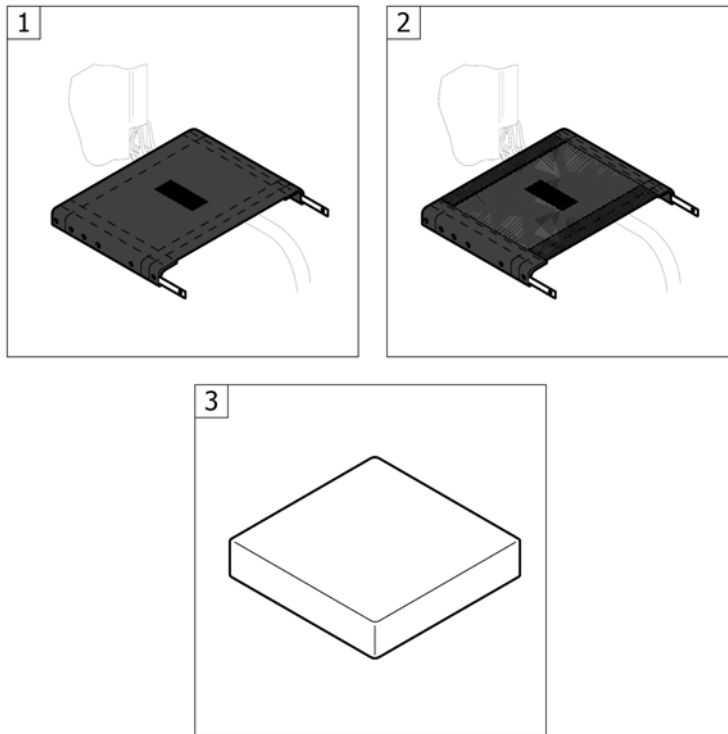
Folding unit



| Pos. | Part number | Description | Valid from → until | Qty |
|------|--------------|--|----------------------------|-----|
| 1 | 1511611 | Folding unit SB34 complete | | 1 |
| 2 | 1511612 | Folding unit SB36 complete | | 1 |
| 3 | 1511613 | Folding unit SB38 complete | | 1 |
| 4 | 1511614 | Folding unit SB40 complete | | 1 |
| 5 | 1511615 | Folding unit SB42 complete | | 1 |
| 6 | 1511616 | Folding unit SB44 complete | | 1 |
| 7 | 1511617 | Folding unit SB46 complete | | 1 |
| 8 | 1512025 | Folding aid | | 1 |
| 9 | 1512024 | Defolding aid | | 1 |
| 10 | 1511605-0004 | Adapter plate kit 'dynamic', left, black anodized | | 1 |
| 10 | 1511605-0001 | Adapter plate kit 'dynamic', left, chrome | 2011-07-01 → | 1 |
| 10 | 1511605-0182 | Adapter plate kit 'dynamic', left, champagne | 2013-01-01 → | 1 |
| 10 | 1511605-0183 | Adapter plate kit 'dynamic', left, olive | 2013-01-01 → | 1 |
| 10 | 1511605-0400 | Adapter plate kit 'dynamic', left, techno-anthrazit | | 1 |
| 10 | 1511605-0401 | Adapter plate kit 'dynamic', left, lemon | 2007-10-01 → 2012-12-31 | 1 |
| 10 | 1511605-0404 | Adapter plate kit 'dynamic', left, b-blue | | 1 |
| 10 | 1511605-0440 | Adapter plate kit 'dynamic', left, comet red | | 1 |
| 10 | 1511605-0441 | Adapter plate kit 'dynamic', left, arctic blue | 2010-01-01 → | 1 |
| 10 | 1511605-0444 | Adapter plate kit 'dynamic', left, copper glaze | | 1 |
| 11 | 1511606-0004 | Adapter plate kit 'dynamic', right, black anodized | | 1 |
| 11 | 1511606-0001 | Adapter plate kit 'dynamic', right, chrome | 2011-07-01 → | 1 |
| 11 | 1511606-0182 | Adapter plate kit 'dynamic', right, champagne | 2013-01-01 → | 1 |
| 11 | 1511606-0183 | Adapter plate kit 'dynamic', right, olive | 2013-01-01 → | 1 |
| 11 | 1511606-0400 | Adapter plate kit 'dynamic', right, techno-anthrazit | | 1 |
| 11 | 1511606-0401 | Adapter plate kit 'dynamic', right, lemon | 2007-10-01 → 2012-12-31 | 1 |
| 11 | 1511606-0404 | Adapter plate kit 'dynamic', right, b-blue | | 1 |
| 11 | 1511606-0440 | Adapter plate kit 'dynamic', right, comet red | | 1 |
| 11 | 1511606-0441 | Adapter plate kit 'dynamic', right, arctic blue | 2010-01-01 → | 1 |
| 11 | 1511606-0444 | Adapter plate kit 'dynamic', right, copper glaze | | 1 |
| 12 | 1511609-0004 | Adapter plate kit 'active', left, black anodized | | 1 |

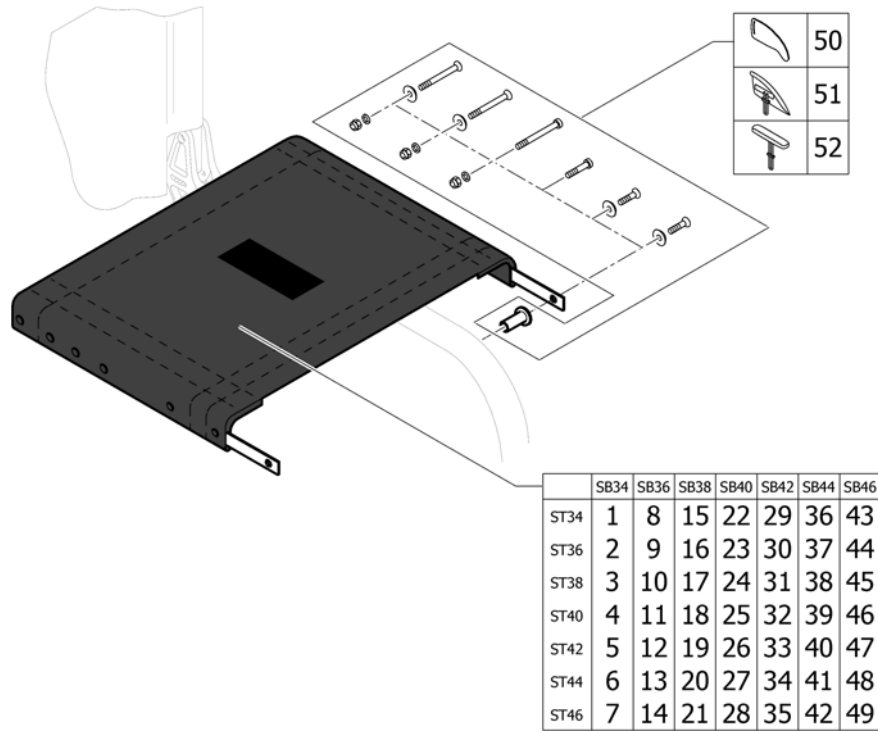
Folding unit

| Pos. | Part number | Description | Valid from → until | Qty |
|------|--------------|---|----------------------------|-----|
| 12 | 1511609-0001 | Adapter plate kit 'active', left, chrome | 2011-07-01 → | 1 |
| 12 | 1511609-0182 | Adapter plate kit 'active', left, champagne | 2013-01-01 → | 1 |
| 12 | 1511609-0183 | Adapter plate kit 'active', left, olive | 2013-01-01 → | 1 |
| 12 | 1511609-0400 | Adapter plate kit 'active', left, techno-anthrazit | | 1 |
| 12 | 1511609-0401 | Adapter plate kit 'active', left, lemon | 2007-10-01 → 2012-12-31 | 1 |
| 12 | 1511609-0404 | Adapter plate kit 'active', left, b-blue | | 1 |
| 12 | 1511609-0440 | Adapter plate kit 'active', left, comet red | | 1 |
| 12 | 1511609-0441 | Adapter plate kit 'active', left, arctic blue | 2010-01-01 → | 1 |
| 12 | 1511609-0444 | Adapter plate kit 'active', left, copper glaze | | 1 |
| 13 | 1511610-0004 | Adapter plate kit 'active', right, black anodized | | 1 |
| 13 | 1511610-0400 | Adapter plate kit 'active', right, techno-anthrazit | | 1 |
| 13 | 1511610-0001 | Adapter plate kit 'active', right, chrome | 2011-07-01 → | 1 |
| 13 | 1511610-0182 | Adapter plate kit 'active', right, champagne | 2013-01-01 → | 1 |
| 13 | 1511610-0183 | Adapter plate kit 'active', right, olive | 2013-01-01 → | 1 |
| 13 | 1511610-0401 | Adapter plate kit 'active', right, lemon | 2007-10-01 → 2012-12-31 | 1 |
| 13 | 1511610-0404 | Adapter plate kit 'active', right, b-blue | | 1 |
| 13 | 1511610-0440 | Adapter plate kit 'active', right, comet red | | 1 |
| 13 | 1511610-0441 | Adapter plate kit 'active', right, arctic blue | 2010-01-01 → | 1 |
| 13 | 1511610-0444 | Adapter plate kit 'active', right, copper glaze | | 1 |
| 14 | 1512105 | Fixation kit for adapter plate | | 1 |
| 15 | 1517640 | Fixing clip for SB34/36/40/44 | | 1 |
| 16 | 1517641 | Fixing clip for SB38/42/46 | | 1 |
| 17 | 1511618 | Adapter sleeve kit short | | 1 |
| 18 | 1512023 | Adapter sleeve kit long <i>Used for Antitipper or for ultra light fibre wheel</i> | | 1 |
| 19 | 1511619 | Adapter sleeve kit 4° | | 1 |
| 20 | 1517727 | Fixation kit with adapter plate spacer <i>Used if Siderest and 4° are mounted on the chair</i> | | 1 |
| 21 | 1540893 | Axle screw kit for folding unit | | 1 |
| 22 | 235.1018 | Pressure spring 0.8/5.5/23/8.5 | | 1 |
| 23 | 100.5127 | M6x20 screw | | 1 |
| 24 | 550.1119 | Unlock handle Champion Neo | | 1 |



| Pos. | Part number | Description | Valid from → until | Qty |
|------|-------------|-----------------------|--------------------|-----|
| 1 | - | Seat cover | | 1 |
| 2 | - | Seat cover light | 2011-07-01 → | 1 |
| 3 | - | Seat cushion standard | | 1 |

Seat cover

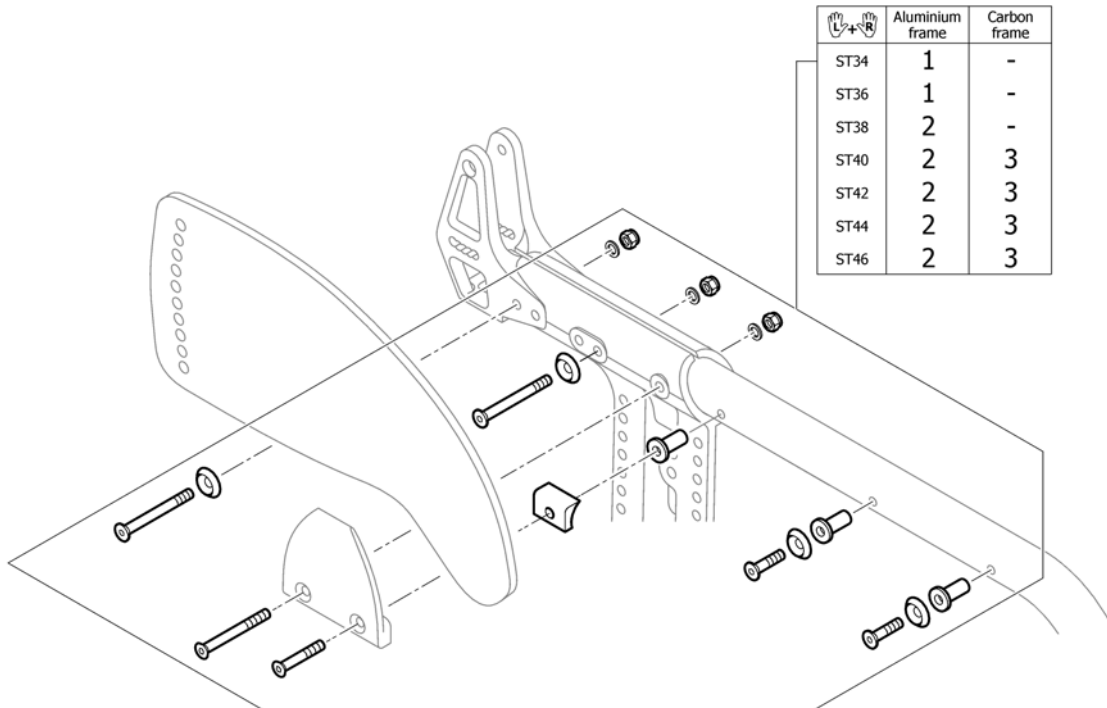


| Pos. | Part number | Description | Valid from → until | Qty |
|------|-------------|-------------------------------|--------------------|-----|
| 1 | 1511620 | Seat cover complete SB34 ST34 | | 1 |
| 2 | 1511621 | Seat cover complete SB34 ST36 | | 1 |
| 3 | 1511622 | Seat cover complete SB34 ST38 | | 1 |
| 4 | 1511623 | Seat cover complete SB34 ST40 | | 1 |
| 5 | 1511624 | Seat cover complete SB34 ST42 | | 1 |
| 6 | 1511625 | Seat cover complete SB34 ST44 | | 1 |
| 7 | 1511626 | Seat cover complete SB34 ST46 | | 1 |
| 8 | 1511627 | Seat cover complete SB36 ST34 | | 1 |
| 9 | 1511628 | Seat cover complete SB36 ST36 | | 1 |
| 10 | 1511629 | Seat cover complete SB36 ST38 | | 1 |
| 11 | 1511630 | Seat cover complete SB36 ST40 | | 1 |
| 12 | 1511631 | Seat cover complete SB36 ST42 | | 1 |
| 13 | 1511632 | Seat cover complete SB36 ST44 | | 1 |
| 14 | 1511633 | Seat cover complete SB36 ST46 | | 1 |
| 15 | 1511634 | Seat cover complete SB38 ST34 | | 1 |
| 16 | 1511635 | Seat cover complete SB38 ST36 | | 1 |
| 17 | 1511636 | Seat cover complete SB38 ST38 | | 1 |
| 18 | 1511637 | Seat cover complete SB38 ST40 | | 1 |
| 19 | 1511638 | Seat cover complete SB38 ST42 | | 1 |
| 20 | 1511639 | Seat cover complete SB38 ST44 | | 1 |
| 21 | 1511640 | Seat cover complete SB38 ST46 | | 1 |
| 22 | 1511641 | Seat cover complete SB40 ST34 | | 1 |
| 23 | 1511642 | Seat cover complete SB40 ST36 | | 1 |
| 24 | 1511643 | Seat cover complete SB40 ST38 | | 1 |
| 25 | 1511644 | Seat cover complete SB40 ST40 | | 1 |
| 26 | 1511645 | Seat cover complete SB40 ST42 | | 1 |
| 27 | 1511646 | Seat cover complete SB40 ST44 | | 1 |
| 28 | 1511647 | Seat cover complete SB40 ST46 | | 1 |
| 29 | 1511648 | Seat cover complete SB42 ST34 | | 1 |
| 30 | 1511649 | Seat cover complete SB42 ST36 | | 1 |
| 31 | 1511650 | Seat cover complete SB42 ST38 | | 1 |

Seat cover

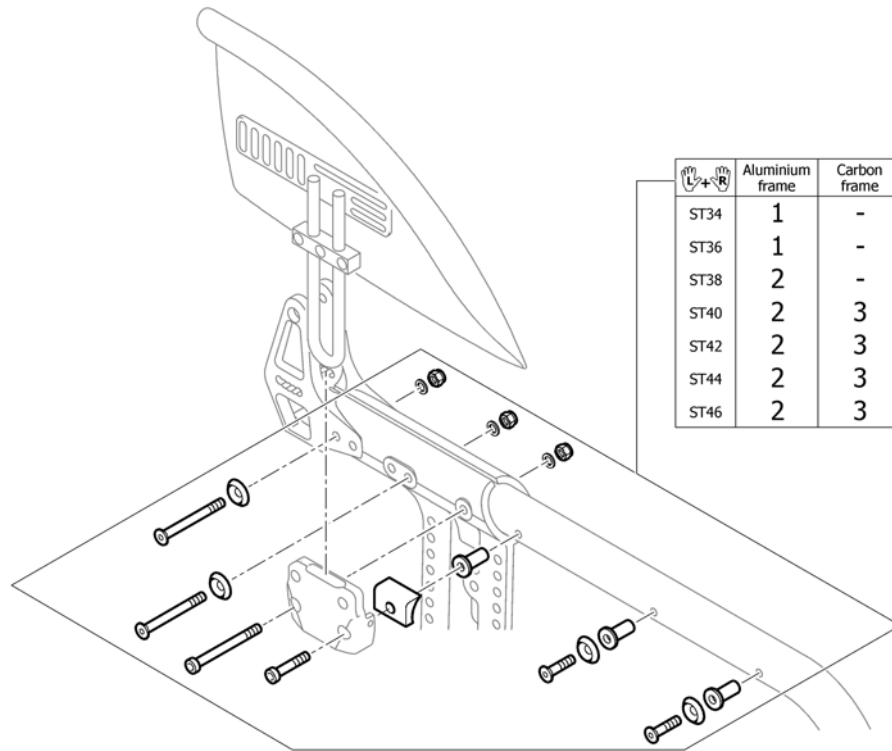
| Pos. | Part number | Description | Valid from → until | Qty |
|------|-------------|--|--------------------|-----|
| 32 | 1511651 | Seat cover complete SB42 ST40 | | 1 |
| 33 | 1511652 | Seat cover complete SB42 ST42 | | 1 |
| 34 | 1511653 | Seat cover complete SB42 ST44 | | 1 |
| 35 | 1511654 | Seat cover complete SB42 ST46 | | 1 |
| 36 | 1511655 | Seat cover complete SB44 ST34 | | 1 |
| 37 | 1511656 | Seat cover complete SB44 ST36 | | 1 |
| 38 | 1511657 | Seat cover complete SB44 ST38 | | 1 |
| 39 | 1511658 | Seat cover complete SB44 ST40 | | 1 |
| 40 | 1511659 | Seat cover complete SB44 ST42 | | 1 |
| 41 | 1511660 | Seat cover complete SB44 ST44 | | 1 |
| 42 | 1511661 | Seat cover complete SB44 ST46 | | 1 |
| 43 | 1511662 | Seat cover complete SB46 ST34 | | 1 |
| 44 | 1511663 | Seat cover complete SB46 ST36 | | 1 |
| 45 | 1511664 | Seat cover complete SB46 ST38 | | 1 |
| 46 | 1511665 | Seat cover complete SB46 ST40 | | 1 |
| 47 | 1511666 | Seat cover complete SB46 ST42 | | 1 |
| 48 | 1511667 | Seat cover complete SB46 ST44 | | 1 |
| 49 | 1511668 | Seat cover complete SB46 ST46 | | 1 |
| 50 | - | Fixation seat cover with clothes-guard | | 1 |
| 51 | - | Fixation seat cover with mudguard | | 1 |
| 52 | - | Fixation seat cover with siderest | | 1 |

Fixation seat cover with clothes-guard



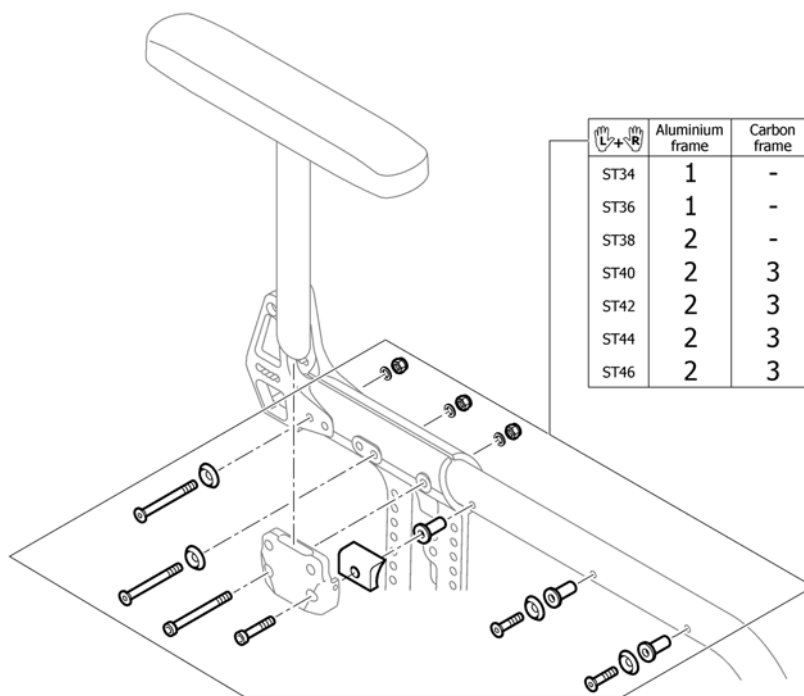
| Pos. | Part number | Description | Valid from → until | Qty |
|------|-------------|---|--------------------|-----|
| 1 | 1516363 | Fixation kit seat cover, Alu frame with clothes-guard, ST34-36 | | 1 |
| 2 | 1516364 | Fixation kit seat cover, Alu frame with clothes-guard, ST38-46 | | 1 |
| 3 | 1516367 | Fixation kit seat cover, Carbon frame with clothes-guard, ST40-46 | | 1 |

Fixation seat cover with mudguard



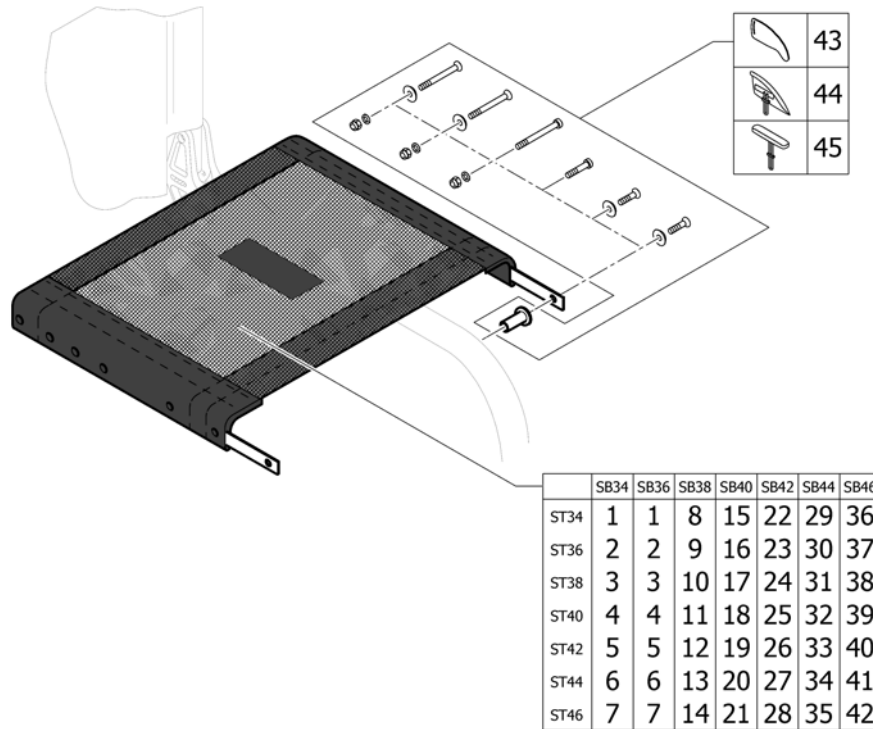
| Pos. | Part number | Description | Valid from → until | Qty |
|------|-------------|--|--------------------|-----|
| 1 | 1516369 | Fixation kit seat cover, Alu frame with mudguard, ST34-36 | | 1 |
| 2 | 1516370 | Fixation kit seat cover, Alu frame with mudguard, ST38-46 | | 1 |
| 3 | 1516373 | Fixation kit seat cover, Carbon frame with mudguard, ST40-46 | | 1 |

Fixation seat cover with siderest



| Pos. | Part number | Description | Valid from → until | Qty |
|------|-------------|--|--------------------|-----|
| 1 | 1516375 | Fixation kit seat cover, Alu frame with siderest, ST34-36 | | 1 |
| 2 | 1516376 | Fixation kit seat cover, Alu frame with siderest, ST38-46 | | 1 |
| 3 | 1516379 | Fixation kit seat cover, Carbon frame with siderest, ST40-46 | | 1 |

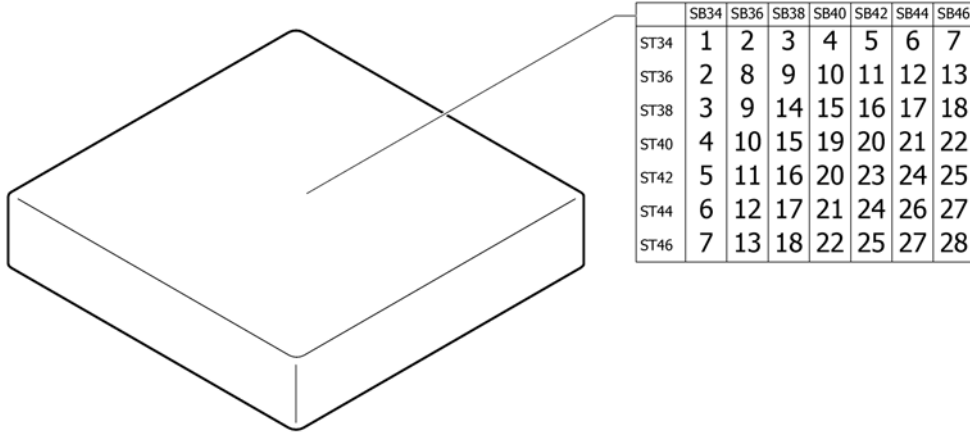
Seat cover light



| Pos. | Part number | Description | Valid from → until | Qty |
|------|-------------|--|--------------------|-----|
| 1 | 1550527 | Seat cover light complete SB34-36 ST34 | | 1 |
| 2 | 1550528 | Seat cover light complete SB34-36 ST36 | | 1 |
| 3 | 1550529 | Seat cover light complete SB34-36 ST38 | | 1 |
| 4 | 1550530 | Seat cover light complete SB34-36 ST40 | | 1 |
| 5 | 1550531 | Seat cover light complete SB34-36 ST42 | | 1 |
| 6 | 1550532 | Seat cover light complete SB34-36 ST44 | | 1 |
| 7 | 1550533 | Seat cover light complete SB34-36 ST46 | | 1 |
| 8 | 1550534 | Seat cover light complete SB38 ST34 | | 1 |
| 9 | 1550535 | Seat cover light complete SB38 ST36 | | 1 |
| 10 | 1550536 | Seat cover light complete SB38 ST38 | | 1 |
| 11 | 1550537 | Seat cover light complete SB38 ST40 | | 1 |
| 12 | 1550538 | Seat cover light complete SB38 ST42 | | 1 |
| 13 | 1550539 | Seat cover light complete SB38 ST44 | | 1 |
| 14 | 1550540 | Seat cover light complete SB38 ST46 | | 1 |
| 15 | 1550541 | Seat cover light complete SB40 ST34 | | 1 |
| 16 | 1550542 | Seat cover light complete SB40 ST36 | | 1 |
| 17 | 1550543 | Seat cover light complete SB40 ST38 | | 1 |
| 18 | 1550544 | Seat cover light complete SB40 ST40 | | 1 |
| 19 | 1550545 | Seat cover light complete SB40 ST42 | | 1 |
| 20 | 1550546 | Seat cover light complete SB40 ST44 | | 1 |
| 21 | 1550547 | Seat cover light complete SB40 ST46 | | 1 |
| 22 | 1550548 | Seat cover light complete SB42 ST34 | | 1 |
| 23 | 1550549 | Seat cover light complete SB42 ST36 | | 1 |
| 24 | 1550550 | Seat cover light complete SB42 ST38 | | 1 |
| 25 | 1550551 | Seat cover light complete SB42 ST40 | | 1 |
| 26 | 1550552 | Seat cover light complete SB42 ST42 | | 1 |
| 27 | 1550553 | Seat cover light complete SB42 ST44 | | 1 |
| 28 | 1550554 | Seat cover light complete SB42 ST46 | | 1 |
| 29 | 1550555 | Seat cover light complete SB44 ST34 | | 1 |
| 30 | 1550556 | Seat cover light complete SB44 ST36 | | 1 |
| 31 | 1550557 | Seat cover light complete SB44 ST38 | | 1 |

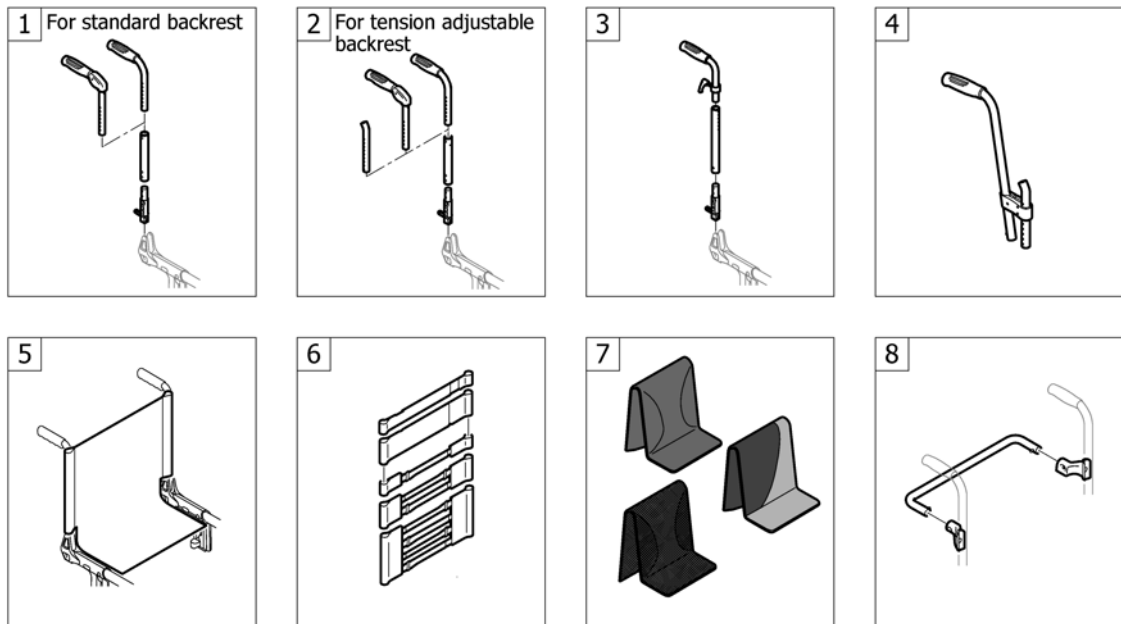
Seat cover light

| Pos. | Part number | Description | Valid from → until | Qty |
|------|-------------|--|--------------------|-----|
| 32 | 1550558 | Seat cover light complete SB44 ST40 | | 1 |
| 33 | 1550559 | Seat cover light complete SB44 ST42 | | 1 |
| 34 | 1550560 | Seat cover light complete SB44 ST44 | | 1 |
| 35 | 1550561 | Seat cover light complete SB44 ST46 | | 1 |
| 36 | 1550562 | Seat cover light complete SB46 ST34 | | 1 |
| 37 | 1550563 | Seat cover light complete SB46 ST36 | | 1 |
| 38 | 1550564 | Seat cover light complete SB46 ST38 | | 1 |
| 39 | 1550565 | Seat cover light complete SB46 ST40 | | 1 |
| 40 | 1550566 | Seat cover light complete SB46 ST42 | | 1 |
| 41 | 1550567 | Seat cover light complete SB46 ST44 | | 1 |
| 42 | 1550568 | Seat cover light complete SB46 ST46 | | 1 |
| 43 | - | Fixation seat cover with clothes-guard | | 1 |
| 44 | - | Fixation seat cover with mudguard | | 1 |
| 45 | - | Fixation seat cover with siderest | | 1 |

Seat cushion standard

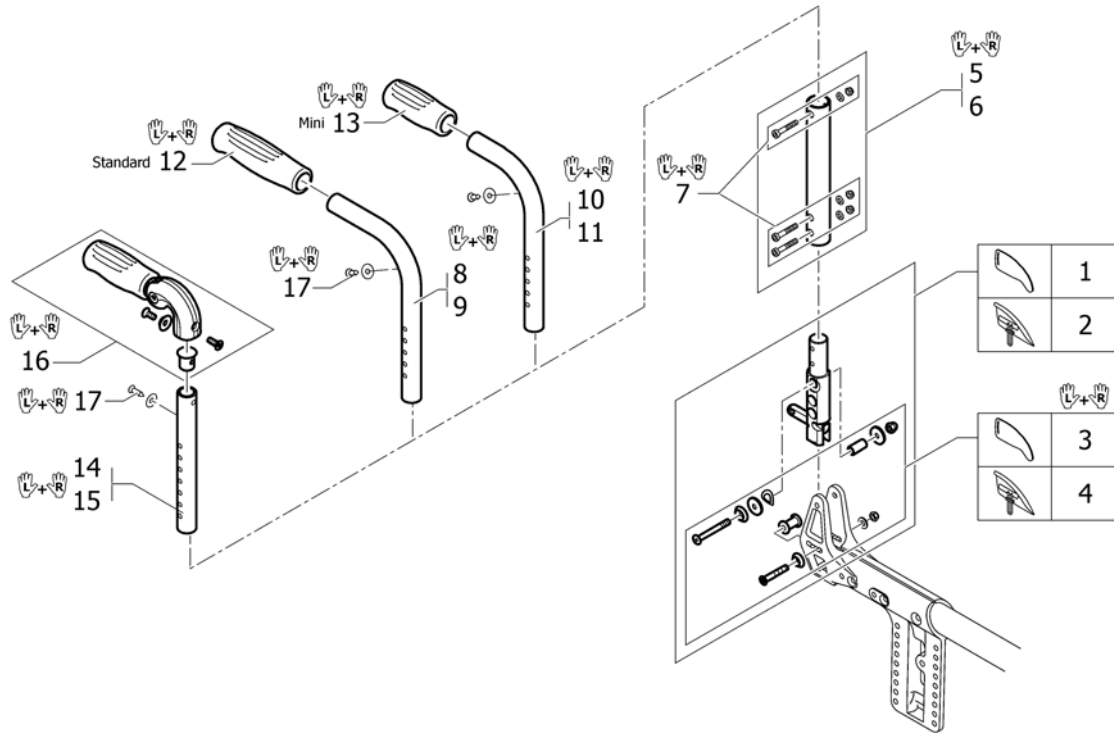
| Pos. | Part number | Description | Valid from → until | Qty |
|------|-------------|----------------------------|--------------------|-----|
| 1 | 1556325 | Seat cushion 340mm x 340mm | | 1 |
| 2 | 1556326 | Seat cushion 340mm x 360mm | | 1 |
| 3 | 1556327 | Seat cushion 340mm x 380mm | | 1 |
| 4 | 1556328 | Seat cushion 340mm x 400mm | | 1 |
| 5 | 1556329 | Seat cushion 340mm x 420mm | | 1 |
| 6 | 1556330 | Seat cushion 340mm x 440mm | | 1 |
| 7 | 1556331 | Seat cushion 340mm x 460mm | | 1 |
| 8 | 1556335 | Seat cushion 360mm x 360mm | | 1 |
| 9 | 1556336 | Seat cushion 360mm x 380mm | | 1 |
| 10 | 1556337 | Seat cushion 360mm x 400mm | | 1 |
| 11 | 1556338 | Seat cushion 360mm x 420mm | | 1 |
| 12 | 1556339 | Seat cushion 360mm x 440mm | | 1 |
| 13 | 1556340 | Seat cushion 360mm x 460mm | | 1 |
| 14 | 1556344 | Seat cushion 380mm x 380mm | | 1 |
| 15 | 1556345 | Seat cushion 380mm x 400mm | | 1 |
| 16 | 1556346 | Seat cushion 380mm x 420mm | | 1 |
| 17 | 1556347 | Seat cushion 380mm x 440mm | | 1 |
| 18 | 1556348 | Seat cushion 380mm x 460mm | | 1 |
| 19 | 1556352 | Seat cushion 400mm x 400mm | | 1 |
| 20 | 1556353 | Seat cushion 400mm x 420mm | | 1 |
| 21 | 1556354 | Seat cushion 400mm x 440mm | | 1 |
| 22 | 1556355 | Seat cushion 400mm x 460mm | | 1 |
| 23 | 1556359 | Seat cushion 420mm x 420mm | | 1 |
| 24 | 1556360 | Seat cushion 420mm x 440mm | | 1 |
| 25 | 1556361 | Seat cushion 420mm x 460mm | | 1 |
| 26 | 1556365 | Seat cushion 440mm x 440mm | | 1 |
| 27 | 1556366 | Seat cushion 440mm x 460mm | | 1 |
| 28 | 1556370 | Seat cushion 460mm x 460mm | | 1 |

BACKREST



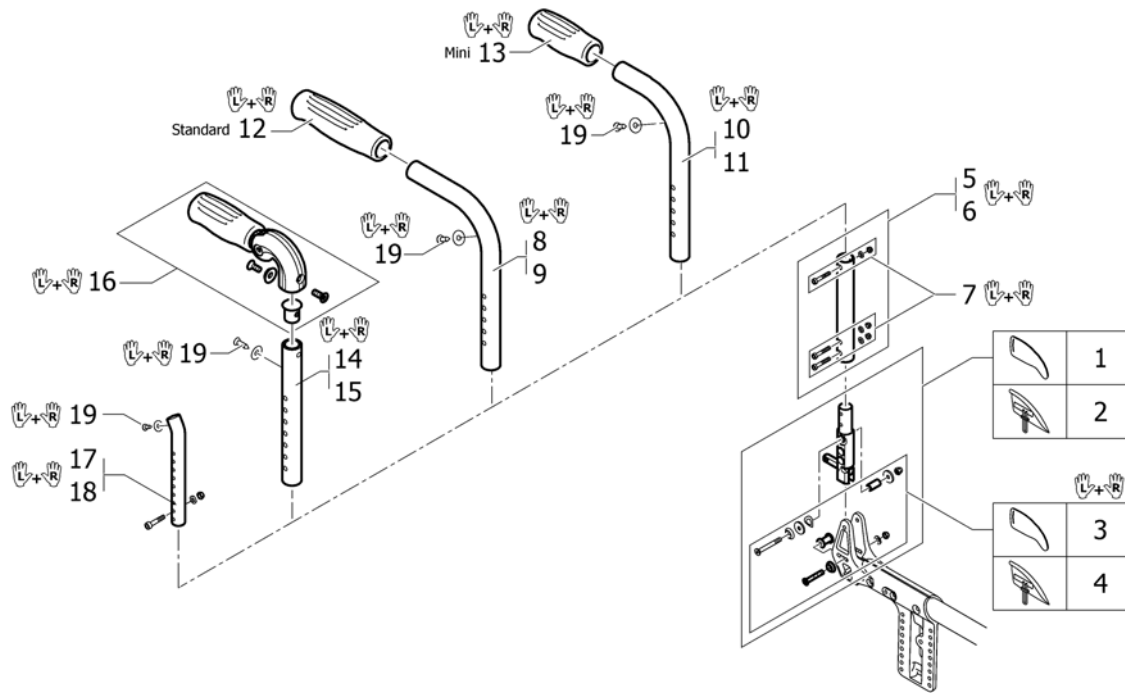
| Pos. | Part number | Description | Valid from → until | Qty |
|------|-------------|---|--------------------|-----|
| 1 | - | Push handles to standard backrest | | 1 |
| 2 | - | Push handles to tension adjustable backrest | | 1 |
| 3 | - | Push handles height adjustable | 2011-01-01 → | 1 |
| 4 | - | Push handles, height adjustable, rear set | | 1 |
| 5 | - | Backrest cover, standard | | 1 |
| 6 | - | Bands to adjustable backrest | | 1 |
| 7 | - | Backrest cover, tension adjustable | | 1 |
| 8 | - | Backrest stabilization bar | | 1 |

Push handles to standard backrest



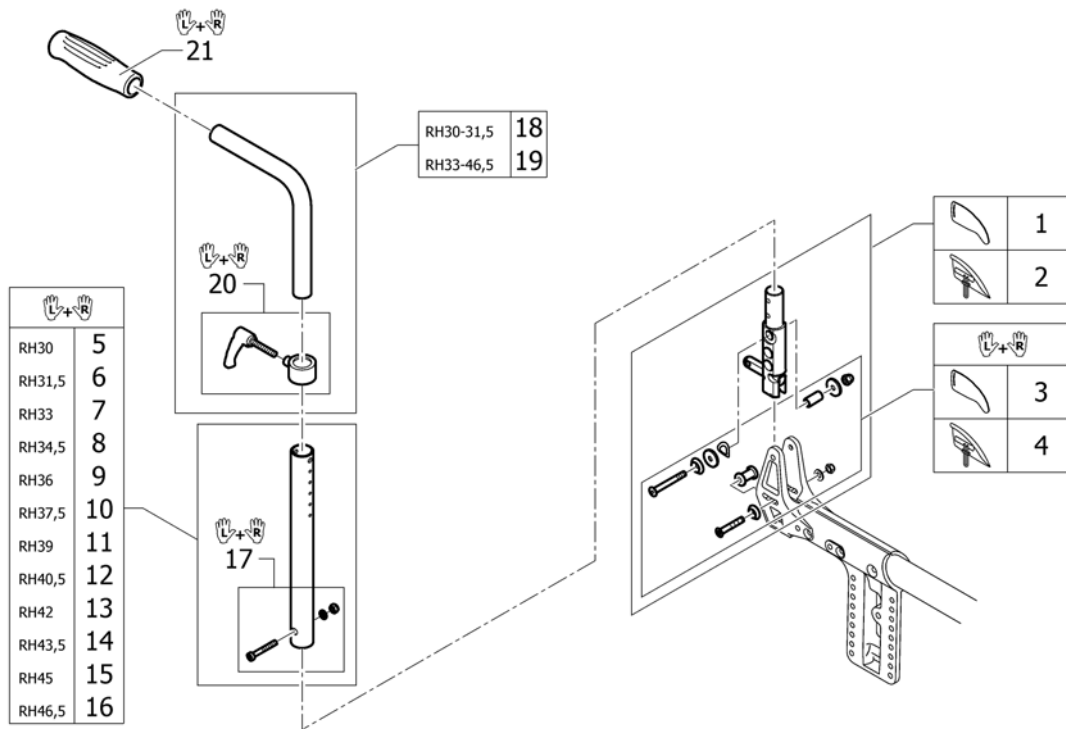
| Pos. | Part number | Description | Valid from → until | Qty |
|------|-------------|---|--------------------|-----|
| 1 | 1516359 | Latch bolt with fixation to clothes-guard | | 2 |
| 2 | 1512036 | Latch bolt with fixation to mudguard | | 2 |
| 3 | 1516361 | Fixation kit to latch bolt to clothes-guard | | 1 |
| 4 | 1512122 | Fixation kit to latch bolt to mudguard | | 1 |
| 5 | 1512037 | Intermediate tube, kit short | | 1 |
| 6 | 1512038 | Intermediate tube, kit long | | 1 |
| 7 | 1512123 | Fixation kit to intermediate tube | | 1 |
| 8 | 1512039 | Push handles short, pair | | 1 |
| 9 | 1512040 | Push handles long, pair | | 1 |
| 10 | 1525326 | Backrest tube mini, short, pair | | 1 |
| 11 | 1525327 | Backrest tube mini, long, pair | | 1 |
| 12 | 1507734 | Handle black, pair | | 1 |
| 13 | 1525126 | Handle black, mini, pair | | 1 |
| 14 | 1512043 | Telescopic tube, short, to foldable push handle, pair | | 1 |
| 15 | 1512044 | Telescopic tube, long, to foldable push handle, pair | | 1 |
| 16 | 1507733 | Push handles foldable, pair | | 1 |
| 17 | 1432083 | Fixation kit for backrest band | | 1 |

Push handles to tension adjustable backrest



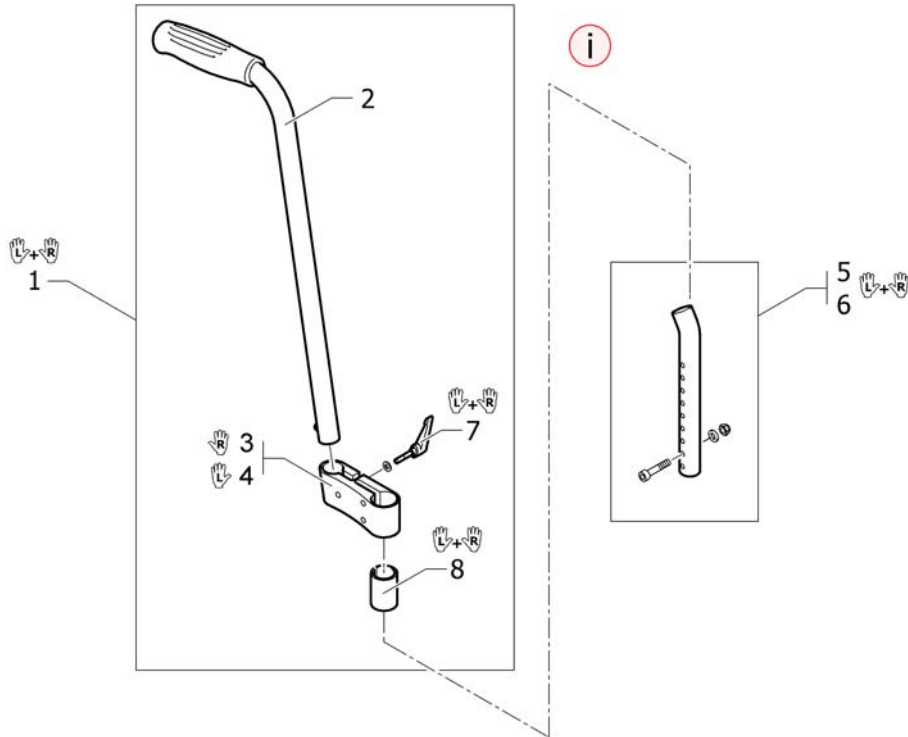
| Pos. | Part number | Description | Valid from → until | Qty |
|------|-------------|---|--------------------|-----|
| 1 | 1516359 | Latch bolt with fixation to clothes-guard | | 2 |
| 2 | 1512036 | Latch bolt with fixation to mudguard | | 2 |
| 3 | 1516361 | Fixation kit to latch bolt to clothes-guard | | 1 |
| 4 | 1512122 | Fixation kit to latch bolt to mudguard | | 1 |
| 5 | 1512037 | Intermediate tube, kit short | | 1 |
| 6 | 1512038 | Intermediate tube, kit long | | 1 |
| 7 | 1512123 | Fixation kit to intermediate tube | | 1 |
| 8 | 1512039 | Push handles short, pair | | 1 |
| 9 | 1512040 | Push handles long, pair | | 1 |
| 10 | 1525326 | Backrest tube mini, short, pair | | 1 |
| 11 | 1525327 | Backrest tube mini, long, pair | | 1 |
| 12 | 1507734 | Handle black, pair | | 1 |
| 13 | 1525126 | Handle black, mini, pair | | 1 |
| 14 | 1512043 | Telescopic tube, short, to foldable push handle, pair | | 1 |
| 15 | 1512044 | Telescopic tube, long, to foldable push handle, pair | | 1 |
| 16 | 1507733 | Push handles foldable, pair | | 1 |
| 17 | 1512041 | Telescopic tube, bended, short, pair | | 1 |
| 18 | 1512042 | Telescopic tube, bended, long, pair | | 1 |
| 19 | 1432083 | Fixation kit for backrest band | | 1 |

Push handles height adjustable



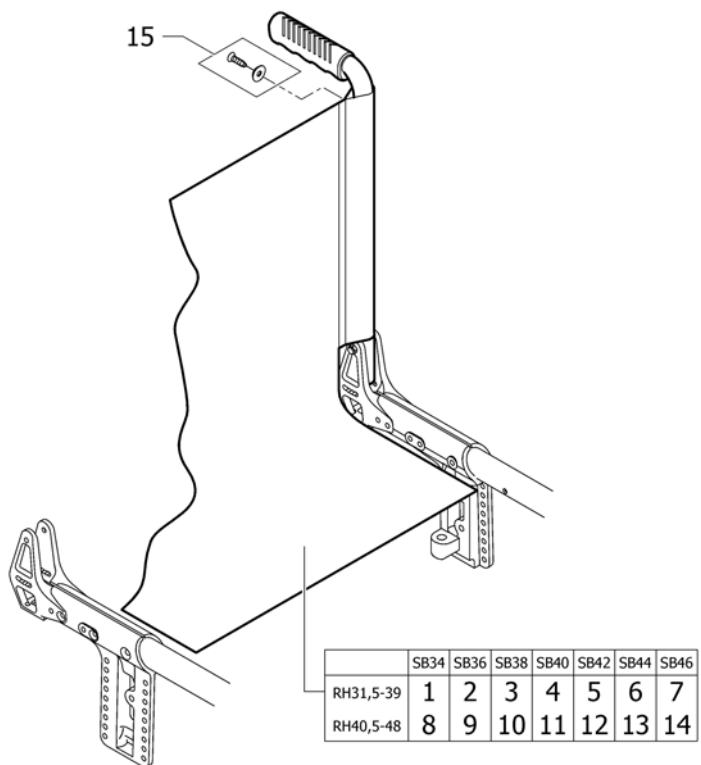
| Pos. | Part number | Description | Valid from → until | Qty |
|------|-------------|---|--------------------|-----|
| 1 | 1516359 | Latch bolt with fixation to clothes-guard | | 2 |
| 2 | 1512036 | Latch bolt with fixation to mudguard | | 2 |
| 3 | 1516361 | Fixation kit to latch bolt to clothes-guard | | 1 |
| 4 | 1512122 | Fixation kit to latch bolt to mudguard | | 1 |
| 5 | 1507752 | Backrest tube L.265mm straight to integrated push handles, pair | | 1 |
| 6 | 1507753 | Backrest tube L.280mm straight to integrated push handles, pair | | 1 |
| 7 | 1507862 | Backrest tube L.295mm straight to integrated push handles, pair | | 1 |
| 8 | 1508438 | Backrest tube L.310mm straight to integrated push handles, pair | | 1 |
| 9 | 1508466 | Backrest tube L.325mm straight to integrated push handles, pair | | 1 |
| 10 | 1508498 | Backrest tube L.340mm straight to integrated push handles, pair | | 1 |
| 11 | 1509103 | Backrest tube L.355mm straight to integrated push handles, pair | | 1 |
| 12 | 1509104 | Backrest tube L.370mm straight to integrated push handles, pair | | 1 |
| 13 | 1509105 | Backrest tube L.385mm straight to integrated push handles, pair | | 1 |
| 14 | 1509106 | Backrest tube L.400mm straight to integrated push handles, pair | | 1 |
| 15 | 1509107 | Backrest tube L.415mm straight to integrated push handles, pair | | 1 |
| 16 | 1509108 | Backrest tube L.430mm straight to integrated push handles, pair | | 1 |
| 17 | 1509136 | Screw kit for backrest tube | | 1 |
| 18 | 1438203 | Height adjustable, integrated push handles standard, kit short UL/C04 | | 1 |
| 19 | 1438204 | Height adjustable, integrated push handles standard, kit long UL/C04 | | 1 |
| 20 | 1549985 | Adjusting lever for height adjustable, integrated push handles, pair | | 1 |
| 21 | 1507734 | Handle black, pair | | 1 |

Push handles, height adjustable, rear set



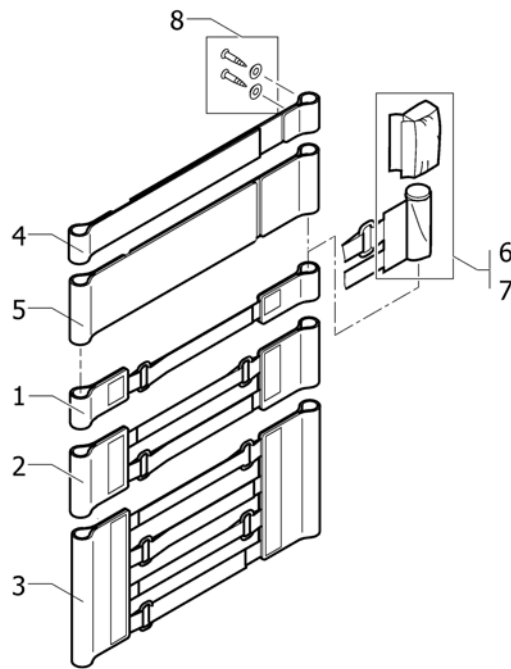
| Pos. | Part number | Description | Valid from → until | Qty |
|------|----------------|---|--------------------|-----|
| i | ISPDINFC1-0009 | Only possible with backrest tension adjustable | | 0 |
| 1 | 1517876 | Push handles, height adjustable, rear set, pair <i>Replaces 907.1157</i> | | 1 |
| 2 | 1438938 | Push handle tube complete, rearset | | 2 |
| 3 | 1438939 | Mounting fixture right complete, for rearset push handles | | 1 |
| 4 | 1438940 | Mounting fixture left complete, for rearset push handles | | 1 |
| 5 | 1512041 | Telescopic tube, bended, short, pair | | 1 |
| 6 | 1512042 | Telescopic tube, bended, long, pair | | 1 |
| 7 | 1529799 | Adjusting lever, pair | | 1 |
| 8 | 1581293 | Sleeves for mounting fixture, for rearset push handles, pair | | 2 |

Backrest cover, standard

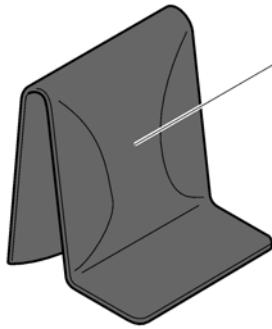


| Pos. | Part number | Description | Valid from → until | Qty |
|------|-------------|--------------------------------|--------------------|-----|
| 1 | 1512110 | Backrest cover short SB34 | | 1 |
| 2 | 1512111 | Backrest cover short SB36 | | 1 |
| 3 | 1512112 | Backrest cover short SB38 | | 1 |
| 4 | 1512113 | Backrest cover short SB40 | | 1 |
| 5 | 1512114 | Backrest cover short SB42 | | 1 |
| 6 | 1512115 | Backrest cover short SB44 | | 1 |
| 7 | 1517646 | Backrest cover short SB46 | | 1 |
| 8 | 1512116 | Backrest cover long SB34 | | 1 |
| 9 | 1512117 | Backrest cover long SB36 | | 1 |
| 10 | 1512118 | Backrest cover long SB38 | | 1 |
| 11 | 1512119 | Backrest cover long SB40 | | 1 |
| 12 | 1512120 | Backrest cover long SB42 | | 1 |
| 13 | 1512121 | Backrest cover long SB44 | | 1 |
| 14 | 1517647 | Backrest cover long SB46 | | 1 |
| 15 | 1432083 | Fixation kit for backrest band | | 1 |

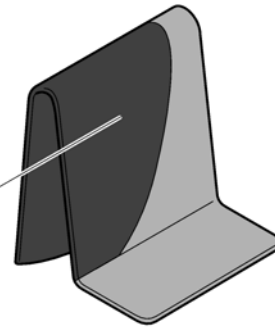
Bands to adjustable backrest



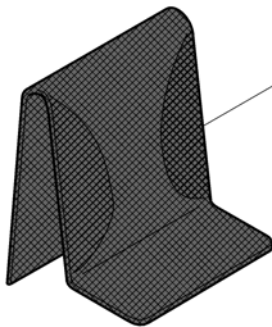
| Pos. | Part number | Description | Valid from → until | Qty |
|------|-------------|---|--------------------|-----|
| 1 | 1513167 | Velcro adjustment part with 1 strap, pair <i>Replaces 1439291</i> | | 2 |
| 2 | 1513168 | Velcro adjustment strap with 2 straps, pair <i>Replaces 707.1088</i> | | 2 |
| 3 | 1513169 | Velcro adjustment strap with 4 straps, pair <i>Replaces 707.1087</i> | | 2 |
| 4 | 1513170 | Backrest band 2 parts, width: 5cm <i>Replaces 709.1009</i> | | 1 |
| 5 | 1513171 | Backrest band 2 parts, width: 10cm <i>Replaces 709.1018</i> | | 1 |
| 6 | 1513172 | Velcro end part, 5 cm <i>Replaces 1416975</i> | | 1 |
| 7 | 1513173 | Velcro end part, 10cm <i>Replaces 1416974</i> | | 1 |
| 8 | 1432083 | Fixation kit for backrest band | | 1 |

Backrest cover, tension adjustable

| Standard | SB34 | SB36-38 | SB40-42 | SB44-46 |
|--------------|------|---------|---------|---------|
| RH 30-33 | 1 | 2 | 3 | 4 |
| RH 34,5-42 | 5 | 6 | 7 | 8 |
| RH 43,5-46,5 | 9 | 10 | 11 | 12 |



| Std. (black / grey) | SB34 | SB36-38 | SB40-42 | SB44-46 |
|---------------------|------|---------|---------|---------|
| RH 30-33 | 13 | 14 | 15 | 16 |
| RH 34,5-42 | 17 | 18 | 19 | 20 |
| RH 43,5-46,5 | 21 | 22 | 23 | 24 |



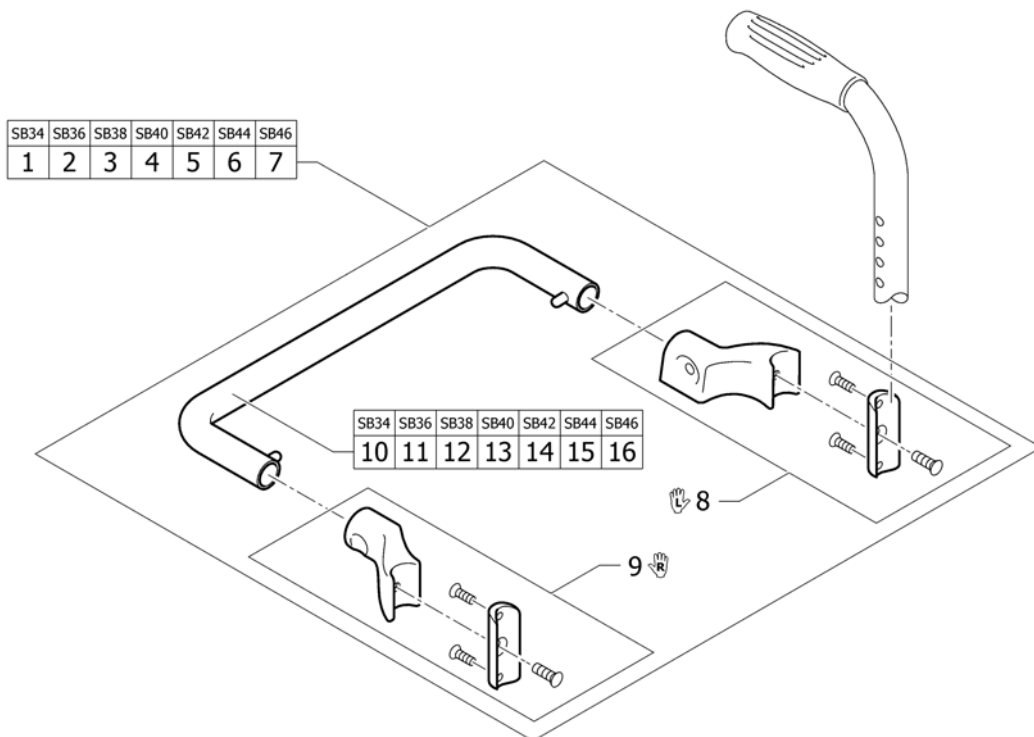
| AeroBack | SB34 | SB36-38 | SB40-42 | SB44-46 |
|--------------|------|---------|---------|---------|
| RH 30-33 | 25 | 26 | 27 | 28 |
| RH 34,5-42 | 29 | 30 | 31 | 32 |
| RH 43,5-46,5 | 33 | 34 | 35 | 36 |

| Pos. | Part number | Description | Valid from → until | Qty |
|------|-------------|--|-------------------------|-----|
| 1 | 1512137 | Cover to adjustable backrest, SB32-34, short | 2007-10-01 → 2011-12-31 | 1 |
| 2 | 1512138 | Cover to adjustable backrest, SB36-38, short | 2007-10-01 → 2011-12-31 | 1 |
| 3 | 1512139 | Cover to adjustable backrest, SB40-42, short | 2007-10-01 → 2011-12-31 | 1 |
| 4 | 1512140 | Cover to adjustable backrest, SB44-46, short | 2007-10-01 → 2011-12-31 | 1 |
| 5 | 1512144 | Cover to adjustable backrest, SB32-34, medium | 2007-10-01 → 2011-12-31 | 1 |
| 6 | 1512145 | Cover to adjustable backrest, SB36-38, medium | 2007-10-01 → 2011-12-31 | 1 |
| 7 | 1512146 | Cover to adjustable backrest, SB40-42, medium | 2007-10-01 → 2011-12-31 | 1 |
| 8 | 1512147 | Cover to adjustable backrest, SB44-46, medium | 2007-10-01 → 2011-12-31 | 1 |
| 9 | 1512151 | Cover to adjustable backrest, SB32-34, long | 2007-10-01 → 2011-12-31 | 1 |
| 10 | 1512152 | Cover to adjustable backrest, SB36-38, long | 2007-10-01 → 2011-12-31 | 1 |
| 11 | 1512153 | Cover to adjustable backrest, SB40-42, long | 2007-10-01 → 2011-12-31 | 1 |
| 12 | 1512154 | Cover to adjustable backrest, SB44-46, long | 2007-10-01 → 2011-12-31 | 1 |
| 13 | 1547153 | Cover black and grey to adjustable backrest, SB32-34, short | 2011-11-01 → | 1 |
| 14 | 1547154 | Cover black and grey to adjustable backrest, SB36-38, short | 2011-11-01 → | 1 |
| 15 | 1547155 | Cover black and grey to adjustable backrest, SB40-42, short | 2011-11-01 → | 1 |
| 16 | 1547156 | Cover black and grey to adjustable backrest, SB44-46, short | 2011-11-01 → | 1 |
| 17 | 1547158 | Cover black and grey to adjustable backrest, SB32-34, medium | 2011-11-01 → | 1 |
| 18 | 1547159 | Cover black and grey to adjustable backrest, SB36-38, medium | 2011-11-01 → | 1 |
| 19 | 1547160 | Cover black and grey to adjustable backrest, SB40-42, medium | 2011-11-01 → | 1 |
| 20 | 1547161 | Cover black and grey to adjustable backrest, SB44-46, medium | 2011-11-01 → | 1 |
| 21 | 1547163 | Cover black and grey to adjustable backrest, SB32-34, long | 2011-11-01 → | 1 |
| 22 | 1547164 | Cover black and grey to adjustable backrest, SB36-38, long | 2011-11-01 → | 1 |

Backrest cover, tension adjustable

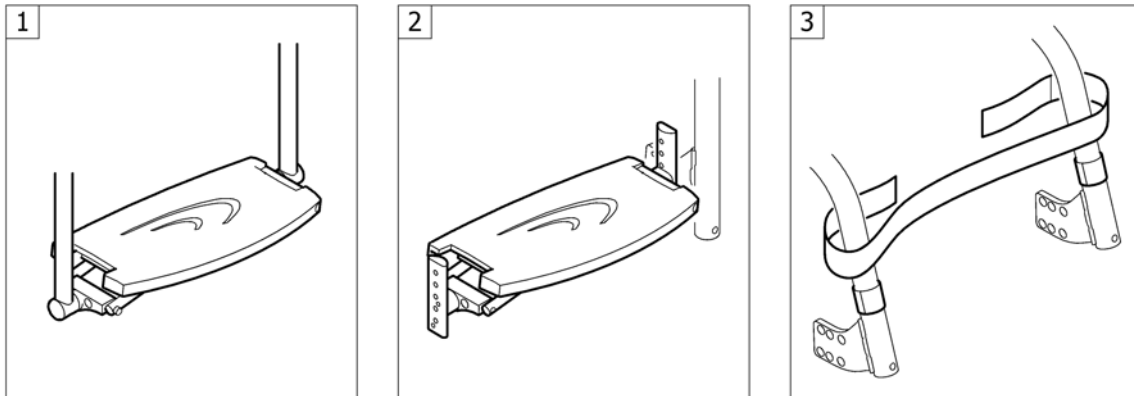
| Pos. | Part number | Description | Valid from → until | Qty |
|------|-------------|--|--------------------|-----|
| 23 | 1547165 | Cover black and grey to adjustable backrest, SB40-42, long | 2011-11-01 → | 1 |
| 24 | 1547166 | Cover black and grey to adjustable backrest, SB44-46, long | 2011-11-01 → | 1 |
| 25 | 1512156 | Cover 'Aero' to adjustable backrest, SB32-34, short | | 1 |
| 26 | 1512157 | Cover 'Aero' to adjustable backrest, SB36-38, short | | 1 |
| 27 | 1512158 | Cover 'Aero' to adjustable backrest, SB40-42, short | | 1 |
| 28 | 1512159 | Cover 'Aero' to adjustable backrest, SB44-46, short | | 1 |
| 29 | 1512161 | Cover 'Aero' to adjustable backrest, SB32-34, medium | | 1 |
| 30 | 1512162 | Cover 'Aero' to adjustable backrest, SB36-38, medium | | 1 |
| 31 | 1512163 | Cover 'Aero' to adjustable backrest, SB40-42, medium | | 1 |
| 32 | 1512164 | Cover 'Aero' to adjustable backrest, SB44-46, medium | | 1 |
| 33 | 1512166 | Cover 'Aero' to adjustable backrest, SB32-34, long | | 1 |
| 34 | 1512167 | Cover 'Aero' to adjustable backrest, SB36-38, long | | 1 |
| 35 | 1512168 | Cover 'Aero' to adjustable backrest, SB40-42, long | | 1 |
| 36 | 1512169 | Cover 'Aero' to adjustable backrest, SB44-46, long | | 1 |

Backrest stabilization bar

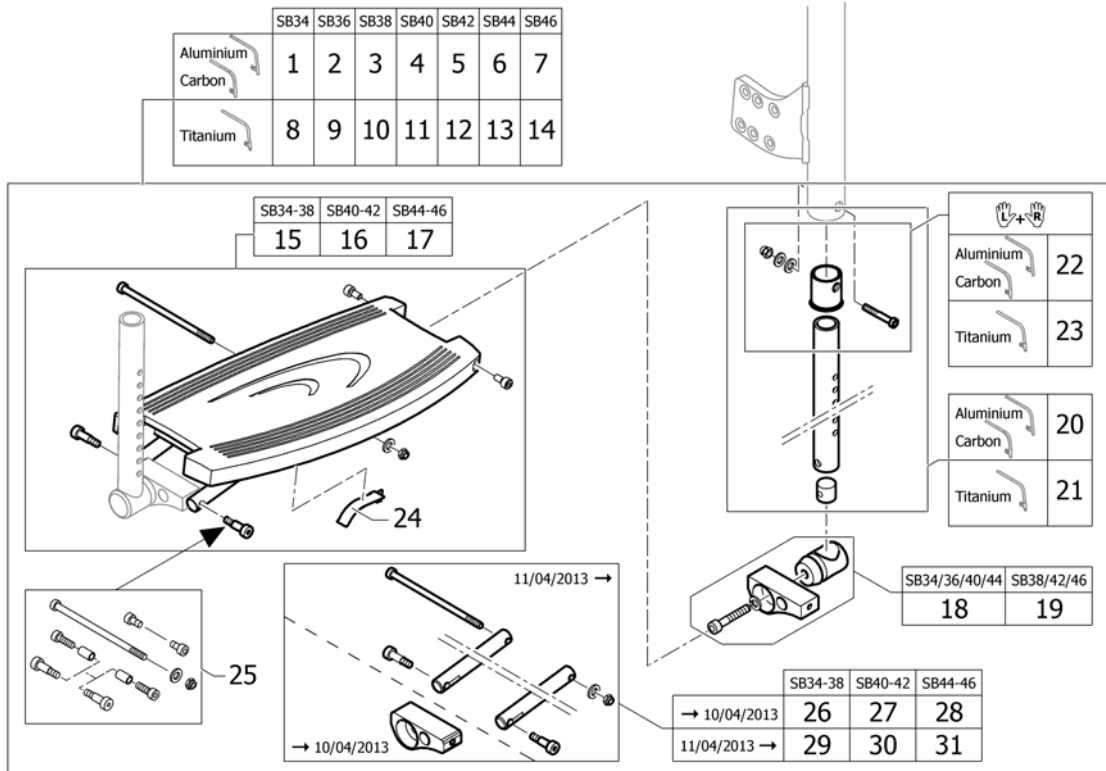


| Pos. | Part number | Description | Valid from → until | Qty |
|------|-------------|--|--------------------|-----|
| 1 | 1512045 | Stabilizing bar complete SB34 | | 1 |
| 2 | 1512046 | Stabilizing bar complete SB36 | | 1 |
| 3 | 1512047 | Stabilizing bar complete SB38 | | 1 |
| 4 | 1512048 | Stabilizing bar complete SB40 | | 1 |
| 5 | 1512049 | Stabilizing bar complete SB42 | | 1 |
| 6 | 1512050 | Stabilizing bar complete SB44 | | 1 |
| 7 | 1512051 | Stabilizing bar complete SB46 | | 1 |
| 8 | 1512093 | Fixation kit to stabilizing bar, left | | 1 |
| 9 | 1512094 | Fixation kit to stabilizing bar, right | | 1 |
| 10 | 1512095 | Stabilizing bar SB34 | | 1 |
| 11 | 1512096 | Stabilizing bar SB36 | | 1 |
| 12 | 1512097 | Stabilizing bar SB38 | | 1 |
| 13 | 1512098 | Stabilizing bar SB40 | | 1 |
| 14 | 1512099 | Stabilizing bar SB42 | | 1 |
| 15 | 1512100 | Stabilizing bar SB44 | | 1 |
| 16 | 1512101 | Stabilizing bar SB46 | | 1 |

FOOTREST



| Pos. | Part number | Description | Valid from → until | Qty |
|------|-------------|------------------------|--------------------|-----|
| 1 | - | Footrest | | 1 |
| 2 | - | Footrest, high mounted | | 1 |
| 3 | - | Calf strap | | 1 |

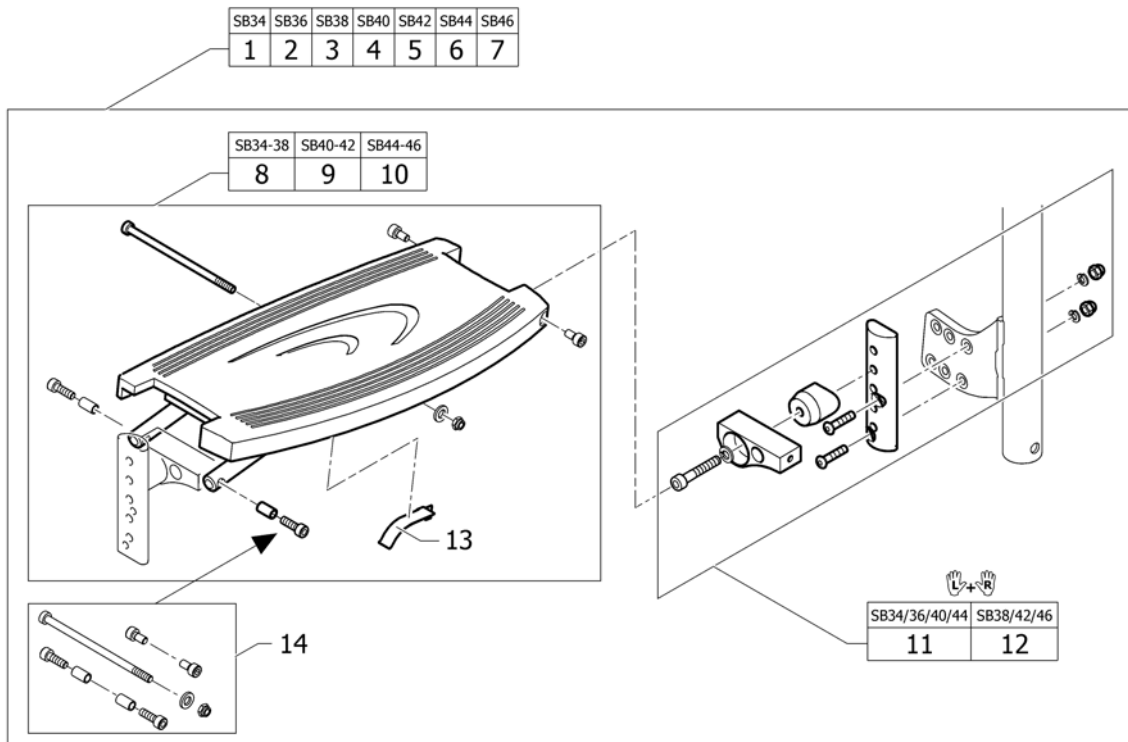


| Pos. | Part number | Description | Valid from → until | Qty |
|------|-------------|--|----------------------------|-----|
| 1 | 1512171 | Footrest complete SB34 | | 1 |
| 2 | 1512172 | Footrest complete SB36 | | 1 |
| 3 | 1512173 | Footrest complete SB38 | | 1 |
| 4 | 1512174 | Footrest complete SB40 | | 1 |
| 5 | 1512175 | Footrest complete SB42 | | 1 |
| 6 | 1512176 | Footrest complete SB44 | | 1 |
| 7 | 1517650 | Footrest complete SB46 | | 1 |
| 8 | 1559072 | Footrest complete SB34 for Titanium frames | | 1 |
| 9 | 1559073 | Footrest complete SB36 for Titanium frames | | 1 |
| 10 | 1559074 | Footrest complete SB38 for Titanium frames | | 1 |
| 11 | 1559075 | Footrest complete SB40 for Titanium frames | | 1 |
| 12 | 1559076 | Footrest complete SB42 for Titanium frames | | 1 |
| 13 | 1559077 | Footrest complete SB44 for Titanium frames | | 1 |
| 14 | 1559078 | Footrest complete SB46 for Titanium frames | | 1 |
| 15 | 1512177 | Footrest narrow | | 1 |
| 16 | 1512178 | Footrest medium | | 1 |
| 17 | 1512179 | Footrest wide | | 1 |
| 18 | 1432086 | Lateral fixation, conical, short | | 2 |
| 19 | 1432087 | Lateral fixation, conical, long | | 2 |
| 20 | 1432085 | Telescopic kit, footplate | | 2 |
| 21 | 1559079 | Telescopic kit, footplate for Titanium frames | | 2 |
| 22 | 1559080 | Footrest sleeve Alu frame | | 1 |
| 23 | 1559081 | Footrest sleeve Titanium frame | | 1 |
| 24 | 1513175 | spring, folding aid Champion2003 | | 1 |
| 25 | 1432123 | Fixation kit for footplate | | 1 |
| 26 | 1579073 | Tube short for footplate joint, pair =>10/04/2013 | 2007-10-01 → 2013-04-10 | 1 |
| 27 | 1579074 | Tube medium for footplate joint, pair =>10/04/2013 | 2007-10-01 → 2013-04-10 | 1 |
| 28 | 1579075 | Tube long for footplate joint, pair =>10/04/2013 | 2007-10-01 → 2013-04-10 | 1 |
| 29 | 1579076 | Tube short for footplate joint, pair 11/04/2013=> | 2013-04-11 → | 1 |

Footrest

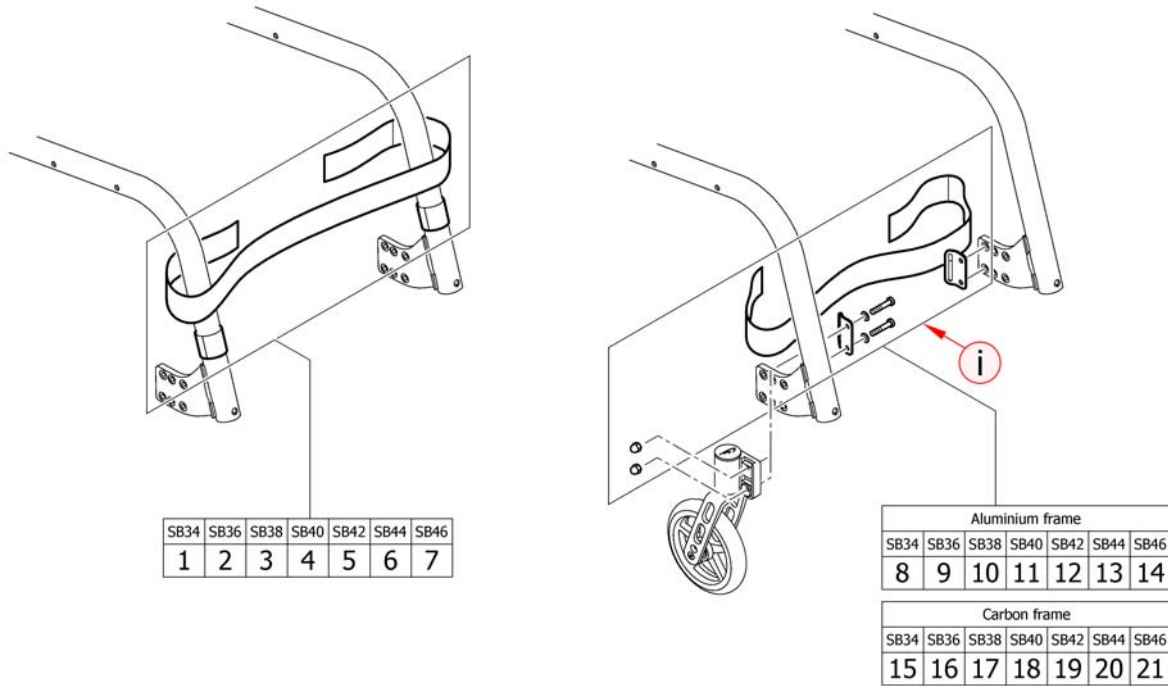
| Pos. | Part number | Description | Valid from → until | Qty |
|------|-------------|--|--------------------|-----|
| 30 | 1579077 | Tube medium for footplate joint, pair 11/04/2013=> | 2013-04-11 → | 1 |
| 31 | 1579078 | Tube long for footplate joint, pair 11/04/2013=> | 2013-04-11 → | 1 |

Footrest, high mounted

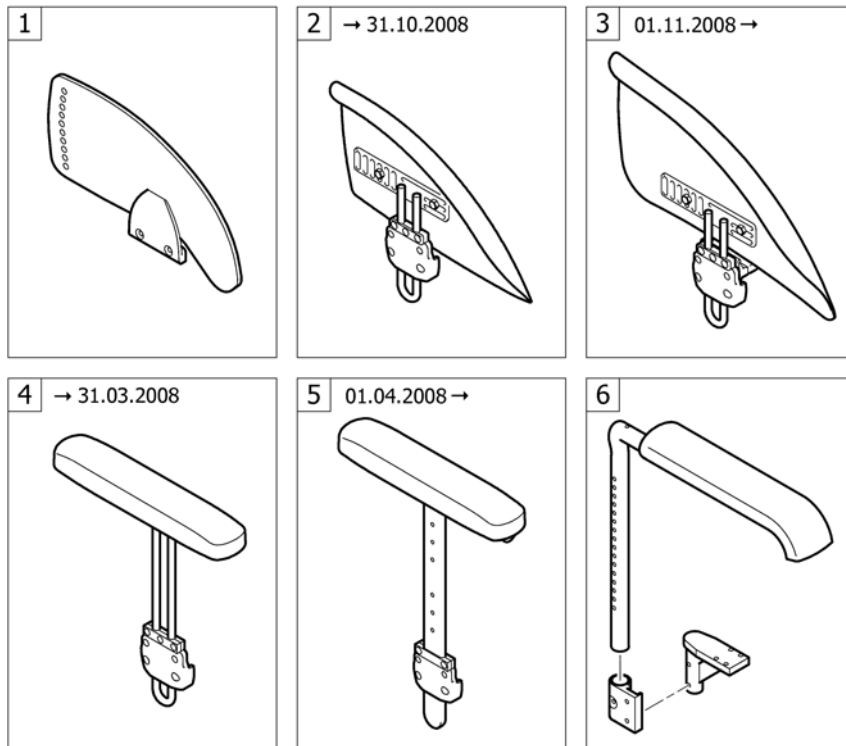


| Pos. | Part number | Description | Valid from → until | Qty |
|------|-------------|--|--------------------|-----|
| 1 | 1516381 | Footrest, high mounted, complete SB34 | | 1 |
| 2 | 1516382 | Footrest, high mounted, complete SB36 | | 1 |
| 3 | 1516383 | Footrest, high mounted, complete SB38 | | 1 |
| 4 | 1516384 | Footrest, high mounted, complete SB40 | | 1 |
| 5 | 1516385 | Footrest, high mounted, complete SB42 | | 1 |
| 6 | 1516386 | Footrest, high mounted, complete SB44 | | 1 |
| 7 | 1517651 | Footrest, high mounted, complete SB46 | | 1 |
| 8 | 1512177 | Footrest narrow | | 1 |
| 9 | 1512178 | Footrest medium | | 1 |
| 10 | 1512179 | Footrest wide | | 1 |
| 11 | 1516388 | Lateral fixation short to footrest, high mounted | | 1 |
| 12 | 1516389 | Lateral fixation long to footrest, high mounted | | 1 |
| 13 | 1513175 | spring, folding aid Champion2003 | | 1 |
| 14 | 1432123 | Fixation kit for footplate | | 1 |

Calf strap

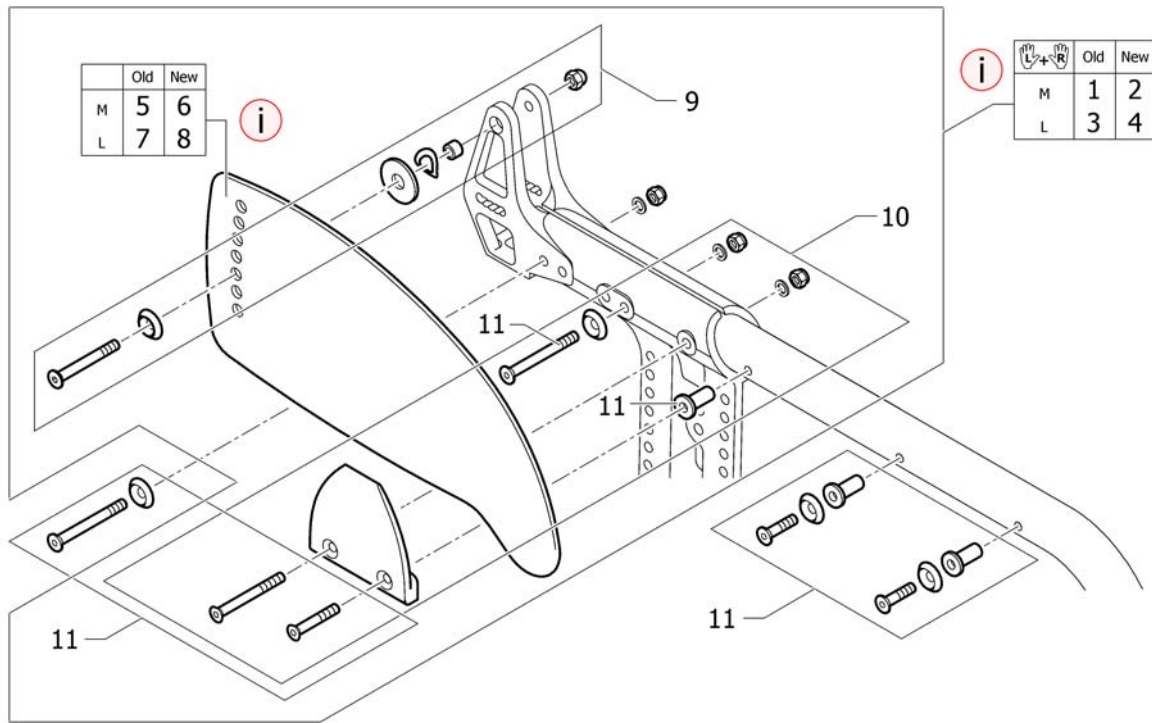


| Pos. | Part number | Description | Valid from → until | Qty |
|------|-------------|--|--------------------|-----|
| i | - | Not possible with high mounted footrest | | 0 |
| 1 | 1512061 | Calf strap complete, assembled to the frame SB34 | | 1 |
| 2 | 1512062 | Calf strap complete, assembled to the frame SB36 | | 1 |
| 3 | 1512063 | Calf strap complete, assembled to the frame SB38 | | 1 |
| 4 | 1512064 | Calf strap complete, assembled to the frame SB40 | | 1 |
| 5 | 1512065 | Calf strap complete, assembled to the frame SB42 | | 1 |
| 6 | 1512066 | Calf strap complete, assembled to the frame SB44 | | 1 |
| 7 | 1512067 | Calf strap complete, assembled to the frame SB46 | | 1 |
| 8 | 1512068 | Calf strap, assembled to the supporter, Aluminium SB34 | | 1 |
| 9 | 1512069 | Calf strap, assembled to the supporter, Aluminium SB36 | | 1 |
| 10 | 1512070 | Calf strap, assembled to the supporter, Aluminium SB38 | | 1 |
| 11 | 1512071 | Calf strap, assembled to the supporter, Aluminium SB40 | | 1 |
| 12 | 1512072 | Calf strap, assembled to the supporter, Aluminium SB42 | | 1 |
| 13 | 1512073 | Calf strap, assembled to the supporter, Aluminium SB44 | | 1 |
| 14 | 1512074 | Calf strap, assembled to the supporter, Aluminium SB46 | | 1 |
| 15 | 1516266 | Calf strap, assembled to the supporter, Carbon SB34 | | 1 |
| 16 | 1516267 | Calf strap, assembled to the supporter, Carbon SB36 | | 1 |
| 17 | 1516355 | Calf strap, assembled to the supporter, Carbon SB38 | | 1 |
| 18 | 1516356 | Calf strap, assembled to the supporter, Carbon SB40 | | 1 |
| 19 | 1516357 | Calf strap, assembled to the supporter, Carbon SB42 | | 1 |
| 20 | 1516358 | Calf strap, assembled to the supporter, Carbon SB44 | | 1 |
| 21 | 1517654 | Calf strap, assembled to the supporter, Carbon SB46 | | 1 |

SIDERESTS

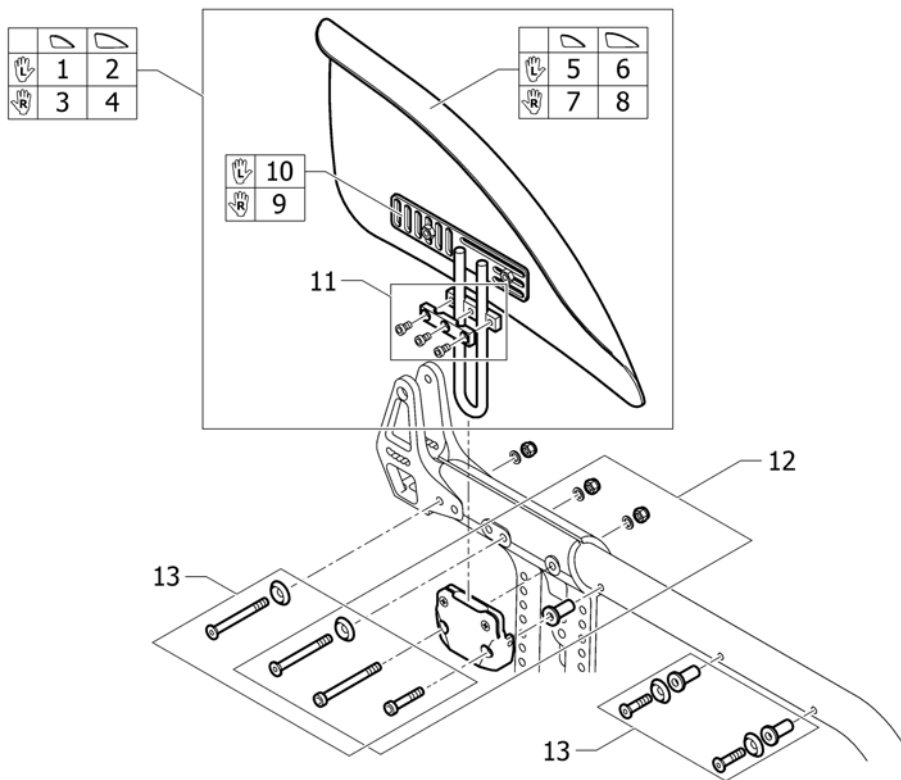
| Pos. | Part number | Description | Valid from → until | Qty |
|------|-------------|---|--------------------|-----|
| 1 | - | Clothes-guards | | 1 |
| 3 | - | Mudguards 01.11.2008=> | 2008-11-01 → | 1 |
| 5 | - | Siderest height adjustable 01.04.2008=> | 2008-04-01 → | 1 |
| 6 | - | Tubular armrest | 2008-07-01 → | 1 |

Clothes-guards



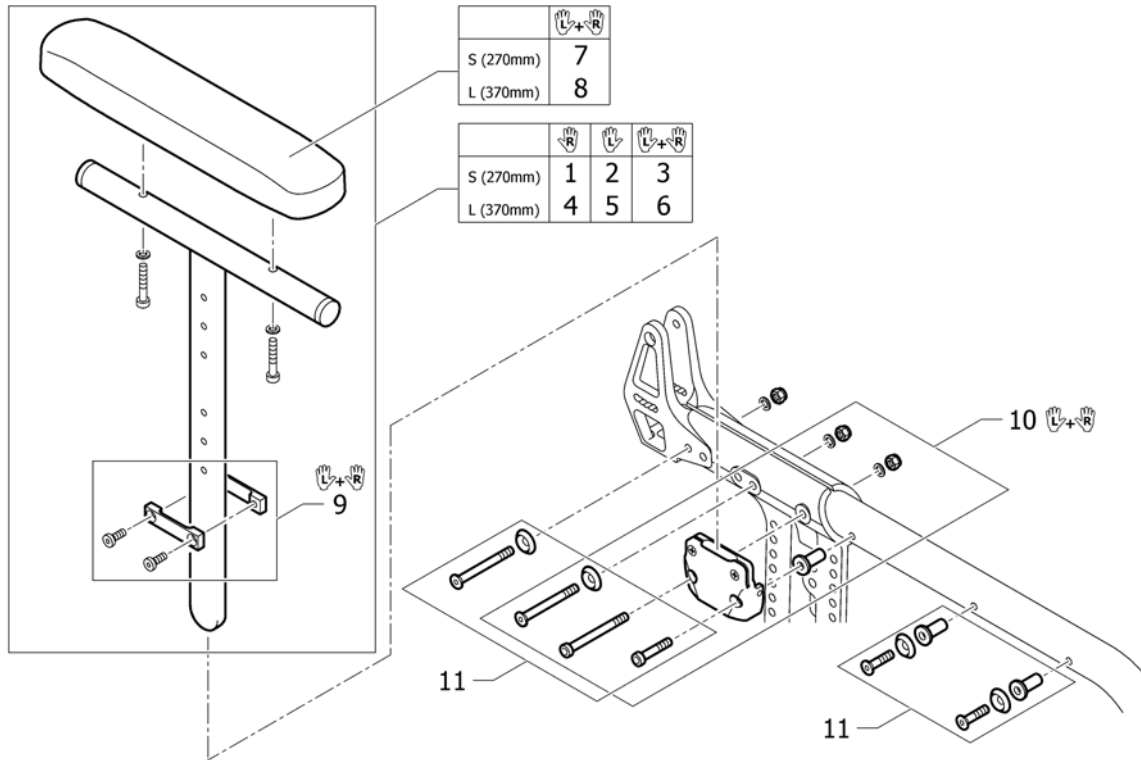
| Pos. | Part number | Description | Valid from → until | Qty |
|------|-------------|---|--------------------|-----|
| i | - | New design with improved profile ensures better coverage. Recommended as a pair. | | 0 |
| 2 | 1527106 | Clothes-guards Carbon M with fixation kit, pair | 2009-03-01 → | 1 |
| 4 | 1527107 | Clothes-guards Carbon L with fixation kit, pair | 2008-12-11 → | 1 |
| 6 | 1527100 | Clothes-guard Carbon M | 2009-03-01 → | 2 |
| 8 | 1527101 | Clothes-guard Carbon L | 2008-12-11 → | 2 |
| 9 | 1513193 | Fixation kit rear to clothes-guard | 2007-10-01 → | 1 |
| 10 | 1513195 | Fixation kit front to clothes-guard | | 1 |
| 11 | - | Fixation seat cover with clothes-guard | | 1 |

Mudguards 01.11.2008=>

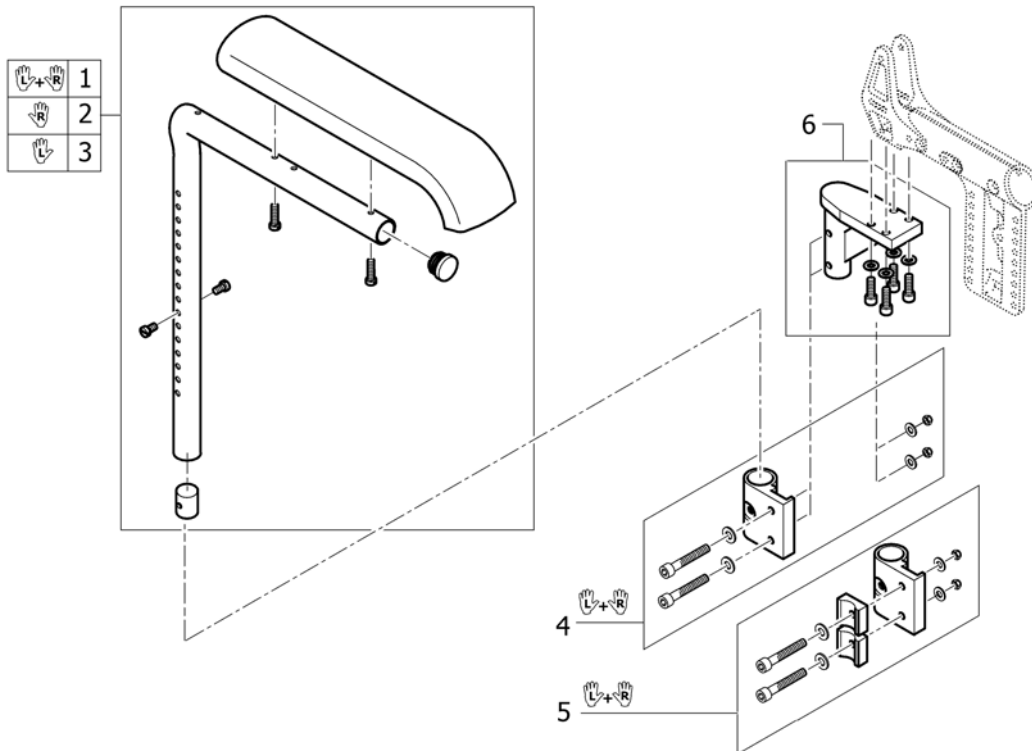


| Pos. | Part number | Description | Valid from → until | Qty |
|------|-------------|-----------------------------------|--------------------|-----|
| 1 | 1529300 | Mudguard Carbon left M short | 2008-11-01 → | 1 |
| 2 | 1529301 | Mudguard Carbon left L short | 2008-11-01 → | 1 |
| 3 | 1529302 | Mudguard Carbon right M short | 2008-11-01 → | 1 |
| 4 | 1529303 | Mudguard Carbon right L short | 2008-11-01 → | 1 |
| 5 | 1510275 | Mudguard Carbon left M | 2008-11-01 → | 1 |
| 6 | 1510277 | Mudguard Carbon left L | 2008-11-01 → | 1 |
| 7 | 1510276 | Mudguard Carbon right M | 2008-11-01 → | 1 |
| 8 | 1510278 | Mudguard Carbon right L | 2008-11-01 → | 1 |
| 9 | 1513223 | Mudguard holder right short | | 1 |
| 10 | 1513224 | Mudguard holder left short | | 1 |
| 11 | 1513204 | Fixation kit to siderest | | 2 |
| 12 | 1513199 | Fixation kit mudguard to frame | | 1 |
| 13 | - | Fixation seat cover with mudguard | | 1 |

Siderest height adjustable 01.04.2008=>

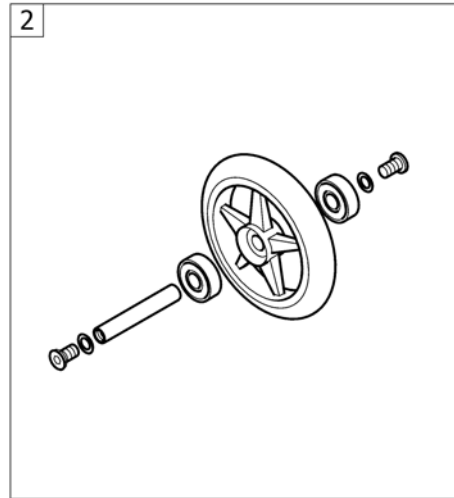
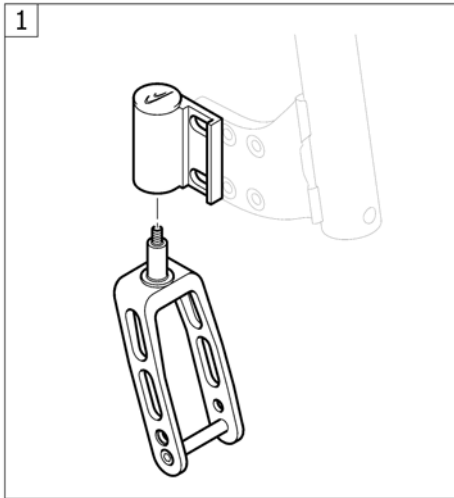


| Pos. | Part number | Description | Valid from → until | Qty |
|------|-------------|---|--------------------|-----|
| 1 | 1517677 | Siderest height adjustable short, right | | 1 |
| 2 | 1517678 | Siderest height adjustable short, left | | 1 |
| 3 | 1517682 | Siderest height adjustable short, pair | | 1 |
| 4 | 1517679 | Siderest height adjustable long, right | | 1 |
| 5 | 1517680 | Siderest height adjustable long, left | | 1 |
| 6 | 1517683 | Siderest height adjustable long, pair | | 1 |
| 7 | 1439497 | Ampad S (270mm) incl. screws, pair | | 1 |
| 8 | 1439498 | Ampad L (370mm) incl. screws, pair | | 1 |
| 9 | 1517681 | Siderests height clamp kit, pair | | 1 |
| 10 | 1513201 | Fixation kit siderest to frame | | 1 |
| 11 | - | Fixation seat cover with siderest | | 1 |

Tubular armrest

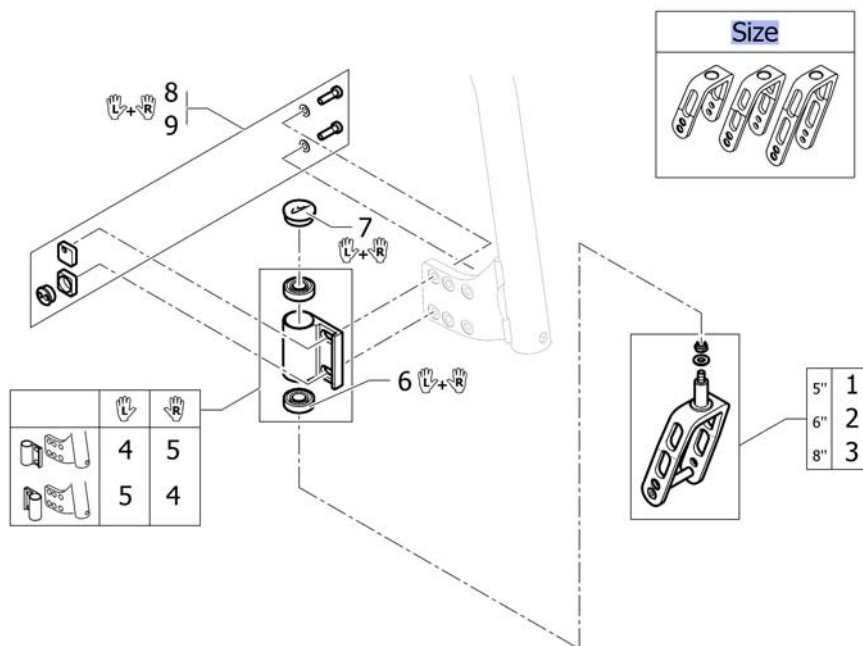
| Pos. | Part number | Description | Valid from → until | Qty |
|------|-------------|--|--------------------|-----|
| 1 | 1432099 | Pair of armrests short standard pads, bent | | 1 |
| 2 | 1432101 | Armrest with standard cushion, right | | 1 |
| 3 | 1432102 | Armrest with standard cushion, left | | 1 |
| 4 | 1432097 | Adaptation support kit for 1 adaptation per adapter support, pair | | 1 |
| 5 | 1432098 | Adaptation support kit for 2 adaptations per adapter support, pair | | 1 |
| 6 | 1432095 | Adapter support vertical, kit complete | | 2 |

FRONT WHEELS



| Pos. | Part number | Description | Valid from → until | Qty |
|------|-------------|-----------------------|--------------------|-----|
| 1 | - | Front wheel supporter | | 1 |
| 2 | - | Front wheels | | 1 |

Front wheel supporter

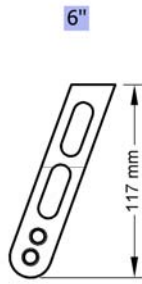


| Pos. | Part number | Description | Valid from → until | Qty |
|------|--------------|---|----------------------------|-----|
| Size | - | Configuration table for front fork size | | 0 |
| 1 | 1432004-0004 | Front fork 5" with bolt, black anodized | | 2 |
| 1 | 1432004-0001 | Front fork 5" with bolt, chrome | 2011-07-01 → | 2 |
| 1 | 1432004-0182 | Front fork 5" with bolt, champagne | 2013-01-01 → | 2 |
| 1 | 1432004-0183 | Front fork 5" with bolt, olive | 2013-01-01 → | 2 |
| 1 | 1432004-0400 | Front fork 5" with bolt, techno-anthrazit | | 2 |
| 1 | 1432004-0401 | Front fork 5" with bolt, lemon | 2007-10-01 → 2012-12-31 | 2 |
| 1 | 1432004-0404 | Front fork 5" with bolt, b-blue | | 2 |
| 1 | 1432004-0440 | Front fork 5" with bolt, comet red | | 2 |
| 1 | 1432004-0441 | Front fork 5" with bolt, arctic blue | 2010-01-01 → | 2 |
| 1 | 1432004-0444 | Front fork 5" with bolt, copper glaze | | 2 |
| 2 | 1432005-0004 | Front fork 6" with bolt, black anodized | | 2 |
| 2 | 1432005-0001 | Front fork 6" with bolt, chrome | 2011-07-01 → | 2 |
| 2 | 1432005-0182 | Front fork 6" with bolt, champagne | 2013-01-01 → | 2 |
| 2 | 1432005-0183 | Front fork 6" with bolt, olive | 2013-01-01 → | 2 |
| 2 | 1432005-0400 | Front fork 6" with bolt, techno-anthrazit | | 2 |
| 2 | 1432005-0401 | Front fork 6" with bolt, lemon | 2007-10-01 → 2012-12-31 | 2 |
| 2 | 1432005-0404 | Front fork 6" with bolt, b-blue | | 2 |
| 2 | 1432005-0440 | Front fork 6" with bolt, comet red | | 2 |
| 2 | 1432005-0441 | Front fork 6" with bolt, arctic blue | 2010-01-01 → | 2 |
| 2 | 1432005-0444 | Front fork 6" with bolt, copper glaze | | 2 |
| 3 | 1432006-0004 | Front fork 8" with bolt, black anodized | | 2 |
| 3 | 1432006-0001 | Front fork 8" with bolt, chrome | 2011-07-01 → | 2 |
| 3 | 1432006-0182 | Front fork 8" with bolt, champagne | 2013-01-01 → | 2 |
| 3 | 1432006-0183 | Front fork 8" with bolt, olive | 2013-01-01 → | 2 |
| 3 | 1432006-0400 | Front fork 8" with bolt, techno-anthrazit | | 2 |
| 3 | 1432006-0401 | Front fork 8" with bolt, lemon | 2007-10-01 → 2012-12-31 | 2 |
| 3 | 1432006-0404 | Front fork 8" with bolt, b-blue | | 2 |
| 3 | 1432006-0440 | Front fork 8" with bolt, comet red | | 2 |

Front wheel supporter

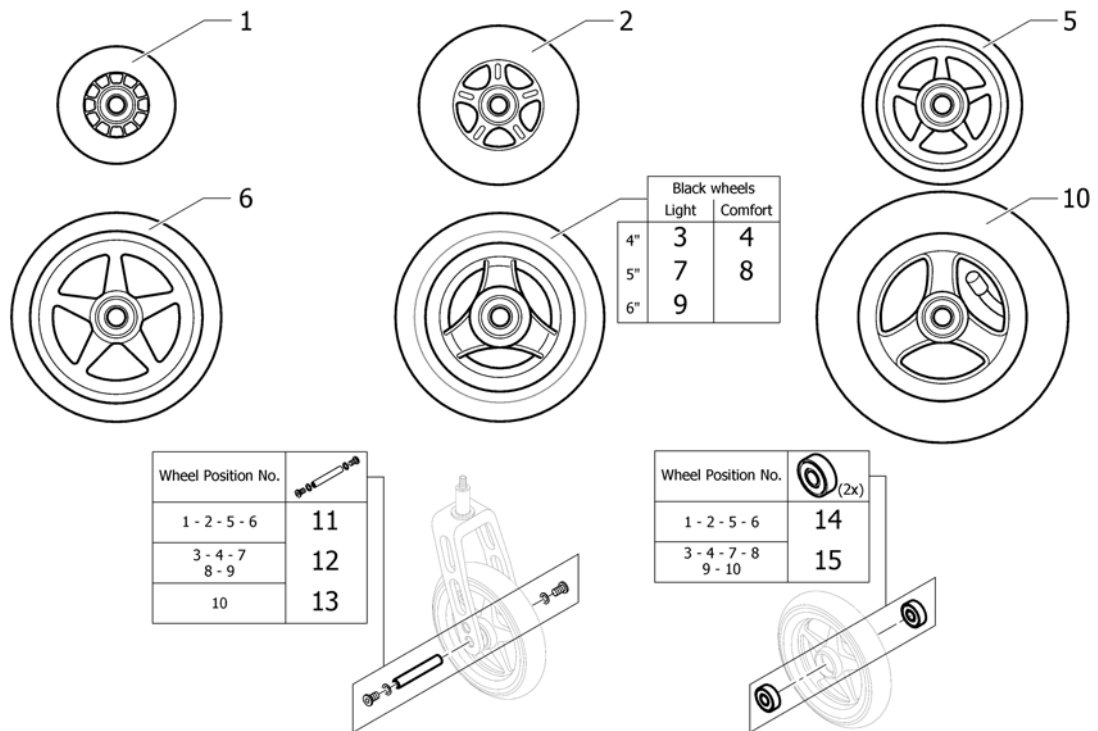
| Pos. | Part number | Description | Valid from → until | Qty |
|------|--------------|---|----------------------------|-----|
| 3 | 1432006-0441 | Front fork 8" with bolt, arctic blue | 2010-01-01 → | 2 |
| 3 | 1432006-0444 | Front fork 8" with bolt, copper glaze | | 2 |
| 4 | 1511607-0004 | Bearing block 'A' with bearing, black anodized | | 1 |
| 4 | 1511607-0001 | Bearing block 'A' with bearing, chrome | 2011-07-01 → | 1 |
| 4 | 1511607-0182 | Bearing block 'A' with bearing, champagne | 2013-01-01 → | 1 |
| 4 | 1511607-0183 | Bearing block 'A' with bearing, olive | 2013-01-01 → | 1 |
| 4 | 1511607-0400 | Bearing block 'A' with bearing, techno-anthrazit | | 1 |
| 4 | 1511607-0401 | Bearing block 'A' with bearing, lemon | 2007-10-01 → 2012-12-31 | 1 |
| 4 | 1511607-0404 | Bearing block 'A' with bearing, b-blue | | 1 |
| 4 | 1511607-0440 | Bearing block 'A' with bearing, comet red | | 1 |
| 4 | 1511607-0441 | Bearing block 'A' with bearing, arctic blue | 2010-01-01 → | 1 |
| 4 | 1511607-0444 | Bearing block 'A' with bearing, copper glaze | | 1 |
| 5 | 1511608-0004 | Bearing block 'B' with bearing, black anodized | | 1 |
| 5 | 1511608-0001 | Bearing block 'B' with bearing, chrome | 2011-07-01 → | 1 |
| 5 | 1511608-0182 | Bearing block 'B' with bearing, champagne | 2013-01-01 → | 1 |
| 5 | 1511608-0183 | Bearing block 'B' with bearing, olive | 2013-01-01 → | 1 |
| 5 | 1511608-0400 | Bearing block 'B' with bearing, techno-anthrazit | | 1 |
| 5 | 1511608-0401 | Bearing block 'B' with bearing, lemon | 2007-10-01 → 2012-12-31 | 1 |
| 5 | 1511608-0404 | Bearing block 'B' with bearing, b-blue | | 1 |
| 5 | 1511608-0440 | Bearing block 'B' with bearing, comet red | | 1 |
| 5 | 1511608-0441 | Bearing block 'B' with bearing, arctic blue | 2010-01-01 → | 1 |
| 5 | 1511608-0444 | Bearing block 'B' with bearing, copper glaze | | 1 |
| 6 | 1451718 | Bearing kit | | 1 |
| 7 | 1487961-0004 | Bearing block cap pair, black anodized | | 1 |
| 7 | 1487961-0001 | Bearing block cap pair, chrome | 2011-07-01 → | 1 |
| 7 | 1487961-0182 | Bearing block cap pair, champagne | 2013-01-01 → | 1 |
| 7 | 1487961-0183 | Bearing block cap pair, olive | 2013-01-01 → | 1 |
| 7 | 1487961-0400 | Bearing block cap pair, techno-anthrazit | | 1 |
| 7 | 1487961-0401 | Bearing block cap pair, lemon | 2007-10-01 → 2012-12-31 | 1 |
| 7 | 1487961-0404 | Bearing block cap pair, b-blue | | 1 |
| 7 | 1487961-0440 | Bearing block cap pair, comet red | | 1 |
| 7 | 1487961-0441 | Bearing block cap pair, arctic blue | 2010-01-01 → | 1 |
| 7 | 1487961-0444 | Bearing block cap, pair, copper glaze | | 1 |
| 8 | 1512022 | Excenter kit to Aluminium frame | | 1 |
| 9 | 1512124 | Excenter kit to Carbon frame | | 1 |
| 10 | 1420972 | Axle set complete 3" Sport / 4" and 5" Starec / 4" Skater wheel | | 2 |
| 11 | 1420973 | Axle set complete 4" sports wheel | | 2 |
| 12 | 1420974 | Axle set complete 5"/6" sports wheel | | 2 |
| 13 | 1420975 | Axle set complete 5" soft roll wheel | | 2 |

Configuration table for front fork size



| Pos. | Part number | Description | Valid from → until | Qty |
|------|-------------|---------------------|--------------------|-----|
| 5" | - | Front fork, Size 5" | | 0 |
| 6" | - | Front fork, Size 6" | | 0 |
| 8" | - | Front fork, Size 8" | | 0 |

Front wheels

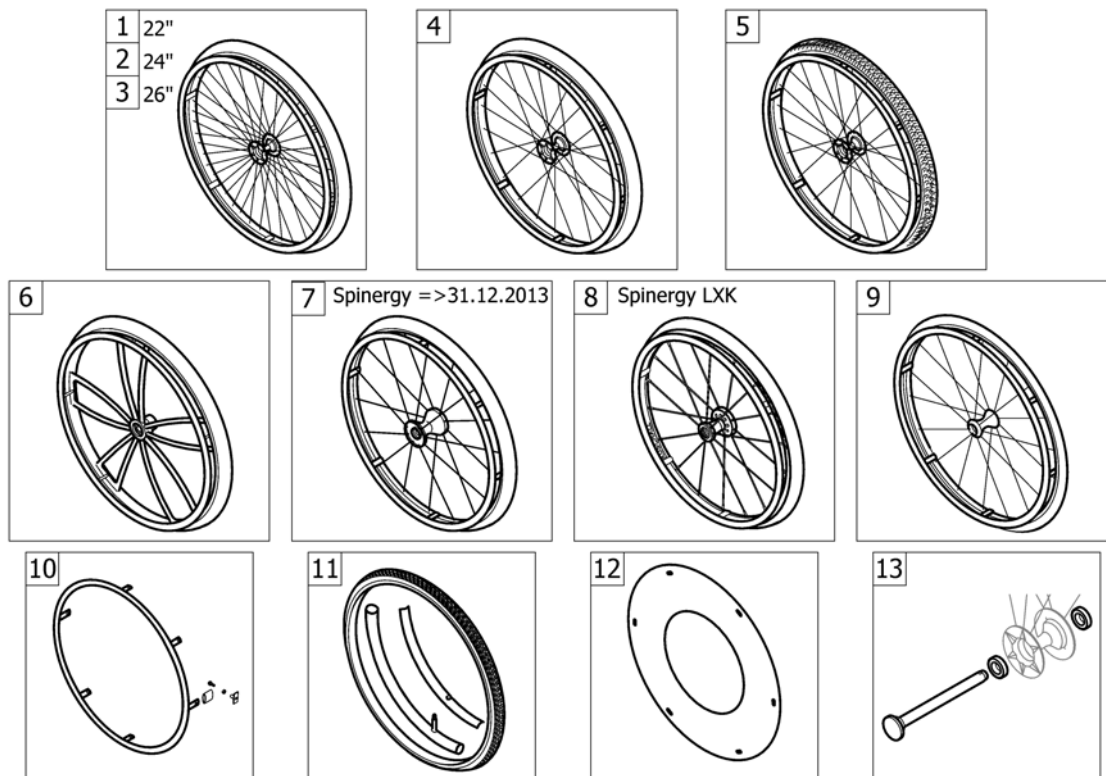


| Pos. | Part number | Description | Valid from → until | Qty |
|------|--------------|---|----------------------------|-----|
| 1 | 1513180 | 3" Sports wheel, transparent <i>Replaces 732.1026</i> | | 2 |
| 2 | 1513181 | 4" Skater wheel, transparent <i>Replaces 1416805</i> | | 2 |
| 3 | 1562626 | 4" Everyday wheel, 3 spokes, black <i>Replaces 1513182</i> | 2012-07-01 → | 2 |
| 4 | 1561139 | 4" Comfort wheel, black | 2012-07-01 → | 2 |
| 5 | 1513183-0408 | 4" Starec wheel, glossy black <i>Replaces 1420968-0408</i> | | 2 |
| 5 | 1513183-0001 | 4" Starec wheel, chrome | 2011-07-01 → | 2 |
| 5 | 1513183-0182 | 4" Starec wheel, champagne | 2013-01-01 → | 2 |
| 5 | 1513183-0183 | 4" Starec wheel, olive | 2013-01-01 → | 2 |
| 5 | 1513183-0400 | 4" Starec wheel, techno-anthrazit <i>Replaces 1420968-0400</i> | | 2 |
| 5 | 1513183-0401 | 4" Starec wheel, lemon <i>Replaces 1420968-0401</i> | 2007-10-01 → 2012-12-31 | 2 |
| 5 | 1513183-0404 | 4" Starec wheel, b-blue <i>Replaces 1420968-0404</i> | | 2 |
| 5 | 1513183-0440 | 4" Starec wheel, comet red <i>Replaces 1420968-0440</i> | | 2 |
| 5 | 1513183-0441 | 4" Starec wheel, arctic blue <i>Replaces 1420968-0441</i> | 2010-01-01 → | 2 |
| 5 | 1513183-0444 | 4" Starec wheel, copper glaze <i>Replaces 1420968-0444</i> | | 2 |
| 6 | 1513187-0408 | 5" Starec wheel, black <i>Replaces 732.1032.961</i> | | 2 |
| 6 | 1513187-0001 | 5" Starec wheel, chrome | 2011-07-01 → | 2 |
| 6 | 1513187-0182 | 5" Starec wheel, champagne | 2013-01-01 → | 2 |
| 6 | 1513187-0183 | 5" Starec wheel, olive | 2013-01-01 → | 2 |
| 6 | 1513187-0400 | 5" Starec wheel, techno-anthrazit <i>Replaces 732.1032.950</i> | | 2 |
| 6 | 1513187-0401 | 5" Starec wheel, lemon <i>Replaces 732.1032.951</i> | 2007-10-01 → 2012-12-31 | 2 |

Front wheels

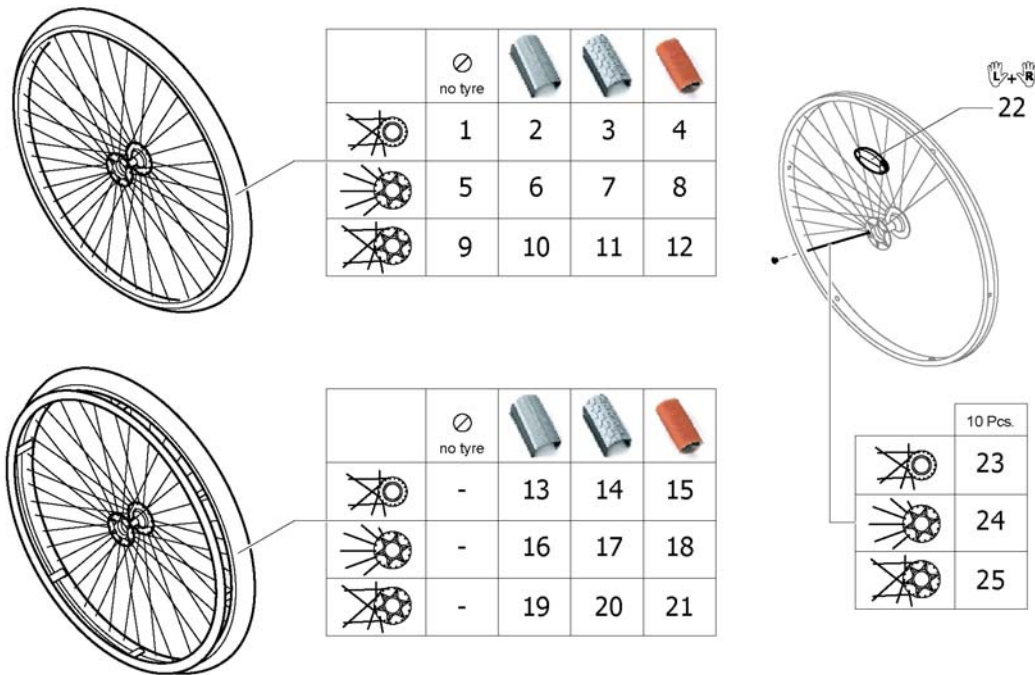
| Pos. | Part number | Description | Valid from → until | Qty |
|------|--------------|---|--------------------|-----|
| 6 | 1513187-0404 | 5" Starec wheel, b-blue <i>Replaces 732.1032.957</i> | | 2 |
| 6 | 1513187-0440 | 5" Starec wheel, comet red <i>Replaces 732.1032-0440</i> | | 2 |
| 6 | 1513187-0441 | 5" Starec wheel, arctic blue <i>Replaces 732.1032-0441</i> | 2010-01-01 → | 2 |
| 6 | 1513187-0444 | 5" Starec wheel, copper glaze <i>Replaces 732.1032-0444</i> | | 2 |
| 7 | 1562627 | 5" Everyday wheel, 3 spokes, black <i>Replaces 1513185</i> | 2012-07-01 → | 2 |
| 8 | 1542640 | 5" Comfort wheel, black <i>Replaces 1513186</i> | 2011-01-01 → | 2 |
| 9 | 1562628 | 6" Everyday wheel, 3 spokes, black <i>Replaces 1513190</i> | 2012-07-01 → | 2 |
| 10 | 1513189 | 6" Pneumatic wheel <i>Replaces 732.1020</i> | | 2 |
| 11 | 1420972 | Axle set complete 3" Sport / 4" and 5" Starec / 4" Skater wheel | | 2 |
| 12 | 1570108 | Axle set without spacer | | 2 |
| 13 | 1570109 | Axle set complete 6" pneumatic wheel | | 2 |
| 14 | 1570104 | Ball bearing 608-2RS 8/22*7, pair | | 2 |
| 15 | 1570105 | Ball bearing 6000-2RS, pair | | 2 |

REAR WHEELS



| Pos. | Part number | Description | Valid from → until | Qty |
|------|-------------|--------------------------------|----------------------------|-----|
| 1 | - | 22" Küschall wheels complete | | 1 |
| 2 | - | 24" Küschall wheels complete | | 1 |
| 3 | - | 26" Küschall wheels complete | | 1 |
| 4 | - | High Performance wheel | | 1 |
| 5 | - | Mountainbike wheel | | 1 |
| 6 | - | Spider wheel | 2007-10-01 → 2017-12-31 | 1 |
| 7 | - | Spinerger wheel | 2007-10-01 → 2013-12-31 | 1 |
| 8 | - | Spinerger LXX wheel | 2014-01-01 → | 1 |
| 9 | - | Ultra-light fibre wheel | 2011-07-01 → 2013-12-31 | 1 |
| 10 | - | Handrim | | 1 |
| 11 | - | Tyre | | 1 |
| 12 | - | Spokes guard | | 1 |
| 13 | - | Quick release axle and bearing | | 1 |

22" Küschall wheels complete

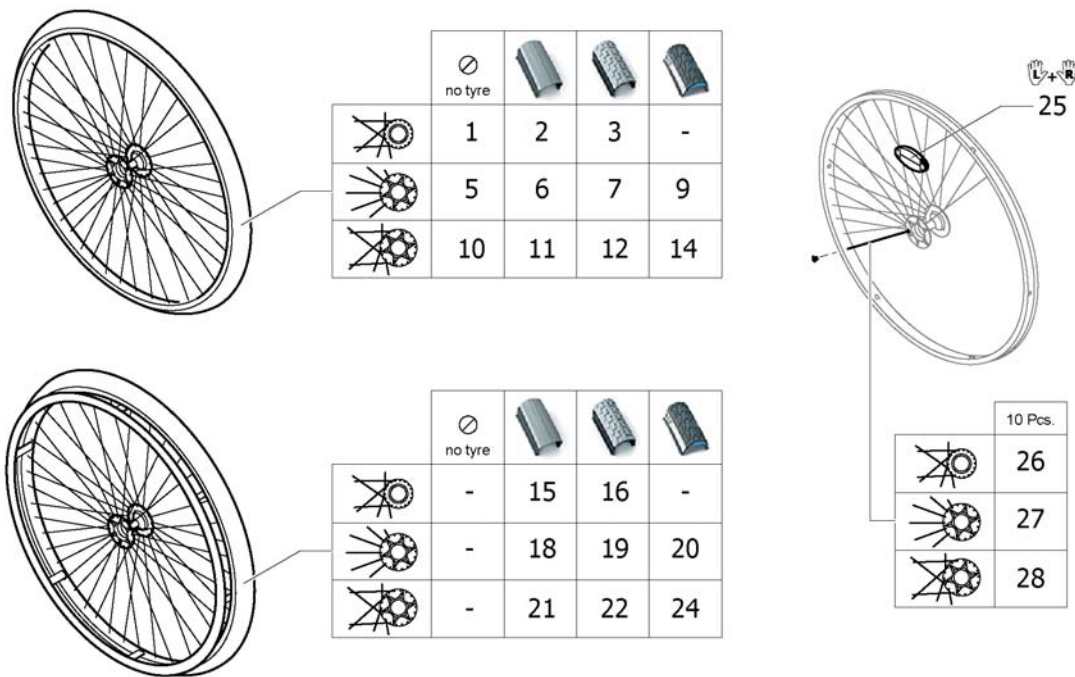


| Pos. | Part number | Description | Valid from → until | Qty |
|------|--------------|--|-------------------------|-----|
| 5 | 1559082-0407 | Rear wheel 22" Starec R, colourless, without handrim, without tyre <i>Replaces 904.1081</i> | 2007-10-01 → 2014-12-31 | 2 |
| 5 | 1559082-0001 | Rear wheel 22" Starec R, chrome, without handrim, without tyre | 2011-07-01 → 2014-12-31 | 2 |
| 5 | 1559082-0182 | Rear wheel 22" Starec R, champagne, without handrim, without tyre | 2013-01-01 → 2014-12-31 | 2 |
| 5 | 1559082-0183 | Rear wheel 22" Starec R, olive, without handrim, without tyre | 2013-01-01 → 2014-12-31 | 2 |
| 5 | 1559082-0400 | Rear wheel 22" Starec R, tecno, without handrim, without tyre <i>Replaces 904.1081.950</i> | 2007-10-01 → 2014-12-31 | 2 |
| 5 | 1559082-0401 | Rear wheel 22" Starec R, lemon, without handrim, without tyre <i>Replaces 904.1081.951</i> | 2007-10-01 → 2012-12-31 | 2 |
| 5 | 1559082-0404 | Rear wheel 22" Starec R, b-blue, without handrim, without tyre <i>Replaces 904.1081.957</i> | 2007-10-01 → 2014-12-31 | 2 |
| 5 | 1559082-0440 | Rear wheel 22" Starec R, comet red, without handrim, without tyre <i>Replaces 904.1081-0440</i> | 2007-10-01 → 2014-12-31 | 2 |
| 5 | 1559082-0441 | Rear wheel 22" Starec R, arctic blue, without handrim, without tyre <i>Replaces 904.1081-0441</i> | 2010-01-01 → 2014-12-31 | 2 |
| 5 | 1559082-0444 | Rear wheel 22" Starec R, coppber glaze, without handrim, without tyre <i>Replaces 904.1081-0444</i> | 2007-10-01 → 2014-12-31 | 2 |
| 6 | 904.1195 | Rear wheel 22", Starec hub R, without handrim, light wall | 2007-10-01 → 2014-12-31 | 2 |
| 7 | 904.1158 | Rear wheel 22", Starec hub R, without handrim, Tread | 2007-10-01 → 2014-12-31 | 2 |
| 9 | 1559083-0407 | Rear wheel 22", Starec X, colourless, without handrim, without tyre <i>Replaces 904.1131</i> | | 2 |
| 9 | 1559083-0001 | Rear wheel 22", Starec X, chrome, without handrim, without tyre | 2011-07-01 → | 2 |
| 9 | 1559083-0182 | Rear wheel 22", Starec X, champagne, without handrim, without tyre | 2013-01-01 → | 2 |
| 9 | 1559083-0183 | Rear wheel 22" Starec X, olive, without handrim, without tyre | 2013-01-01 → | 2 |

22" Küschall wheels complete

| Pos. | Part number | Description | Valid from → until | Qty |
|------|--------------|---|----------------------------|-----|
| 9 | 1559083-0400 | Rear wheel 22" Starec X, Tecno, without handrim, without tyre <i>Replaces 904.1131.950</i> | | 2 |
| 9 | 1559083-0401 | Rear wheel 22" Starec X, Lemon, without handrim, without tyre <i>Replaces 904.1131.951</i> | 2007-10-01 → 2012-12-31 | 2 |
| 9 | 1559083-0404 | Rear wheel 22" Starec X, B-blue, without handrim, without tyre <i>Replaces 904.1131.957</i> | | 2 |
| 9 | 1559083-0440 | Rear wheel 22" Starec X, Comet red, without handrim, without tyre <i>Replaces 904.1131-0440</i> | | 2 |
| 9 | 1559083-0441 | Rear wheel 22" Starec X, arctic blue, without handrim, without tyre <i>Replaces 904.1131-0441</i> | 2010-01-01 → | 2 |
| 9 | 1559083-0444 | Rear wheel 22" Starec X, copper glaze, without handrim, without tyre <i>Replaces 904.1131-0444</i> | | 2 |
| 10 | 904.1189 | Rear wheel 22", Starec hub X, without handrim, light wall | | 2 |
| 11 | 904.1139 | Rear wheel 22", Starec hub X, without handrim, Tread | | 2 |
| 16 | 904.1192 | Rear wheel 22", Starec hub R, handrim, light wall | 2007-10-01 → 2014-12-31 | 2 |
| 17 | 904.1149 | Rear wheel 22", Starec hub R, handrim, Tread | 2007-10-01 → 2014-12-31 | 2 |
| 19 | 904.1186 | Rear wheel 22", Starec hub X, handrim, light wall | | 2 |
| 20 | 904.1123 | Rear wheel 22", Starec hub X, handrim, Tread | | 2 |
| 21 | 904.1124 | Rear wheel 22", Starec hub X, handrim, Indoor sports | | 2 |
| 22 | 1571073 | Spokereflection, pair <i>Replaces 220.1033</i> | | 1 |
| 24 | 1579081 | Spokes 211mm complete, kit 10 Pcs. | 2007-10-01 → 2014-12-31 | 1 |
| 25 | 1579082 | Spokes 228mm complete, kit 10 Pcs. | | 1 |

24" Küschall wheels complete



| Pos. | Part number | Description | Valid from → until | Qty |
|------|--------------|--|-------------------------|-----|
| 5 | 1567103-0407 | Rear wheel 24" Starec R, colourless, without handrim, without tyre <i>Replaces 904.1082</i> | 2007-10-01 → 2014-12-31 | 2 |
| 5 | 1567103-0001 | Rear wheel 24" Starec R, chrome, without handrim, without tyre <i>Replaces 904.1082-0001</i> | 2011-07-01 → 2014-12-31 | 2 |
| 5 | 1567103-0182 | Rear wheel 24" Starec R, champagne, without handrim, without tyre | 2013-01-01 → 2014-12-31 | 2 |
| 5 | 1567103-0183 | Rear wheel 24" Starec R, olive, without handrim, without tyre | 2013-01-01 → 2014-12-31 | 2 |
| 5 | 1567103-0400 | Rear wheel 24" Starec R, tecno, without handrim, without tyre <i>Replaces 904.1082.950</i> | 2007-10-01 → 2014-12-31 | 2 |
| 5 | 1567103-0401 | Rear wheel 24" Starec R, lemon, without handrim, without tyre <i>Replaces 904.1082.951</i> | 2007-10-01 → 2012-12-31 | 2 |
| 5 | 1567103-0404 | Rear wheel 24" Starec R, b-blue, without handrim, without tyre <i>Replaces 904.1082.957</i> | 2007-10-01 → 2014-12-31 | 2 |
| 5 | 1567103-0440 | Rear wheel 24" Starec R, comet red, without handrim, without tyre <i>Replaces 904.1082-0440</i> | 2007-10-01 → 2014-12-31 | 2 |
| 5 | 1567103-0441 | Rear wheel 24" Starec R, arctic blue, without handrim, without tyre <i>Replaces 904.1082-0441</i> | 2010-01-01 → 2014-12-31 | 2 |
| 5 | 1567103-0444 | Rear wheel 24" Starec R, coppber glaze, without handrim, without tyre <i>Replaces 904.1082-0444</i> | 2007-10-01 → 2014-12-31 | 2 |
| 6 | 904.1161 | Rear wheel 24", Starec hub R, without handrim, light wall | 2007-10-01 → 2014-12-31 | 2 |
| 7 | 904.1160 | Rear wheel 24", Starec hub R, without handrim, Tread | 2007-10-01 → 2014-12-31 | 2 |
| 9 | 1554397-0407 | Rear wheel 24", Starec R, colourless, without handrim, marathon evolution | 2007-10-01 → 2014-12-31 | 2 |
| 9 | 1554397-0001 | Rear wheel 24" Starec R, chrome, without handrim, marathon evolution | 2011-07-01 → 2014-12-31 | 2 |

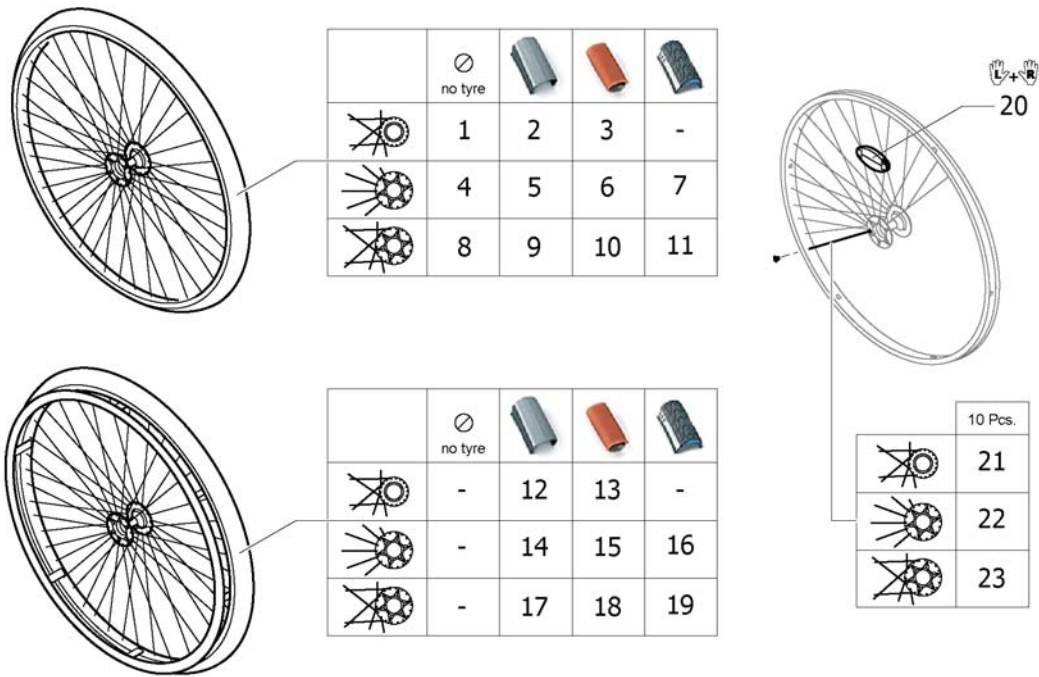
24" Küschall wheels complete

| Pos. | Part number | Description | Valid from → until | Qty |
|------|--------------|---|-------------------------|-----|
| 9 | 1554397-0182 | Rear wheel 24" Starec R, champagne, without handrim, marathon evolution | 2013-01-01 → 2014-12-31 | 2 |
| 9 | 1554397-0183 | Rear wheel 24" Starec R, olive, without handrim, marathon evolution | 2013-01-01 → 2014-12-31 | 2 |
| 9 | 1554397-0400 | Rear wheel 24" Starec R, tecno, without handrim, marathon evolution | 2007-10-01 → 2014-12-31 | 2 |
| 9 | 1554397-0401 | Rear wheel 24" Starec R, lemon, without handrim, marathon evolution | 2007-10-01 → 2012-12-31 | 2 |
| 9 | 1554397-0404 | Rear wheel 24" Starec R, b-blue, without handrim, marathon evolution | 2007-10-01 → 2014-12-31 | 2 |
| 9 | 1554397-0440 | Rear wheel 24" Starec R, comet red, without handrim, marathon evolution | 2007-10-01 → 2014-12-31 | 2 |
| 9 | 1554397-0441 | Rear wheel 24" Starec R, arctic blue, without handrim, marathon evolution | 2010-01-01 → 2014-12-31 | 2 |
| 9 | 1554397-0444 | Rear wheel 24" Starec R, copper glaze, without handrim, marathon evolution | 2007-10-01 → 2014-12-31 | 2 |
| 10 | 1567104-0407 | Rear wheel 24", Starec X, colourless, without handrim, without tyre <i>Replaces 1416885</i> | | 2 |
| 10 | 1567104-0001 | Rear wheel 24", Starec X, chrome, without handrim, without tyre <i>Replaces 904.1132-0001</i> | 2011-07-01 → | 2 |
| 10 | 1567104-0182 | Rear wheel 24", Starec X, champagne, without handrim, without tyre | 2013-01-01 → | 2 |
| 10 | 1567104-0183 | Rear wheel 24" Starec X, olive, without handrim, without tyre | 2013-01-01 → | 2 |
| 10 | 1567104-0400 | Rear wheel 24" Starec X, Tecno, without handrim, without tyre <i>Replaces 904.1132.950</i> | | 2 |
| 10 | 1567104-0401 | Rear wheel 24" Starec X, Lemon, without handrim, without tyre <i>Replaces 904.1132.951</i> | 2007-10-01 → 2012-12-31 | 2 |
| 10 | 1567104-0404 | Rear wheel 24" Starec X, B-blue, without handrim, without tyre <i>Replaces 904.1132.957</i> | | 2 |
| 10 | 1567104-0440 | Rear wheel 24" Starec X, Comet red, without handrim, without tyre <i>Replaces 904.1132-0440</i> | | 2 |
| 10 | 1567104-0441 | Rear wheel 24" Starec X, arctic blue, without handrim, without tyre <i>Replaces 904.1132-0441</i> | 2010-01-01 → | 2 |
| 10 | 1567104-0444 | Rear wheel 24" Starec X, copper glaze, without handrim, without tyre <i>Replaces 904.1132-0444</i> | | 2 |
| 11 | 1570471 | Rear wheel 24", Starec hub X, without handrim, light wall tyre | | 2 |
| 12 | 904.1141 | Rear wheel 24", Starec hub X, without handrim, Tread | | 2 |
| 14 | 1554399-0407 | Rear wheel 24", Starec X, colourless, without handrim, marathon | | 2 |
| 14 | 1554399-0001 | Rear wheel 24" Starec X, chrome, without handrim, marathon evolution | 2011-07-01 → | 2 |
| 14 | 1554399-0182 | Rear wheel 24" Starec X, champagne, without handrim, marathon evolution | 2013-01-01 → | 2 |
| 14 | 1554399-0183 | Rear wheel 24" Starec X, olive, without handrim, marathon evolution | 2013-01-01 → | 2 |
| 14 | 1554399-0400 | Rear wheel 24" Starec X, tecno, without handrim, marathon evolution | | 2 |
| 14 | 1554399-0401 | Rear wheel 24" Starec X, lemon, without handrim, marathon evolution | 2007-10-01 → 2012-12-31 | 2 |
| 14 | 1554399-0404 | Rear wheel 24" Starec X, b-blue, without handrim, marathon evolution | | 2 |
| 14 | 1554399-0440 | Rear wheel 24" Starec X, comet red, without handrim, marathon evolution | | 2 |
| 14 | 1554399-0441 | Rear wheel 24" Starec X, arctic blue, without handrim, marathon evolution | 2010-01-01 → | 2 |
| 14 | 1554399-0444 | Rear wheel 24" Starec X, copper glaze, without handrim, marathon evolution | | 2 |
| 18 | 904.1152 | Rear wheel 24", Starec hub R, handrim, light wall | 2007-10-01 → 2014-12-31 | 2 |
| 19 | 904.1151 | Rear wheel 24", Starec hub R, handrim, Tread | 2007-10-01 → 2014-12-31 | 2 |
| 20 | 1554398-0407 | Rear wheel 24", Starec R, colourless, handrim, marathon evolution | 2007-10-01 → 2014-12-31 | 2 |
| 20 | 1554398-0001 | Rear wheel 24" Starec R, chrome, handrim, marathon evolution | 2011-07-01 → 2014-12-31 | 2 |
| 20 | 1554398-0182 | Rear wheel 24" Starec R, champagne, handrim, marathon evolution | 2013-01-01 → 2014-12-31 | 2 |
| 20 | 1554398-0183 | Rear wheel 24" Starec R, olive, handrim, marathon evolution | 2013-01-01 → 2014-12-31 | 2 |

24" Küschall wheels complete

| Pos. | Part number | Description | Valid from → until | Qty |
|------|--------------|---|----------------------------|-----|
| 20 | 1554398-0400 | Rear wheel 24" Starec R, tecno, handrim, marathon evolution | 2007-10-01 → 2014-12-31 | 2 |
| 20 | 1554398-0401 | Rear wheel 24" Starec R, lemon, handrim, marathon evolution | 2007-10-01 → 2012-12-31 | 2 |
| 20 | 1554398-0404 | Rear wheel 24" Starec R, b-blue, handrim, marathon evolution | 2007-10-01 → 2014-12-31 | 2 |
| 20 | 1554398-0440 | Rear wheel 24" Starec R, comet red, handrim, marathon evolution | 2007-10-01 → 2014-12-31 | 2 |
| 20 | 1554398-0441 | Rear wheel 24" Starec R, arctic blue, handrim, marathon evolution | 2010-01-01 → 2014-12-31 | 2 |
| 20 | 1554398-0444 | Rear wheel 24" Starec R, coppfer glaze, handrim, marathon evolution | 2007-10-01 → 2014-12-31 | 2 |
| 21 | 1570472 | Rear wheel 24", Starec hub X, handrim, light wall tyre | | 2 |
| 22 | 904.1125 | Rear wheel 24", Starec hub X, handrim, Tread | | 2 |
| 24 | 1554400-0407 | Rear wheel 24", Starec X, colourless, handrim, marathon evolution | | 2 |
| 24 | 1554400-0001 | Rear wheel 24" Starec X, chrome, handrim, marathon evolution | 2011-07-01 → | 2 |
| 24 | 1554400-0182 | Rear wheel 24" Starec X, champagne, handrim, marathon evolution | 2013-01-01 → | 2 |
| 24 | 1554400-0183 | Rear wheel 24" Starec X, olive, handrim, marathon evolution | 2013-01-01 → | 2 |
| 24 | 1554400-0400 | Rear wheel 24" Starec X, tecno, handrim, marathon evolution | | 2 |
| 24 | 1554400-0401 | Rear wheel 24" Starec X, lemon, handrim, marathon evolution | 2007-10-01 → 2012-12-31 | 2 |
| 24 | 1554400-0404 | Rear wheel 24" Starec X, b-blue, handrim, marathon evolution | | 2 |
| 24 | 1554400-0440 | Rear wheel 24" Starec X, comet red, handrim, marathon evolution | | 2 |
| 24 | 1554400-0441 | Rear wheel 24" Starec X, arctic blue, handrim, marathon evolution | 2010-01-01 → | 2 |
| 24 | 1554400-0444 | Rear wheel 24" Starec X, coppfer glaze, handrim, marathon evolution | | 2 |
| 25 | 1571073 | Spokereflection, pair <i>Replaces 220.1003</i> | | 1 |
| 27 | 1579084 | Spokes 238mm complete, kit 10 Pcs. | 2007-10-01 → 2014-12-31 | 1 |
| 28 | 1579086 | Spokes 253mm complete, kit 10 Pcs. | | 1 |

26" Küschall wheels complete



| Pos. | Part number | Description | Valid from → until | Qty |
|------|--------------|--|-------------------------|-----|
| 4 | 1567098-0407 | Rear wheel 26" Starec R, colourless, without handrim, without tyre <i>Replaces 904.1083</i> | 2007-10-01 → 2014-12-31 | 2 |
| 4 | 1567098-0001 | Rear wheel 26" Starec R, chrome, without handrim, without tyre <i>Replaces 904.1083-0001</i> | 2011-07-01 → 2014-12-31 | 2 |
| 4 | 1567098-0182 | Rear wheel 26" Starec R, champagne, without handrim, without tyre | 2013-01-01 → 2014-12-31 | 2 |
| 4 | 1567098-0183 | Rear wheel 26" Starec R, olive, without handrim, without tyre | 2013-01-01 → 2014-12-31 | 2 |
| 4 | 1567098-0400 | Rear wheel 26" Starec R, tecno, without handrim, without tyre <i>Replaces 904.1083.950</i> | 2007-10-01 → 2014-12-31 | 2 |
| 4 | 1567098-0401 | Rear wheel 26" Starec R, lemon, without handrim, without tyre <i>Replaces 904.1083.951</i> | 2007-10-01 → 2012-12-31 | 2 |
| 4 | 1567098-0404 | Rear wheel 26" Starec R, b-blue, without handrim, without tyre <i>Replaces 904.1083.957</i> | 2007-10-01 → 2014-12-31 | 2 |
| 4 | 1567098-0440 | Rear wheel 26" Starec R, comet red, without handrim, without tyre <i>Replaces 904.1083-0440</i> | 2007-10-01 → 2014-12-31 | 2 |
| 4 | 1567098-0441 | Rear wheel 26" Starec R, arctic blue, without handrim, without tyre <i>Replaces 904.1083-0441</i> | 2010-01-01 → 2014-12-31 | 2 |
| 4 | 1567098-0444 | Rear wheel 26" Starec R, coppfer glaze, without handrim, without tyre <i>Replaces 904.1083-0444</i> | 2007-10-01 → 2014-12-31 | 2 |
| 5 | 904.1196 | Rear wheel 26", Starec hub R, without handrim, light wall | 2007-10-01 → 2014-12-31 | 2 |
| 6 | 904.1165 | Rear wheel 26", Starec hub R, without handrim, indoor sports | 2007-10-01 → 2012-12-31 | 2 |
| 7 | 1554401-0407 | Rear wheel 26", Starec R, colourless, without handrim, marathon evolution | 2007-10-01 → 2014-12-31 | 2 |
| 7 | 1554401-0001 | Rear wheel 26" Starec R, chrome, without handrim, marathon evolution | 2011-07-01 → 2014-12-31 | 2 |

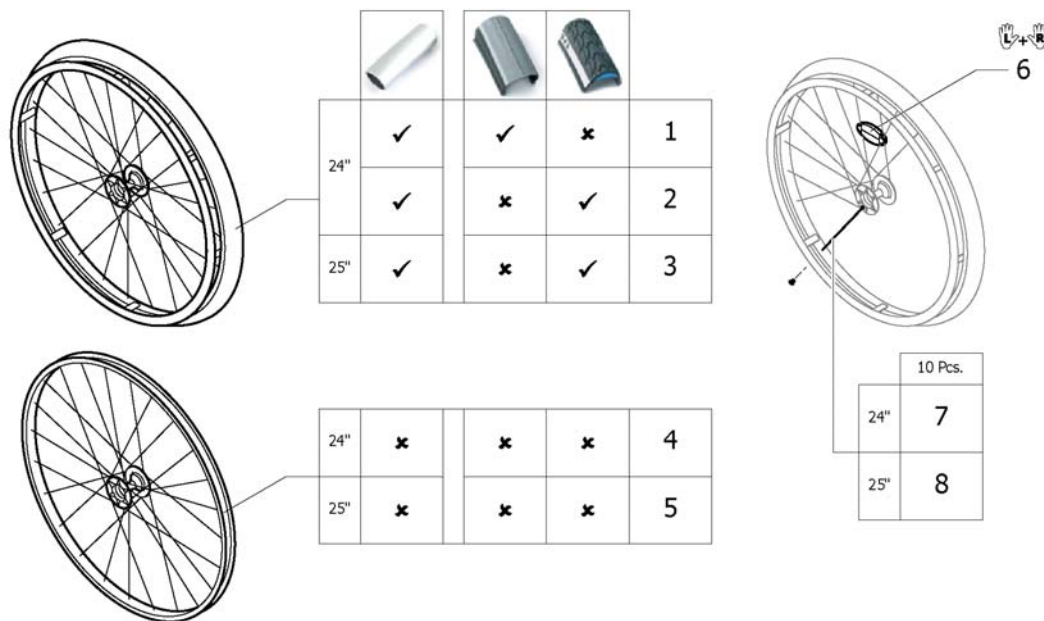
26" Küschall wheels complete

| Pos. | Part number | Description | Valid from → until | Qty |
|------|--------------|---|-------------------------|-----|
| 7 | 1554401-0182 | Rear wheel 26" Starec R, champagne, without handrim, marathon evolution | 2013-01-01 → 2014-12-31 | 2 |
| 7 | 1554401-0183 | Rear wheel 26" Starec R, olive, without handrim, marathon evolution | 2013-01-01 → 2014-12-31 | 2 |
| 7 | 1554401-0400 | Rear wheel 26" Starec R, tecno, without handrim, marathon evolution | 2007-10-01 → 2014-12-31 | 2 |
| 7 | 1554401-0401 | Rear wheel 26" Starec R, lemon, without handrim, marathon evolution | 2007-10-01 → 2012-12-31 | 2 |
| 7 | 1554401-0404 | Rear wheel 26" Starec R, b-blue, without handrim, marathon evolution | 2007-10-01 → 2014-12-31 | 2 |
| 7 | 1554401-0440 | Rear wheel 26" Starec R, comet red, without handrim, marathon evolution | 2007-10-01 → 2014-12-31 | 2 |
| 7 | 1554401-0441 | Rear wheel 26" Starec R, arctic blue, without handrim, marathon evolution | 2010-01-01 → 2014-12-31 | 2 |
| 7 | 1554401-0444 | Rear wheel 26" Starec R, copper glaze, without handrim, marathon evolution | 2007-10-01 → 2014-12-31 | 2 |
| 8 | 1567099-0407 | Rear wheel 26", Starec X, colourless, without handrim, without tyre <i>Replaces 904.1133</i> | | 2 |
| 8 | 1567099-0001 | Rear wheel 26", Starec X, chrome, without handrim, without tyre <i>Replaces 904.1133-0001</i> | 2011-07-01 → | 2 |
| 8 | 1567099-0182 | Rear wheel 26", Starec X, champagne, without handrim, without tyre | 2013-01-01 → | 2 |
| 8 | 1567099-0183 | Rear wheel 26" Starec X, olive, without handrim, without tyre | 2013-01-01 → | 2 |
| 8 | 1567099-0400 | Rear wheel 26" Starec X, Tecno, without handrim, without tyre <i>Replaces 904.1133.950</i> | | 2 |
| 8 | 1567099-0401 | Rear wheel 26" Starec X, Lemon, without handrim, without tyre <i>Replaces 904.1133.951</i> | 2007-10-01 → 2012-12-31 | 2 |
| 8 | 1567099-0404 | Rear wheel 26" Starec X, B-blue, without handrim, without tyre <i>Replaces 904.1133.957</i> | | 2 |
| 8 | 1567099-0440 | Rear wheel 26" Starec X, Comet red, without handrim, without tyre <i>Replaces 904.1133-0440</i> | | 2 |
| 8 | 1567099-0441 | Rear wheel 26" Starec X, arctic blue, without handrim, without tyre <i>Replaces 904.1133-0441</i> | 2010-01-01 → | 2 |
| 8 | 1567099-0444 | Rear wheel 26" Starec X, copper glaze, without handrim, without tyre <i>Replaces 904.1133-0444</i> | | 2 |
| 9 | 904.1190 | Rear wheel 26", Starec hub X, without handrim, light wall | | 2 |
| 10 | 904.1146 | Rear wheel 26", Starec hub X, without handrim, Indoor sports | 2007-10-01 → 2012-12-31 | 2 |
| 11 | 1554403-0407 | Rear wheel 26", Starec X, colourless, without handrim, marathon | | 2 |
| 11 | 1554403-0001 | Rear wheel 26" Starec X, chrome, without handrim, marathon evolution | 2011-07-01 → | 2 |
| 11 | 1554403-0182 | Rear wheel 26" Starec X, champagne, without handrim, marathon evolution | 2013-01-01 → | 2 |
| 11 | 1554403-0183 | Rear wheel 26" Starec X, olive, without handrim, marathon evolution | 2013-01-01 → | 2 |
| 11 | 1554403-0400 | Rear wheel 26" Starec X, tecno, without handrim, marathon evolution | | 2 |
| 11 | 1554403-0401 | Rear wheel 26" Starec X, lemon, without handrim, marathon evolution | 2007-10-01 → 2012-12-31 | 2 |
| 11 | 1554403-0404 | Rear wheel 26" Starec X, b-blue, without handrim, marathon evolution | | 2 |
| 11 | 1554403-0440 | Rear wheel 26" Starec X, comet red, without handrim, marathon evolution | | 2 |
| 11 | 1554403-0441 | Rear wheel 26" Starec X, arctic blue, without handrim, marathon evolution | 2010-01-01 → | 2 |
| 11 | 1554403-0444 | Rear wheel 26" Starec X, copper glaze, without handrim, marathon evolution | | 2 |
| 14 | 904.1193 | Rear wheel 26", Starec hub R, handrim, light wall | 2007-10-01 → 2014-12-31 | 2 |
| 15 | 904.1155 | Rear wheel 26", Starec hub R, handrim, Indoor sports | 2007-10-01 → 2012-12-31 | 2 |
| 16 | 1554402-0407 | Rear wheel 26", Starec R, colourless, handrim, marathon evolution | 2007-10-01 → 2014-12-31 | 2 |
| 16 | 1554402-0001 | Rear wheel 26" Starec R, chrome, handrim, marathon evolution | 2011-07-01 → 2014-12-31 | 2 |
| 16 | 1554402-0182 | Rear wheel 26" Starec R, champagne, handrim, marathon evolution | 2013-01-01 → 2014-12-31 | 2 |

26" Küschall wheels complete

| Pos. | Part number | Description | Valid from → until | Qty |
|------|--------------|---|----------------------------|-----|
| 16 | 1554402-0183 | Rear wheel 26" Starec R, olive, handrim, marathon evolution | 2013-01-01 → 2014-12-31 | 2 |
| 16 | 1554402-0400 | Rear wheel 26" Starec R, tecno, handrim, marathon evolution | 2007-10-01 → 2014-12-31 | 2 |
| 16 | 1554402-0401 | Rear wheel 26" Starec R, lemon, handrim, marathon evolution | 2007-10-01 → 2012-12-31 | 2 |
| 16 | 1554402-0404 | Rear wheel 26" Starec R, b-blue, handrim, marathon evolution | 2007-10-01 → 2014-12-31 | 2 |
| 16 | 1554402-0440 | Rear wheel 26" Starec R, comet red, handrim, marathon evolution | 2007-10-01 → 2014-12-31 | 2 |
| 16 | 1554402-0441 | Rear wheel 26" Starec R, arctic blue, handrim, marathon evolution | 2010-01-01 → 2014-12-31 | 2 |
| 16 | 1554402-0444 | Rear wheel 26" Starec R, coppfer glaze, handrim, marathon evolution | 2007-10-01 → 2014-12-31 | 2 |
| 17 | 904.1187 | Rear wheel 26", Starec hub X, handrim, light wall | | 2 |
| 18 | 904.1129 | Rear wheel 26", Starec hub X, handrim, Indoor sports | 2007-10-01 → 2012-12-31 | 2 |
| 19 | 1554417-0407 | Rear wheel 26", Starec X, colourless, handrim, marathon evolution | | 2 |
| 19 | 1554417-0001 | Rear wheel 26" Starec X, chrome, handrim, marathon evolution | 2011-07-01 → | 2 |
| 19 | 1554417-0182 | Rear wheel 26" Starec X, champagne, handrim, marathon evolution | 2013-01-01 → | 2 |
| 19 | 1554417-0183 | Rear wheel 26" Starec X, olive, handrim, marathon evolution | 2013-01-01 → | 2 |
| 19 | 1554417-0400 | Rear wheel 26" Starec X, tecno, handrim, marathon evolution | | 2 |
| 19 | 1554417-0401 | Rear wheel 26" Starec X, lemon, handrim, marathon evolution | 2007-10-01 → 2012-12-31 | 2 |
| 19 | 1554417-0404 | Rear wheel 26" Starec X, b-blue, handrim, marathon evolution | | 2 |
| 19 | 1554417-0440 | Rear wheel 26" Starec X, comet red, handrim, marathon evolution | | 2 |
| 19 | 1554417-0441 | Rear wheel 26" Starec X, arctic blue, handrim, marathon evolution | 2010-01-01 → | 2 |
| 19 | 1554417-0444 | Rear wheel 26" Starec X, coppfer glaze, handrim, marathon evolution | | 2 |
| 20 | 1571073 | Spokereflection, pair <i>Replaces 220.1033</i> | | 1 |
| 22 | 1579089 | Spokes 262mm complete, kit 10 Pcs. | 2007-10-01 → 2014-12-31 | 1 |
| 23 | 1579090 | Spokes 278mm complete, kit 10 Pcs. | | 1 |

High Performance wheel

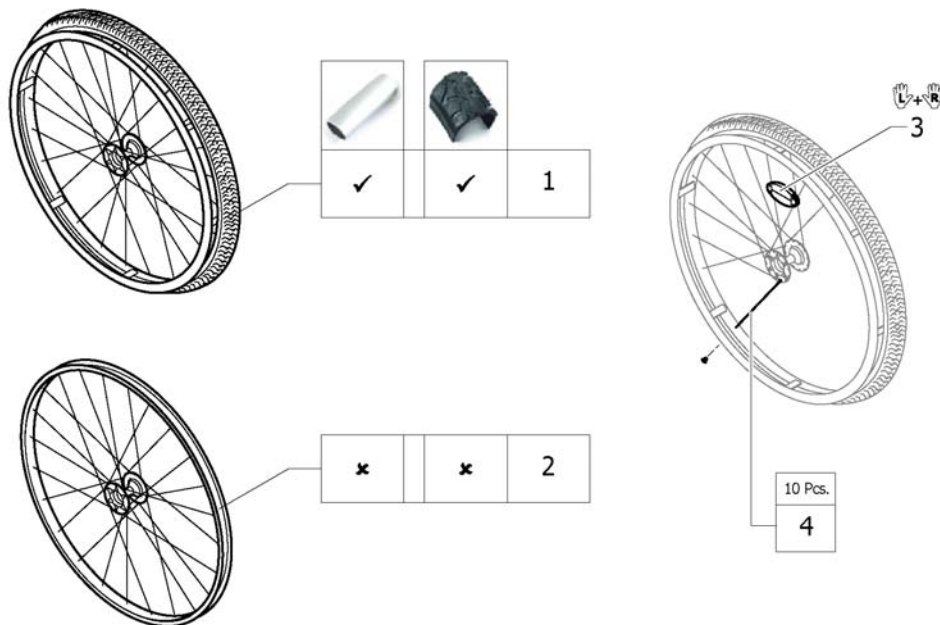


| Pos. | Part number | Description | Valid from → until | Qty |
|------|--------------|--|----------------------------|-----|
| 1 | 1420958-0004 | Wheel 24", High Performance, black, handrim alu, tyre light | 2010-01-01 → | 2 |
| 1 | 1420958-0001 | Wheel 24", High Performance, chrome, handrim alu, tyre light wall | 2011-07-01 → | 2 |
| 1 | 1420958-0182 | Wheel 24", High Performance, champagne, handrim alu, tyre light | 2013-01-01 → | 2 |
| 1 | 1420958-0183 | Wheel 24", High Performance, olive, handrim alu, tyre light | 2013-01-01 → | 2 |
| 1 | 1420958-0400 | Wheel 24", High Performance, techno-anthracite, handrim alu, tyre light | | 2 |
| 1 | 1420958-0401 | Wheel 24", High Performance, lemon, handrim alu, tyre light wall | 2007-10-01 → 2012-12-31 | 2 |
| 1 | 1420958-0404 | Wheel 24", High Performance, b-blue, handrim alu, tyre light wall | | 2 |
| 1 | 1420958-0440 | Wheel 24", High Performance, comet red, handrim alu, tyre light wall | | 2 |
| 1 | 1420958-0441 | Wheel 24", High Performance, arctic blue, handrim alu, tyre light wall | 2010-01-01 → | 2 |
| 1 | 1420958-0444 | Wheel 24", High Performance, copper glaze, handrim alu, tyre light wall | | 2 |
| 2 | 1527046-0004 | Wheel 24", High Performance, black, handrim alu, tyre Marathon Evolution | 2010-01-01 → | 2 |
| 2 | 1527046-0001 | Wheel 24", High Performance, chrome, handrim alu, tyre Marathon Evolution | 2011-07-01 → | 2 |
| 2 | 1527046-0182 | Wheel 24", High Performance, champagne, handrim alu, tyre Marathon Evolution | 2013-01-01 → | 2 |
| 2 | 1527046-0183 | Wheel 24", High Performance, olive, handrim alu, tyre Marathon Evolution | 2013-01-01 → | 2 |
| 2 | 1527046-0400 | Wheel 24", High Performance, techno-anthracite, handrim alu, tyre Marathon Evolution | | 2 |
| 2 | 1527046-0401 | Wheel 24", High Performance, lemon, handrim alu, tyre Marathon Evolution | 2007-10-01 → 2012-12-31 | 2 |
| 2 | 1527046-0404 | Wheel 24", High Performance, b-blue, handrim alu, tyre Marathon Evolution | | 2 |
| 2 | 1527046-0440 | Wheel 24", High Performance, comet red, handrim alu, tyre Marathon Evolution | | 2 |
| 2 | 1527046-0441 | Wheel 24", High Performance, arctic blue, handrim alu, tyre Marathon Evolution | 2010-01-01 → | 2 |
| 2 | 1527046-0444 | Wheel 24", High Performance, copper glaze, handrim alu, tyre Marathon Evolution | | 2 |
| 3 | 1445479-0004 | Wheel 25", High Performance, black, handrim alu, tyre Marathon Evolution | 2010-01-01 → | 2 |
| 3 | 1445479-0001 | Wheel 25", High Performance, chrome, handrim alu, tyre Marathon Evolution | 2011-07-01 → | 2 |

High Performance wheel

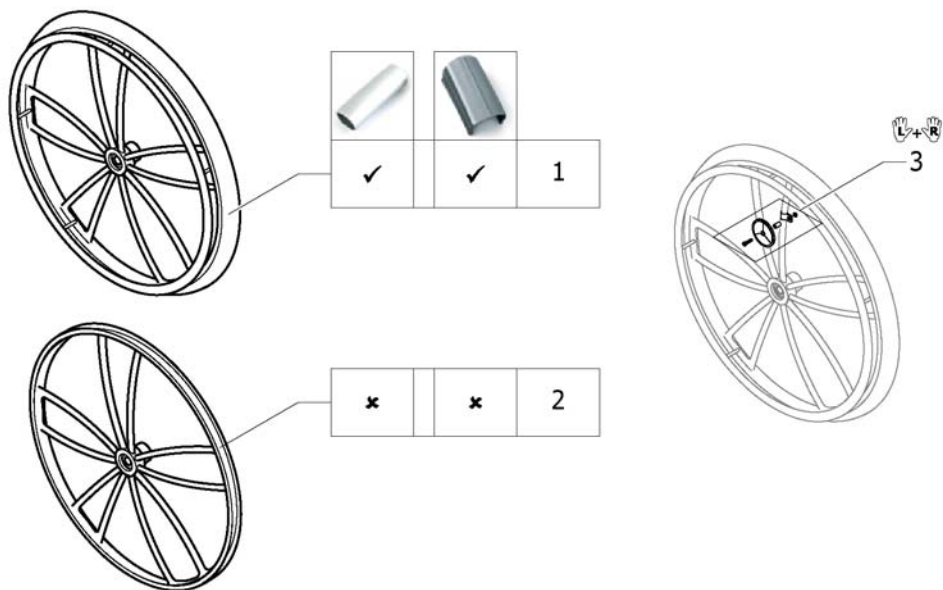
| Pos. | Part number | Description | Valid from → until | Qty |
|------|--------------|--|----------------------------|-----|
| 3 | 1445479-0182 | Wheel 25", High Performance, champagne, handrim alu, tyre Marathon Evolution | 2013-01-01 → | 2 |
| 3 | 1445479-0183 | Wheel 25", High Performance, olive, handrim alu, tyre Marathon Evolution | 2013-01-01 → | 2 |
| 3 | 1445479-0400 | Wheel 25", High Performance, techno-anthracite, handrim alu, tyre Marathon Evolution | | 2 |
| 3 | 1445479-0401 | Wheel 25", High Performance, lemon, handrim alu, tyre Marathon Evolution | 2007-10-01 → 2012-12-31 | 2 |
| 3 | 1445479-0404 | Wheel 25", High Performance, b-blue, handrim alu, tyre Marathon Evolution | | 2 |
| 3 | 1445479-0440 | Wheel 25", High Performance, comet red, handrim alu, tyre Marathon Evolution | | 2 |
| 3 | 1445479-0441 | Wheel 25", High Performance, arctic blue, handrim alu, tyre Marathon Evolution | 2010-01-01 → | 2 |
| 3 | 1445479-0444 | Wheel 25", High Performance, copper glaze, handrim alu, tyre Marathon Evolution | | 2 |
| 4 | 1517723-0004 | Wheel 24", High Performance, black, without handrim, without tyre | 2010-01-01 → | 2 |
| 4 | 1517723-0001 | Wheel 24", High Performance, chrome, without handrim, without tyre | 2011-07-01 → | 2 |
| 4 | 1517723-0182 | Wheel 24", High Performance, champagne, without handrim, without tyre | 2013-01-01 → | 2 |
| 4 | 1517723-0183 | Wheel 24", High Performance, olive, without handrim, without tyre | 2013-01-01 → | 2 |
| 4 | 1517723-0400 | Wheel 24", High Performance, techno-anthracite, without handrim, without tyre | | 2 |
| 4 | 1517723-0401 | Wheel 24", High Performance, lemon, without handrim, without tyre | 2007-10-01 → 2012-12-31 | 2 |
| 4 | 1517723-0404 | Wheel 24", High Performance, b-blue, without handrim, without tyre | | 2 |
| 4 | 1517723-0440 | Wheel 24", High Performance, comet red, without handrim, without tyre | | 2 |
| 4 | 1517723-0441 | Wheel 24", High Performance, arctic blue, without handrim, without tyre | 2010-01-01 → | 2 |
| 4 | 1517723-0444 | Wheel 24", High Performance, copper glaze, without handrim, without tyre | | 2 |
| 5 | 1562937-0004 | Wheel 25", High Performance, black, without handrim, without tyre | 2010-01-01 → | 2 |
| 5 | 1562937-0001 | Wheel 25", High Performance, chrome, without handrim, without tyre | 2011-07-01 → | 2 |
| 5 | 1562937-0182 | Wheel 25", High Performance, champagne, without handrim, without tyre | 2013-01-01 → | 2 |
| 5 | 1562937-0183 | Wheel 25", High Performance, olive, without handrim, without tyre | 2013-01-01 → | 2 |
| 5 | 1562937-0400 | Wheel 25", High Performance, techno-anthrac., without handrim, without tyre | | 2 |
| 5 | 1562937-0401 | Wheel 25", High Performance, lemon, without handrim, without tyre | 2007-10-01 → 2012-12-31 | 2 |
| 5 | 1562937-0404 | Wheel 25", High Performance, b-blue, without handrim, without tyre | | 2 |
| 5 | 1562937-0440 | Wheel 25", High Performance, comet red, without handrim, without tyre | | 2 |
| 5 | 1562937-0441 | Wheel 25", High Performance, arctic blue, without handrim, without tyre | 2010-01-01 → | 2 |
| 5 | 1562937-0444 | Wheel 25", High Performance, copper glaze, without handrim, without tyre | | 2 |
| 6 | 1571073 | Spokereflection, pair <i>Replaces 220.1033</i> | | 1 |
| 7 | 1578867 | Spokes kit for High Performance wheel 24", 10 Pcs. | | 1 |
| 8 | 1578868 | Spokes kit for High Performance wheel 25", 10 Pcs. | | 1 |

Mountainbike wheel



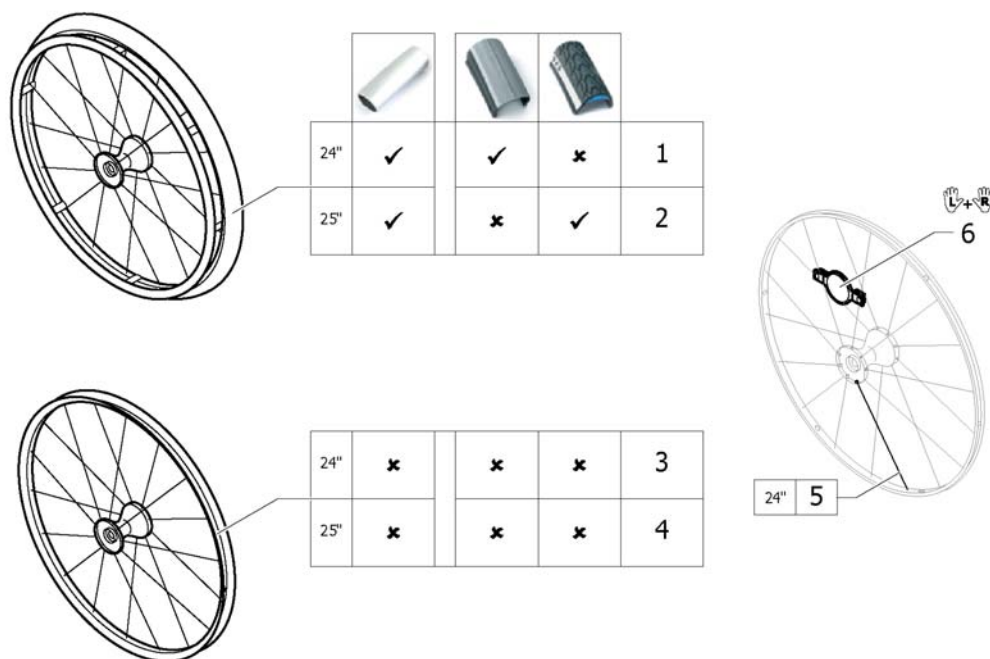
| Pos. | Part number | Description | Valid from → until | Qty |
|------|-------------|--|--------------------|-----|
| 1 | 1517875 | Rear wheel 24", Mountain Bike, handrim alu, tyre MTB <i>Replaces 1420959</i> | | 2 |
| 2 | 1529327 | Rear wheel Mountain Bike 24", without handrim, without tyre <i>Replaces 1439420</i> | | 2 |
| 3 | 1571073 | Spokereflection, pair <i>Replaces 220.1033</i> | | 1 |
| 4 | 1579085 | Spokes kit for Mountain Bike wheel, 10 Pcs. | | 1 |

Spider wheel



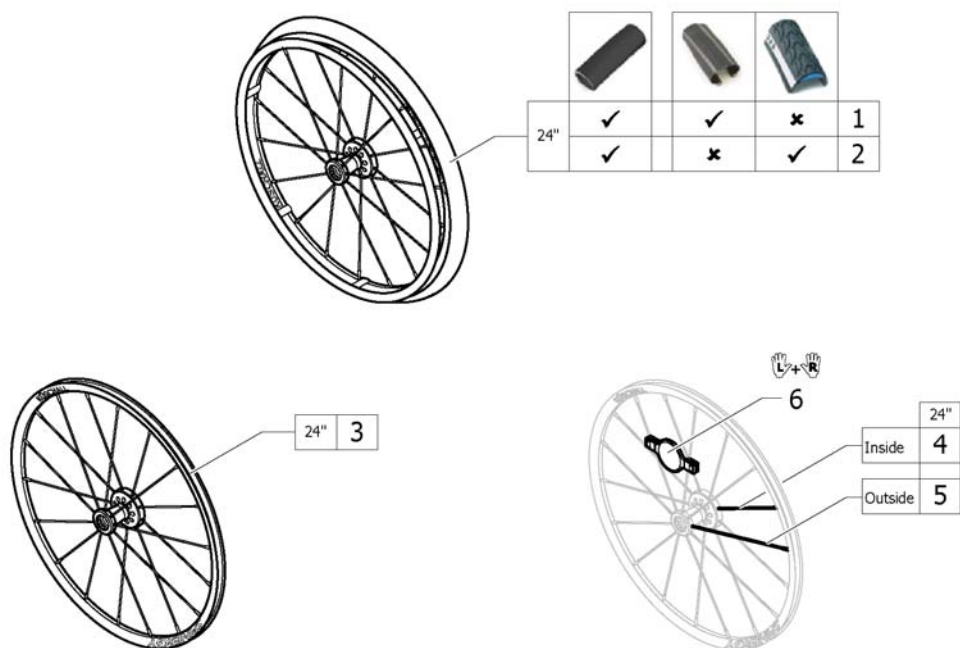
| Pos. | Part number | Description | Valid from → until | Qty |
|------|--------------|--|-------------------------|-----|
| 1 | 904.1201.000 | Rear wheel 24", Spiderwheel, handrim alu, tyre light wall | 2007-10-01 → 2012-12-31 | 2 |
| 2 | 1424944 | Rear wheel 24", Spiderwheel without handrim, without tyre | 2007-10-01 → 2012-12-31 | 2 |
| 3 | 1571074 | Spoke reflection set for Spider wheel, pair <i>Replaces 1439352</i> | 2007-10-01 → 2012-12-31 | 1 |

Spinergy wheel



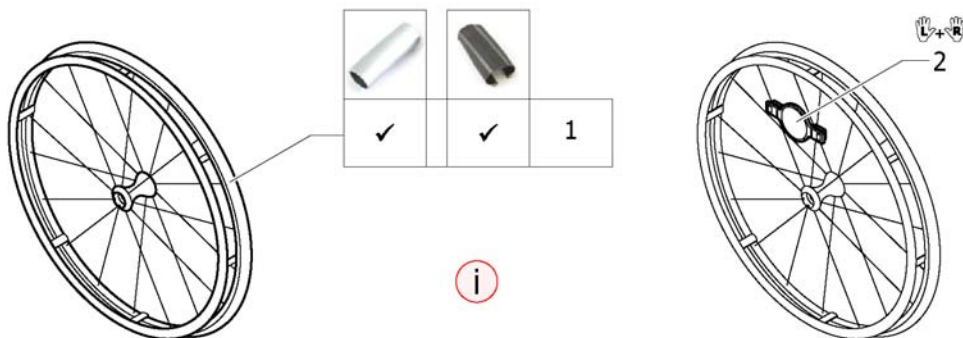
| Pos. | Part number | Description | Valid from → until | Qty |
|------|-------------|--|-------------------------|-----|
| 1 | 1485805 | Rear wheel 24", Spinergy, handrim Alu, tyre light wall | 2007-10-01 → 2013-12-31 | 2 |
| 2 | 1525127 | Rear wheel 25", Spinergy, handrim Alu, tyre Mararthon Evolution | 2009-01-01 → 2013-12-31 | 2 |
| 3 | 1570426 | Rear wheel 24", Spinergy, without handrim, without tyre | 2007-10-01 → 2013-12-31 | 2 |
| 4 | 1525128 | Rear wheel 25", Spinergy, without handrim, without tyre | 2009-01-01 → 2013-12-31 | 2 |
| 5 | 1579092 | Spoke for Spinergy wheel 24", 1 Pcs. | 2007-10-01 → 2013-12-31 | 36 |
| 6 | 1571088 | Spoke reflection for Spinergy wheel, pair <i>Replaces 1451931</i> | 2007-10-01 → 2013-12-31 | 1 |

Spinergy LXX wheel















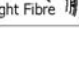
| Pos. | Part number | Description | Valid from → until | Qty |
|------|-------------|--|--------------------|-----|
| 1 | 1579101 | Rear wheel 24", Spinergy LXX, handrim aluminium black, tyre Schwalbe One | | 2 |
| 2 | 1579105 | Rear wheel 24", Spinergy LXX, handrim aluminium black, tyre Marathon Evolution | | 2 |
| 3 | 1579102 | Rear wheel 24", Spinergy LXX, without handrim, without tyre | | 2 |
| 4 | 1579103 | Spoke inside for Spinergy LXX wheel 24", 236mm., 1 Pcs. | | 9 |
| 5 | 1579104 | Spoke outside for Spinergy LXX wheel 24", 249mm., 1 Pcs. | | 9 |
| 6 | 1571088 | Spoke reflection for Spinergy wheel, pair | | 1 |

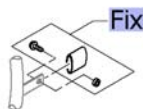
Ultra-light fibre wheel



| Pos. | Part number | Description | Valid from → until | Qty |
|------|-------------|---|----------------------------|-----|
| i | - | Special adapter sleeves long are necessary (see page: Folding units) | | 0 |
| 1 | 1578804 | Ultra-light fibre wheel with tyre Schwalbe One <i>Replaces 1547628</i> | 2013-11-20 → 2013-12-31 | 2 |
| 2 | 1571088 | Spoke reflection for Spinergy wheel, pair <i>Replaces 1451931</i> | | 1 |

Handrim

| | | | | | | | | | | | | | | | | | | | | |
|---|---|---|---|---|---|---|---|---|---|-----|-----|-----|-----|-----|-----|-----|-----|-----|-----|-----|
| |  |  |  |  |  |  |  |  |  | | | | | | | | | | | |
| |  | 22" | 24" | 25" | 26" | 22" | 24" | 25" | 26" | 24" | 24" | 26" | 22" | 24" | 26" | 24" | 25" | 24" | 26" | 24" |
|  | 3cm | 1 | 3 | 5 | 7 | 9 | 10 | 11 | 12 | 13 | 15 | 17 | 19 | 20 | 21 | 22 | 23 | 24 | 25 | 26 |
| | 4cm | 2 | 4 | 6 | 8 | - | - | - | - | 14 | 16 | 18 | - | - | - | - | - | - | - | - |
|  | 3cm | - | 3 | 5 | - | - | 10 | 11 | - | 13 | 15 | - | - | 20 | - | 22 | 23 | 24 | - | 26 |
| | 4cm | - | 4 | 6 | - | - | - | - | - | 14 | 16 | - | - | - | - | - | - | - | - | - |
|  | 3cm | 1 | - | - | - | 9 | - | - | - | - | - | - | - | - | - | - | - | - | - | - |
| | 4cm | 2 | - | - | - | - | - | - | - | - | - | - | 19 | - | - | - | - | - | - | - |
|  | 3cm | - | 27 | - | - | - | - | - | - | 28 | - | - | - | 29 | - | - | - | - | - | - |
| | 4cm | - | - | - | - | - | - | - | - | - | - | - | - | - | - | - | - | - | - | - |
|  | 3cm | - | 3 | 5 | - | - | 10 | 11 | - | 13 | 15 | - | - | 20 | - | 22 | 23 | 24 | - | 26 |
| | 4cm | - | 4 | 6 | - | - | - | - | - | 14 | 16 | - | - | - | - | - | - | - | - | - |
|  | 3cm | - | 3 | - | - | - | 10 | - | - | 13 | 15 | - | - | 20 | - | 22 | - | - | - | - |
| | 4cm | - | 4 | - | - | - | - | - | - | 14 | 16 | - | - | - | - | - | - | - | - | - |
|  | 3cm | - | 3 | - | - | - | 10 | - | - | 13 | 15 | - | - | 20 | - | 22 | - | 24 | - | 26 |
| | 4cm | - | 4 | - | - | - | - | - | - | 14 | 16 | - | - | - | - | - | - | - | - | - |

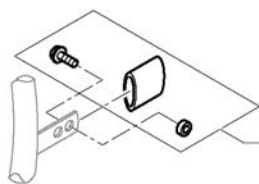


| Pos. | Part number | Description | Valid from → until | Qty |
|------|--------------|---|--------------------|-----|
| Fix | - | Fixation handrim | | 1 |
| 1 | 1568713-0005 | Handrim 22" Aluminium, distance 3cm | 2013-07-01 → | 2 |
| 2 | 1568700 | Handrim 22" Alu, 4cm <i>Replaces 457.1023</i> | | 2 |
| 3 | 1568714-0005 | Handrim 24" Aluminium, distance 3cm | 2013-07-01 → | 2 |
| 4 | 1568702 | Handrim 24" Alu light, colourless anodized, 4cm <i>Replaces 1432287-0005</i> | | 2 |
| 5 | 1568730-0005 | Handrim 25" Aluminium, distance 3cm | 2013-07-01 → | 2 |
| 6 | 1568708 | Handrim 25" Alu light for high performance, 4cm <i>Replaces 1420890-0005</i> | | 2 |
| 7 | 1568731-0005 | Handrim 26" Aluminium, distance 3cm | 2013-07-01 → | 2 |
| 8 | 1568709 | Handrim 26" Alu, 4cm <i>Replaces 457.1043</i> | | 2 |
| 9 | 1568713-0411 | Handrim 22" Aluminium, black, distance 3cm | 2013-07-01 → | 2 |
| 10 | 1568714-0411 | Handrim 24" Aluminium, black, distance 3cm | 2013-07-01 → | 2 |
| 11 | 1568730-0411 | Handrim 25" Aluminium, black, distance 3cm | 2013-07-01 → | 2 |
| 12 | 1568731-0411 | Handrim 26" Aluminium, black, distance 3cm | 2013-07-01 → | 2 |
| 13 | 1568716 | Handrim 24" Titanium, distance 3cm | 2013-07-01 → | 2 |
| 14 | 1568705 | Handrim 24" Titanium, 4cm <i>Replaces 457.1051</i> | | 2 |
| 15 | 1568715 | Handrim 24" steel polished, distance 3cm | 2013-07-01 → | 2 |
| 16 | 1568704 | Handrim 24" steel polished, 4cm <i>Replaces 457.1009</i> | | 2 |
| 17 | 1568777 | Handrim 26" steel polished, distance 3cm | 2013-07-01 → | 2 |
| 18 | 1568711 | Handrim 26" steel polished, 4cm <i>Replaces 457.1010</i> | | 2 |
| 19 | 1568701 | Handrim 22" Super-Grip <i>Replaces 457.1045.429</i> | | 2 |
| 20 | 1568703 | Handrim 24" Super-Grip <i>Replaces 457.1017.429</i> | | 2 |
| 21 | 1568710 | Handrim 26" Super-Grip <i>Replaces 457.1046.429</i> | | 2 |
| 22 | 1556916 | Handrim 24" LT Surge | 2012-01-01 → | 2 |
| 23 | 1556917 | Handrim 25" LT Surge | 2012-01-01 → | 2 |

Handrim

| Pos. | Part number | Description | Valid from → until | Qty |
|------|--------------|---|----------------------------|-----|
| 24 | 1568706 | Handrim 24" Tetra <i>Replaces 457.1052.000</i> | 2007-10-01 → 2011-12-31 | 2 |
| 25 | 1568712 | Handrim 26" Tetra <i>Replaces 1436971</i> | 2007-10-01 → 2011-12-31 | 2 |
| 26 | 1568707 | Handrim 24" Maxgrip <i>Replaces 905.5002</i> | 2007-10-01 → 2011-12-31 | 2 |
| 27 | 457.1053.000 | Handrim 24" Alu for Spider wheel | 2007-10-01 → 2012-12-31 | 2 |
| 28 | 1416801 | Handrim 24" Titan for Spider Wheel | 2007-10-01 → 2012-12-31 | 2 |
| 29 | 1416802 | Handrim 24" Super-Grip for Spider wheel | 2007-10-01 → 2012-12-31 | 2 |

Fixation handrim

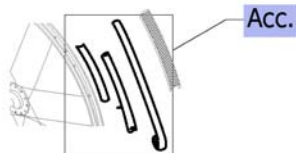


| | | Aluminium | | Titanium | | Steel | | Supergrip | | Surge | | Tetra | | Maxgrip | | | |
|--|-----|-----------|---|----------|---|-------|---|-----------|---|-------|---|-------|----|---------|----|---|---|
| | | | | | | | | | | | | | | | | | |
| | 3cm | 1 | 1 | 1 | 1 | 1 | 1 | 1 | 1 | 3 | 3 | 12 | 12 | 1 | 1 | | |
| | 4cm | 2 | 3 | - | - | 2 | 3 | 2 | 3 | 2 | 3 | - | - | - | - | 2 | 3 |
| | 3cm | 4 | 4 | 4 | 4 | 4 | 4 | 4 | 4 | 4 | 4 | 6 | 4 | 12 | 12 | 4 | 4 |
| | 4cm | 5 | 6 | - | - | 5 | 6 | 5 | 6 | 5 | 6 | - | - | - | - | 5 | 6 |
| | 3cm | 7 | 7 | 7 | 7 | - | - | - | - | 7 | 7 | - | - | - | - | - | - |
| | 4cm | 8 | 9 | - | - | - | - | - | - | 8 | 9 | - | - | - | - | - | - |
| | 3cm | 10 | - | - | - | 10 | - | - | - | 10 | - | - | - | - | - | - | - |
| | 4cm | 11 | - | - | - | 11 | - | - | - | 11 | - | - | - | - | - | - | - |
| | 3cm | 7 | - | 7 | - | 7 | - | 7 | - | 9 | - | 12 | - | 7 | - | - | - |
| | 4cm | 8 | - | - | - | 8 | - | 8 | - | 8 | - | - | - | 8 | - | - | - |
| | 3cm | 4 | - | 4 | - | 4 | - | 4 | - | 6 | - | - | - | - | - | - | - |
| | 4cm | 5 | - | - | - | 5 | - | 5 | - | 5 | - | - | - | - | - | - | - |
| | 3cm | 4 | - | 4 | - | 4 | - | 4 | - | 6 | - | 12 | - | 4 | - | - | - |
| | 4cm | 5 | - | - | - | 5 | - | 5 | - | 5 | - | - | - | 5 | - | - | - |

| Pos. | Part number | Description | Valid from → until | Qty |
|------|-------------|---|----------------------------|-----|
| 1 | 1495958 | Fixation kit handrim, 3 cm | | 2 |
| 2 | 1495959 | Fixation kit handrim, 4 cm | | 2 |
| 3 | 1495961 | Fixation kit handrim, 4 cm with spokes guard | | 2 |
| 4 | 1496019 | Fixation kit handrim for High Performance wheel, 3 cm | | 2 |
| 5 | 1496020 | Fixation kit handrim for High Performance wheel, 4 cm | | 2 |
| 6 | 1497111 | Fixation kit handrim for High Performance wheel, 4 cm with spokes guard | | 2 |
| 7 | 1496015 | Fixation kit handrim for Mountain bike wheel, 3 cm | | 2 |
| 8 | 1496016 | Fixation kit handrim for Mountain bike wheel, 4 cm | | 2 |
| 9 | 1496018 | Fixation kit handrim for Mountain bike wheel, 4 cm with spokes guard | | 2 |
| 10 | 1418931 | Fixation kit handrim for Spider wheel, 3 cm | 2007-10-01 → 2012-12-31 | 2 |
| 11 | 1418932 | Fixation kit handrim for Spider wheel, 4 cm | 2007-10-01 → 2012-12-31 | 2 |
| 12 | 1570759 | Fixation kit handrim Tetra, 3 cm | 2007-10-01 → 2011-12-31 | 2 |





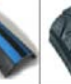









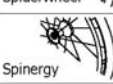



Tyre

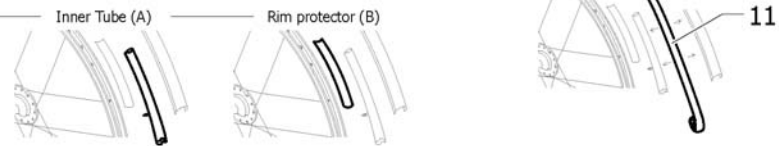
| | | | | | | | | | | | | | | | | | | | |
|--|-----|-----|-----|-----|-----|-----|-----|-----|-----|-----|-----|-----|-----|-----|-----|-----|-----|-----|-----|
| | | | | | | | | | | | | | | | | | | | |
| | 22" | 24" | 25" | 26" | 22" | 24" | 24" | 25" | 26" | 24" | 25" | 24" | 24" | 22" | 24" | 24" | 24" | 22" | 26" |
| | 1 | 5 | - | 18 | 2 | 6 | 7 | - | 19 | 8 | - | 10 | - | 3 | 12 | 13 | 14 | 4 | 20 |
| | - | 5 | 16 | - | - | 6 | 7 | 16 | - | 8 | 17 | 10 | - | - | - | - | - | - | - |
| | - | - | - | - | - | - | - | - | - | - | - | - | 11 | - | - | - | - | - | - |
| | - | 5 | - | - | - | 6 | 7 | - | - | 8 | - | 10 | - | - | 12 | 13 | 14 | - | - |
| | - | 5 | 16 | - | - | 6 | 7 | 16 | - | 8 | 17 | 10 | - | - | 12 | 13 | 14 | - | - |
| | - | 5 | - | - | - | 6 | 7 | - | - | 8 | - | 10 | - | - | - | - | - | - | - |
| | - | - | - | - | - | - | - | - | - | 8 | - | - | - | - | - | - | - | - | - |



| Pos. | Part number | Description | Valid from → until | Qty |
|------|-------------|---|----------------------------|-----|
| Acc. | - | Inner tube and rim protector | | 1 |
| 1 | 1570776 | Tyre Lightwall 22" <i>Replaces 728.1027</i> | | 2 |
| 2 | 1570836 | Treaded tyre 22" <i>Replaces 1493768</i> | | 2 |
| 3 | 1570837 | Solid tyre 22", light, grey <i>Replaces 728.1031</i> | | 2 |
| 5 | 1570828 | Tyre Light wall 24" <i>Replaces 1424749</i> | | 2 |
| 6 | 1570829 | Treaded Tyre 24" <i>Replaces 728.1002</i> | | 2 |
| 7 | 1570838 | Tyre 24" Marathon Evolution <i>Replaces 1438521</i> | | 2 |
| 8 | 1578802 | Tyre 24" Schwalbe One <i>Replaces 1528649</i> | 2013-11-20 → | 2 |
| 10 | 1562581 | Tyre 24" Rightrun blue | 2013-07-01 → | 2 |
| 11 | 1570830 | Tyre Mountain bike, 24" <i>Replaces 1420887</i> | | 2 |
| 12 | 1570839 | Solid tyre 24", light, grey <i>Replaces 728.1032</i> | | 2 |
| 13 | 1570831 | Solid tyre 24", profile <i>Replaces 728.1029</i> | | 2 |
| 14 | 1570840 | KIK-Type 24", black, fail-safe <i>Replaces 728.1015</i> | | 2 |
| 16 | 1570841 | Tyre 25" Marathon Evolution <i>Replaces 1493769</i> | | 2 |
| 17 | 1578803 | Tyre 25" Schwalbe One <i>Replaces 1528650</i> | 2013-11-20 → | 2 |
| 18 | 1570834 | Tyre Lightwall 26" <i>Replaces 728.1007</i> | | 2 |
| 19 | 1570842 | Tyre 26" Marathon Evolution <i>Replaces 1517977</i> | 2009-01-01 → | 2 |
| 20 | 1570835 | Indoor sports tyre 26" / 10 bar <i>Replaces 729.1002</i> | 2007-10-01 → 2012-12-31 | 2 |





Inner tube and rim protector

| | | | | | | | | | | | | | | | | | | | | | | |
|---|---|---|---|---|---|---|--|---|---|---|---|---|---|---|---|---|---|---|---|-----|-----|----|
| | |  |  |  |  |  |  |  |  |  |  |  | | | | | | | | | | |
| | | 22" | 24" | 25" | 26" | 22" | 24" | 24" | 25" | 26" | 24" | 25" | 24" | 24" | 22" | 24" | 24" | 24" | 24" | 22" | 26" | |
|  | A | 1 | 2 | - | 6 | 1 | 2 | 2 | - | 6 | 2 | - | 2 | - | - | - | - | - | - | - | - | - |
| | B | 7 | 8 | - | 10 | 7 | 8 | 8 | - | 10 | 8 | - | 8 | - | 7 | 8 | 8 | 8 | 8 | 8 | 7 | 10 |
|  | A | - | 2 | 5 | - | - | 2 | 2 | 5 | - | 2 | 5 | 2 | - | - | - | - | - | - | - | - | - |
| | B | - | 9 | 9 | - | - | 9 | 9 | 9 | - | 9 | 9 | 9 | - | - | - | - | - | - | - | - | - |
|  | A | - | - | - | - | - | - | - | - | - | - | - | - | 4 | - | - | - | - | - | - | - | - |
| | B | - | - | - | - | - | - | - | - | - | - | - | - | 7 | - | - | - | - | - | - | - | - |
|  | A | - | 2 | - | - | - | 2 | 2 | - | - | 2 | - | 2 | - | - | - | - | - | - | - | - | - |
| | B | - | 8 | - | - | - | 8 | 8 | - | - | 8 | - | 8 | - | - | 8 | 8 | 8 | 8 | 8 | - | - |
|  | A | - | 2 | 5 | - | - | 2 | 2 | 5 | - | 2 | 5 | 2 | - | - | - | - | - | - | - | - | - |
| | B | - | 9 | 9 | - | - | 9 | 9 | 9 | - | 9 | 9 | 9 | - | - | 9 | 9 | 9 | 9 | 9 | - | - |
|  | A | - | 2 | - | - | - | 2 | 2 | - | - | 2 | - | 2 | - | - | - | - | - | - | - | - | - |
| | B | - | 9 | - | - | - | 9 | 9 | - | - | 9 | - | 9 | - | - | - | - | - | - | - | - | - |
|  | A | - | - | - | - | - | - | - | - | - | 3 | - | - | - | - | - | - | - | - | - | - | - |
| | B | - | - | - | - | - | - | - | - | - | 9 | - | - | - | - | - | - | - | - | - | - | - |



| Pos. | Part number | Description | Valid from → until | Qty |
|------|-------------|---|----------------------------|-----|
| 1 | 1570848 | Inner Tube 22" x 1" <i>Replaces 727.1007</i> | | 2 |
| 2 | 1570849 | Inner Tube 24" x 1" <i>Replaces 727.1002</i> | | 2 |
| 3 | 1550284 | Inner Tube 24" for Ultra-light fibre wheel | 2007-10-01 → 2013-12-31 | 2 |
| 4 | 1570852 | Inner tube for Mountain bike <i>Replaces 1420884</i> | | 2 |
| 5 | 1570851 | Inner tube 26" for High-Performance wheel <i>Replaces 1430886</i> | | 2 |
| 6 | 1570850 | Inner Tube 26" x 1" <i>Replaces 727.1003</i> | | 2 |
| 7 | 1570844 | Rim protection 22" <i>Replaces 726.1005</i> | | 2 |
| 8 | 1570845 | Rim protection 24" Large <i>Replaces 726.1008.000</i> | | 2 |
| 9 | 1495962 | Rim Protection for High Performance / Spinergy wheel | | 2 |
| 10 | 1570846 | Rim protection 26" <i>Replaces 726.1003</i> | | 2 |
| 11 | 1571072 | Rear wheel inset anti-flat for 20,22,24,26" tyre <i>Replaces 1424917</i> | | 1 |

Spokes guard

| | | | | | | | | | | | |
|---|---|---|---|---|--|---|---|-----|-----|-----|-----|
| |  |  |  |  |  |  |  | | | | |
| | 22" | 24" | 26" | 24" | 24" | 24" | 24" | 22" | 24" | 22" | 24" |
|  Küschall wheel | 1 | 2 | 3 | 4 | 5 | 6 | 7 | 8 | 9 | 10 | 11 |
|  High Performance | - | 2 | - | 4 | 5 | 6 | 7 | - | 9 | - | 11 |
|  Mountainbike | 1 | - | - | - | - | - | - | 8 | - | 10 | - |
|  Spiderwheel | - | - | - | - | - | - | - | - | - | - | - |
|  Spinerger | - | 2 | - | 4 | 5 | 6 | 7 | - | 9 | - | 11 |
|  Spinerger LXX | - | - | - | - | - | - | - | - | - | - | - |
|  Ultra Light Fibre | - | - | - | - | - | - | - | - | - | - | - |

| Pos. | Part number | Description | Valid from → until | Qty |
|------|-------------|--|----------------------------|-----|
| 1 | 1564453 | Spokes guard Transparent 22" <i>Replaces 736.1005</i> | | 2 |
| 2 | 1564457 | Spokes guard Transparent 24" <i>Replaces 736.1004</i> | | 2 |
| 3 | 1564492 | Spokes guard Transparent 26" <i>Replaces 736.1003</i> | | 2 |
| 4 | 1564456 | Spokes guard Küschall, black 24" <i>Replaces 736.1002</i> | | 2 |
| 5 | 1564459 | Spokes guard Carbon 24" <i>Replaces 736.1014</i> | 2007-10-01 → 2013-12-31 | 2 |
| 6 | 1564462 | Spokes guard Switzerland 24" <i>Replaces 1497108</i> | 2007-10-01 → 2013-06-30 | 2 |
| 7 | 1564463 | Spokes guard Pirates 24" <i>Replaces 1497109</i> | 2007-10-01 → 2012-12-31 | 2 |
| 8 | 1564455 | Spokes guard Boa Boa 22" <i>Replaces 736.1019.000</i> | 2010-07-01 → 2012-12-31 | 2 |
| 9 | 1564460 | Spokes guard Boa Boa 24" <i>Replaces 736.1015</i> | 2007-10-01 → 2012-12-31 | 2 |

Quick release axle and bearing

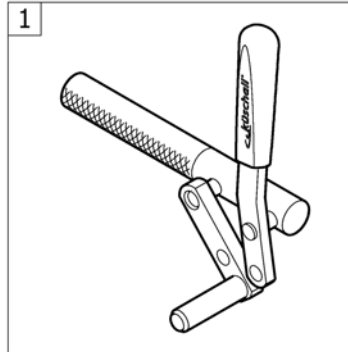
| | | | | | | | | | |
|--|---------------------------|---------|---------|--------|----|--|--|--|--|
| | Short 1° Long 4° | | | | | | | | |
| | Short Long | 1 2 | 3 4 | 5 6 | 12 | | | | |
| | Short Long | 1 2 | 3 4 | 5 6 | 12 | | | | |
| | Short Long | 1 2 | 3 4 | 5 6 | 12 | | | | |
| | Short Long | - - | 3 4 | 5 6 | 13 | | | | |
| | Short Long | 7 8 | 9 10 | - - | 12 | | | | |
| | Short Long | 7 8 | 9 10 | - - | 12 | | | | |
| | Short Long | - 11 | - 10 | - - | 12 | | | | |

| Pos. | Part number | Description | Valid from → until | Qty |
|------|--------------|--|----------------------------|-----|
| i | - | Special adapter sleeves long are necessary (see page: Folding units) | | 0 |
| 1 | 1512028-0001 | Quick release axles short with cap, pair, chrome | 2011-07-01 → | 1 |
| 1 | 1512028-0004 | Quick release axles short with cap, pair, black | 2010-01-01 → | 1 |
| 1 | 1512028-0182 | Quick release axles short with cap, pair, champagne | 2013-01-01 → | 1 |
| 1 | 1512028-0183 | Quick release axles short with cap, pair, olive | 2013-01-01 → | 1 |
| 1 | 1512028-0400 | Quick release axles short with cap, pair, techno-anthrazit | | 1 |
| 1 | 1512028-0401 | Quick release axles short with cap, pair, lemon | 2007-10-01 → 2012-12-31 | 1 |
| 1 | 1512028-0404 | Quick release axles short with cap, pair, b-blue | | 1 |
| 1 | 1512028-0407 | Quick release axles short with cap, pair, colourless | | 1 |
| 1 | 1512028-0440 | Quick release axles short with cap, pair, comet red | | 1 |
| 1 | 1512028-0441 | Quick release axles short with cap, pair, arctic blue | 2010-01-01 → | 1 |
| 1 | 1512028-0444 | Quick release axles short with cap, pair, copper glaze | | 1 |
| 2 | 1509137-0001 | Quick release axles long with cap, pair, chrome | 2011-07-01 → | 1 |
| 2 | 1509137-0004 | Quick release axles long with cap, pair, black | 2010-01-01 → | 1 |
| 2 | 1509137-0182 | Quick release axles long with cap, pair, champagne | 2013-01-01 → | 1 |
| 2 | 1509137-0183 | Quick release axles long with cap, pair, olive | 2013-01-01 → | 1 |
| 2 | 1509137-0400 | Quick release axles long with cap, pair, tecno anthracite | | 1 |
| 2 | 1509137-0401 | Quick release axles long with cap, pair, lemon | 2007-10-01 → 2012-12-31 | 1 |
| 2 | 1509137-0404 | Quick release axles long with cap, pair, b-blue | | 1 |
| 2 | 1509137-0407 | Quick release axles long with cap, pair, colourless | | 1 |
| 2 | 1509137-0440 | Quick release axles long with cap, pair, comet red | | 1 |
| 2 | 1509137-0441 | Quick release axles long with cap, pair, arctic blue | 2010-01-01 → | 1 |
| 2 | 1509137-0444 | Quick release axles long with cap, pair, copper glaze | | 1 |
| 3 | 1493754 | Tetra clip with quick release axle, pair, short | | 1 |
| 4 | 1493755 | Tetra clip with quick release axle, pair, long | | 1 |
| 7 | 1507626 | Quickrelease axle short with cap for Spinergy wheel, pair | | 1 |
| 8 | 1507627 | Quickrelease axle long with cap for Spinergy wheel, pair | | 1 |
| 9 | 1509562 | Tetra clip with quick release axle, short, for Spinergy wheel, pair | | 1 |
| 10 | 1512029 | Tetra clip with quick release axle, long, for Spinergy wheel, pair | | 1 |
| 11 | 1547629 | Quick release axles long with cap, pair, polished | 2011-07-01 → | 1 |

Quick release axle and bearing

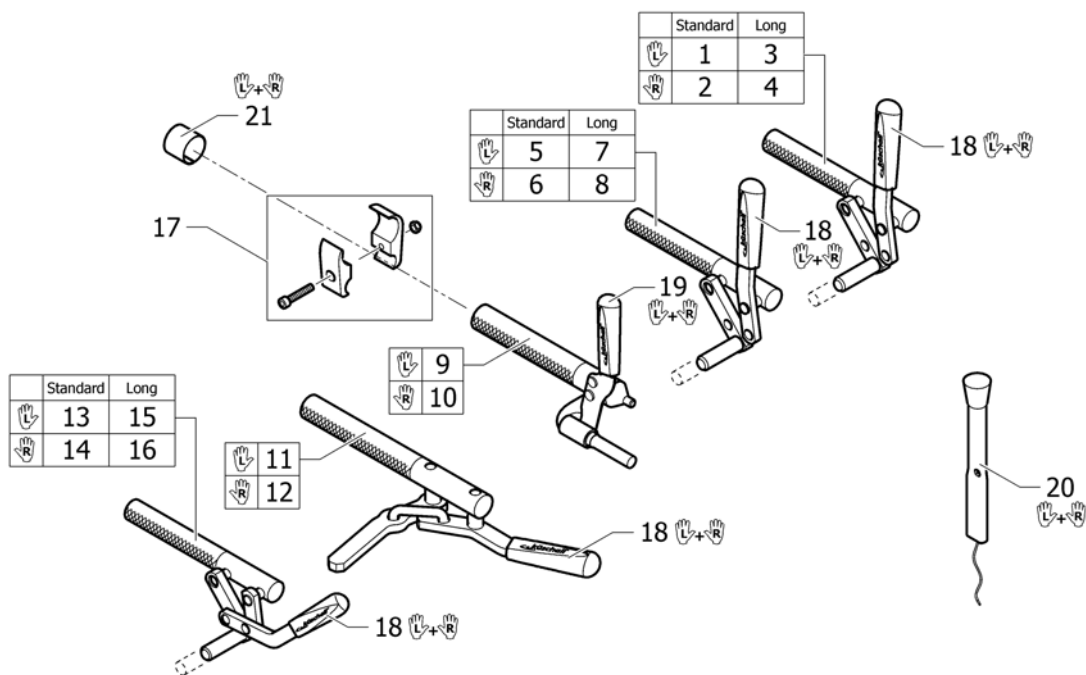
| Pos. | Part number | Description | Valid from → until | Qty |
|------|-------------|--|--------------------|-----|
| 12 | 1571069 | Bearing R8-2RS 1/2"/1.1/8"x5/16", pair <i>Replaces 1416804</i> | | 2 |
| 13 | 1571070 | Bearing for Spider wheel, pair <i>Replaces 270.1003 and 5719103</i> | | 2 |

BRAKES



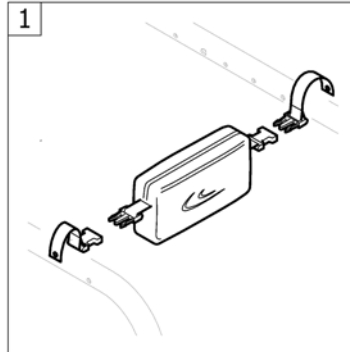
| Pos. | Part number | Description | Valid from → until | Qty |
|------|-------------|-------------|--------------------|-----|
| 1 | - | Brakes | | 1 |

Brakes



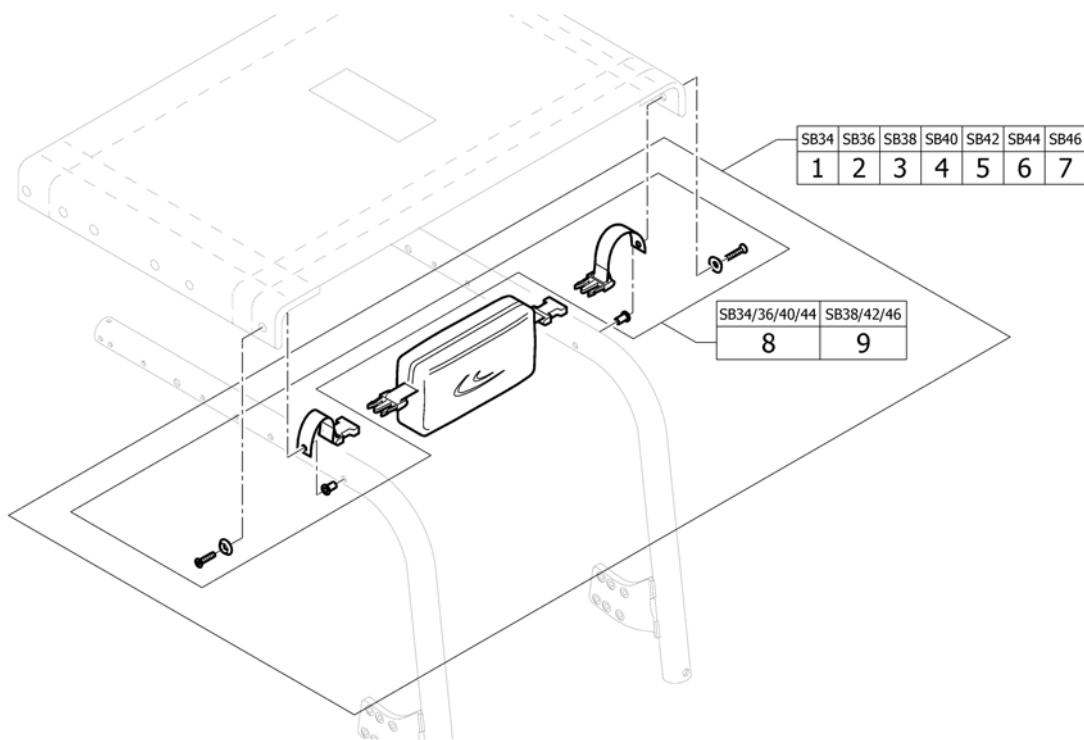
| Pos. | Part number | Description | Valid from → until | Qty |
|------|-------------|---|--------------------|-----|
| 1 | 1512127 | Brake, straight lever, left | | 1 |
| 2 | 1512128 | Brake, straight lever, right | | 1 |
| 3 | 1517658 | Brake, straight lever, long shoe, left | | 1 |
| 4 | 1517657 | Brake, straight lever, long shoe, right | | 1 |
| 5 | 1512125 | Brake, bent lever, left | | 1 |
| 6 | 1512126 | Brake, bent lever, right | | 1 |
| 7 | 1517656 | Brake, lever bent, long shoe, left | | 1 |
| 8 | 1517655 | Brake, lever bent, long shoe, right | | 1 |
| 9 | 1512131 | Performance brake left | | 1 |
| 10 | 1512132 | Performance brake right | | 1 |
| 11 | 1512133 | Active brake left | | 1 |
| 12 | 1512134 | Active brake right | | 1 |
| 13 | 1512129 | Pull brake left | | 1 |
| 14 | 1512130 | Pull brake right | | 1 |
| 15 | 1517660 | Pull brake, long shoe left | | 1 |
| 16 | 1517659 | Pull brake, long shoe right | | 1 |
| 17 | 1513176 | Clamping piece to brake, set | | 2 |
| 18 | 1513177 | Brake handle standard, pair | | 1 |
| 19 | 1513178 | Brake handle for performance brake, pair | | 1 |
| 20 | 1513179 | Brake lever extension, pair | | 1 |
| 21 | 1544424 | Sleeves for brake clamping pieces to titanium frames, pair <i>Used for Titanium frames</i> | | 1 |
| 22 | 1579328 | Brake shoe standard (40mm), kit 4 Pcs. <i>Replaces 500.1045 (4x)</i> | | 1 |
| 23 | 1579329 | Brake shoe long (50mm), kit 4 Pcs. <i>Replaces 500.1013 (4x)</i> | | 1 |

SEAT ACCESSORIES



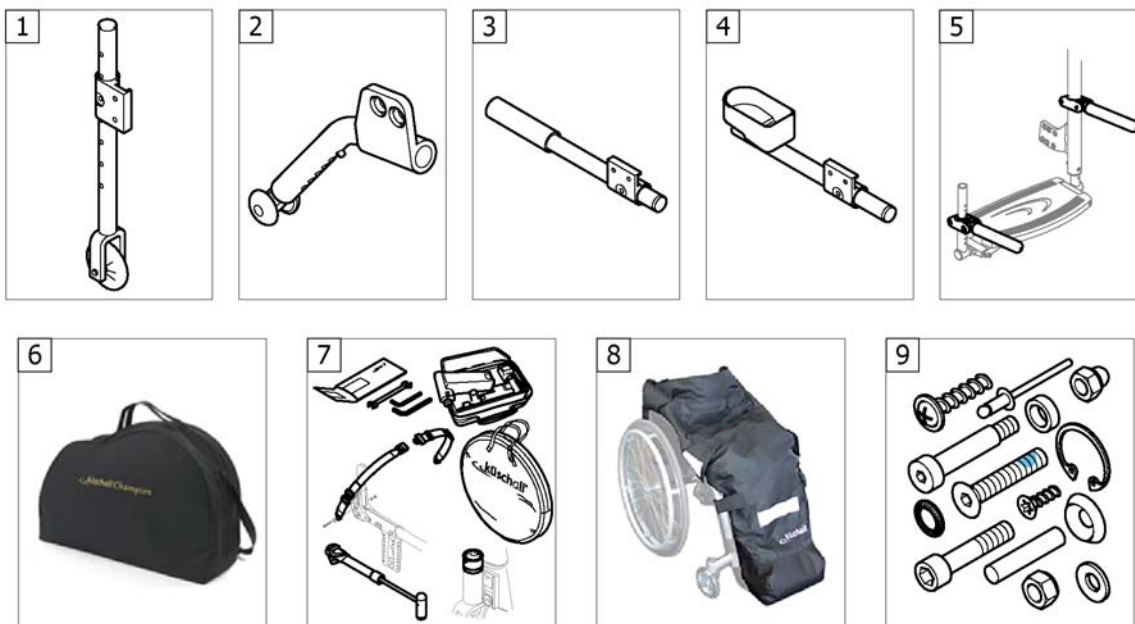
| Pos. | Part number | Description | Valid from → until | Qty |
|------|-------------|-------------|--------------------|-----|
| 1 | - | Seat bag | | 1 |

Seat bag



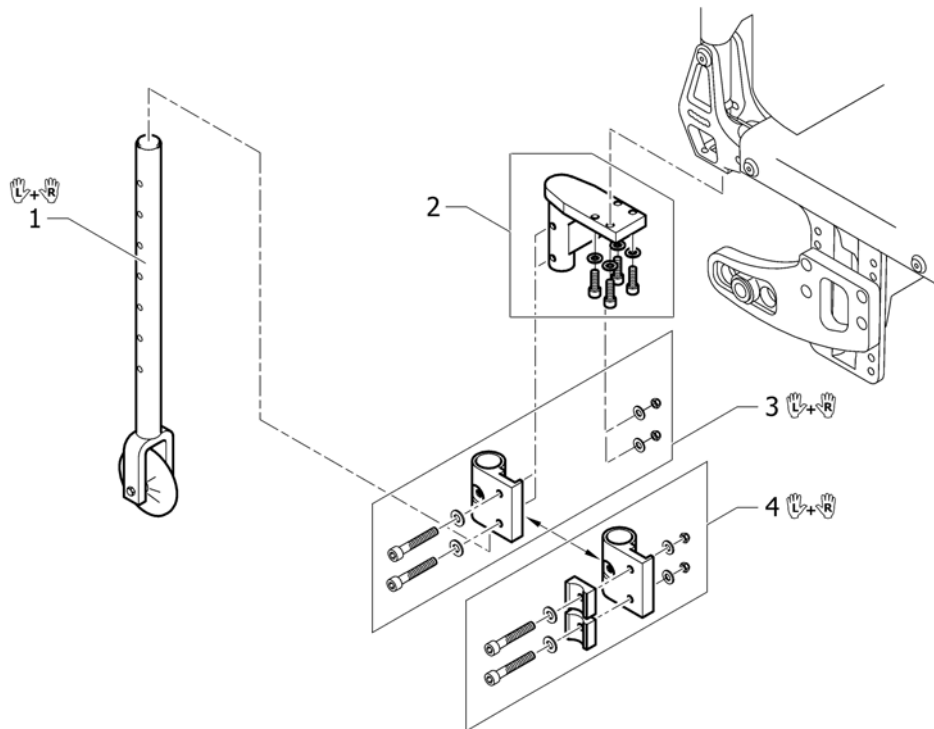
| Pos. | Part number | Description | Valid from → until | Qty |
|------|-------------|-------------------------------|--------------------|-----|
| 1 | 1512052 | Seat bag SB34 | | 1 |
| 2 | 1512053 | Seat bag SB36 | | 1 |
| 3 | 1512054 | Seat bag SB38 | | 1 |
| 4 | 1512055 | Seat bag SB40 | | 1 |
| 5 | 1512056 | Seat bag SB42 | | 1 |
| 6 | 1512057 | Seat bag SB44 | | 1 |
| 7 | 1512058 | Seat bag SB46 | | 1 |
| 8 | 1517640 | Fixing clip for SB34/36/40/44 | | 1 |
| 9 | 1517641 | Fixing clip for SB38/42/46 | | 1 |

OPTIONS & ACCESSORIES



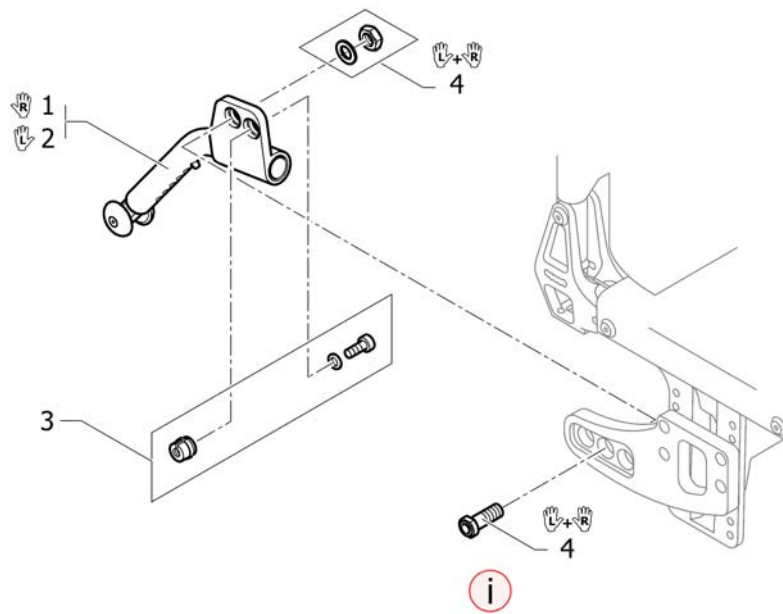
| Pos. | Part number | Description | Valid from → until | Qty |
|------|-------------|-----------------------|--------------------|-----|
| 1 | - | Transit wheel | | 1 |
| 2 | - | Antitipper | | 1 |
| 3 | - | Tipper aid | | 1 |
| 4 | - | Cane holder | | 1 |
| 5 | - | Luggage holder | | 1 |
| 6 | - | Transport bag | | 1 |
| 7 | - | Chair accessories | | 1 |
| 8 | - | Winter accessories | | 1 |
| 9 | - | Fixation: screws, ... | | 1 |

Transit wheel



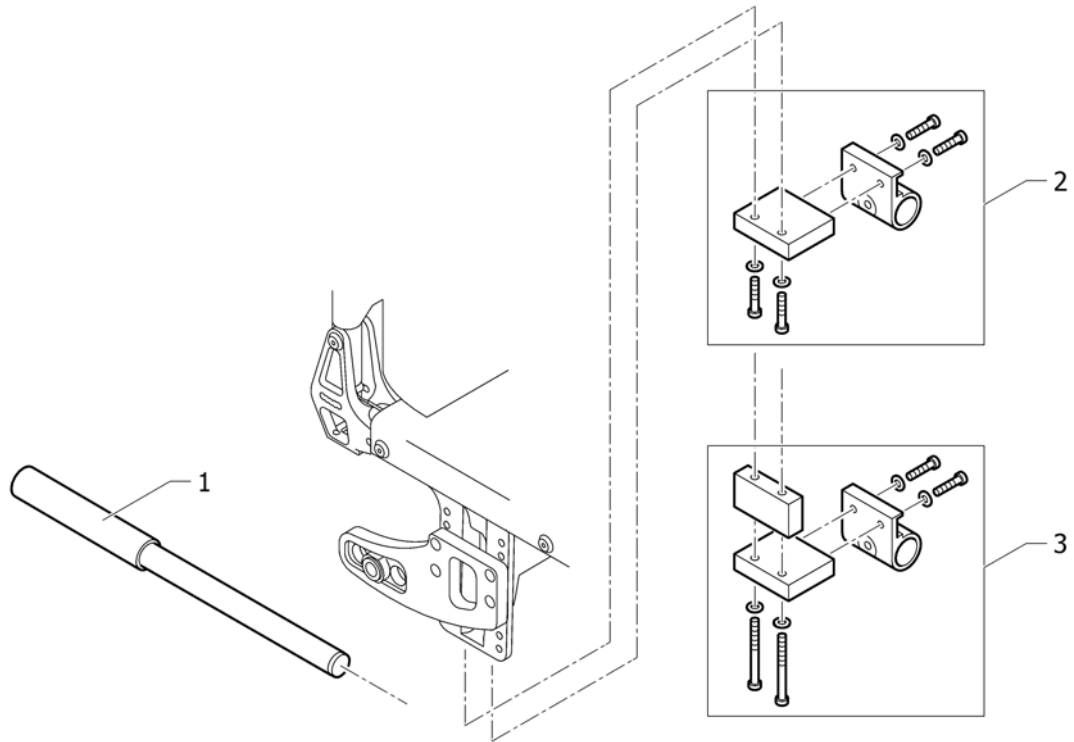
| Pos. | Part number | Description | Valid from → until | Qty |
|------|-------------|--|--------------------|-----|
| 1 | 1432105 | Transit wheels - pair | | 1 |
| 2 | 1432095 | Adapter support vertical, kit complete | | 2 |
| 3 | 1516391 | Fixation kit to pair of transit wheels, standard | | 1 |
| 4 | 1516392 | Fixation kit to pair of transit wheels in combination with other adaptations | | 1 |

Antitipper



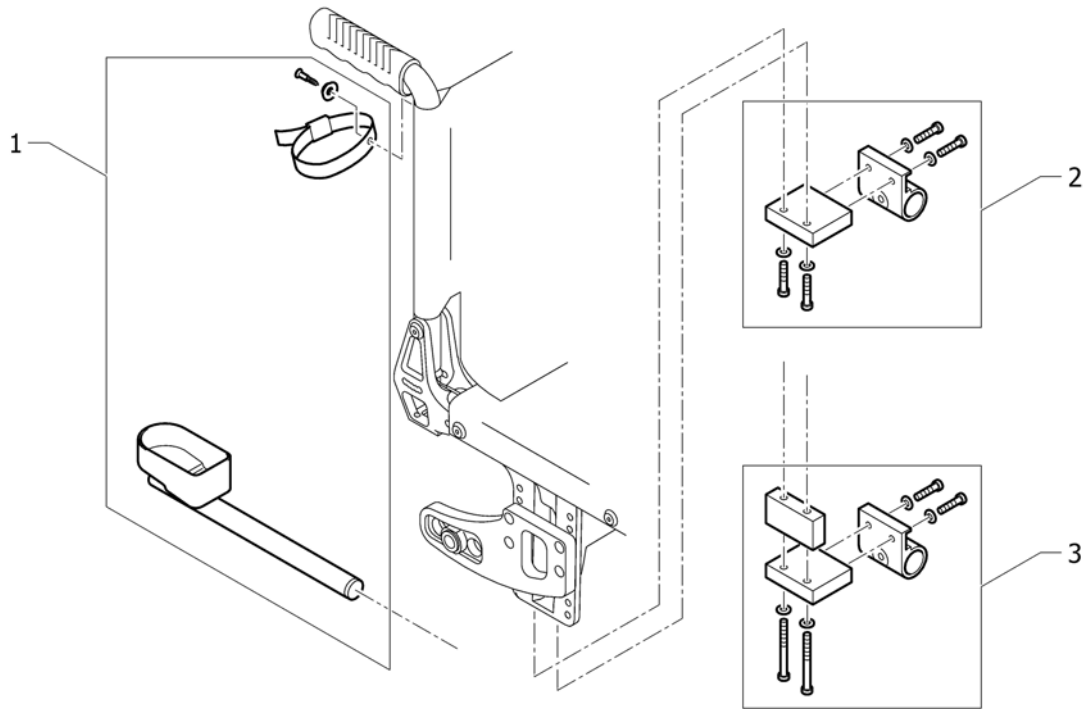
| Pos. | Part number | Description | Valid from → until | Qty |
|------|-------------|---|--------------------|-----|
| i | - | Special 1° adapter sleeves long (Pos.4) and quick release axles long are necessary (see page rear wheels) | | 0 |
| 1 | 1516393 | Antitipper complete right | | 1 |
| 2 | 1516394 | Antitipper complete left | | 1 |
| 3 | 1516395 | Fixation kit to antitipper | | 2 |
| 4 | 1512023 | Adapter sleeve kit long <i>Used for Antitipper</i> | | 1 |

Tipper aid



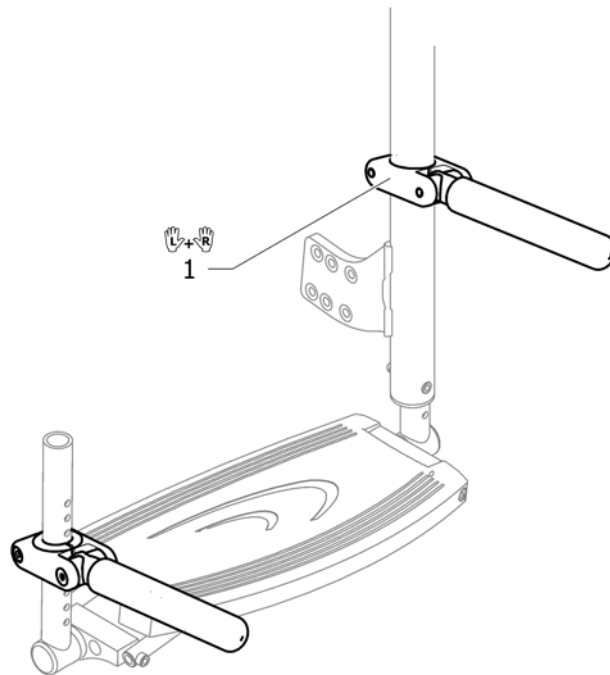
| Pos. | Part number | Description | Valid from → until | Qty |
|------|-------------|---|--------------------|-----|
| 1 | 1516396 | Tipper aid | | 1 |
| 2 | 1516397 | Fixation kit to 1st tipper aid or cane holder | | 1 |
| 3 | 1516399 | Fixation kit to 2nd tipper aid or cane holder | | 1 |

Cane holder



| Pos. | Part number | Description | Valid from → until | Qty |
|------|-------------|---|--------------------|-----|
| 1 | 1516398 | Cane holder | | 1 |
| 2 | 1516397 | Fixation kit to 1st tipper aid or cane holder | | 1 |
| 3 | 1516399 | Fixation kit to 2nd tipper aid or cane holder | | 1 |

Luggage holder



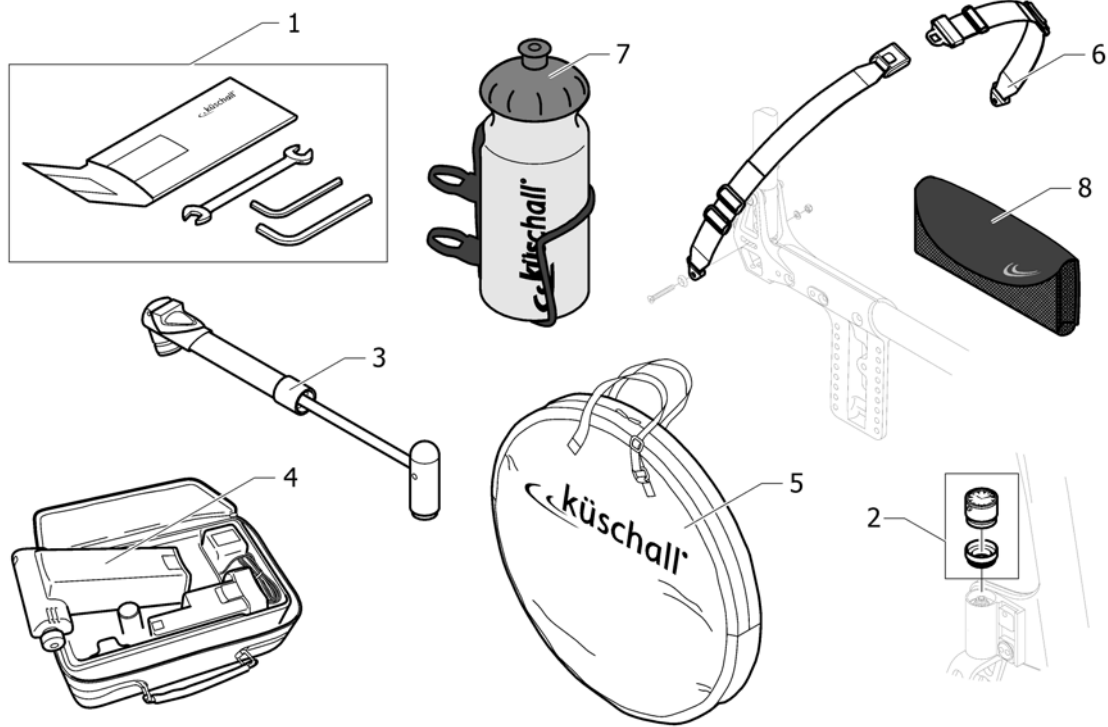
| Pos. | Part number | Description | Valid from → until | Qty |
|------|-------------|-------------------------------|--------------------|-----|
| 1 | 1547626 | Luggage holder complete, pair | | 1 |

Transport bag



| Pos. | Part number | Description | Valid from → until | Qty |
|------|-------------|--|--------------------|-----|
| 1 | 1512059 | Transport bag, standard | | 1 |
| 2 | 1512060 | Transport bag, large <i>ST44-46 or Shv53-54 or rear wheel size 25-26"</i> | | 1 |

Chair accessories



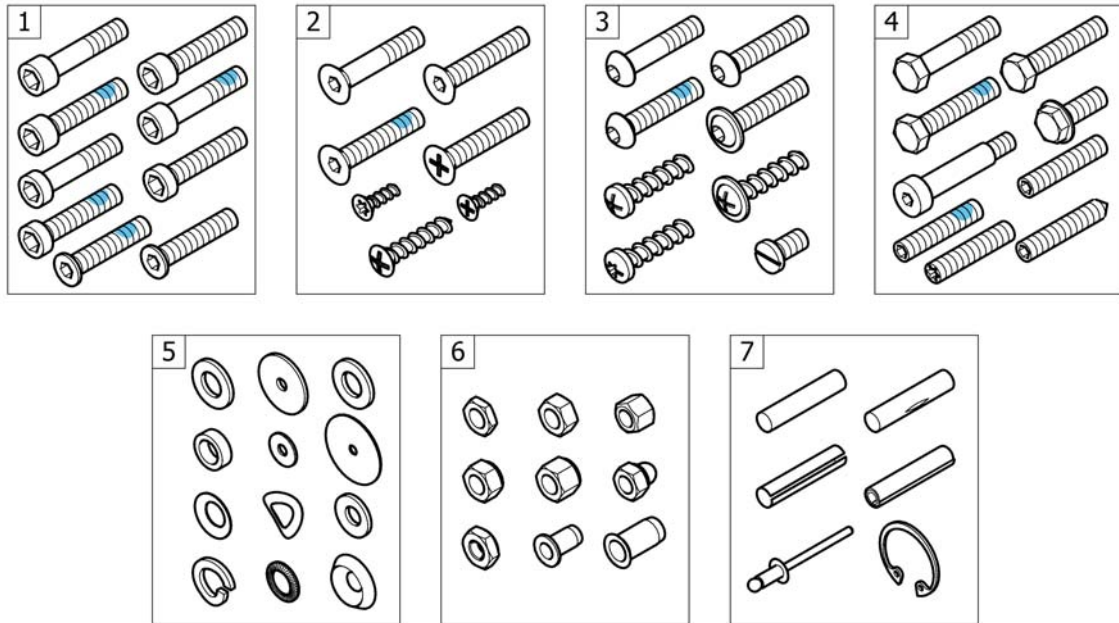
| Pos. | Part number | Description | Valid from → until | Qty |
|------|-------------|--|--------------------|-----|
| 1 | 1518285 | Tool Kit <i>Replaces 800.1013</i> | | 1 |
| 2 | 1589117 | Küschall watch mounted on bearing block, kit | | 1 |
| 3 | 1517924 | Air pump <i>Replaces 801.1004</i> | | 1 |
| 4 | 1518286 | Air man <i>Replaces 801.1006.000</i> | | 1 |
| 5 | 1518287 | Wheel bag 24" - 26" <i>Replaces 1420922</i> | | 1 |
| 6 | 1567166 | Seat belt | 2013-01-01 → | 1 |
| 7 | 1547625 | Bottle holder | | 1 |
| 8 | 1547622 | Mobil phone holder | | 1 |

Winter accessories



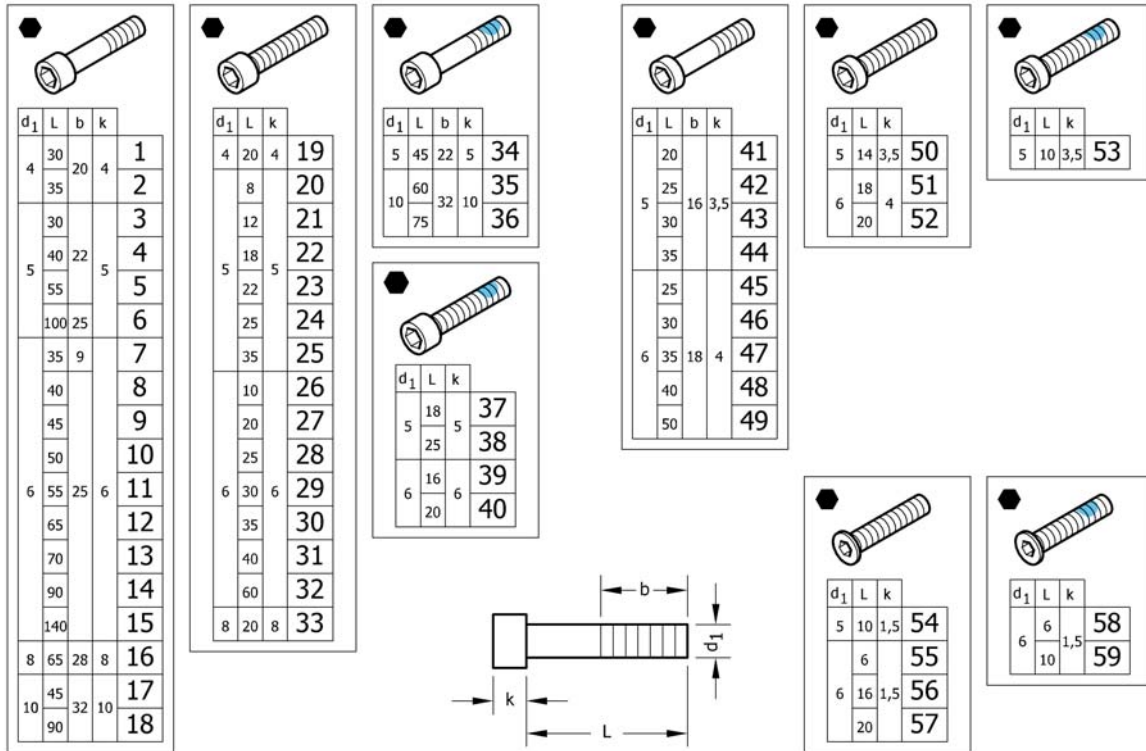
| Pos. | Part number | Description | Valid from → until | Qty |
|------|-------------|---------------------------------|----------------------------|-----|
| 1 | 1532009 | Feet bag for body height >1,60m | 2010-03-01 → 2011-06-30 | 1 |

Fixation: screws, ...



| Pos. | Part number | Description | Valid from → until | Qty |
|------|-------------|-------------------------------|--------------------|-----|
| 1 | - | Socket head cap screws | | 1 |
| 2 | - | Countersunk screws | | 1 |
| 3 | - | Button head screws | | 1 |
| 4 | - | Hex-head screws, diverse, ... | | 1 |
| 5 | - | Washers | | 1 |
| 6 | - | Nuts | | 1 |
| 7 | - | Pins, rivets, ... | | 1 |

Socket head cap screws



| Pos. | Part number | Description | Valid from → until | Qty |
|------|-------------|--|--------------------|-----|
| 1 | 1579115 | Hex socket head cap screws partially threaded, zi.Blue, M4x30, kit 25 <i>Replaces 1560191 (25x)</i> | | 1 |
| 2 | 1579116 | Hex socket head cap screws partially threaded, zi.Blue, M4x35, kit 25 <i>Replaces 1563765 (25x)</i> | | 1 |
| 3 | 1579117 | Hex socket head cap screws partially threaded, black, M5x30, kit 25 Pcs. <i>Replaces 100.1091 (25x)</i> | | 1 |
| 4 | 1579118 | Hex socket head cap screws partially threaded, black, M5x40, kit 25 Pcs. <i>Replaces 100.1093 (25x)</i> | | 1 |
| 5 | 1579119 | Hex socket head cap screws partially threaded, black, M5x55, kit 25 Pcs. <i>Replaces 100.1096 (25x)</i> | | 1 |
| 6 | 1579120 | Hex socket head cap screws partially threaded, black, M5x100, kit 10 Pcs. <i>Replaces 1425240 (10x)</i> | | 1 |
| 7 | 1579121 | Hex socket head cap screws partially threaded, black, M6x35, kit 5 Pcs. <i>Replaces 107.1001 (5x)</i> | | 1 |
| 8 | 1579122 | Hex socket head cap screws partially threaded, black, M6x40, kit 25 Pcs. <i>Replaces 100.1133 (25x)</i> | | 1 |
| 9 | 1579123 | Hex socket head cap screws partially threaded, black, M6x45, kit 25 Pcs. <i>Replaces 100.1134 (25x)</i> | | 1 |
| 10 | 1579124 | Hex socket head cap screws partially threaded, black, M6x50, kit 25 Pcs. <i>Replaces 100.1135 (25x)</i> | | 1 |
| 11 | 1579125 | Hex socket head cap screws partially threaded, black, M6x55, kit 25 Pcs. <i>Replaces 100.1136 (25x)</i> | | 1 |
| 11 | 1579126 | Hex socket head cap screws partially threaded, zi.Blue, M6x55, kit 25 <i>Replaces ZM006551A (25x)</i> | | 1 |
| 12 | 1579127 | Hex socket head cap screws partially threaded, black, M6x65, kit 10 Pcs. <i>Replaces 100.1138 (10x)</i> | | 1 |
| 13 | 1579128 | Hex socket head cap screws partially threaded, black, M6x70, kit 10 Pcs. <i>Replaces 100.1139 (10x)</i> | | 1 |
| 14 | 1579129 | Hex socket head cap screws partially threaded, black, M6x90, kit 10 Pcs. <i>Replaces 1529118 (10x)</i> | | 1 |
| 15 | 1579130 | Hex socket head cap screws partially threaded, black, M6x140, kit 10 Pcs. <i>Replaces 1529117 (10x)</i> | | 1 |
| 16 | 1579131 | Hex socket head cap screws partially threaded, black, M8x65, kit 10 Pcs. <i>Replaces 1510316 (10x)</i> | | 1 |
| 17 | 1579132 | Hex socket head cap screws partially threaded, black, M10x45, kit 2 Pcs. <i>Replaces 1496010 (2x)</i> | | 1 |

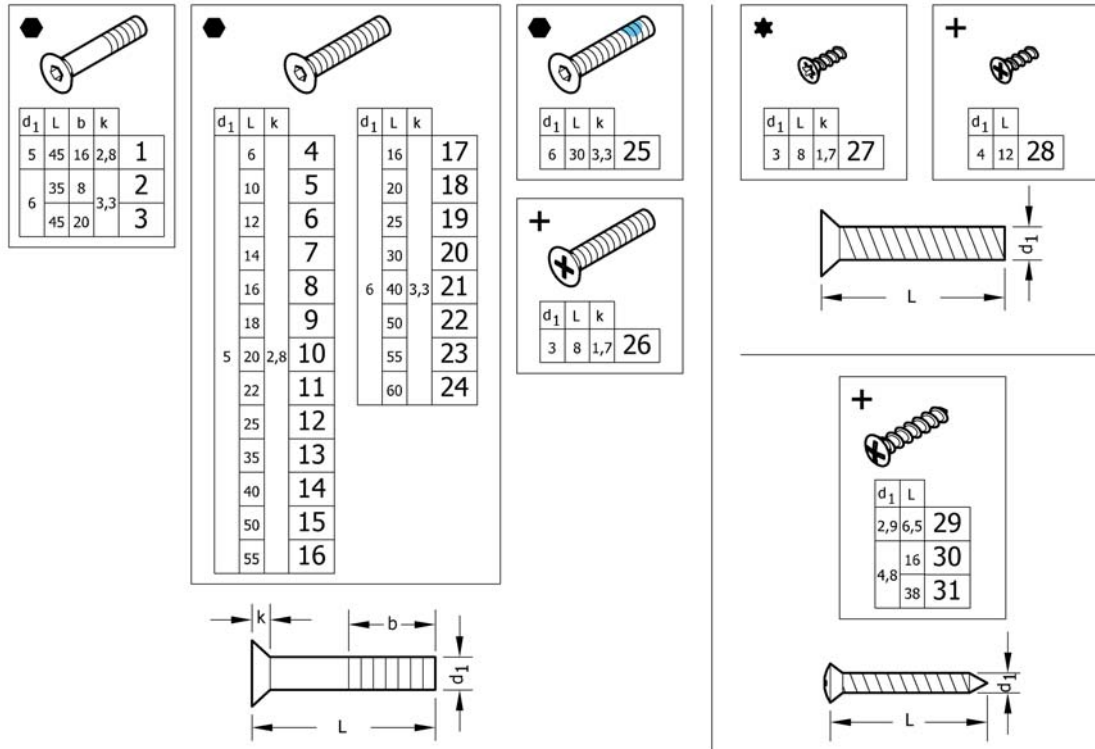
Socket head cap screws

| Pos. | Part number | Description | Valid from → until | Qty |
|------|-------------|---|--------------------|-----|
| 18 | 1579133 | Hex socket head cap screws partially threaded, black, M10x90, kit 2 Pcs. <i>Replaces 1496013 (2x)</i> | | 1 |
| 19 | 1579134 | Hex socket head cap screws fully threaded, black, M4x20, kit 25 Pcs. <i>Replaces 100.1050 (25x)</i> | | 1 |
| 20 | 1579135 | Hex socket head cap screws fully threaded, black, M5x8, kit 5 Pcs. <i>Replaces 1493753 (5x)</i> | | 1 |
| 21 | 1579136 | Hex socket head cap screws fully threaded, black, M5x12, kit 25 Pcs. <i>Replaces 100.1084 (25x)</i> | | 1 |
| 22 | 1579137 | Hex socket head cap screws fully threaded, black, M5x18, kit 25 Pcs. <i>Replaces 100.1087 (25x)</i> | | 1 |
| 23 | 1579138 | Hex socket head cap screws fully threaded, black, M5x22, kit 25 Pcs. <i>Replaces 100.1089 (25x)</i> | | 1 |
| 24 | 1579139 | Hex socket head cap screws fully threaded, black, M5x25, kit 25 Pcs. <i>Replaces 100.1090 (25x)</i> | | 1 |
| 25 | 1579140 | Hex socket head cap screws fully threaded, black, M5x35, kit 25 Pcs. <i>Replaces 100.1092 (25x)</i> | | 1 |
| 26 | 1579141 | Hex socket head cap screws fully threaded, black, M6x10, kit 25 Pcs. <i>Replaces 100.1123 (25x)</i> | | 1 |
| 27 | 1579142 | Hex socket head cap screws fully threaded, black, M6x20, kit 25 Pcs. <i>Replaces 100.1128 (25x)</i> | | 1 |
| 28 | 1579143 | Hex socket head cap screws fully threaded, black, M6x25, kit 25 Pcs. <i>Replaces 100.1130 (25x)</i> | | 1 |
| 29 | 1579144 | Hex socket head cap screws fully threaded, black, M6x30, kit 25 Pcs. <i>Replaces 100.1131 (25x)</i> | | 1 |
| 30 | 1579145 | Hex socket head cap screws fully threaded, black, M6x35, kit 25 Pcs. <i>Replaces 100.1132 (25x)</i> | | 1 |
| 31 | 1579146 | Hex socket head cap screws fully threaded, black, M6x40, kit 10 Pcs. <i>Replaces 1563349 (10x)</i> | | 1 |
| 32 | 1579147 | Hex socket head cap screws fully threaded, black, M6x60, kit 10 Pcs. <i>Replaces 100.1137 (10x)</i> | | 1 |
| 33 | 1579148 | Hex socket head cap screws fully threaded, black, M8x20, kit 10 Pcs. <i>Replaces 1510307 (10x)</i> | | 1 |
| 34 | 1579149 | Hex sock.Head cap screws partial.Thread., black, TufLok, M5x45, kit 5 Pcs. <i>Replaces 1496014 (5x)</i> | | 1 |
| 35 | 1579150 | Hex sock.Head cap screws partial.Thread., black, TufLok, M10x60, kit 2 Pcs. <i>Replaces 1496011 (2x)</i> | | 1 |
| 36 | 1579151 | Hex sock.Head cap screws partial.Thread., black, TufLok, M10x75, kit 2 Pcs. <i>Replaces 1496012 (2x)</i> | | 1 |
| 37 | 1579152 | Hex socket head cap screws fully threaded, black, TufLok, M5x18, kit 10 Pcs. <i>Replaces 1425241 (10x)</i> | | 1 |
| 38 | 1579153 | Hex socket head cap screws fully threaded, black, TufLok, M5x25, kit 10 Pcs. <i>Replaces 1570153 (10x)</i> | | 1 |
| 39 | 1579154 | Hex socket head cap screws full.Thread., zi.Blue, TufLok, M6x16, kit 10 Pcs. <i>Replaces 1560219 (10x)</i> | | 1 |
| 40 | 1579155 | Hex socket head cap screws fully threaded, black, TufLok, M6x20, kit 10 Pcs. <i>Replaces 1498775 (10x)</i> | | 1 |
| 41 | 1579156 | Hex sock.Head cap screws, low head, part.Thread., black, M5x20, kit 25 Pcs. <i>Replaces 1438501 (25x)</i> | | 1 |
| 42 | 1579157 | Hex sock.Head cap screws, low head, part.Thread., black, M5x25, kit 25 Pcs. <i>Replaces 1438518 (25x)</i> | | 1 |
| 43 | 1579158 | Hex sock.Head cap screws, low head, part.Thread., black, M5x30, kit 25 Pcs. <i>Replaces 100.5090 (25x)</i> | | 1 |
| 44 | 1579159 | Hex sock.Head cap screws, low head, part.Thread., black, M5x35, kit 25 Pcs. <i>Replaces 100.5091 (25x)</i> | | 1 |

Socket head cap screws

| Pos. | Part number | Description | Valid from → until | Qty |
|------|-------------|---|--------------------|-----|
| 45 | 1579160 | Hex sock.Head cap screws, low head, part.Thread., black, M6x25, kit 25 Pcs. <i>Replaces 1432120 (25x)</i> | | 1 |
| 46 | 1579161 | Hex sock.Head cap screws, low head, part.Thread., black, M6x30, kit 25 Pcs. <i>Replaces 100.5130 (25x)</i> | | 1 |
| 47 | 1579162 | Hex sock.Head cap screws, low head, part.Thread., black, M6x35, kit 25 Pcs. <i>Replaces 1438504 (25x)</i> | | 1 |
| 48 | 1579163 | Hex sock.Head cap screws, low head, part.Thread., black, M6x40, kit 25 Pcs. <i>Replaces 100.5132 (25x)</i> | | 1 |
| 49 | 1579164 | Hex sock.Head cap screws, low head, part.Thread., black, M6x50, kit 25 Pcs. <i>Replaces 100.5134 (25x)</i> | | 1 |
| 50 | 1579165 | Hex sock.Head cap screws, low head, part.Thread., black, M5x14, kit 25 Pcs. <i>Replaces 100.5085 (25x)</i> | | 1 |
| 51 | 1579166 | Hex sock.Head cap screws, low head, part.Thread., black, M6x18, kit 25 Pcs. <i>Replaces 100.5126 (25x)</i> | | 1 |
| 52 | 1579167 | Hex sock.Head cap screws, low head, part.Thread., black, M6x20, kit 25 Pcs. <i>Replaces 100.5127 (25x)</i> | | 1 |
| 53 | 1579168 | Hex soc.Head cap scr., low head, part.Threa., bl., TufL., M5x10, kit 10 Pcs. <i>Replaces 1496026 (10x)</i> | | 1 |
| 54 | 1579169 | Hex socket head cap screws, special low head, black, M5x10, kit 25 Pcs. <i>Replaces 1437290 (25x)</i> | | 1 |
| 55 | 1579170 | Hex socket head cap screws, special low head, black, M6x6, kit 25 Pcs. <i>Replaces 1425182 (25x)</i> | | 1 |
| 56 | 1579171 | Hex socket head cap screws, special low head, black, M6x16, kit 25 Pcs. <i>Replaces 1541181 (25x)</i> | | 1 |
| 57 | 1579172 | Hex socket head cap screws, special low head, black, M6x20, kit 25 Pcs. <i>Replaces 107.1022 (25x)</i> | | 1 |
| 58 | 1579173 | Hex socket head cap screws, spec.Low head, black, TufLok, M5x6, kit 10 Pcs. <i>Replaces 1532039 (10x)</i> | | 1 |
| 59 | 1579174 | Hex socket head cap screws, spec.Low head, black, TufLok, M6x10, kit 10 Pcs. <i>Replaces 1420946 (10x)</i> | | 1 |

Countersunk screws

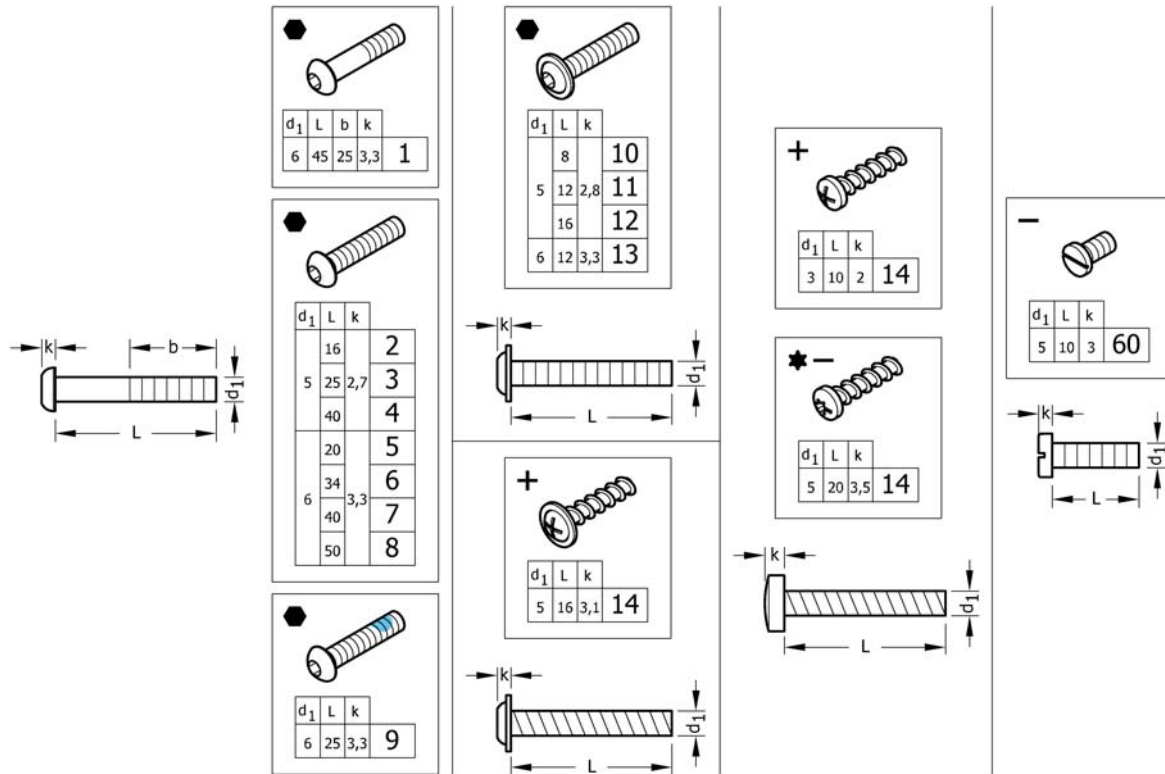


| Pos. | Part number | Description | Valid from → until | Qty |
|------|-------------|---|--------------------|-----|
| 1 | 1579175 | Countersunk head screws partially threaded, Black, M5x45, kit 10 Pcs. <i>Replaces 1438773 (10x)</i> | | 1 |
| 2 | 1579176 | Countersunk head screws partially threaded, Black, M6x35, kit 10 Pcs. <i>Replaces 107.1004 (10x)</i> | | 1 |
| 3 | 1579177 | Countersunk head screws partially threaded, Black, M6x45, kit 10 Pcs. <i>Replaces 100.3133 (10x)</i> | | 1 |
| 4 | 1579178 | Countersunk head screws fully threaded, Black, M5x6, kit 25 Pcs. <i>Replaces 1445273 (25x)</i> | | 1 |
| 5 | 1579179 | Countersunk head screws fully threaded, Black, M5x10, kit 25 Pcs. <i>Replaces 100.3082 (25x)</i> | | 1 |
| 6 | 1579180 | Countersunk head screws fully threaded, Black, M5x12, kit 25 Pcs. <i>Replaces 1438999 (25x)</i> | | 1 |
| 7 | 1579181 | Countersunk head screws fully threaded, Black, M5x14, kit 25 Pcs. <i>Replaces 107.1015 (25x)</i> | | 1 |
| 8 | 1579182 | Countersunk head screws fully threaded, Black, M5x16, kit 25 Pcs. <i>Replaces 100.3085 (25x)</i> | | 1 |
| 9 | 1579183 | Countersunk head screws fully threaded, Black, M5x18, kit 25 Pcs. <i>Replaces 100.3086 (25x)</i> | | 1 |
| 10 | 1579184 | Countersunk head screws fully threaded, Black, M5x20, kit 25 Pcs. <i>Replaces 100.3087 (25x)</i> | | 1 |
| 11 | 1579185 | Countersunk head screws fully threaded, Black, M5x22, kit 25 Pcs. <i>Replaces 1416930 (25x)</i> | | 1 |
| 12 | 1579186 | Countersunk head screws fully threaded, Black, M5x25, kit 25 Pcs. <i>Replaces 100.3089 (25x)</i> | | 1 |
| 13 | 1579187 | Countersunk head screws fully threaded, Black, M5x35, kit 25 Pcs. <i>Replaces 100.3091 (25x)</i> | | 1 |
| 14 | 1579188 | Countersunk head screws fully threaded, Black, M5x40, kit 25 Pcs. <i>Replaces 1432148 (25x)</i> | | 1 |
| 15 | 1579189 | Countersunk head screws fully threaded, Black, M5x50, kit 25 Pcs. <i>Replaces 100.3094 (25x)</i> | | 1 |
| 16 | 1579190 | Countersunk head screws fully threaded, Black, M5x55, kit 25 Pcs. <i>Replaces 100.3095 (25x)</i> | | 1 |
| 17 | 1579191 | Countersunk head screws fully threaded, Black, M6x16, kit 25 Pcs. <i>Replaces 100.3125 (25x)</i> | | 1 |
| 18 | 1579192 | Countersunk head screws full.Threaded, zinc flake coat., M6x20, kit 25 Pcs. <i>Replaces 100.3127 (25x)</i> | | 1 |

Countersunk screws

| Pos. | Part number | Description | Valid from → until | Qty |
|------|-------------|--|--------------------|-----|
| 18 | 1579193 | Countersunk head screws fully threaded, Black, M6x20, kit 25 Pcs. <i>Replaces 1437809 (25x)</i> | | 1 |
| 19 | 1579194 | Countersunk head screws fully threaded, Black, M6x25, kit 25 Pcs. <i>Replaces 100.3129 (25x)</i> | | 1 |
| 20 | 1579195 | Countersunk head screws fully threaded, Black, M6x30, kit 25 Pcs. <i>Replaces 100.3130 (25x)</i> | | 1 |
| 21 | 1579196 | Countersunk head screws fully threaded, Black, M6x40, kit 25 Pcs. <i>Replaces 100.3132 (25x)</i> | | 1 |
| 22 | 1579197 | Countersunk head screws fully threaded, Black, M6x50, kit 25 Pcs. <i>Replaces 100.3134 (25x)</i> | | 1 |
| 23 | 1579198 | Countersunk head screws fully threaded, Black, M6x55, kit 25 Pcs. <i>Replaces 100.3135 (25x)</i> | | 1 |
| 24 | 1579199 | Countersunk head screws fully threaded, Black, M6x60, kit 25 Pcs. <i>Replaces 100.3136 (25x)</i> | | 1 |
| 25 | 1579200 | Countersunk head screws fully threaded, Black, TufLok, M6x30, kit 25 Pcs. <i>Replaces 1550479 (25x)</i> | | 1 |
| 26 | 1579201 | Countersunk head screws fully threaded, zi.Blue, M3x8, kit 25 Pcs. <i>Replaces 1529279 (25x)</i> | | 1 |
| 27 | 1579202 | Countersunk head PT screws, Torx, stainless steel, 3x8, kit 25 Pcs. <i>Replaces 1529278 (25x)</i> | | 1 |
| 28 | 1579203 | Countersunk head PT screws, Black, KA40x12, kit 25 Pcs. <i>Replaces 1438513 (25x)</i> | | 1 |
| 29 | 1579204 | Countersunk head tapping screws with cone end, Black, ST2,9x6,5, kit 25 Pcs. <i>Replaces 126.5041 (25x)</i> | | 1 |
| 30 | 1579205 | Countersunk head tapping screws with cone end, Black, ST4,8x16, kit 25 Pcs. <i>Replaces 126.5202 (25x)</i> | | 1 |
| 31 | 1579206 | Countersunk head tapping screws with cone end, Black, ST4,8x38, kit 25 Pcs. <i>Replaces 126.5207 (25x)</i> | | 1 |

Button head screws

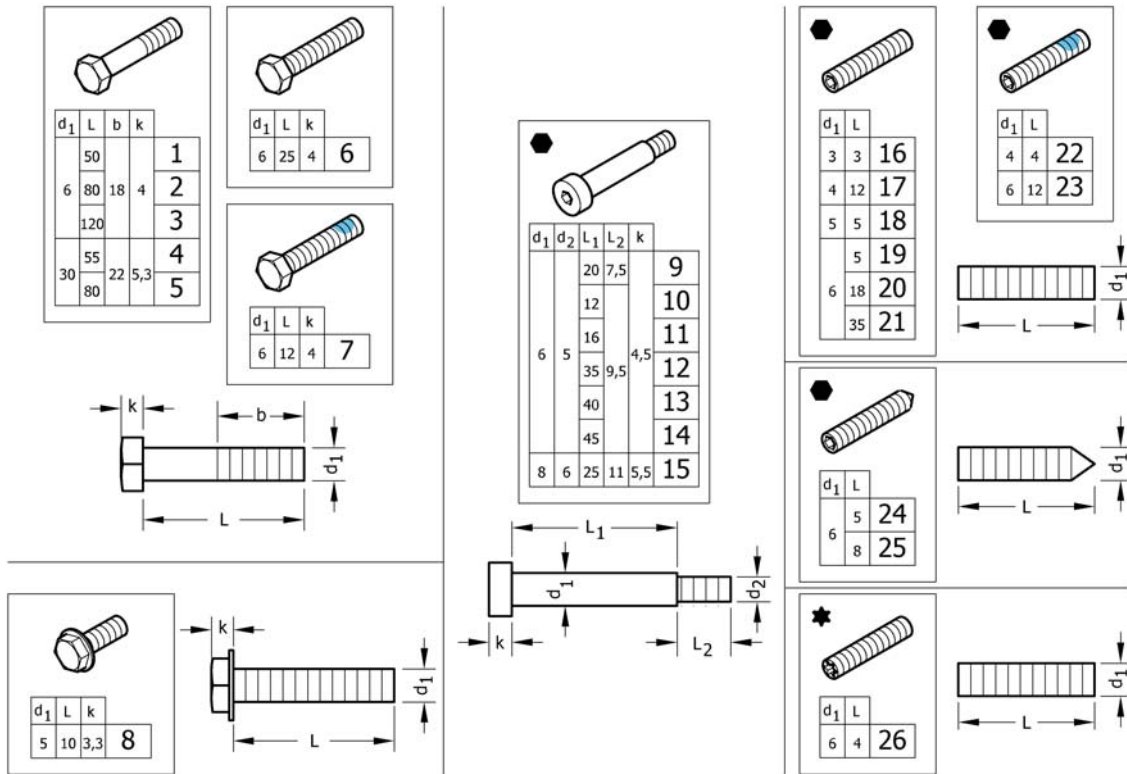


| Pos. | Part number | Description | Valid from → until | Qty |
|------|-------------|---|--------------------|-----|
| 1 | 1579259 | Hex sock.Button head cap screws partially thread., Black, M6x45, kit 25 Pcs. <i>Replaces 1438507 (25x)</i> | | 1 |
| 2 | 1579260 | Hex socket button head cap screws fully threaded, Black, M5x16, kit 25 Pcs. <i>Replaces 1445341-0003 (25x)</i> | | 1 |
| 3 | 1579261 | Hex socket button head cap screws fully threaded, Black, M5x25, kit 25 Pcs. <i>Replaces 107.1021 (25x)</i> | | 1 |
| 4 | 1579262 | Hex socket button head cap screws fully threaded, Black, M5x40, kit 25 Pcs. <i>Replaces 1445101-0003 (25x)</i> | | 1 |
| 5 | 1579263 | Hex socket button head cap screws fully threaded, Black, M6x20, kit 25 Pcs. <i>Replaces 1439153 (25x)</i> | | 1 |
| 6 | 1579264 | Hex socket button head cap screws fully threaded, Black, M6x34, kit 25 Pcs. <i>Replaces 1438506-0003 (25x)</i> | | 1 |
| 7 | 1579265 | Hex socket button head cap screws fully threaded, Black, M6x40, kit 25 Pcs. <i>Replaces 1439530-0003 (25x)</i> | | 1 |
| 8 | 1579266 | Hex socket button head cap screws fully threaded, Black, M6x50, kit 25 Pcs. <i>Replaces 1439531-0003 (25x)</i> | | 1 |
| 9 | 1579267 | Hex sock.But.Head cap screws full.Thread., Black, TufLok, M6x25, kit 25 Pcs. <i>Replaces 1438505 (25x)</i> | | 1 |
| 10 | 1579268 | Button head socket cap screws with flange, Black, M5x8, kit 25 Pcs. <i>Replaces 1536268 (25x)</i> | | 1 |
| 11 | 1579269 | Button head socket cap screws with flange, Black, M5x12, kit 25 Pcs. <i>Replaces 1529290 (25x)</i> | | 1 |
| 12 | 1579270 | Button head socket cap screws with flange, Black, M5x16, kit 25 Pcs. <i>Replaces 1445102-0003 (25x)</i> | | 1 |
| 13 | 1579271 | Button head socket cap screws with flange, Black, M6x12, kit 25 Pcs. <i>Replaces 1432204 (25x)</i> | | 1 |
| 14 | 1579272 | Round washer head PT® screws, form H, zinc plated blue, M5x16, kit 25 Pcs. <i>Replaces 1536057 (25x)</i> | | 1 |

Button head screws

| Pos. | Part number | Description | Valid from → until | Qty |
|------|-------------|---|--------------------|-----|
| 15 | 1579273 | Pan head PT screws, form H, zinc plated blue, M3x10, kit 25 Pcs. <i>Replaces ZM003510A (25x)</i> | | 1 |
| 16 | 1579274 | Pan head PT screws, Torx, Black, M5x20, kit 25 Pcs. <i>Replaces 1424569 (25x)</i> | | 1 |
| 17 | 1579275 | Slotted machine screws, Black, M5x10, kit 25 Pcs. <i>Replaces 102.2083 (25x)</i> | | 1 |

Hex-head screws, diverse, ...

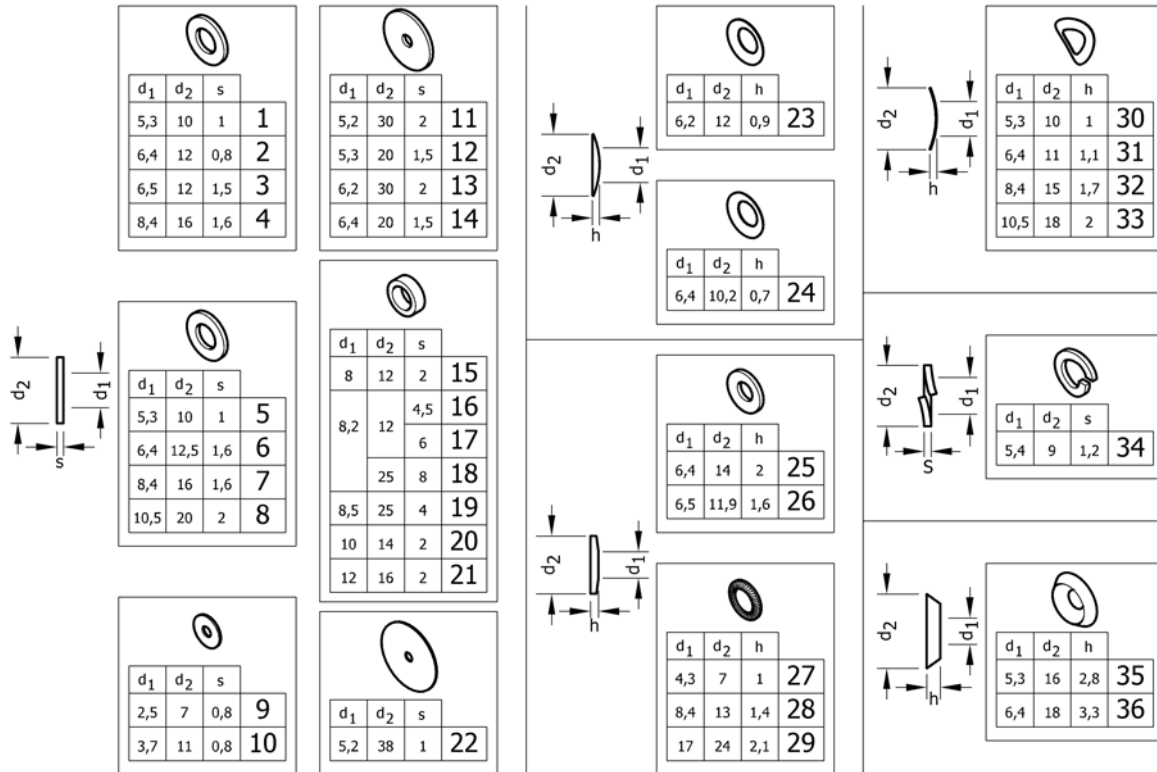


| Pos. | Part number | Description | Valid from → until | Qty |
|------|-------------|--|--------------------|-----|
| 1 | 1579276 | Hex head bolts partially threaded, Black, M6x50, kit 10 Pcs. <i>Replaces 101.1134 (10x)</i> | | 1 |
| 2 | 1579277 | Hex head bolts partially threaded, Black, M6x80, kit 10 Pcs. <i>Replaces 1438508 (10x)</i> | | 1 |
| 3 | 1579278 | Hex head bolts partially threaded, Black, M6x120, kit 10 Pcs. <i>Replaces 1438509 (10x)</i> | | 1 |
| 4 | 1579279 | Hex head bolts partially threaded, Black, M8x55, kit 10 Pcs. <i>Replaces 101.1174 (10x)</i> | | 1 |
| 5 | 1579280 | Hex head bolts partially threaded, Black, M8x80, kit 10 Pcs. <i>Replaces 101.1179 (10x)</i> | | 1 |
| 6 | 1579281 | Hex head screws fully threaded, Black, M6x25, kit 10 Pcs. <i>Replaces 1437299 (10x)</i> | | 1 |
| 7 | 1579282 | Hex head screws fully threaded, Black, TufLok, M6x12, kit 10 Pcs. <i>Replaces 1564245 (10x)</i> | | 1 |
| 8 | 1579283 | Hex flange head machine screws with flangeBlack, M5x10, kit 10 Pcs. <i>Replaces 107.1014 (10x)</i> | | 1 |
| 9 | 1579295 | Hex socket head shoulder bolts, Black, Ø6x20 / M5, kit 4 Pcs. <i>Replaces 1488934-0003 (4x)</i> | | 1 |
| 10 | 1579296 | Hex socket head shoulder bolts, Black, Ø6x12 / M5, kit 4 Pcs. <i>Replaces 1564246 (4x)</i> | | 1 |
| 11 | 1579297 | Hex socket head shoulder bolts, Black, Ø6x16 / M5, kit 4 Pcs. <i>Replaces 1529291 (4x)</i> | | 1 |
| 12 | 1579298 | Hex socket head shoulder bolts, Black, Ø6x35 / M5, kit 4 Pcs. <i>Replaces 1496034 (4x)</i> | | 1 |
| 13 | 1579299 | Hex socket head shoulder bolts, Black, Ø6x40 / M5, kit 4 Pcs. <i>Replaces 107.1023 (4x)</i> | | 1 |
| 14 | 1579300 | Hex socket head shoulder bolts, Black, Ø6x45 / M5, kit 4 Pcs. <i>Replaces 1496030 (4x)</i> | | 1 |
| 15 | 1579301 | Hex socket head shoulder bolts, Black, Ø8x25 / M6, kit 4 Pcs. <i>Replaces ZM008252A (4x)</i> | | 1 |
| 16 | 1579284 | Hex socket set screws with flat point, Black, M3x3, kit 25 Pcs. <i>Replaces 116.1001 (25x)</i> | | 1 |
| 17 | 1579285 | Hex socket set screws with flat point, Black, M4x12, kit 25 Pcs. <i>Replaces 116.1046 (25x)</i> | | 1 |
| 18 | 1579286 | Hex socket set screws with flat point, zinc plated blue, M5x5, kit 25 Pcs. <i>Replaces 116.1081 (25x)</i> | | 1 |

Hex-head screws, diverse, ...

| Pos. | Part number | Description | Valid from → until | Qty |
|------|-------------|---|--------------------|-----|
| 19 | 1579287 | Hex socket set screws with flat point, Black, M6x5, kit 25 Pcs. <i>Replaces 1437272 (25x)</i> | | 1 |
| 20 | 1579288 | Hex socket set screws with flat point, zinc plated blue, M6x18, kit 25 Pcs. <i>Replaces 1559106 (25x)</i> | | 1 |
| 21 | 1579289 | Hex socket set screws with flat point, Black, M6x35, kit 25 Pcs. <i>Replaces 116.1133 (25x)</i> | | 1 |
| 22 | 1579290 | Hex socket set screws with flat point, Black, TufLok, M4x4, kit 10 Pcs. <i>Replaces 1493792 (10x)</i> | | 1 |
| 23 | 1579291 | Hex socket set screws with flat point, Z.Plat.Bl., TufLok, M6x12, kit 10Pcs. <i>Replaces 1439057 (10x)</i> | | 1 |
| 24 | 1579292 | Hex socket set screws with cone point, Black, M6x5, kit 25 Pcs. <i>Replaces 116.2121 (25x)</i> | | 1 |
| 25 | 1579293 | Hex socket set screws with cone point, Black, M6x8, kit 25 Pcs. <i>Replaces 116.2123 (25x)</i> | | 1 |
| 26 | 1579294 | Screws with cup point, Torx, zinc plated blue, M6x4, kit 25 Pcs. <i>Replaces 1567763 (25x)</i> | | 1 |

Washers

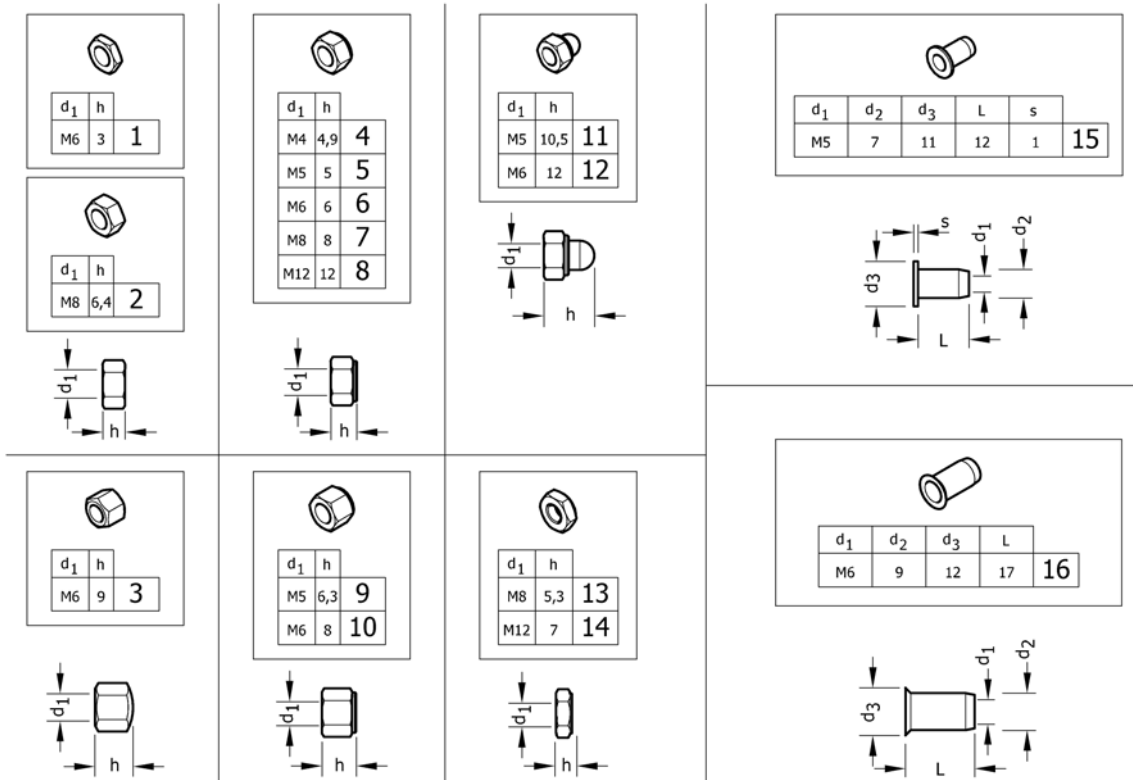


| Pos. | Part number | Description | Valid from → until | Qty |
|------|-------------|--|--------------------|-----|
| 1 | 1579225 | Flat washers without chamfer, black, 5,3x10x1, kit 50 Pcs. <i>Replaces 150.1004 (50x)</i> | | 1 |
| 2 | 1579226 | Flat washers without chamfer, black, 6,4x12x0,8, kit 50 Pcs. <i>Replaces 150.2001 (50x)</i> | | 1 |
| 3 | 1579227 | Flat washers without chamfer, zinc plated blue, 6,5x12x1,5, kit 50 Pcs. <i>Replaces 5729091 (50x)</i> | | 1 |
| 4 | 1579228 | Flat washers without chamfer, black, 8,4x16x1,6, kit 50 Pcs. <i>Replaces 150.1012 (50x)</i> | | 1 |
| 5 | 1579229 | Flat washers without chamfer, polyamide, 5,3x10x1, kit 50 Pcs. <i>Replaces 150.3003 (50x)</i> | | 1 |
| 6 | 1579230 | Flat washers without chamfer, polyamide, 6,4x12,5x1,6, kit 50 Pcs. <i>Replaces 150.3004 (50x)</i> | | 1 |
| 7 | 1579231 | Flat washers without chamfer, polyamide, 8,4x16x1,6, kit 50 Pcs. <i>Replaces 150.3005 (50x)</i> | | 1 |
| 8 | 1579232 | Flat washers without chamfer, polyamide, 10,5x20x2, kit 50 Pcs. <i>Replaces 150.3006 (50x)</i> | | 1 |
| 9 | 1579233 | Flat washers without chamfer, zinc plated blue, 2,5x7x0,8, kit 50 Pcs. <i>Replaces 150.2012 (50x)</i> | | 1 |
| 10 | 1579234 | Flat washers without chamfer, zinc plated blue, 3,7x11x0,8, kit 50 Pcs. <i>Replaces ZM203501A (50x)</i> | | 1 |
| 11 | 1579235 | Flat washers without chamfer, black, 5,2x30x2, kit 20 Pcs. <i>Replaces 150.2006 (20x)</i> | | 1 |
| 12 | 1579236 | Flat washers without chamfer, black, 5,3x20x1,5, kit 50 Pcs. <i>Replaces 150.2010 (50x)</i> | | 1 |
| 13 | 1579237 | Flat washers without chamfer, black, 6,2x30x2, kit 20 Pcs. <i>Replaces 150.2009 (20x)</i> | | 1 |
| 14 | 1579238 | Flat washers without chamfer, black, 6,4x25x1,5, kit 50 Pcs. <i>Replaces 1451753 (50x)</i> | | 1 |
| 15 | 1579239 | Hinge rings, black, 8x12x2, kit 50 Pcs. <i>Replaces 150.5002 (50x)</i> | | 1 |
| 16 | 1579240 | Distance sleeve, alu, 8,2x12x4,5, kit 20 Pcs. <i>Replaces 1420970 (20x)</i> | | 1 |
| 17 | 1579241 | Distance sleeve, alu, 8,2x12x6, kit 20 Pcs. <i>Replaces 1420969 (20x)</i> | | 1 |
| 18 | 1581292 | Distance sleeve, alu, 8,2x25x8, kit 2 Pcs. <i>Replaces 151.1002 (2x)</i> | | 1 |

Washers

| Pos. | Part number | Description | Valid from → until | Qty |
|------|-------------|--|--------------------|-----|
| 19 | 1583052 | Distance sleeve, alu, black, 8,5x25x4, kit 10 Pcs. <i>Replaces 151.1014 (10x)</i> | | 1 |
| 20 | 1579242 | Hinge rings, zinc plated blue, 10x14x2, kit 50 Pcs. <i>Replaces 1506666 (50x)</i> | | 1 |
| 21 | 1579243 | Hinge rings, black, 12x16x2, kit 50 Pcs. <i>Replaces 150.5006 (50x)</i> | | 1 |
| 22 | 1579244 | Rubber washers, 5,2x38x1, kit 20 Pcs. <i>Replaces 1424891 (20x)</i> | | 1 |
| 23 | 1579245 | Disc springs, black, 6,2x12x0,9, kit 50 Pcs. <i>Replaces 160.1015 (50x)</i> | | 1 |
| 24 | 1579246 | Conical spring washers, zinc plated blue, 6,4x10,2x0,7, kit 50 Pcs. <i>Replaces 161.1004 (50x)</i> | | 1 |
| 25 | 1579247 | Conical spring washers, black, 6,4x14x2, kit 50 Pcs. <i>Replaces 161.2004 (50x)</i> | | 1 |
| 26 | 1579248 | Conical spring washers, zinc plated blue, 6,5x11,9x1,6, kit 50 Pcs. <i>Replaces ZM206001A (50x)</i> | | 1 |
| 27 | 1579249 | Ribbed lock washers, black, 4,3x7x1, kit 50 Pcs. <i>Replaces 155.2002 (50x)</i> | | 1 |
| 28 | 1579250 | Ribbed lock washers, zinc plated blue, 8,4x13x1,4, kit 50 Pcs. <i>Replaces 155.2005 (50x)</i> | | 1 |
| 29 | 1579251 | Ribbed lock washers, zinc plated blue, 17x24x2,1, kit 50 Pcs. <i>Replaces 155.2009 (50x)</i> | | 1 |
| 30 | 1579252 | Curved spring washers, black, 5,3x10x1, kit 50 Pcs. <i>Replaces 1438515 (50x)</i> | | 1 |
| 31 | 1579253 | Curved spring washers, black, 6,4x11x1,1, kit 50 Pcs. <i>Replaces 1438516 (50x)</i> | | 1 |
| 32 | 1579254 | Curved spring washers, zinc plated blue, 8,4x15x1,7, kit 50 Pcs. <i>Replaces ZM208003A (50x)</i> | | 1 |
| 33 | 1579255 | Curved spring washers, zinc plated blue, 10,5x18x2, kit 50 Pcs. <i>Replaces ZM201581A (50x)</i> | | 1 |
| 34 | 1579256 | Split spring lock washers, black, 5,4x9x1,2, kit 50 Pcs. <i>Replaces 155.1003 (50x)</i> | | 1 |
| 35 | 1579257 | Finishing washers 90° countersunk head screw, black, 5,3x16x2,8, kit 50 Pcs. <i>Replaces 150.6003 (50x)</i> | | 1 |
| 36 | 1579258 | Finishing washers 90° countersunk head screw, black, 6,4x18x3,3, kit 50 Pcs. <i>Replaces 150.6004 (50x)</i> | | 1 |

Nuts

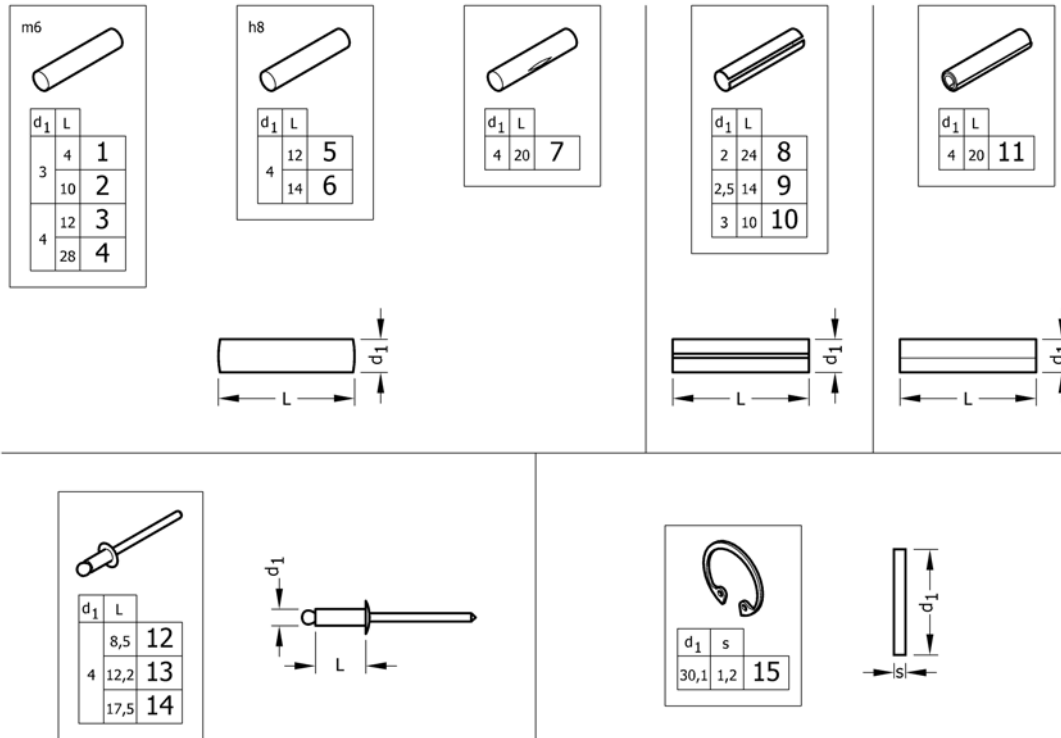


| Pos. | Part number | Description | Valid from → until | Qty |
|------|-------------|---|--------------------|-----|
| 1 | 1579207 | Hex jam nuts, black, M6, kit 25 Pcs. <i>Replaces 108.3004 (25x)</i> | | 1 |
| 2 | 1579208 | Hexagon nuts , black, M8, kit 25 Pcs. <i>Replaces 1420997 (25x)</i> | | 1 |
| 3 | 1579209 | Hex cap nuts, low type, black, M6, kit 25 Pcs. <i>Replaces 109.5009 (25x)</i> | | 1 |
| 4 | 1579210 | Prev.Torque lock nuts, thin type, with polyam.Insert, black, M4, kit 25 Pcs. <i>Replaces 109.1002 (25x)</i> | | 1 |
| 5 | 1579211 | Prev.Torque lock nuts, thin type, with polyam.Insert, black, M5, kit 25 Pcs. <i>Replaces 109.1003 (25x)</i> | | 1 |
| 5 | 1579212 | Prev.Torque lock nuts, thin type, with polya.Insert, zi.Bl., M5, kit 25 Pcs. <i>Replaces 109.5008 (25x)</i> | | 1 |
| 6 | 1579213 | Prev.Torque lock nuts, thin type, with polyam.Insert, black, M6, kit 25 Pcs. <i>Replaces 109.1004 (25x)</i> | | 1 |
| 6 | 1579214 | Prev.Torque lock nuts, thin type, with polya.Insert, zi.Bl., M6, kit 25 Pcs. <i>Replaces ZM106001A (25x)</i> | | 1 |
| 7 | 1579215 | Prev.Torque lock nuts, thin type, with polyam.Insert, black, M8, kit 25 Pcs. <i>Replaces 109.1005 (25x)</i> | | 1 |
| 8 | 1579216 | Prev.Torque lock nuts, thin type, with polya.Insert, black, M12, kit 4 Pcs. <i>Replaces 109.1007 (4x)</i> | | 1 |
| 9 | 1579217 | Preva.Torq.Hex lock nuts, high type with poly.Insert, black, M5, kit 25 Pcs. <i>Replaces 1493771 (25x)</i> | | 1 |
| 10 | 1579218 | Preva.Torq.Hex lock nuts, high type with poly.Insert, black, M6, kit 25 Pcs. <i>Replaces 109.5001 (25x)</i> | | 1 |
| 11 | 1579219 | Prevail.Torque hex domed cap nuts with polyam.Insert, black, M5, kit 25 Pcs. <i>Replaces 109.5006 (25x)</i> | | 1 |
| 12 | 1579220 | Prevail.Torque hex domed cap nuts with polyam.Insert, black, M6, kit 25 Pcs. <i>Replaces 109.5003 (25x)</i> | | 1 |
| 13 | 1579221 | Prevailing torque hex lock nuts, all-metal, thin typeblack, M8, kit 10 Pcs. <i>Replaces 109.5005 (10x)</i> | | 1 |
| 14 | 1579222 | Prevailing torque hex lock nuts, all-metal, thin typeblack, M12, kit 4 Pcs. <i>Replaces 109.5004 (4x)</i> | | 1 |
| 15 | 1579223 | Blind rivet nuts, flat head, open type, black, M5, kit 10 Pcs. <i>Replaces 180.4007 (10x)</i> | | 1 |

Nuts

| Pos. | Part number | Description | Valid from → until | Qty |
|------|-------------|---|--------------------|-----|
| 16 | 1579224 | Blind rivet nut with low countersunk head, open type, black, M6, kit 10 Pcs. <i>Replaces 180.4105 (10x)</i> | | 1 |

Pins, rivets, ...



| Pos. | Part number | Description | Valid from → until | Qty |
|------|-------------|---|--------------------|-----|
| 1 | 1579302 | Parallel pins, Ø3x4 m6, kit 10 Pcs. <i>Replaces 1439336 (10x)</i> | | 1 |
| 2 | 1579303 | Parallel pins, Ø3x10 m6, kit 10 Pcs. <i>Replaces 1439337 (10x)</i> | | 1 |
| 3 | 1579304 | Parallel pins, Ø4x12 m6, kit 20 Pcs. <i>Replaces 200.1124 (20x)</i> | | 1 |
| 4 | 1579305 | Parallel pins, Ø4x28 m6, kit 20 Pcs. <i>Replaces 1437344 (20x)</i> | | 1 |
| 5 | 1579306 | Parallel pins, Ø4x12 h8, kit 20 Pcs. <i>Replaces 1487663 (20x)</i> | | 1 |
| 6 | 1579307 | Parallel pins, Ø4x14 h8, kit 20 Pcs. <i>Replaces 1487662 (20x)</i> | | 1 |
| 7 | 1579308 | Grooved pins, center grooved, Ø4x20, kit 20 Pcs. <i>Replaces 1517718 (20x)</i> | | 1 |
| 8 | 1579309 | Slotted spring pins, heavy duty, Black, Ø2x24, kit 20 Pcs. <i>Replaces 200.4011 (20x)</i> | | 1 |
| 9 | 1579310 | Slotted spring pins, heavy duty, Black, Ø2,5x14, kit 20 Pcs. <i>Replaces 200.4007 (20x)</i> | | 1 |
| 10 | 1579311 | Slotted spring pins, heavy duty, stainless steel, Ø3x10, kit 20 Pcs. <i>Replaces 1567997 (20x)</i> | | 1 |
| 11 | 1579312 | Spiral spring pins, Black, Ø4x20, kit 20 Pcs. <i>Replaces 200.3167 (20x)</i> | | 1 |
| 12 | 1579313 | Dome head blind rivets, Ø4x8,5, kit 20 Pcs. <i>Replaces 1439292 (20x)</i> | | 1 |
| 13 | 1579314 | Dome head blind rivets, Ø4x12,2, kit 20 Pcs. <i>Replaces 180.5116 (20x)</i> | | 1 |
| 14 | 1579315 | Dome head blind rivets, Ø4x17,5, kit 20 Pcs. <i>Replaces 180.5019 (20x)</i> | | 1 |
| 15 | 1579316 | Retaining rings for bores, Std.Design, Z.plat.Blue, Ø30,1X1,2, kit 20 Pcs. <i>Replaces ZM50J281A (20x)</i> | | 1 |



Yes, you can.®



Belgium & Luxemburg:

Invacare nv, Autobaan 22, B-8210 Loppem
Tel: (32) (0)50 83 10 10, Fax: (32) (0)50 83 10 11
belgium@invacare.com / www.invacare.be

Denmark:

Invacare A/S, Sdr. Ringvej 37, DK-2605 Brøndby
Tel: (45) (0)36 90 00 00, Fax: (45) (0)36 90 00 01
denmark@invacare.com / www.invacare.dk

Deutschland:

Invacare Aquatec GmbH, Alemannenstraße 10, D-88316 Isny
Tel: (49) (0)75 62 7 00 0, Fax: (49) (0)75 62 7 00 66
info@invacare-aquatec.com / www.invacare-aquatec.de

European Distributor Organisation:

Invacare, Kleiststraße 49, D-32457 Porta Westfalica
Tel: (49) (0)57 31 754 540, Fax: (49) (0)57 31 754 541
edo@invacare.com / www.invacare.eu.com

España:

Invacare SA, c/Areny s/n, Polígon Industrial de Celrà, E-17460 Celrà (Girona)
Tel: (34) (0)972 49 32 00, Fax: (34) (0)972 49 32 20
contactsp@invacare.com / www.invacare.es

France:

Invacare Poirier SAS, Route de St Roch, F-37230 Fondettes
Tel: (33) (0)2 47 62 64 66, Fax: (33) (0)2 47 42 12 24
contactfr@invacare.com / www.invacare.fr

Ireland:

Invacare Ireland Ltd, Unit 5 Seatown Business Campus, Seatown Road, Swords, County Dublin - Ireland
Tel: (353) 1 810 7084, Fax: (353) 1 810 7085
ireland@invacare.com / www.invacare.ie

Italia:

Invacare Mecc San s.r.l., Via dei Pini 62, I-36016 Thiene (VI)
Tel: (39) 0445 38 00 59, Fax: (39) 0445 38 00 34
italia@invacare.com / www.invacare.it

Nederland:

Invacare BV, Celsiusstraat 46, NL-6716 BZ Ede
Tel: (31) (0)318 695 757, Fax: (31) (0)318 695 758
nederland@invacare.com, csede@invacare.com / www.invacare.nl

Norge:

Invacare AS, Grensesvingen 9, Postboks 6230, Etterstad, N-0603 Oslo
Tel: (47) (0)22 57 95 00, Fax: (47) (0)22 57 95 01
norway@invacare.com, island@invacare.com / www.invacare.no

Österreich:

Invacare Austria GmbH, Herzog Odilostrasse 101, A-5310 Mondsee
Tel: (43) 6232 5535 0, Fax: (43) 6232 5535 4
info-austria@invacare.com / www.invacare.at

Portugal:

Invacare Lda, Rua Estrada Velha, 949, P-4465-784 Leça do Balio
Tel: (351) (0)225 1059 46/47, Fax: (351) (0)225 1057 39
portugal@invacare.com / www.invacare.pt

Sverige & Suomi:

Invacare AB, Fagerstagatan 9, S-163 91 Spånga
Tel: (46) (0)8 761 70 90, Fax: (46) (0)8 761 81 08
sweden@invacare.com, finland@invacare.com / www.invacare.se

Switzerland:

Invacare AG, Benkenstrasse 260, CH-4108 Witterswil
Tel: (41) (0)61 487 70 80, Fax: (41) (0)61 487 70 81
switzerland@invacare.com / www.invacare.ch

United Kingdom:

Invacare Limited, Pencoed Technology Park, Pencoed, Bridgend CF35 5AQ
Switchboard Tel: (44) (0)1656 776200, Fax: (44) (0)1656 776201
Customer services Tel: (44) (0)1656 776222, Fax: (44) (0)1656 776220
uk@invacare.com / www.invacare.co.uk