

Spare Parts Catalogue

Version: 2016/04/22a EN



rea Clematis[®]



Yes, you can.®

General Information

For any order of spare parts the following information is required:

- Product type*
- Product name & model*
- Serial Number*
- Part-Number*
- Part-Description*

Exploded view drawings and code numbers are not contractual and subject to modification, in relation to Invacare® continuous product improvement policy to meet end users needs.

The reproduction or use of this work, or of any substantial part of this work, in any form or by any electronic, mechanical or other means, including photocopying, scanning and recording, and in any information storage and retrieval system, including electronic transmission, is forbidden without the prior written permission of Invacare® International Sarl.



Yes, you can.®

TABLE OF CONTENTS

Chassis

Chassis	5
(only for France)	6
Seat and backrest tilt, assistant man.	7
Seat and backrest tilt, assistant man. (=> 2011.04)	8
Castor attachment, fixed	9
Seat frame	10

Seat

Seat cushion, Flo-shape	11
Seat cushion, Flo-shape =>2012-04-01	12
Seat cushion, Mistral2	13
Seat cushion, Flo-tech contour Visco (only for France)	14

Backrest

Backrest, Laguna2	15
Backrest, tension adjustable	16

Legrests

Legrest AA, ALU2008	17
---------------------------	----

Footrests

Footrest, fixed, Alu2003	18
Footrest, AA, Alu2003	19
Heel strap	21

Siderests

Armrest, Ducktail	22
Armrest, hemiplegic	23
Armrest, padded	24

Front Wheels

Castor wheels	25
---------------------	----

Rear Wheels

Wheel 12"	26
Wheels 24" Basic	27
Wheels 24" Basic DB	28
Wheel 24-22-20"	29
Handrim Stainless Cpl, 24" Wheel, Std2010	31
Wheel 24-22" DB	32
Handrim Stainless Cpl, 24" Wheel, Std2010	31

Brakes

Brakes	34
Brake attachment	35
Drumbrake, assistant manoeuvred	36

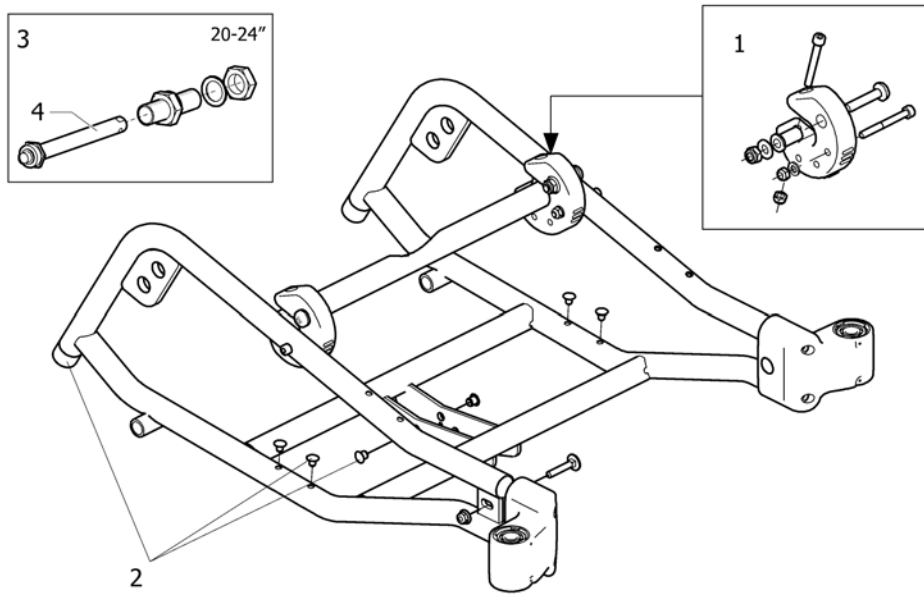


Yes, you can.®

TABLE OF CONTENTS

Drumbrake, assistant manoeuvred (=>04.2011)	37
Safety Options	
Pelvic belt	38
Reflector	39
Anti-tip device	40
Seating Options	
Headrest	41
Neckrest	42
Cheek support	43
Trunk support, Laguna2	44
Trunk support, Laguna2 (->2012.04)	45
Trunk support, Swingaway, Laguna2	46
Trunk support, Swingaway, Laguna2 (->2012.04)	47
Trunk support, multi adj, Swingaway, Laguna2	48
Pommel	49
Head-/Neckrest pole	50
Others Options & Accessories	
Dripstand	51
Table tray	52
Table tray, Azalea Max	53

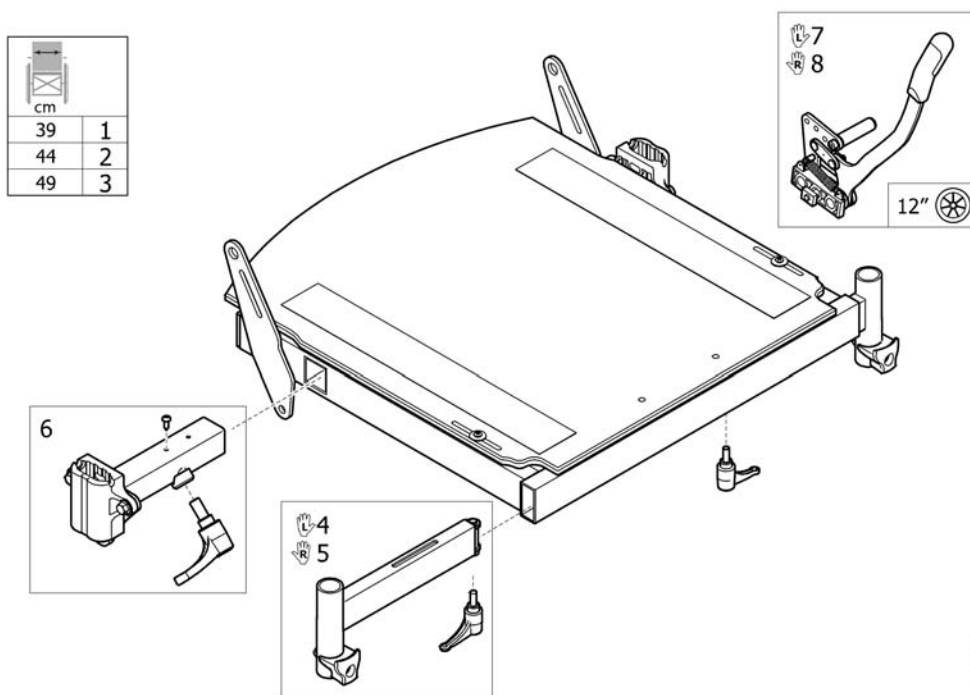
Chassis



0900011505

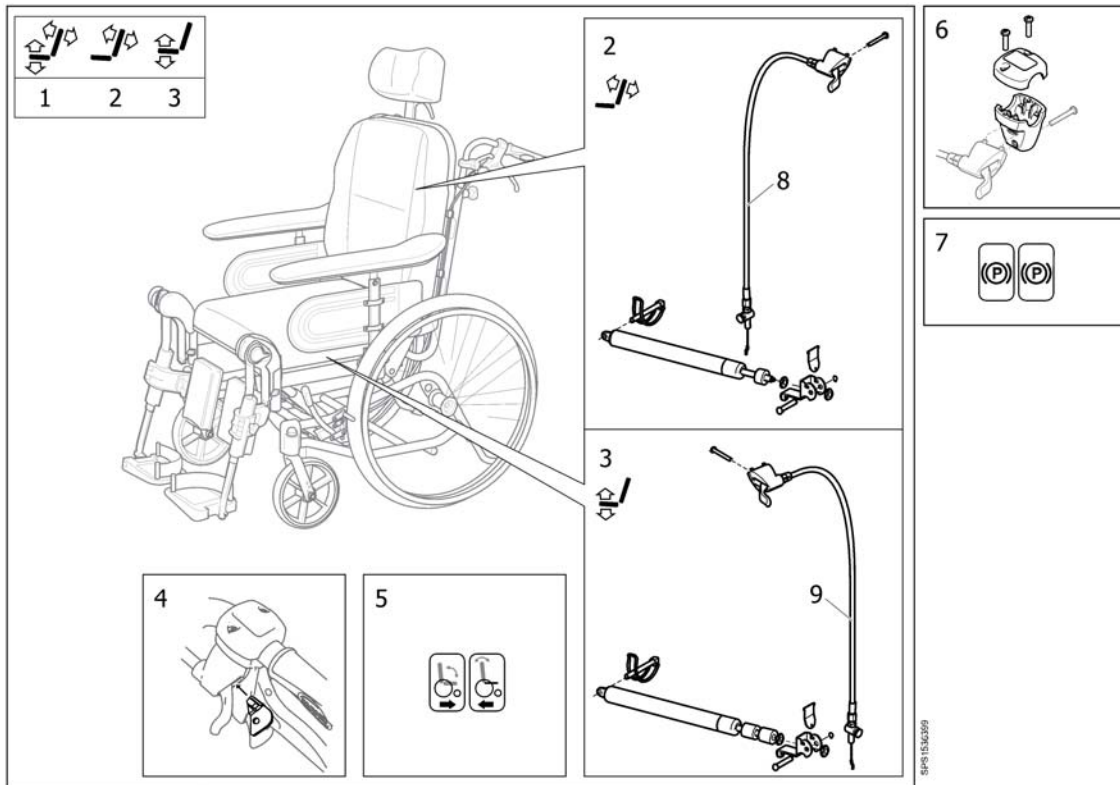
Pos.	Part number	Description	Valid from → until	Qty
1	1495776	PLASTIC LINK CPL., PAIR		1
2	1495777	PLUG KIT CPL, CHASSIS, CLEMATIS		1
3	5750166	QR axle kit (when serial number start by 02)		1
4	5750165	QR Axle 12mm		1

Rea® Clematis | Chassis
(only for France)



Pos.	Part number	Description	Valid from → until	Qty
1	1536155	SEAT FRAME CL 39 WIDTH ADJ. CPL		1
2	1536156	SEAT FRAME CL 44 WIDTH ADJ. CPL		1
3	1536207	SEAT FRAME CL 49 WIDTH ADJ. CPL		1
4	1536126	LEGREST ATT. WIDTH ADJ. CPL, LEFT, CLEMATIS		1
5	1536125	LEGREST ATT. WIDTH ADJ. CPL, RIGHT, CLEMATIS		1
6	1536127	ARMREST ATT. WIDTH ADJ. CPL, CLEMATIS		1
7	1508981	BRAKE CPL BENT LEVER, LEFT		1
8	1508980	BRAKE CPL BENT LEVER, RIGHT		1

Seat and backrest tilt, assistant man.

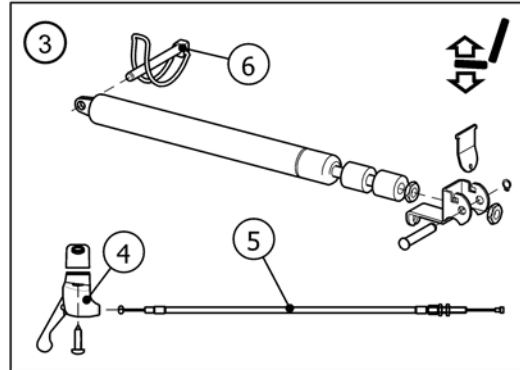
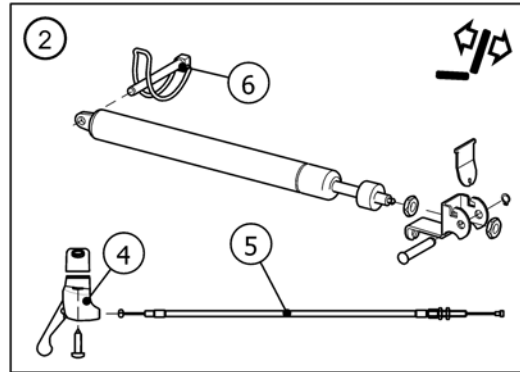
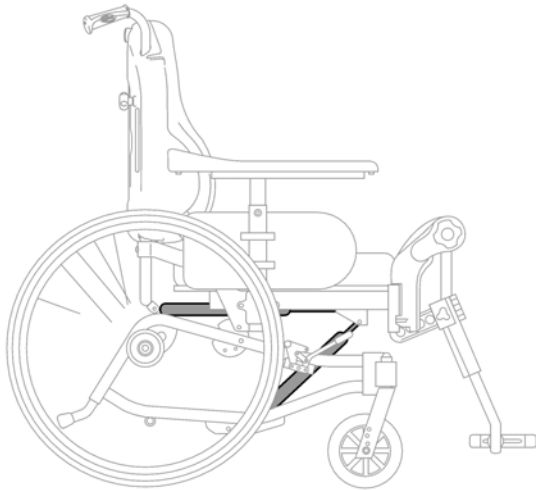


SPS 1536399

Pos.	Part number	Description	Valid from → until	Qty
1	1536399	ASS. OPER. SEAT+BACKREST TB CPL		1
2	1536400	MANOUVERING KIT BACKREST CPL		1
3	1536401	MANOUVERING KIT SEAT CPL		1
4	1527435	LOCKING DEVICE, MANOUVERING KIT		1
5	1536373	DECAL, CABLE ASSEMBLY, TILT		1
6	1527287	Housing Cpl, Tilt		1
7	1536764	DECAL, CABLE ASSEMBLY, BRAKE		1
8	1536330	CABLE ASSY 1363, LH, TILT, INCL. SCREW		1
9	1536327	CABLE ASSY 1363, RH, TILT, INCL. SCREW		1

Seat and backrest tilt, assistant man. (=> 2011.04)


Clematis	1	2	3

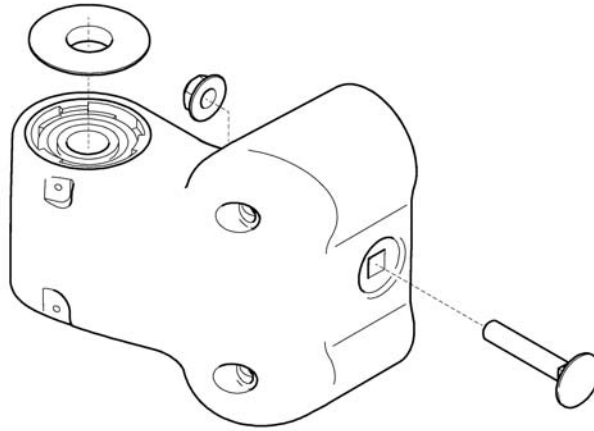


SPS1508078

Pos.	Part number	Description	Valid from → until	Qty
1	1508078	KIT SEAT AND BACKREST, ERGOMATIS		1
2	1508076	PISTON KIT BACKREST, ERGOMATIS		1
3	1508075	PISTON KIT SEAT, ERGOMATIS		1
4	1431734	HANDLE, SACCON		1
5	1508063	WIRE CONTROL 5 MM, SEAT/BACK, ERGOMATIS		1
6	1439936	Pin with Loop 8X60		1

Castor attachment, fixed

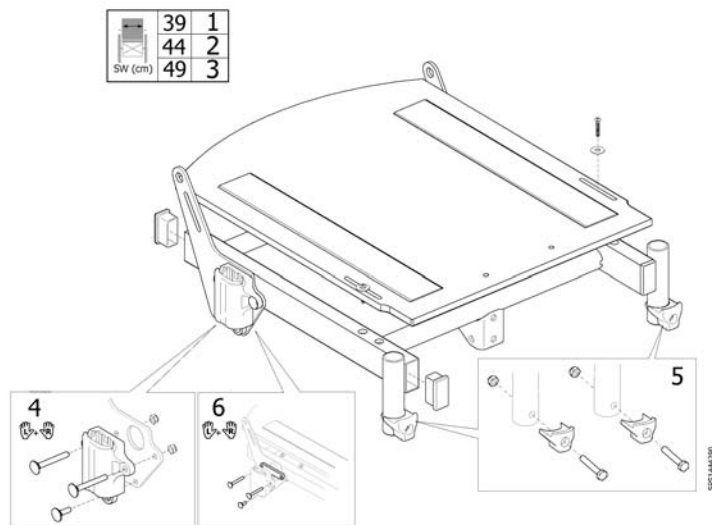
	
1	2



5254308

Pos.	Part number	Description	Valid from → until	Qty
1	5254309	CASTOR HOUSING, PAIR		1
2	5254308	CASTOR HOUSING FIXED		2

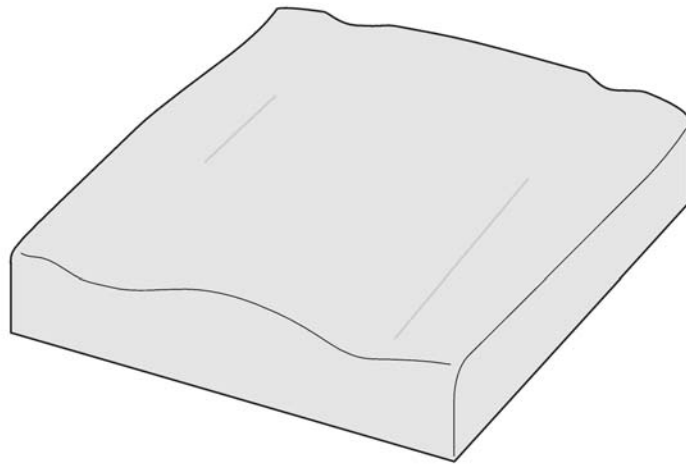
Seat frame



Pos.	Part number	Description	Valid from → until	Qty
1	1444290	SEAT FRAME 39 CPL, CLEMATIS		1
2	1444291	SEAT FRAME 44 CPL, CLEMATIS		1
3	1444292	SEAT FRAME 49 CPL, CLEMATIS		1
4	1522926	ATTACHMENT, ARMREST, PAIR		1
5	1508091	KIT, LEGREST ATTACHM. BLOCK PAIR		1
6	5106222	WIDTH EXTENSION KIT, ARMREST, PAIR		1

Seat cushion, Flo-shape

SW (mm)	TR26	TR35	TR36
Azalea			
340	1	2	3
390	4	5	6
390 +50	4	5	6
390 +100	7	8	9
440	7	8	9
440 +50	7	8	9
440 +100	10	11	12
490	10	11	12
490 +50	10	11	12
490 +100	10	11	12
Bellis			
Small 410	4	5	
Medium 460	7	8	
Large 510	10	11	
Clematis			
390	1	2	
440	4	5	
490	7	8	
Dahlia			
390	4	5	6
390 +50	4	5	6
390 +100	7	8	9
440	7	8	9
440 +50	7	8	9
440 +100	10	11	12
490	10	11	12
490 +50	10	11	12
490 +100	10	11	12

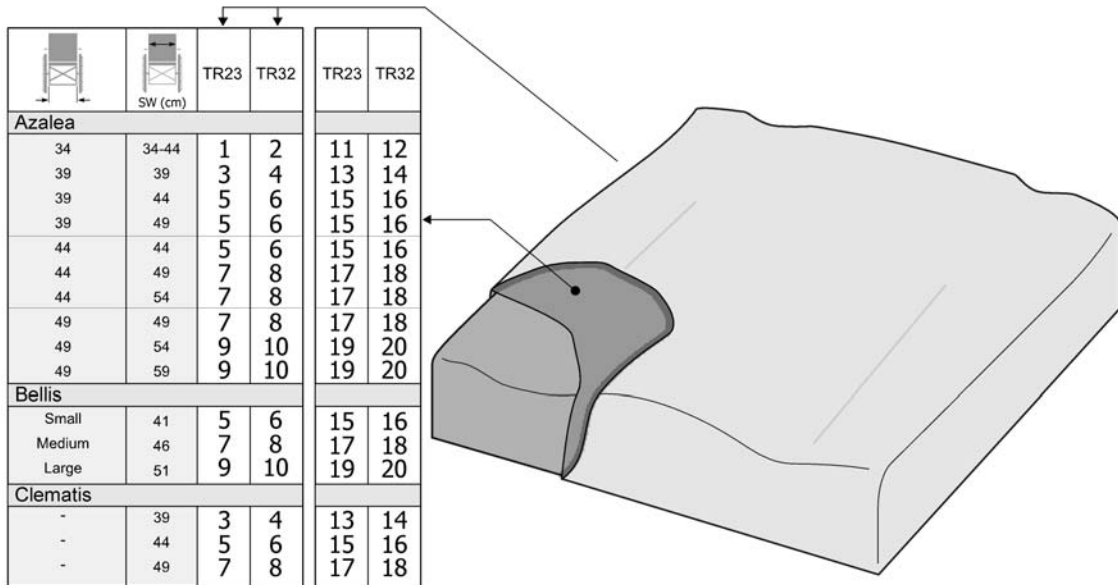


	Färg	Colour	Farbe	Couleur
TR26	dartex svart	dartex black	dartex schwarz	dartex noir
TR35	plysch svart	plysch black	plüsch schwarz	velours noir
TR36	spacer svart	spacer black	spacer schwarz	spacer noir

010909-1-0-01

Pos.	Part number	Description	Valid from → until	Qty
1	1509920-TR26	SEATCUSHION, FLOSHAPE, 355X450, DARTEX BLACK		1
2	1509920-TR35	SEATCUSHION, FLOSHAPE, 355X450, PLUSH BLACK		1
3	SP1509920-TR36	SEAT CUSHION, FLOSHAPE, 355X450, SPACER BLACK		1
4	1508055-TR26	Seat cushion Flo-shape, 405x535 mm, Dartex black (TR26)		1
5	1508055-TR35	SEAT CUSHION 405X535, FLOSHAPE, PLUSH BLACK		1
6	SP1508055-TR36	SEAT CUSHION, FLOSHAPE, 405X535, SPACER BLACK		1
7	1508057-TR26	Seat cushion Flo-shape, 455x535 mm, Dartex black (TR26)		1
8	1508057-TR35	SEAT CUSHION 455X535, FLOSHAPE, PLUSH BLACK		1
9	SP1508057-TR36	SEAT CUSHION, FLOSHAPE, 455X535, SPACER BLACK		1
10	1508059-TR26			1
11	1508059-TR35	SEAT CUSHION 505X535, FLOSHAPE, PLUSH BLACK		1
12	SP1508059-TR36	SEAT CUSHION, FLOSHAPE, 505X535, SPACER BLACK		1


Seat cushion, Flo-shape =>2012-04-01

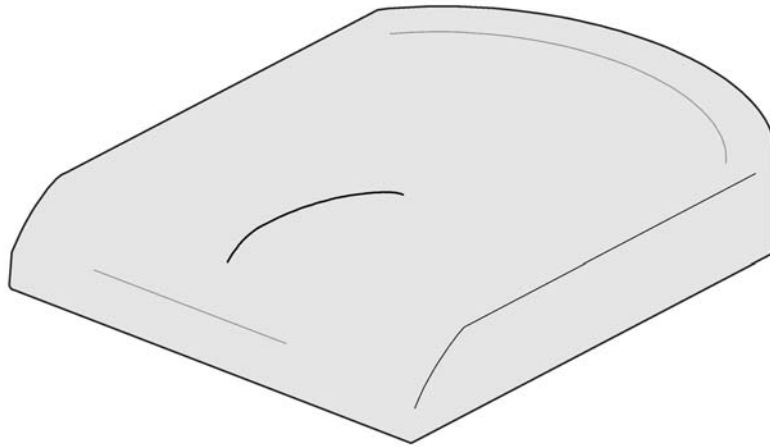


SP103063

Pos.	Part number	Description	Valid from → until	Qty
1	1509920	CUSHION FLO-SHAPE 330X450, SEAT TR23		1
2	1508976	CUSHION FLO-SHAPE 330X450, SEAT TR32		1
3	1508053	Flo-Shape cushion SW 355 x SD 535 Dartex		1
4	1508054	Flo-Shape cushion SW 355 x SD 535 Grey plush		1
5	1508055	Flo-Shape cushion SW 405 x SD 535 Dartex		1
6	1508056	Flo-Shape cushion SW 405 x SD 535 Grey plush		1
7	1508057	Flo-Shape cushion SW 455 x SD 535 Dartex		1
8	1508058	Flo-Shape cushion SW 455 x SD 535 Grey plush		1
9	1508059	CUSHION FLOSHAPE 505X535,SEAT,TR23		1
10	1508060	CUSHION FLOSHAPE 505X535,SEAT,TR32		1
11	1508977	UPHOLSTERY 330X450 SEAT, FLO-SHAPE TR23		1
12	1510626	UPHOLSTERY 330X450 SEAT, FLO-SHAPE TR32		1
13	1508081	UPHOLSTERY, SEAT, FLO-SHAPE 355X535, DARTEX GREY		1
14	1508082	UPHOLSTERY, SEAT, FLO-SHAPE 355X535, PLUSH GREY PRIMA		1
15	1508083	UPHOLSTERY, SEAT, FLO-SHAPE 405X535, DARTEX GREY		1
16	1508084	UPHOLSTERY, SEAT, FLO-SHAPE 405X535, PLUSH GREY PRIMA		1
17	1508085	UPHOLSTERY, SEAT, FLO-SHAPE 455X535, DARTEX GREY		1
18	1508086	UPHOLSTERY, SEAT, FLO-SHAPE 455X535, PLUSH GREY PRIMA		1
19	1508087	UPHOLSTERY, SEAT, FLO-SHAPE 505X535, DARTEX GREY		1
20	1508088	UPHOLSTERY, SEAT, FLO-SHAPE 505X535, PLUSH GREY PRIMA		1

Seat cushion, Mistral2

		
SW (mm)		
Azalea	TR26	TR23
390	1	
440	2	
490	3	
Dahlia	TR26	TR23
390	1	
390 +50	2	
390 +100	3	
440	2	
440 +50	3	
440 +100	4	
490	3	
490 +50	4	
490 +100	4	
Clematis	TR26	TR23
390	1	5
440	2	6
490	3	7




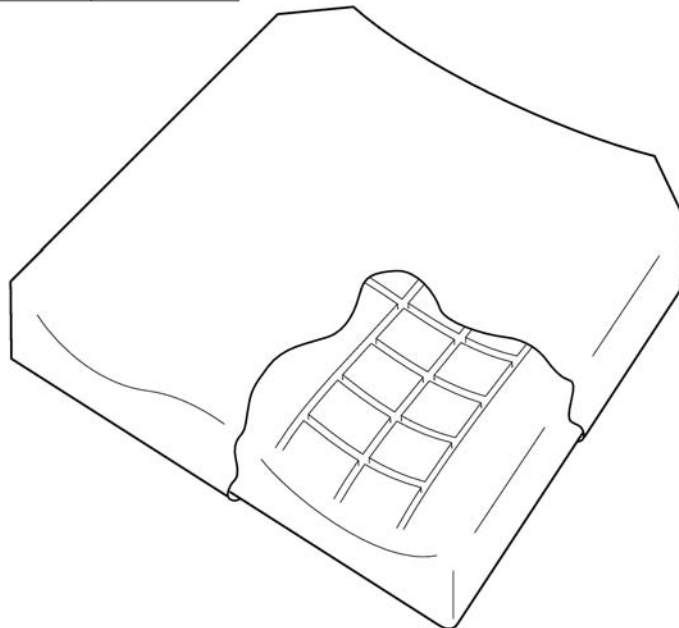
	Färg	Colour	Farbe	Couleur
TR26	dartex svart	dartex black	Dartex schwarz	dartex noir
--2012-04-01				
TR23	dartex grå	dartex grey	Dartex grau	dartex gris

6491151565

Pos.	Part number	Description	Valid from → until	Qty
1	SP1435856-TR26	SEAT CUSHION 365X490,MISTRAL 2-LAYER TR26		1
2	SP1435857-TR26	SEAT CUSHION 415X490,MISTRAL 2-LAYER TR26		1
3	SP1435858-TR26	SEAT CUSHION 465X490,MISTRAL 2-LAYER TR26		1
4	1435859-TR26	Seat cushion Mistral 515X490 mm, Dartex Black		1
5	1435856	Mistral shape cushion SW 365 x SD 490 Dartex		1
6	1435857	Mistral shape Cushion SW415 x SD490mm - Dartex		1
7	1435858	Mistral shape cushion SW 465 x SD 490 Dartex		1

Seat cushion, Flo-tech contour Visco (only for France)

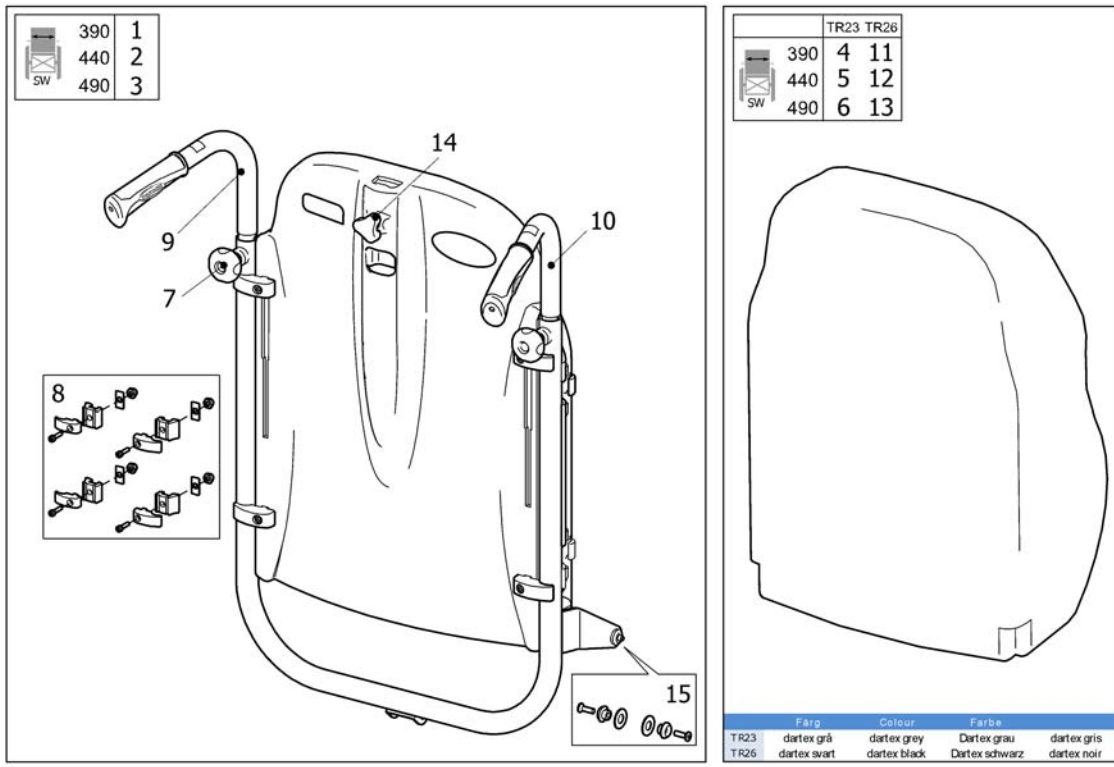
	39	+5	+10	44	+5	+10	49	+5	+10
SW (cm)									
Azalea	2	2	3	3	3	4	4	4	4
Cleamtis	1			2			3		



SPS1501122

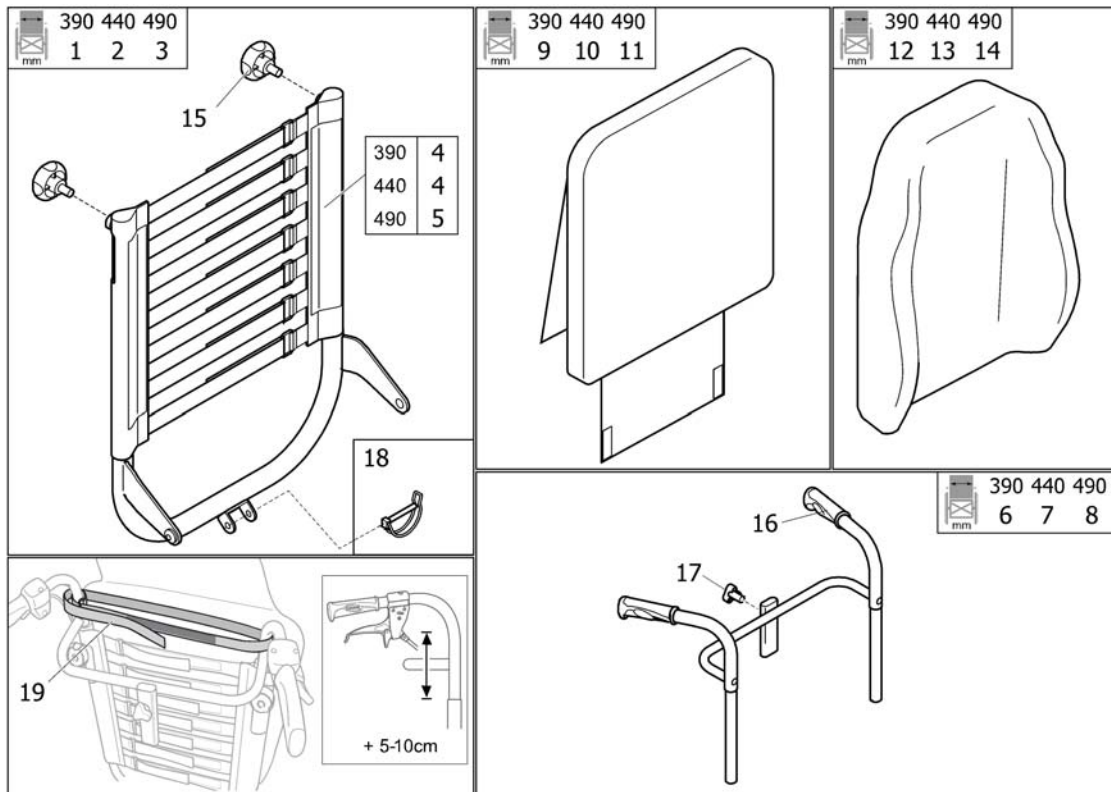
Pos.	Part number	Description	Valid from → until	Qty
1	1501120	CUSHION FLO-TECH 355X535 CONTOUR MEDIUM VISCO W.C		1
2	1501121	CUSHION FLO-TECH 405X535 CONTOUR FIRM VISCO W.COV		1
3	1501122	CUSHION FLO-TECH 455X535 CONTOUR FIRM VISCO W.COV		1
4	1501123	CUSHION FLO-TECH 505X535 CONTOUR V.FIRM VISCO W.C		1

Backrest, Laguna2



Pos.	Part number	Description	Valid from → until	Qty
1	1518793	BACKREST 39 CPL, LAGUNA 2 CL. SPARE PART		1
2	1519436	BACKREST 44 CPL, LAGUNA 2 CL. SPARE PART		1
3	1519437	BACKREST 49 CPL, LAGUNA 2 CL. SPARE PART		1
4	1439937	Backrest cushion comfort Laguna (XXS), 342x550 mm, Dartex grey (TR23)		1
5	1427119	Backrest cushion comfort Laguna (S), 402x550 mm, Dartex grey (TR23)		1
6	1427120	Backrest cushion comfort Laguna (M), 452x550 mm, Dartex grey (TR23)		1
7	SP1518478	Handwheel M10, pair		1
8	1518649	FITTING KIT, LAGUNA2		1
9	1518504	PUSH HANDLE, LEFT, CPL, LAGUNA 2 CL		1
10	1518503	PUSH HANDLE, RIGHT, CPL, LAGUNA 2 CL		1
11	SP1439937-TR26	BACKREST CUSHION, 342X550, LAGUNA, DARTEX BLACK		1
12	SP1427119-TR26	Backrest Cushion Laguna, 402x550mm, Dartex black		1
13	SP1427120-TR26	Backrest Cushion Laguna, 452x550mm, Dartex black		1
14	1497411	HANDWHEEL M12 LONG NECK/HEADREST		1
15	SP1579941	Screw kit, backrest stay		1

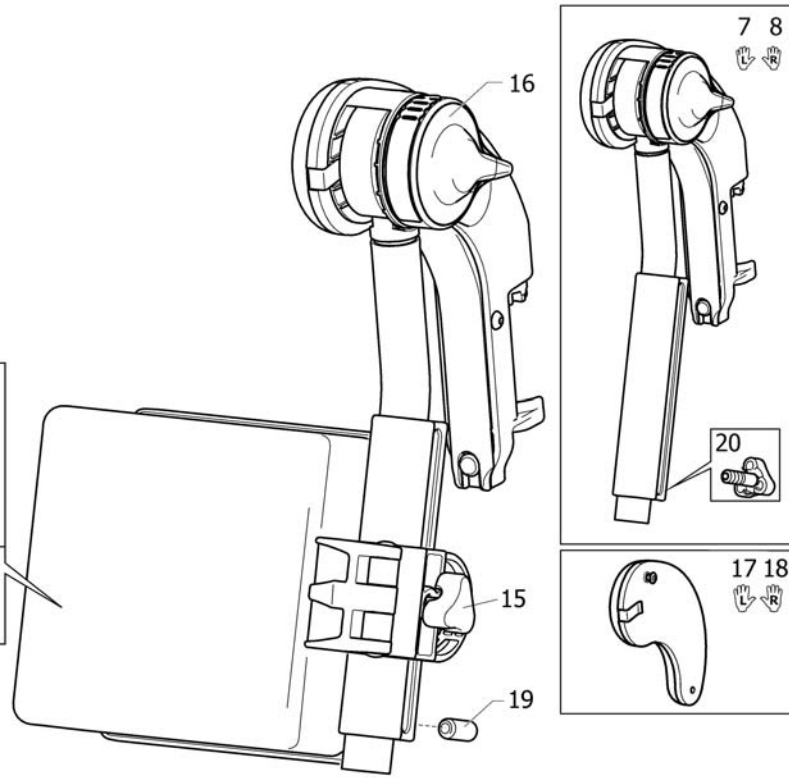
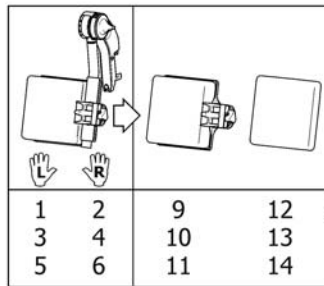
Backrest, tension adjustable



Pos.	Part number	Description	Valid from → until	Qty
1	SP1574791	BACKREST 390, TENSION ADJ., CLEMATIS		0
2	SP1574792	BACKREST 440, TENSION ADJ., CLEMATIS		0
3	SP1574793	BACKREST 490, TENSION ADJ., CLEMATIS		1
4	SP1574068	BACKREST BODY 390-440, TENSION ADJ.		1
5	SP1574069	BACKREST BODY 490-540, TENSION ADJ.		1
6	SP1572531	PUSH HANDLES 390, FIXED CPL. (FOR NECK- AND HEADREST)		1
7	SP1572574	PUSH HANDLES 440, FIXED CPL. (FOR NECK- AND HEADREST)		1
8	SP1572575	PUSH HANDLES 490, FIXED CPL. (FOR NECK- AND HEADREST)		1
9	SP1574717	COVER LATERAL 425X540, DARTEX BLACK		1
10	SP1543667	Backrest cushion Lateral 475x540mm, Dartex black (TR26)		1
11	SP1543669	Backrest cushion Lateral 525x540mm, Dartex black (TR26)		1
12	SP1427119-TR26	Backrest Cushion Laguna, 402x550mm, Dartex black		1
13	SP1427120-TR26	Backrest Cushion Laguna, 452x550mm, Dartex black		1
14	SP1427121-TR26	BACKREST CUSHION 492X550, LAGUNA, DARTEX BLACK		1
15	SP1518478	Handwheel M10, pair		1
16	1537634	Rubber Handle 22mm, Pair		1
17	1444175	HANDWHEEL UNLOSEABLE CPL CPL		1
18	1439936	Pin with Loop 8X60		1
19	SP1574804	SUPPORT STRAP 390-540, ADJ. BACKREST		1

Legrest AA, ALU2008

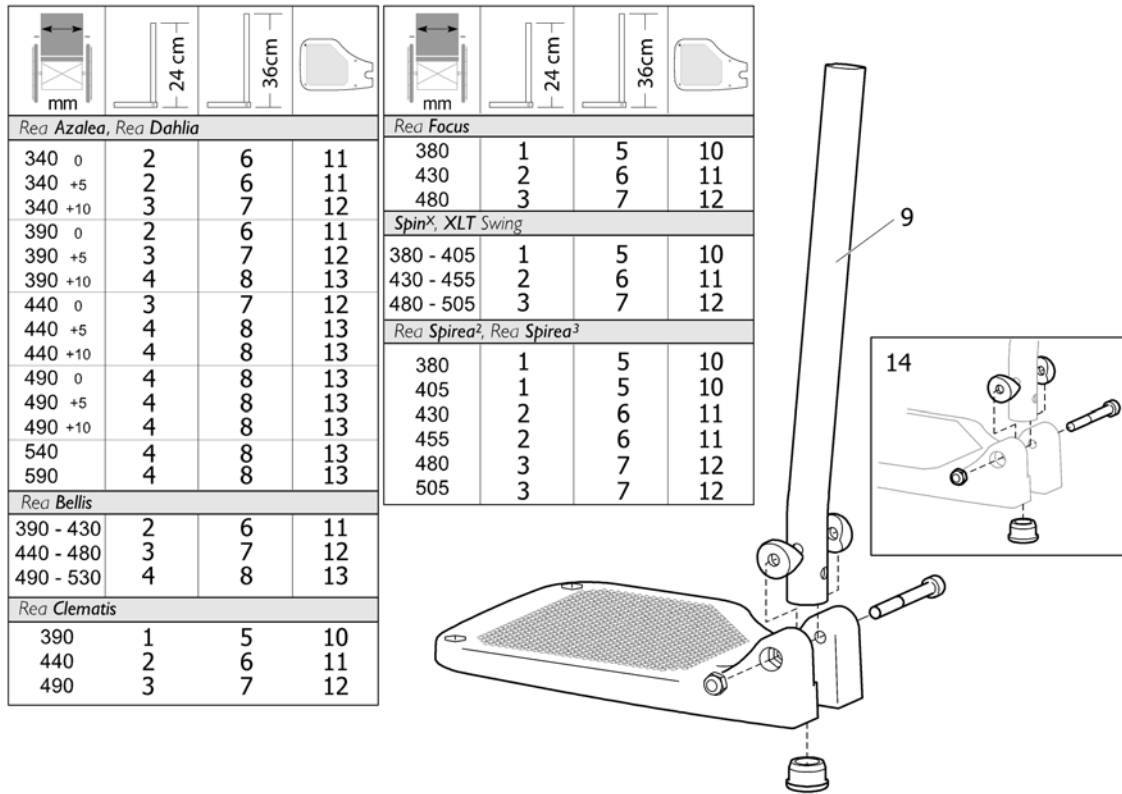
	SW(mm)	L	R
Azalea, Clematis, Dahlia	340-390	1	2
	440	3	4
	490	5	6
Bellis, Bellis 150	390-430 (S)	3	4
	440-480 (M)	5	6
	490-530 (L)	5	6



SP5131007

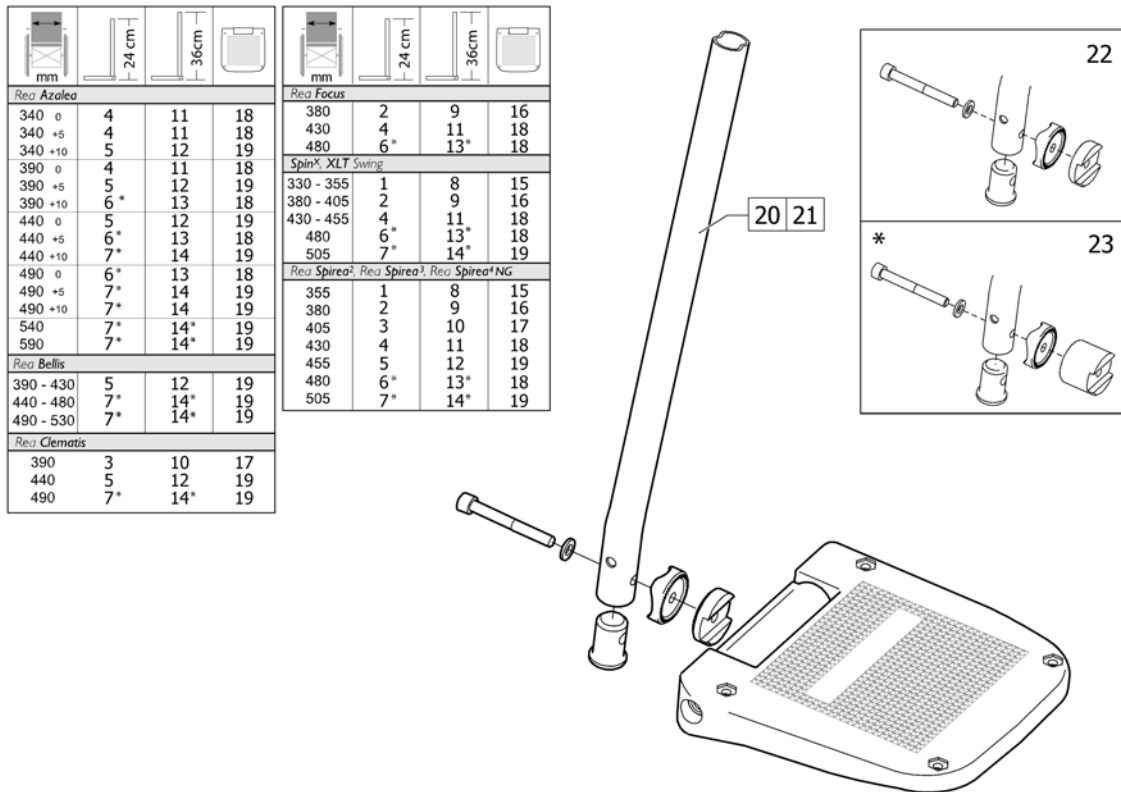
Pos.	Part number	Description	Valid from → until	Qty
1	1524984	HANGER (+ CALFPAD 12), LE, AA ALU2008 LEGREST		1
2	1524985	HANGER (+ CALFPAD 12), RI, AA ALU2008 LEGREST		1
3	1524986	HANGER (+ CALFPAD 15), LE, AA ALU2008 LEGREST		1
4	1524987	HANGER (+ CALFPAD 15), RI, AA ALU2008 LEGREST		1
5	1524988	HANGER (+ CALFPAD 18), LE, AA ALU2008 LEGREST		1
6	1524989	HANGER (+ CALFPAD 18), RI, AA ALU2008 LEGREST		1
7	1513007	Lh elevating legrest with kneepad Dartex		1
8	1513006	Rh elevating legrest with kneepad Dartex		1
9	1516313	CALF PAD 12 (140x170x80), CPL.		1
10	1516314	Calfpad Cushion, 19", Dartex black		1
11	1516315	CALF PAD 18 (190x170x80), CPL		1
12	1445763	PAD, CALFSUPPORT 12 CPL, DARTEX BLACK		1
13	1445764	PAD, CALFSUPPORT 15 CPL, DARTEX BLACK		1
14	1445765	PAD, CALFSUPPORT 18 CPL, DARTEX BLACK		1
15	1429215	HANDWHEEL M8		1
16	1508943	Incline adjustment lever		1
17	1513671	KNEEPAD (INCL SCREW), LE, AA LEGREST ALU2008	2008-10-01 →	1
18	1513716	KNEEPAD (INCL SCREW), RI, AA LEGREST ALU2008	2008-10-01 →	1
19	1424571	Screw stop M10x23		1
20	1429326	Handwheel M10, Spring		1

Footrest, fixed, Alu2003



Pos.	Part number	Description	Valid from → until	Qty
1	1428357	FOOTREST 19, "ALU2003", FIXED, SHORT, LEFT		1
1	1428358	FOOTREST 19, "ALU2003", FIXED, SHORT, RIGHT		1
2	1428361	FOOTREST 21ALU2003,LOWER PART,FIXED,SHORT,LEFT		1
2	1428362	FOOTREST 21ALU2003,LOWER PART,FIXED,SHORT,RIGHT		1
3	1428365	FOOTREST 24ALU2003,LOWER PART,FIXED,SHORT,LEFT		1
3	1428366	FOOTREST 24ALU2003,LOWER PART,FIXED,SHORT,RIGHT		1
4	1435756	FOOTREST 27ALU2003,LOWER PART,FIXED,SHORT,LEFT		1
4	1435757	FOOTREST 27ALU2003,LOWER PART,FIXED,SHORT,RIGHT		1
5	1428359	FOOTREST 19, "ALU2003", FIXED, LONG, LEFT		1
5	1428360	FOOTREST 19, "ALU2003", FIXED, LONG, RIGHT		1
6	1428363	LOWER FOOTREST STANDARD WITH HEELSTRAP, width 43-45,5cm, LEFT		1
6	1428364	LOWER FOOTREST STANDARD, WITH HEELSTRAP, width 43-45,5cm, RIGHT		1
7	1428367	Footrest 24 Fixed, Long, Lh, Alu2003		1
7	1428368	Footrest 24 Fixed, Long, Rh, Alu2003		1
8	1435659	FOOTREST 27ALU2003,LOWER PART,FIXED,LONG,LEFT		1
8	1435660	FOOTREST 27ALU2003,LOWER PART,FIXED,LONG,RIGHT		1
9	1434561-0010	Standard tube for fixed footrest		1
9	1434563-0010	Long tube for fixed and a&d adjustable footrest		1
10	1428340	Fixed footplate 175mm (SW380-405) Left		1
10	1428341	Fixed footplate 175mm (SW380-405) Right		1
11	1424574	Fixed footplate 200mm (SW430-455) Left		1
11	1424575	Fixed footplate 200mm (SW430-455) Right		1
12	1428346	Fixed footplate 225mm (SW480-505) Left		1
12	1428347	Fixed footplate 225mm (SW480-505) Right		1
13	1428374	Fixed footplate NG Lh 250 mm (SW550/605 Action NG)(SW490 Esprit Clematis)		1
13	1428375	Fixed footplate NG Rh 250 mm (SW550/605 Action NG)(SW490 Esprit Clematis)		1
14	1430433	Kit screws for fixed footrest		1

Footrest, AA, Alu2003

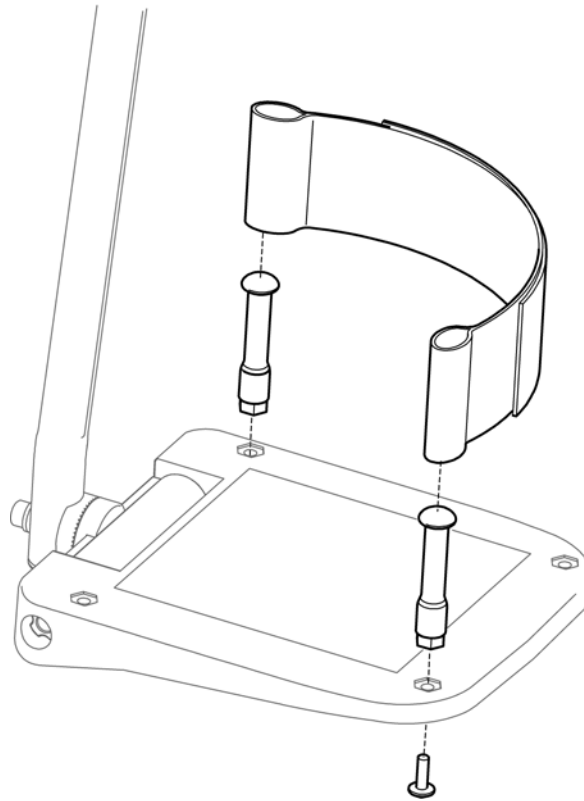


Pos.	Part number	Description	Valid from → until	Qty
1	1485430	Footrest 12 Short, Le, "Alu2003"		1
1	1485524	Footrest 12 Short, Ri, "Alu2003"		1
2	1429159	Footrest 14 aa, "Alu2003", Short, Left		1
2	1429160	Footrest 14 aa, "Alu2003", Short, Right		1
3	1429161	Footrest 16 aa, "Alu2003", Short, Left		1
3	1429162	Footrest 16 aa, "Alu2003", Short, Right		1
4	1429163	Footrest 17 aa, "Alu2003", Short, Left		1
4	1429164	Footrest 17 aa, "Alu2003", Short, Right		1
5	1429165	Footrest 18, "Alu2003", Lower Part, aa, Short, Left		1
5	1429166	Footrest 18, "Alu2003", Lower Part, aa, Short, Right		1
6	1429167	Footrest 19 aa, "Alu2003", Short, Left		1
6	1429168	Footrest 19 aa, "Alu2003", Short, Right		1
7	1429169	Footrest 20 Alu2003, Lower Part, aa, Short, Left		1
7	1429170	Footrest 20 Alu2003, Lower Part, aa, Short, Right		1
8	1485428	Footrest 12 Long, Le, "Alu2003"		1
8	1485429	Footrest 12 Long, Ri, "Alu2003"		1
9	1429171	Footrest 14 aa, "Alu2003", Long, Left		1
9	1429172	Footrest 14 aa, "Alu2003", Long, Right		1
10	1429173	Footrest 16 aa, "Alu2003", Long, Left		1
10	1429174	Footrest 16 aa, "Alu2003", Long, Right		1
11	1429175	Footrest 17 aa, "Alu2003", Long, Left		1
11	1429176	Footrest 17 aa, "Alu2003", Long, Right		1
12	1429177	Footrest 18, "Alu2003", Lower Part, aa, Long, Left		1
12	1429178	Footrest 18, "Alu2003", Lower Part, aa, Long, Ri		1
13	1429179	Footrest 19 aa, "Alu2003", Long, Left		1
13	1429180	Footrest 19 aa, "Alu2003", Long, Right		1
14	1429181	Footrest 20 Alu2003, Lower Part, aa, Long, Left		1
14	1429182	Footrest 20 Alu2003, Lower Part, aa, Long, Right		1
15	5106372	Footplate 12 aa, Cpl.		1
16	5106374	Footplate, angle and depth adjustable, 141 mm		1
17	5106375	Footplate, angle and depth adjustable, 156 mm		1

Footrest, AA, Alu2003

Pos.	Part number	Description	Valid from → until	Qty
18	5106594	Footplate, angle and depth adjustable, 166 mm		1
19	5106376	Footplate, angle and depth adjustable, 176 mm		1
20	1434561-0010	Standard tube for fixed footrest		1
21	1434563-0010	Long tube for fixed and a&d adjustable footrest		1
22	1430839	Kit fixation, adjustable footplate, short spacer		1
23	1430840	Kit fixation, adjustable footplate, long spacer		1

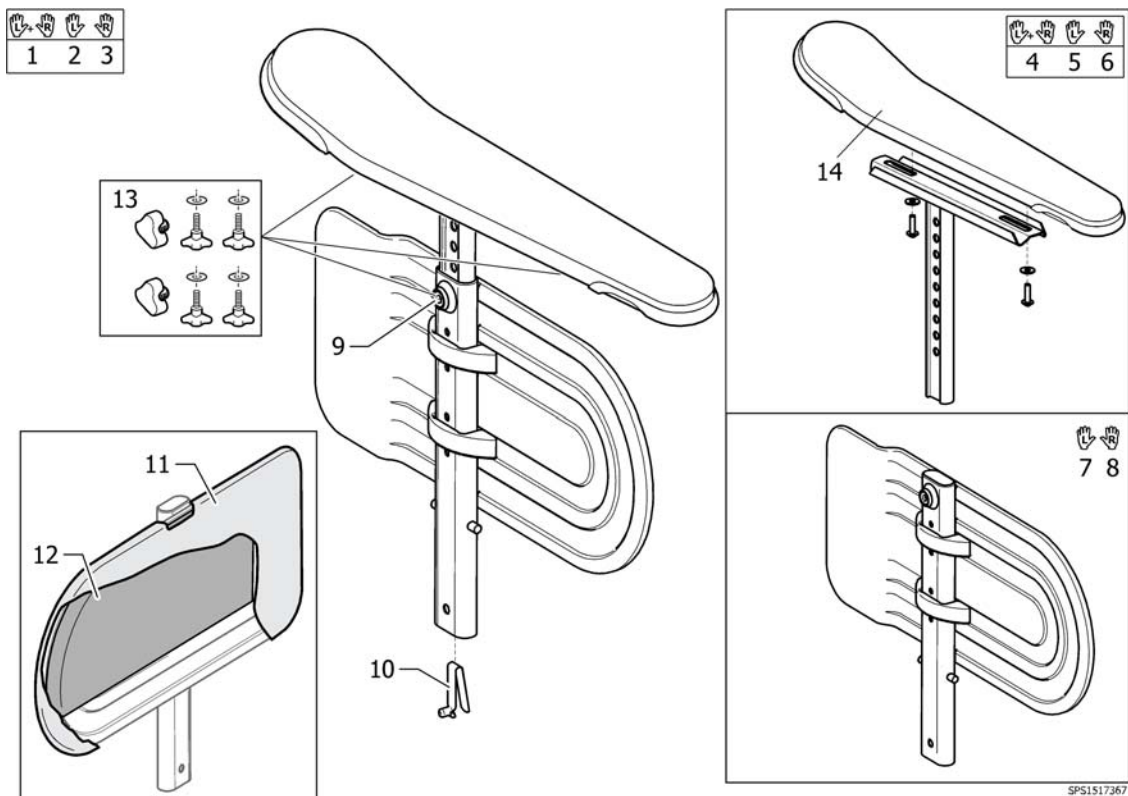
Heel strap



SPS5106433

Pos.	Part number	Description	Valid from → until	Qty
	5321579	Heel strap 400/500 (pair)		1

Armrest, Ducktail

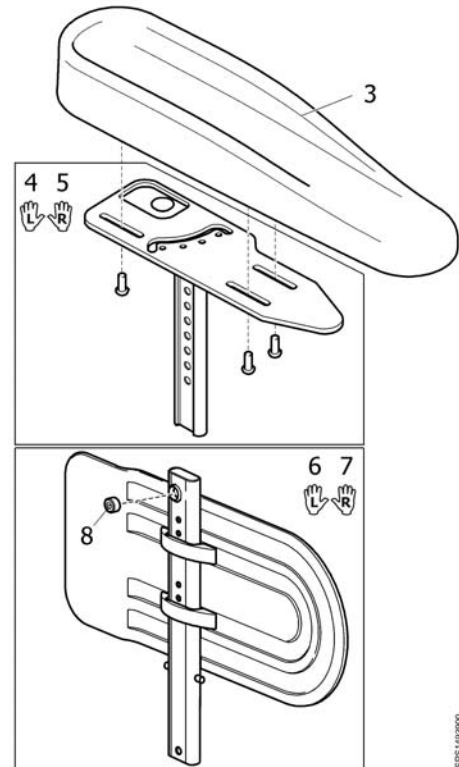
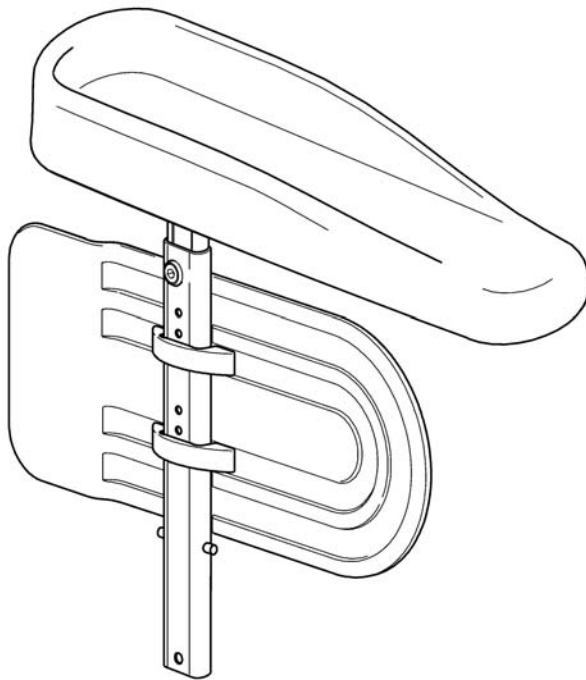


SPS1517367

Pos.	Part number	Description	Valid from → until	Qty
1	1530007	ARMREST, HEIGHT ADJ., CPL. PAIR		1
2	1517368	ARMREST, HEIGH ADJ. LEFT CPL.		1
3	1517367	ARMREST, HEIGH ADJ. RIGHT CPL.		1
4	1518704	ARMREST UPPER PART, HIGHT ADJ. PAIR		1
5	1518702	Ampad with support adjustable in height left		1
6	1518701	Ampad with support adjustable in height right		1
7	1415521	Skirtguard LH, cpl.		1
8	1415520	Skirtguard RH, cpl.		1
9	5106533	Locking screw M12X10		1
10	1560734	Spring pin locked armrest		1
11	1415453	Cover protects clothing Dartex Black		1
12	SP1563199	Padding, pair, armrest		1
13	SP1567515	HANDWHEEL KIT, PAIR, ARMREST		1
14	SP1451561	Ampad, Ducktail		1

Armrest, hemiplegic

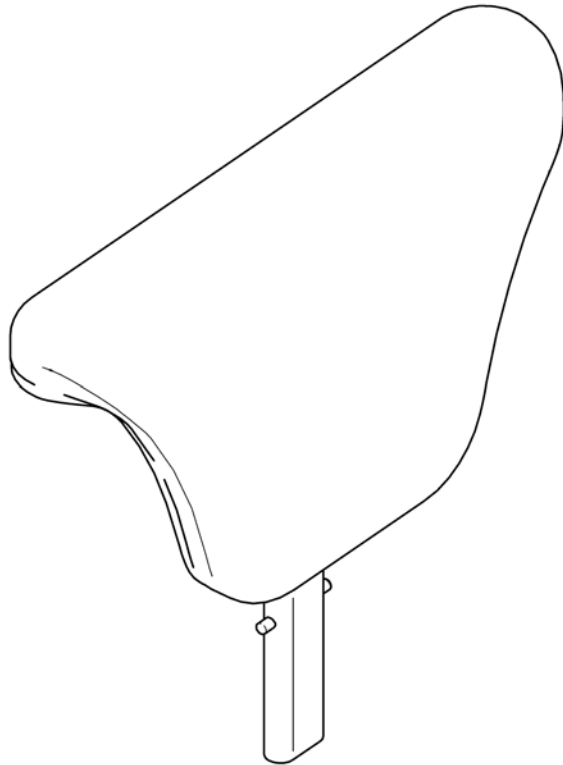
1 2
L R



SPS 1492900

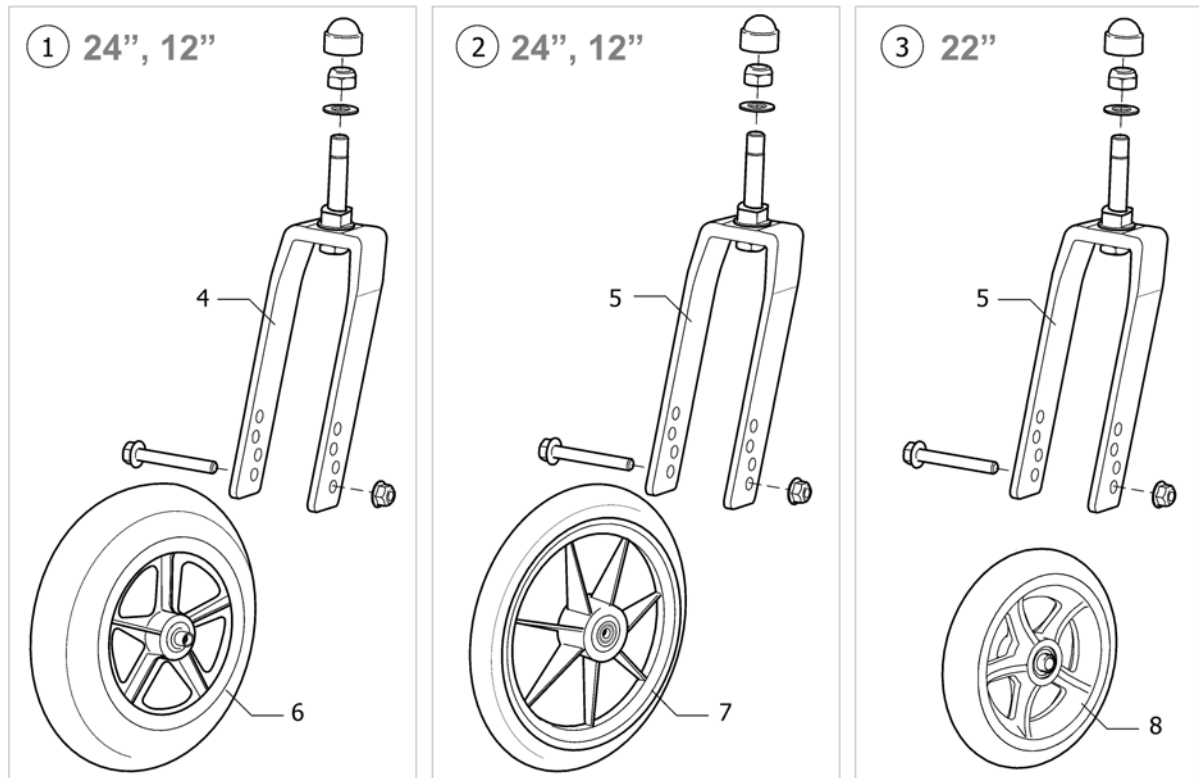
Pos.	Part number	Description	Valid from → until	Qty
1	1492901	Hemiplegic Armrest,Lh		1
2	1492900	Hemiplegic Armrest,Rh		1
3	1493251	Hemi dartex armpad		1
4	1494006	Support Hemi armrest Lh		1
5	1494005	Support Hemi armrest Rh		1
6	1415520	Skirtguard RH, cpl.		1
7	1415521	Skirtguard LH, cpl.		1
8	5106533	Locking screw M12X10		1

Armrest, padded



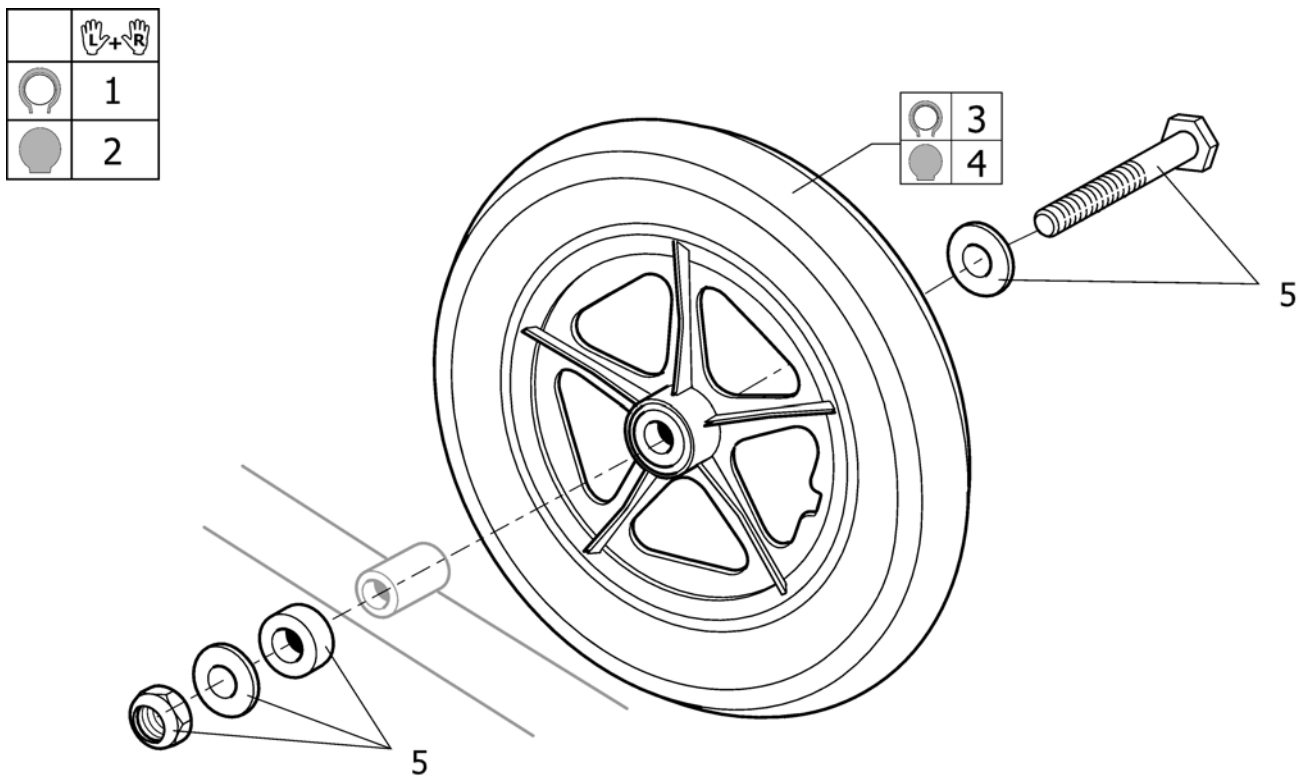
SPS1492547

Pos.	Part number	Description	Valid from → until	Qty
	1492547	ARMREST, PADDED		1

Castor wheels

Pos.	Part number	Description	Valid from → until	Qty
1	1491356	CASTOR 200x45 MH 110 W F		1
2	5320717	CASTOR 200x27 MH 110 N F		1
3	1555791	CASTOR 150x30 MH 110N F		1
4	5322139	FORK 110/60 FIXED, WIDE, CPL		1
5	5320666	FORK 110/40 FIXED, NARROW, CPL		1
6	1418196	Castor With Spoked Rim 200X45 Solid		1
7	5322004	200 X 27 Semi Rigid Front Wheel		1
8	1555797	CASTOR 150x30 (6") MH		1

Wheel 12"

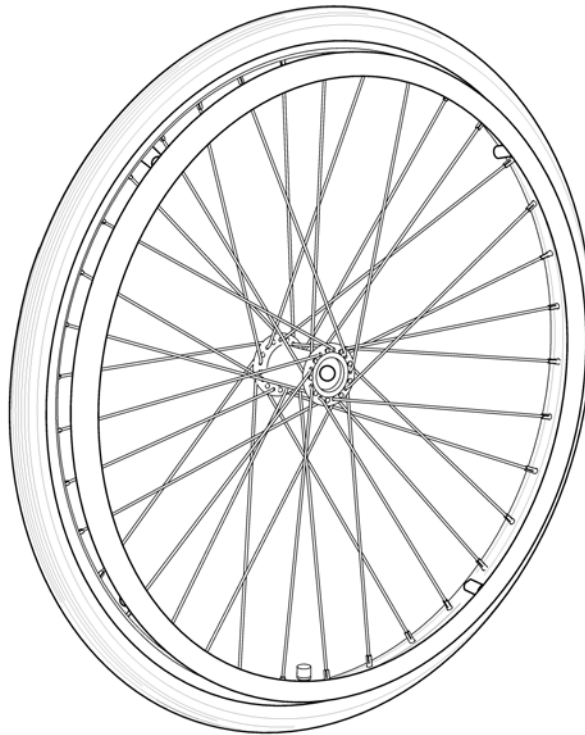


SP51518724

Pos.	Part number	Description	Valid from → until	Qty
1	1518724	12" WHEEL KIT, PAIR		1
2	1537141	KIT, 12" WHEEL, SOLID, PAIR		1
3	1584368	Part not for sale		1
4	6001790	12" Rear wheel, composite, standard hub, solid tyre, without axle Ø12		1
5	1505215	12" AXLE KIT CLEMATIS		1

Wheels 24" Basic

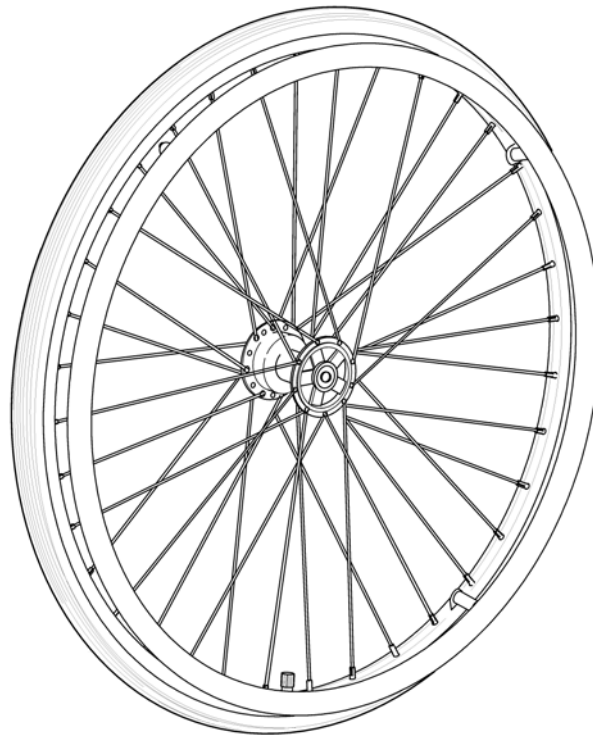
24"



Pos.	Part number	Description	Valid from → until	Qty
1	1498423	24" x 1.3/8" wheel,spoked,anodized handrim,pneumatic		1
2	1498263	24" x 1.3/8" wheel,spoked,anodized handrim,solid tyre,		1

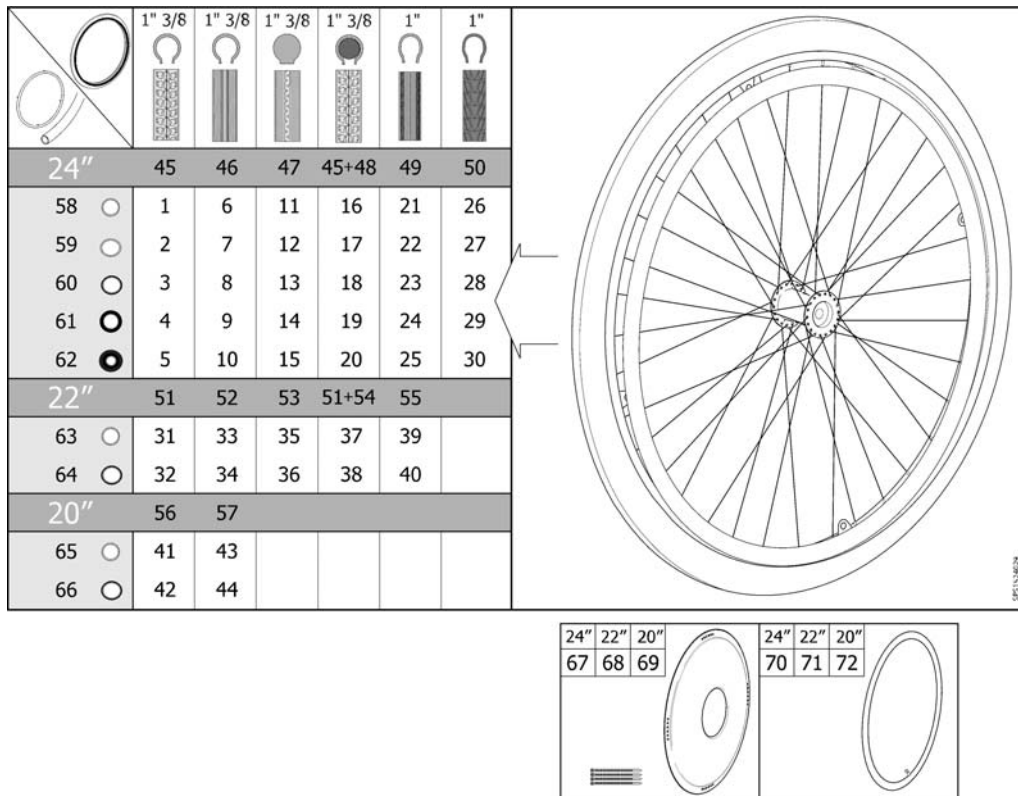
Wheels 24" Basic DB

24" DB



Pos.	Part number	Description	Valid from → until	Qty
1	1492644	Wheel 24" Basic Db, Pneumatic, Profiled + Handrim 21", Alu.		1
2	1492645	Wheel 24" Basic Db, Solid + 21" Alu.		1

Wheel 24-22-20"



Pos.	Part number	Description	Valid from → until	Qty
1	1524030	Wheel 24" Pneu. Profiled + Handrim, Alu, Std2010		1
2	1524186	Wheel 24" Pneu. Profiled + Handrim, Plastic Coated, Std2010		1
3	1530764	Wheel 24" Pneu. Profiled + Handrim, Stainless, Std2010		1
4	1531508	Wheel 24" Pneu. Profiled + Handrim, Foam Coated, Std2010		1
5	1531563	Wheel 24" Pneu. Profiled + Handrim, Blackgrip, Std2010		1
6	1524029	Wheel 24" Pneu. Non-Marking + Handrim, Alu, Std2010		1
7	1524163	Wheel 24" Pneu. Non-Marking + Handrim, Plastic Coated, Std2010		1
8	1530763	Wheel 24" Pneu. Non-Marking + Handrim, Stainless, Std2010		1
9	1531462	Wheel 24" Pneu. Non-Marking + Handrim, Foam Coated, Std2010		1
10	1531538	Wheel 24" Pneu. Non-Marking + Handrim, Blackgrip, Std2010		1
11	1524050	Wheel 24" Solid + Handrim, Alu, Std2010		1
12	1524188	Wheel 24" Solid + Handrim, Plastic Coated, Std2010		1
13	1530762	Wheel 24" Solid + Handrim, Stainless, Std2010		1
14	1531531	Wheel 24" Solid + Handrim, Foam Coated, Std2010		1
15	1531564	Wheel 24" Solid + Handrim, Blackgrip, Std2010		1
16	1524150	Wheel 24" Punctureproof + Handrim, Alu, Std2010		1
17	1524189	Wheel 24" Punctureproof + Handrim, Plastic Coated, Std2010		1
18	1531129	Wheel 24" Punctureproof + Handrim, Stainless, Std2010		1
19	1531532	Wheel 24" Punctureproof + Handrim, Foam Coated, Std2010		1
20	1531565	Wheel 24" Punctureproof + Handrim, Blackgrip, Std2010		1
21	1524049	Wheel 24x1" Low Profile + Handrim, Alu., Std2010		1
22	1524187	Wheel 24x1" Low Profile + Handrim, Plastic Coated, Std2010		1
23	1531063	Wheel 24x1" Low Profile + Handrim, Stainless Steel, Std2010		1
24	1531533	Wheel 24x1" Low Profile + Handrim, Foam Coated, Std2010		1
25	1531566	Wheel 24x1" Low Profile + Handrim, Black Grip, Std2010		1
26	1532143	Wheel 24" Black Marathon + Handrim, Alu., Std2010		1
27	1532183	Wheel 24" Black Marathon + Handrim, Plastic Coated, Std2010		1
28	1532144	Wheel 24" Black Marathon + Handrim, Stainless Steel, Std2010		1
29	1532184	Wheel 24" Black Marathon + Handrim, Foam Coated, Std2010		1
30	1532185	Wheel 24" Black Marathon + Handrim, Black Grip, Std2010		1
31	1523949	Wheel 22" Pneu. Profiled + Handrim, Alu, Std2010		1

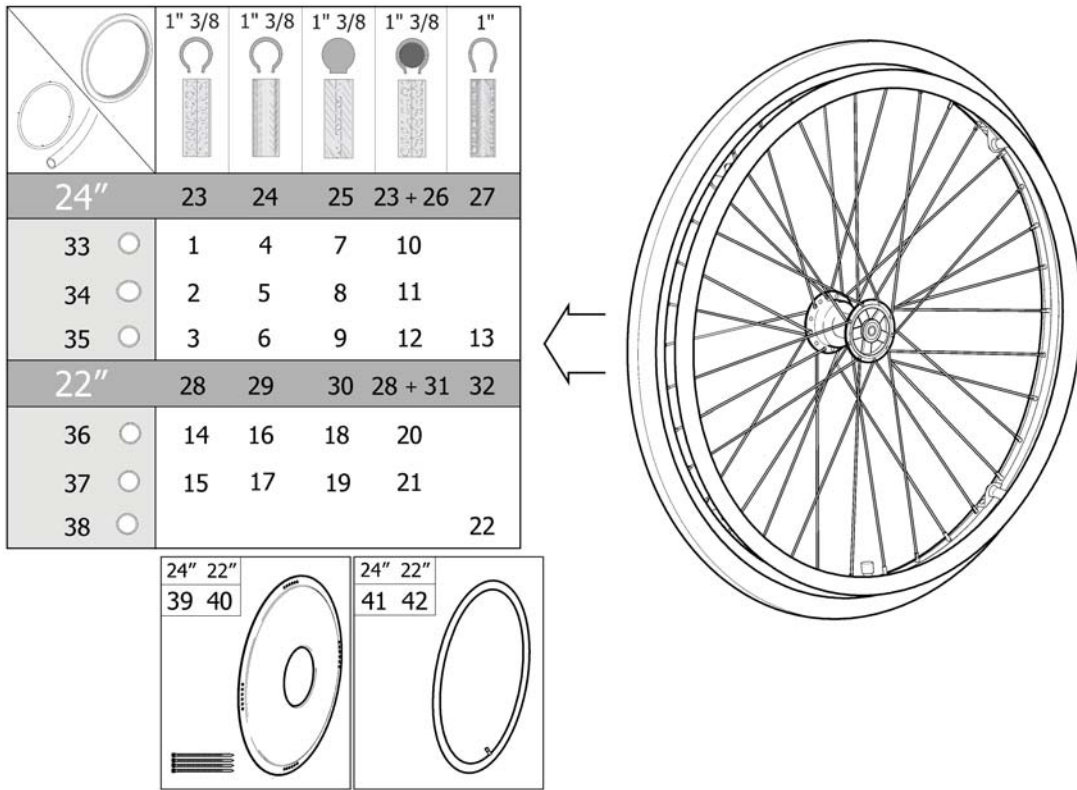
Wheel 24-22-20"

Pos.	Part number	Description	Valid from → until	Qty
32	1524024	Wheel 22" Pneu. Profiled + Handrim, Plastic Coated, Std2010		1
33	1523948	Wheel 22" Pneu. Non-Marking + Handrim, Alu, Std2010		1
34	1524023	Wheel 22" Pneu. Non-Marking + Handrim, Plastic Coated, Std2010		1
35	1524021	Wheel 22" Solid + Handrim, Alu, Std2010		1
36	1524027	Wheel 22" Solid + Handrim, Plastic Coated, Std2010		1
37	1524022	Wheel 22" Punctureproof + Handrim, Alu, Std2010		1
38	1524028	Wheel 22" Punctureproof + Handrim, Plastic Coated, Std2010		1
39	1524020	Wheel 22x1" Low Profile + Handrim, Alu., Std2010		1
40	1524026	Wheel 22x1" Low Profile + Handrim, Plastic Coated, Std2010		1
41	1523944	Wheel 20" Pneu. Profiled + Handrim, Alu, Std2010		1
42	1523945	Wheel 20" Pneu. Profiled + Handrim, Plastic Coated, Std2010		1
43	1523885	Wheel 20" Pneu. Non-Marking + Handrim, Alu, Std2010		1
44	1523902	Wheel 20" Pneu. Non-Marking + Handrim, Plastic Coated, Std2010		1
45	5750019	Tyre 24"x1 3/8", Profiled		1
46	5750014	Tyre 24"x1 3/8" (32-540), Non-Marking		1
47	5750015	Tyre 24"x1 3/8", Solid		1
48	5207046	Tube 24"x1 3/8", Flex		1
49	5750160	Tyre 24"x1" (25-540), Non-Marking		1
50	1512742	Tyre 24"x1" (25-540), Black Marathon		1
51	1531455	Tyre 22"x1 3/8" (37-501) Profiled		1
52	1531456	Pneumatic tyre, 22" x 1", HP, non marking		1
53	5750172	Tyre 22" Solid		1
54	5750732	Tube 22"x1 3/8", Flex		1
55	1531454	Tyre 22"x1" (25-501) Low Profile		1
56	5750017	Tyre 20"x1 3/8", Profiled		1
57	5750012	Tyre 20"x1 3/8", Non-Marking		1
58	1531577	Handrim Aluminium Cpl, 24" Wheel, Std2010		1
59	1531578	Handrim Plastic Cpl, 24" Wheel, Std2010		1
60	1531305	Handrim Stainless Cpl, 24" Wheel, Std2010		1
61	1531459	Handrim Foam Coated Cpl, 24" Wheel, Std2010		1
62	1531460	Handrim Black Grip Cpl, 24" Wheel, Std2010		1
63	1531579	Handrim Aluminium Cpl, 22" Wheel, Std2010		1
64	1531580	Handrim Plastic Cpl, 22" Wheel, Std2010		1
65	1530271	Handrim Aluminium Cpl, 20" Wheel, Std2010		1
66	1530272	Handrim Plastic Cpl, 20" Wheel, Std2010		1
67	5102807	Spoke Protection 24" Frosted Cpl		1
68	5102800	Spoke Protection 22" Frosted Cpl		1
69	5102795	Spoke Protection 20" Frosted Cpl		1
70	5750036	Tube 24"x1 3/8"		1
70	5750161	Tube 24"x1" (25-540)		1
71	5750035	Tube 22"x1 3/8"		1
72	5750034	Tube 20"x1 3/8"		1

Handrim Stainless Cpl, 24" Wheel, Std2010

Pos.	Part number	Description	Valid from → until	Qty
3854	1528924	SKRUV MRX M5X40 FZB, KLASS 4.8 PHIL, DIN 7985		4
3854	1529757	DRIVRING 24" ROSTFRI		1
3854	1531457	DISTANS DRIVRING L=22MM		4
3854	1531458	DISTANS DRIVRING L=5MM		4

Wheel 24-22" DB



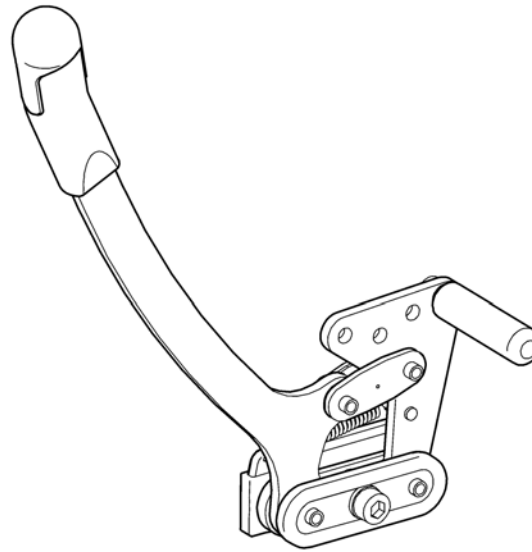
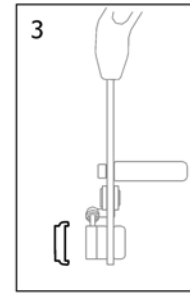
981534416

Pos.	Part number	Description	Valid from → until	Qty
1	1524437	Wheel 24" Db Pneu. Profiled + Handrim, Alu, Std2010		1
2	1524514	Wheel 24" Db Pneu. Profiled + Handrim, Plastic Coated, Std2010		1
3	1531080	Wheel 24" Db Pneu. Profiled + Handrim, Stainless, Std2010		1
4	1524436	Wheel 24" Db Pneu. Non-Marking + Handrim, Alu, Std2010		1
5	1524513	Wheel 24" Db Pneu. Non-Marking + Handrim, Plastic Coated, Std2010		1
6	1531064	Wheel 24" Db Pneu. Non-Marking + Handrim, Stainless, Std2010		1
7	1524447	Wheel 24" Db Solid + Handrim, Alu, Std2010		1
8	1524515	Wheel 24" Db Solid + Handrim, Plastic Coated, Std2010		1
9	1531127	Wheel 24" Db Solid + Handrim, Stainless, Std2010		1
10	1524512	Wheel 24" Db Punctureproof + Handrim, Alu, Std2010		1
11	1524516	Wheel 24" Db Punctureproof + Handrim, Plastic Coated, Std2010		1
12	1531128	Wheel 24" Db Punctureproof + Handrim, Stainless, Std2010		1
13	1536613	Wheel 24x1" Db Low Profile + Handrim, Stainless, Std2010		1
14	1524290	Wheel 22" Db Pneu. Profiled + Handrim, Alu, Std2010		1
15	1524361	Wheel 22" Db Pneu. Profiled + Handrim, Plastic Coated, Std2010		1
16	1524289	Wheel 22" Db Pneu. Non-Marking + Handrim, Alu, Std2010		1
17	1524337	Wheel 22" Db Pneu. Non-Marking + Handrim, Plastic Coated, Std2010		1
18	1524291	Wheel 22" Db Solid + Handrim, Alu, Std2010		1
19	1524388	Wheel 22" Db Solid + Handrim, Plastic Coated, Std2010		1
20	1524292	Wheel 22" Db Punctureproof + Handrim, Alu, Std2010		1
21	1524435	Wheel 22" Db Punctureproof + Handrim, Plastic Coated, Std2010		1
22	1536612	Wheel 22x1" Db Low Profile + Handrim, Stainless, Std2010		1
23	5750019	Tyre 24"x1 3/8", Profiled		1
24	5750014	Tyre 24"x1 3/8" (32-540), Non-Marking		1
25	5750015	Tyre 24"x1 3/8", Solid		1
26	5207046	Tube 24"x1 3/8", Flex		1
27	5750160	Tyre 24"x1" (25-540), Non-Marking		1
28	1531455	Tyre 22"x1 3/8" (37-501) Profiled		1
29	1531456	Pneumatic tyre, 22" x 1", HP, non marking		1
30	5750172	Tyre 22" Solid		1
31	5750732	Tube 22"x1 3/8", Flex		1

Wheel 24-22" DB

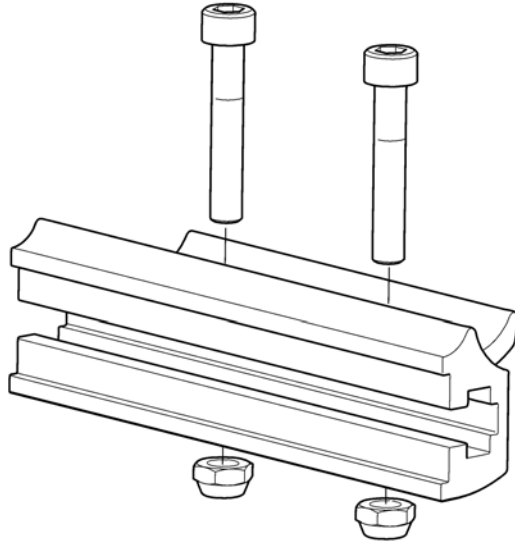
Pos.	Part number	Description	Valid from → until	Qty
32	1531454	Tyre 22"x1" (25-501) Low Profile		1
33	1531577	Handrim Aluminium Cpl, 24" Wheel, Std2010		1
34	1531578	Handrim Plastic Cpl, 24" Wheel, Std2010		1
35	1531305	Handrim Stainless Cpl, 24" Wheel, Std2010		1
36	1531579	Handrim Aluminium Cpl, 22" Wheel, Std2010		1
37	1531580	Handrim Plastic Cpl, 22" Wheel, Std2010		1
38	1536546	Handrim, Stainless Cpl, 22" Wheel, Std2010		1
39	5102807	Spoke Protection 24" Frosted Cpl		1
40	5102800	Spoke Protection 22" Frosted Cpl		1
41	5750036	Tube 24"x1 3/8"		1
42	5750035	Tube 22"x1 3/8"		1

Brakes



SP5149923

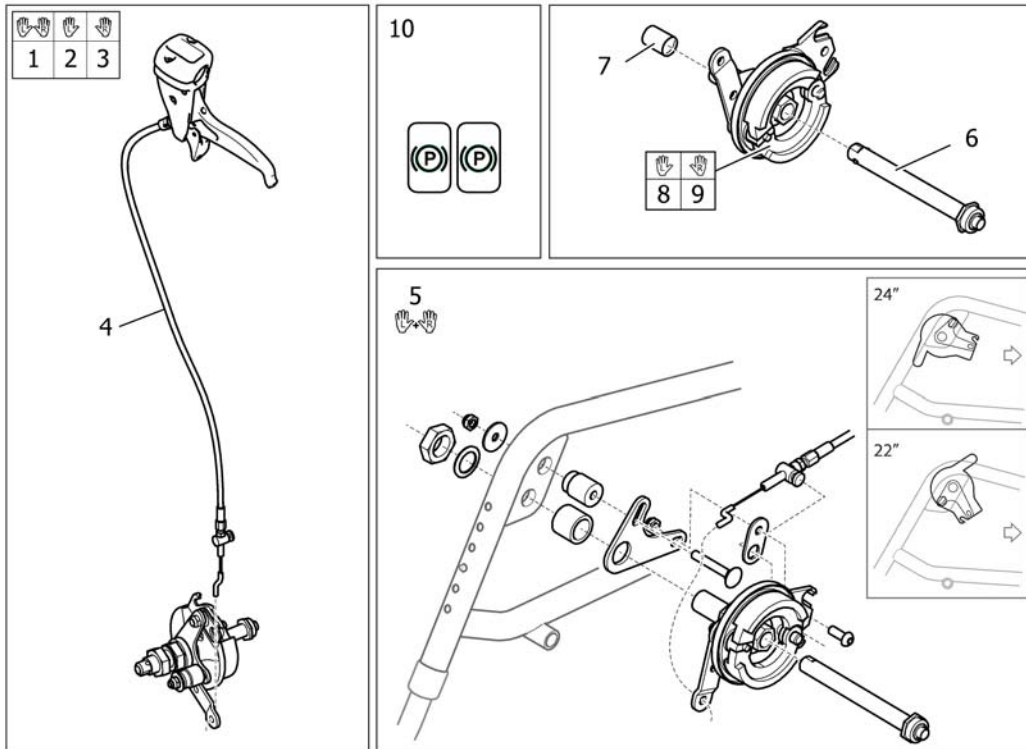
Pos.	Part number	Description	Valid from → until	Qty
1	1508124	BRAKE, LEFT, CLEMATIS		1
2	1508123	BRAKE, RIGHT, CLEMATIS		1
3	5106475	WIDTH EXTENSION 5mm,BRAKE		1

Brake attachment

SFS140901

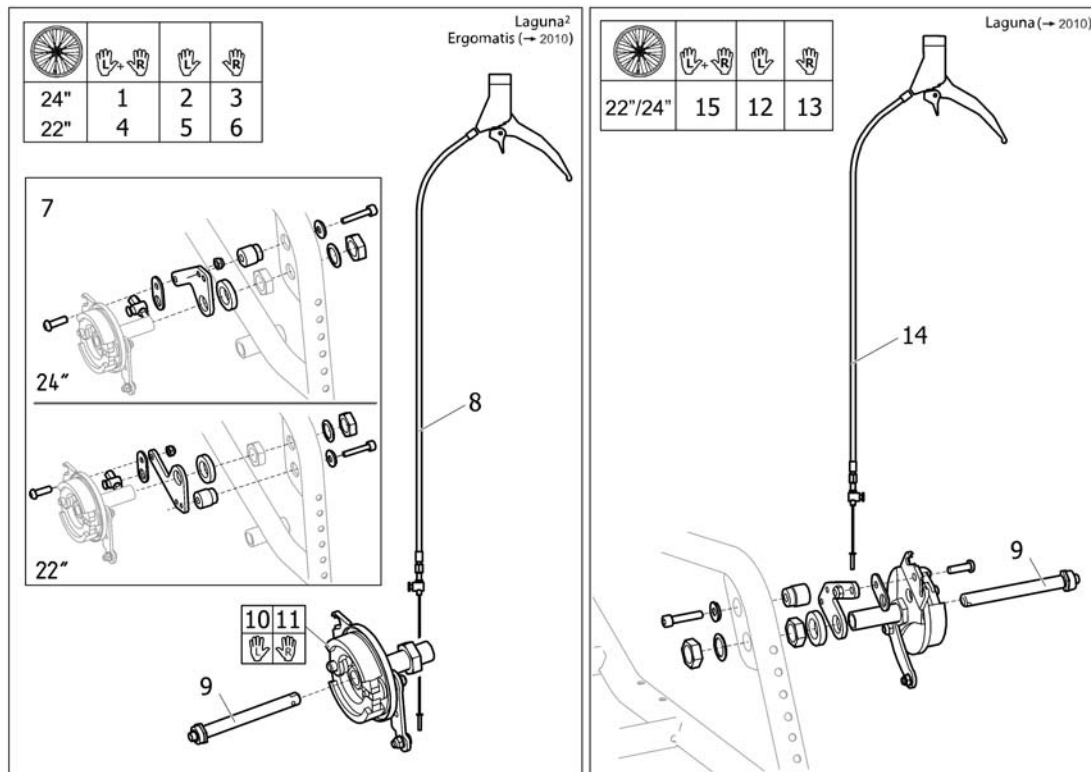
Pos.	Part number	Description	Valid from → until	Qty
	1491317	BRAKE ATTACHMENT		1

Drumbrake, assistant manoeuvred



Pos.	Part number	Description	Valid from → until	Qty
1	1536543	BRAKE KIT DB CPL, PAIR		1
2	1536545	BRAKE KIT DB LEFT, CPL		1
3	1536544	BRAKE KIT DB RIGHT, CPL		1
4	SP1527425	Cable assy 1235mm, brake		1
5	1492232	REAR WHEEL ATTACHMENT, PAIR, CLEMATIS		1
6	5750192	Axle, Drumbrake		1
7	5100925	PROTECTION CAP		1
8	1536252	DRUMBRAKE UNIT, RIGHT, MBL		1
9	1536253	DRUMBRAKE UNIT, LEFT, MBL		1
10	1536764	DECAL, CABLE ASSEMBLY, BRAKE		1

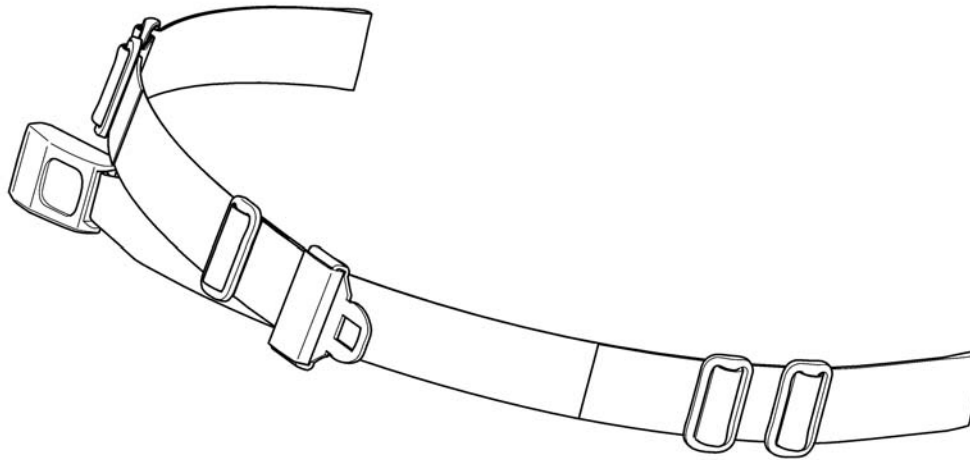
Drumbrake, assistant manoeuvred (=>04.2011)



Pos.	Part number	Description	Valid from → until	Qty
1	1497210	DRUMBRAKE 24", PAIR		1
2	1497214	DRUMBRAKE 24" CPL LEFT		1
3	1497213	DRUMBRAKE 24" CPL RIGHT		1
4	1497211	DRUMBRAKE 22", PAIR		1
5	1497216	DRUMBRAKE 22" CPL LEFT		1
6	1497215	DRUMBRAKE 22" CPL RIGHT		1
7	1497212	ATTACHMENT CPL., DRUMBRAKE		1
8	1497317	KIT, WIRE BRAKE		1
9	5750192	Axle, Drumbrake		1
10	5750199	Drumbrake Unit, Lh		1
11	5750705	Drumbrake Unit, Rh		1
12	1444287	DRUMBRAKE KIT QR, LEFT, CPL		1
13	1444286	DRUMBRAKE KIT QR, RIGHT, CPL		1
14	1514451	CABLE ASSY, DRUMBRAKE, WHEELER		1
15	1513104	DRUMBRAKE KIT 24" QR, LEFT, CPL, PAIR		1

Pelvic belt



1

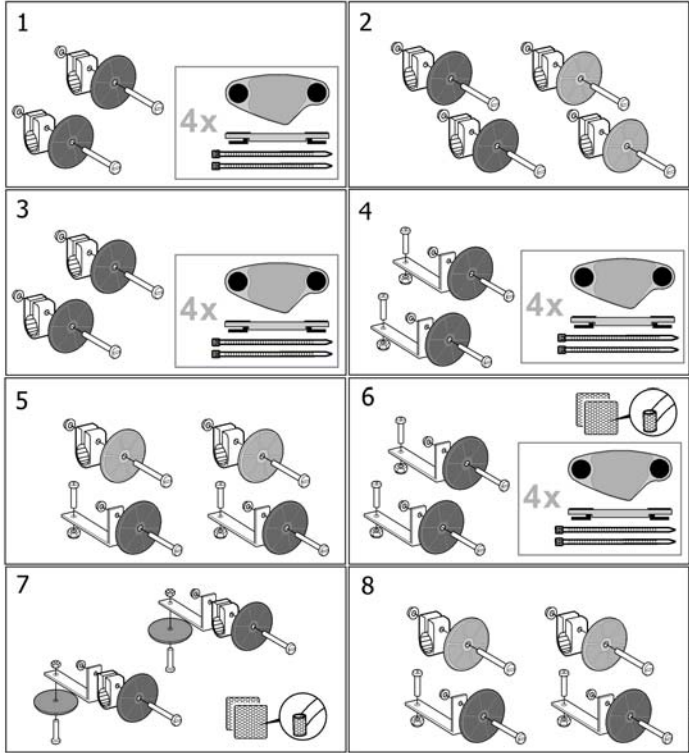


1551066

Pos.	Part number	Description	Valid from → until	Qty
1	1551066	Pelvic belt		1

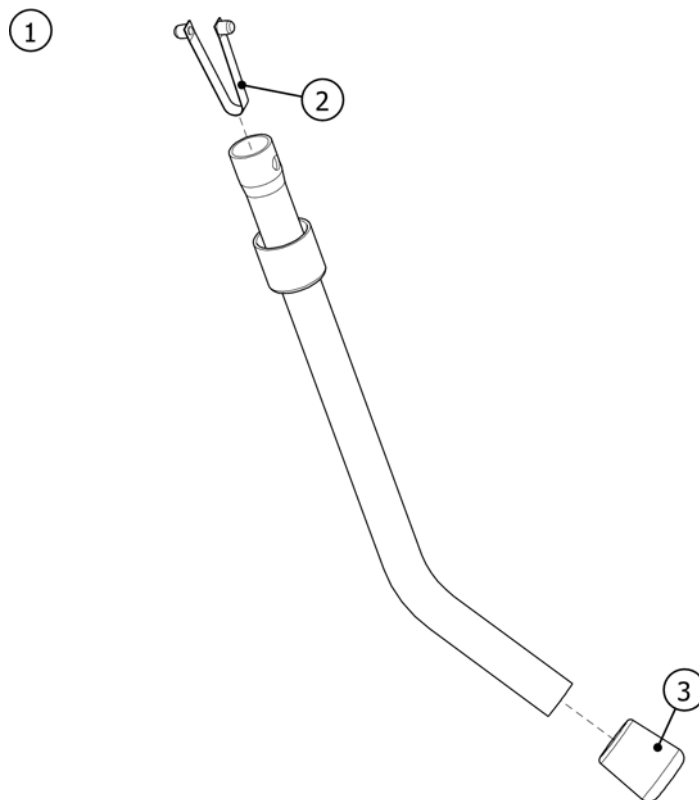
Reflector

		
	20-26"	16"
Azalea	1	2
Bellis	3	3
Clematis	1	-
Focus	4	8
Spin ^x	1	-
Spirea ² , Spirea ³ , Spirea ^{4NG}	4	5
Wheeler	6	7
XLT, XLT Max	3	-



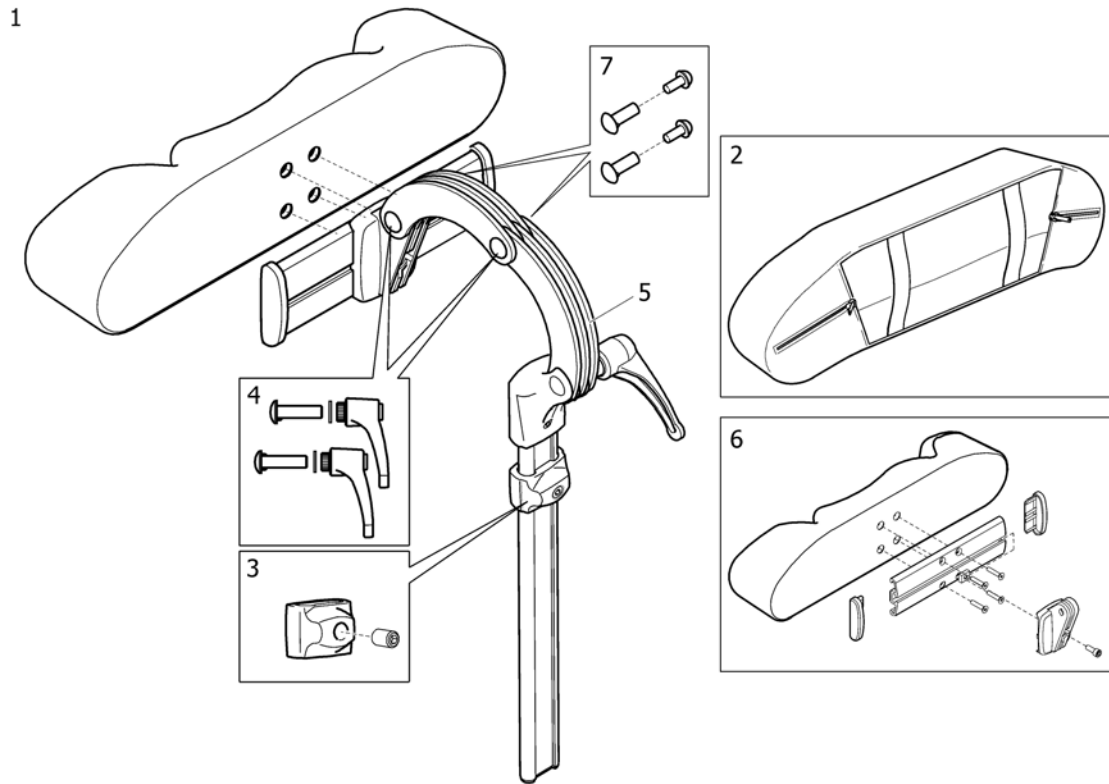
Pos.	Part number	Description	Valid from → until	Qty
1	SP5206655	Reflector kit 20-24"		1
2	SP5254249	Reflector kit 16"		1
3	5206640	Reflector Kit 3		1
4	5104965	Reflector Kit 5		1
5	1435760	Reflector Kit 6		1
6	5108147	Reflector Kit 7		1
7	5108024	Reflector Kit 8		1
8	1546559	Reflector Kit 9		1

Anti-tip device



Pos.	Part number	Description	Valid from → until	Qty
1	5254326-C01	TUBE ANTI-TIP DEVICE CPL		1
2	5321593	SPRING LOCK (DOBBLE)		1
3	5716493	END CAP Ø18, RUBBER BLACK		1

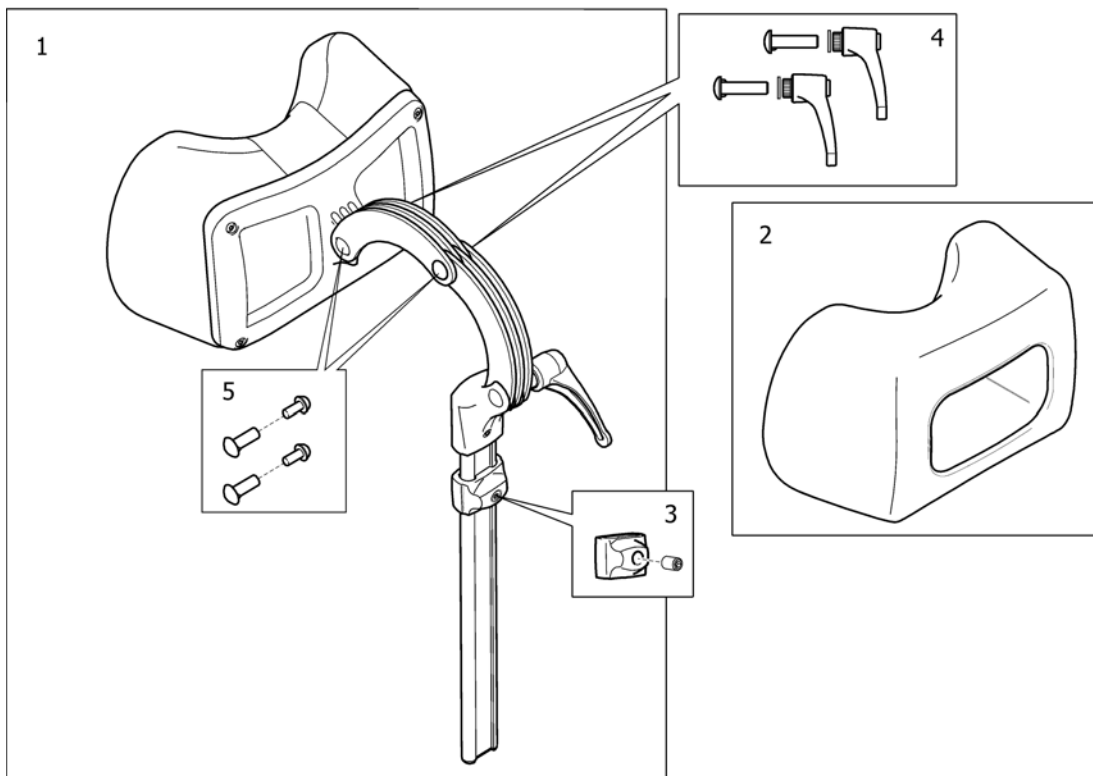
Headrest



SPS144659

Pos.	Part number	Description	Valid from → until	Qty
1	1446559	HEADREST TR26 CPL SIDEWISE ADJUSTABLE		1
2	1518516	Cover for headrest TR26		1
3	1448661	stop neck and headrest		1
4	1445693	HANDLES, CLINIC KIT NECK- AND HEADREST		1
5	1485538	Headrest fixation kit		1
6	1530755	HEADREST CUSHION CPL		1
7	SP1572769	FASTENERS KIT, HEAD- & NECKREST		1

Neckrest

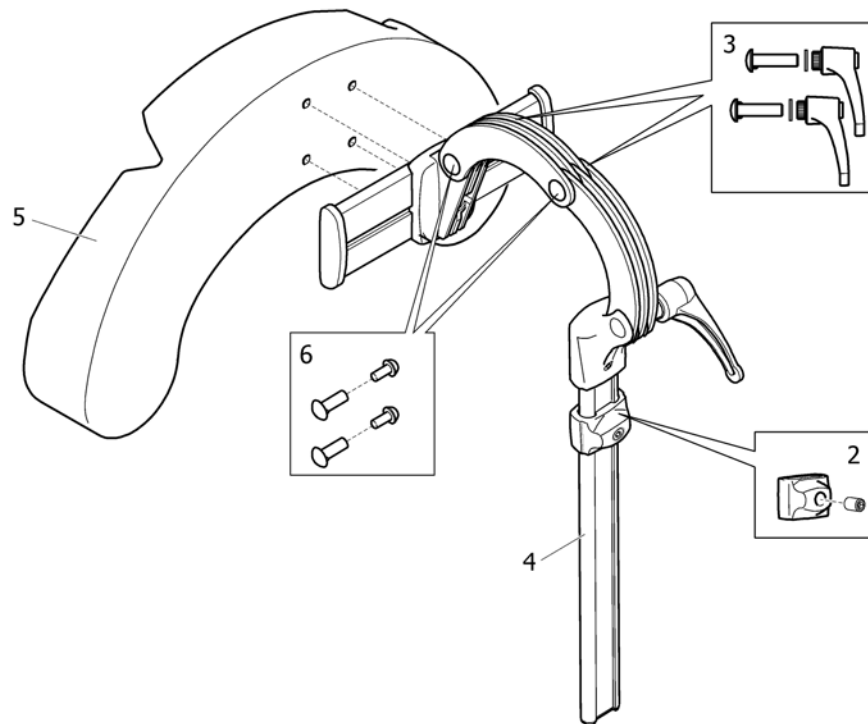


SP150848

Pos.	Part number	Description	Valid from → until	Qty
1	1508848	NECKREST, CPL		1
2	1518517	Cover neckrest TR34		1
3	1448661	stop neck and headrest		1
4	1445693	HANDLES, CLINIC KIT NECK- AND HEADREST		1
5	SP1572769	FASTENERS KIT, HEAD- & NECKREST		1

Cheek support

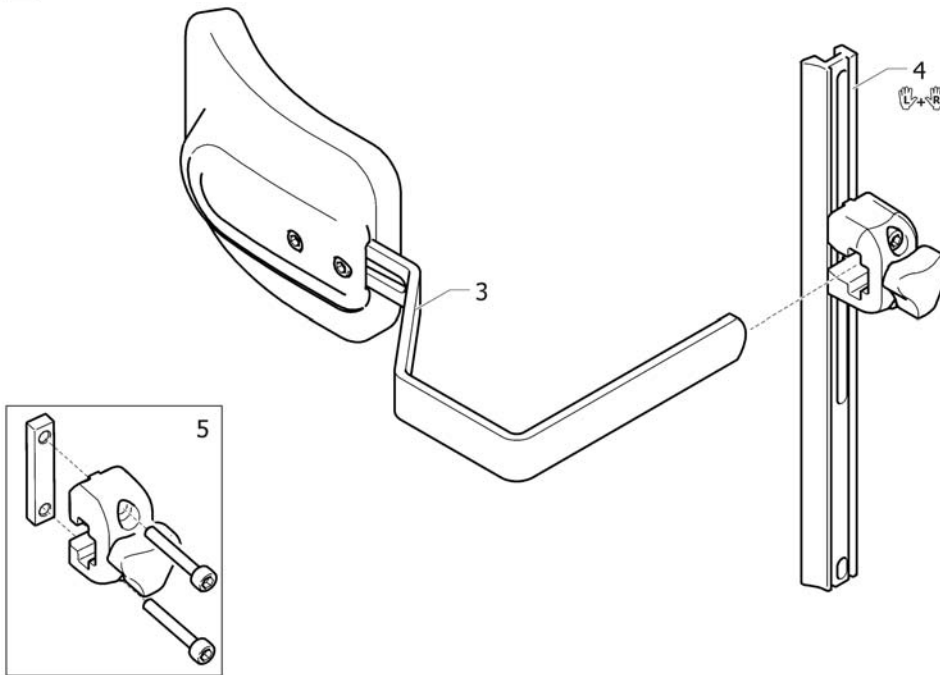
1



SP11446560

Pos.	Part number	Description	Valid from → until	Qty
1	1446560	KÄK/HUVUDSTÖD KPL TR26 # SIDOJUSTERBART		1
2	1448661	MINNE NACK/HUVUDSTÖD KPL MED SKRUV		1
3	1445693	HANDTAG, CLINIC KIT NACK- O. HUVUDSTÖD SP		1
4	1485538	KIT HUVUDSTÖDSFÄSTE		1
5	1444304	DYNA KÄKSTÖD KPL. TR26		1
6	SP1572769	NECKREST FASTENERS, KIT		1

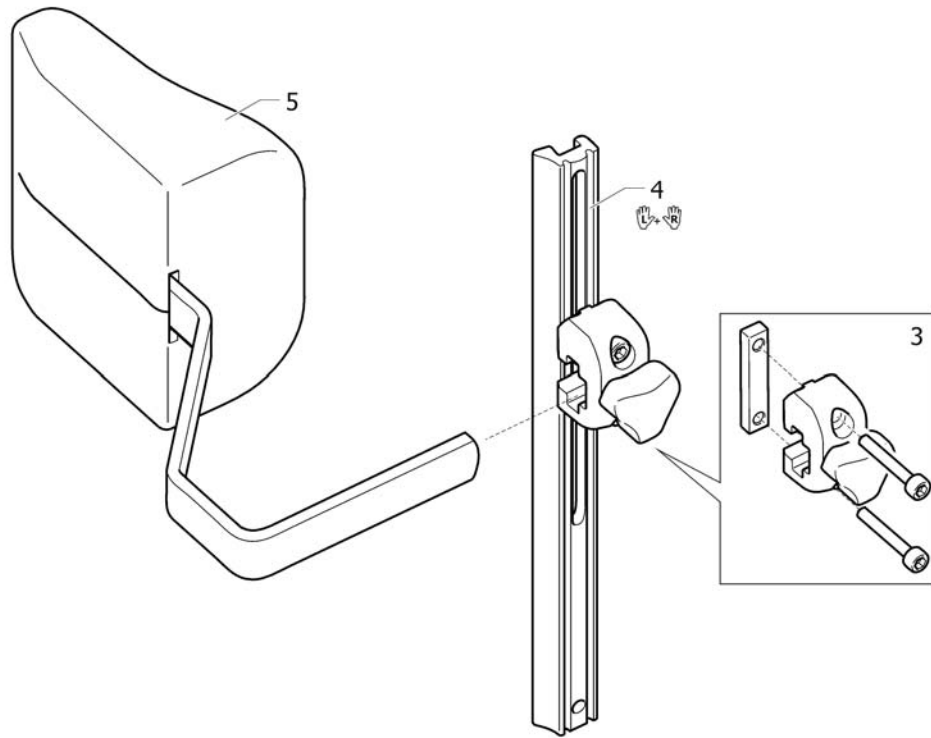
Trunk support, Laguna 2



SPS1552651

Pos.	Part number	Description	Valid from → until	Qty
1	1552651	BÄLSTÖD, VÄ, KPL LAGUNA		1
2	1552652	BÄLSTÖD, HÖ, KPL LAGUNA		1
3	1552698	BÄLSTÖD KPL. 13		1
4	1518526	BÄLSTÖDSFÄSTE, PAR LAGUNA 2, CL		1
5	1543574	BÄLSTÖDSFÄSTE, KPL, SP		1

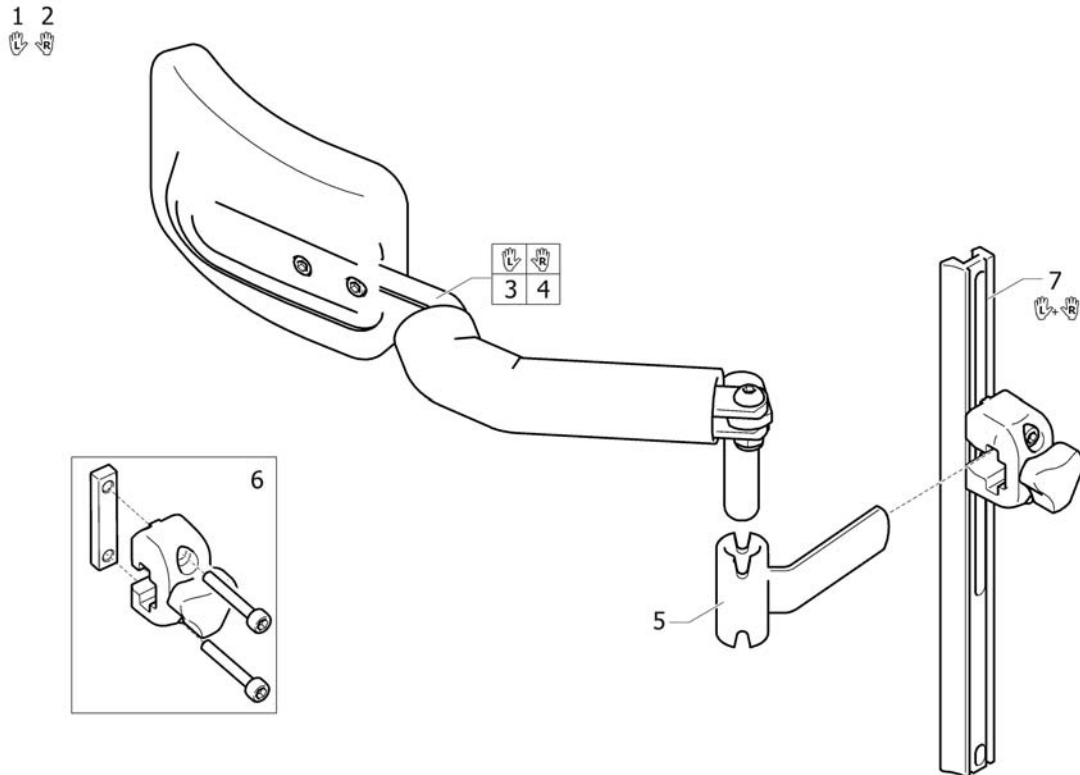
Trunk support, Laguna2 (->2012.04)



SP1518520

Pos.	Part number	Description	Valid from → until	Qty
1	1518520	TRUNK SUPPORT, LEFT, CPL, LAGUNA 2, CL		1
2	1518519	TRUNK SUPPORT, RIGHT, CPL, LAGUNA 2, CL		1
3	1543574	BÄLSTÖDSFÄSTE, KPL, SP		1
4	1518526	BÄLSTÖDSFÄSTE, PAR LAGUNA 2, CL		1
5	1518527	TRUNKSUPPORT, DARTEX BLACK		1

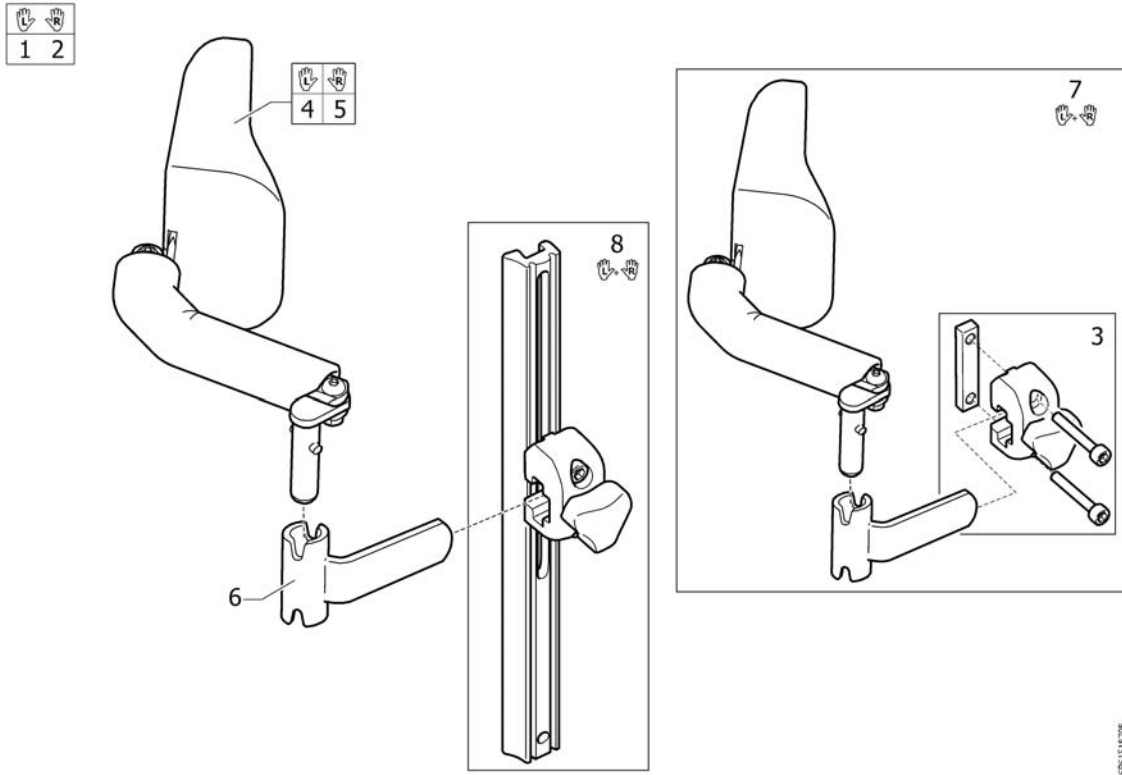
Trunk support, Swingaway, Laguna2



SP1552655

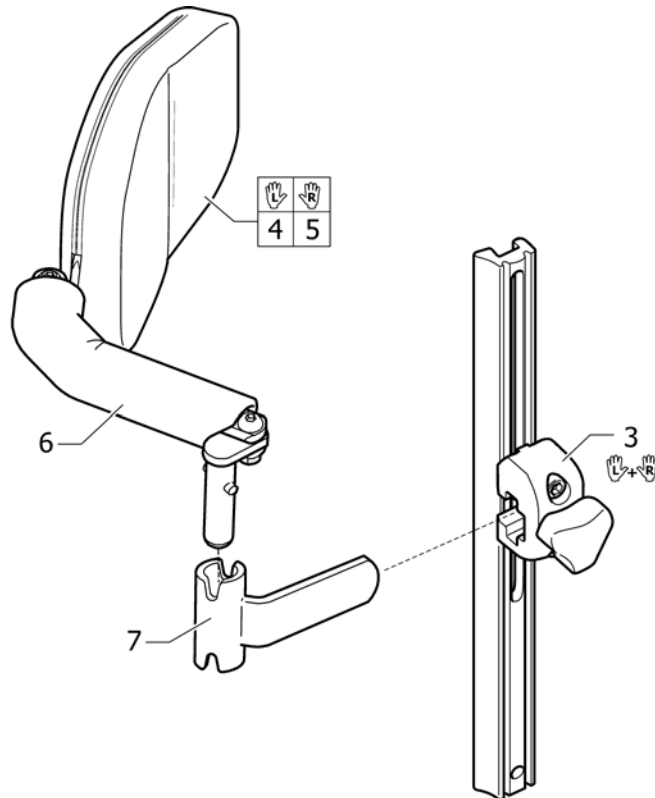
Pos.	Part number	Description	Valid from → until	Qty
1	1552655	TRUNK SUPPORT, LE, SWINGAWAY, LAGUNA2		1
2	1552656	TRUNK SUPPORT, RI, SWINGAWAY, LAGUNA2		1
3	1551853	BÄLSTÖD VÄ. KPL. SWINGAWAY		1
4	1551866	BÄLSTÖD HÖ. KPL. SWINGAWAY		1
5	1524903	HÄLLARE BÄLSTÖD SWING AWAY		1
6	1543574	BÄLSTÖDSFÄSTE, KPL, SP		1
7	1518526	BÄLSTÖDSFÄSTE, PAR LAGUNA 2, CL		1

Trunk support, Swingaway, Laguna2 (->2012.04)



Pos.	Part number	Description	Valid from → until	Qty
1	1518708	TRUNK SUPPORT, LH. CPL, INCL.ATTACHMENT		1
2	1518709	TRUNK SUPPORT, RH. CPL, INCL.ATTACHMENT		1
3	1543574	LOCKING CPL., TRUNKSUPPORT		1
4	1451822	TRUNK SUPPORT, LE, MULTI ADJ. SWINGAWAY		1
5	1451821	TRUNK SUPPORT, RI, MULTI ADJ. SWINGAWAY		1
6	1524903	Retainer, Trunk Support		1
7	1518658	TRUNK SUPPORT PAIR, LAGUNA 2, WITHOUT AL-PR.		1
8	1518526	ATTACHMENT, PAIR, TRUNK SUPPORT		1

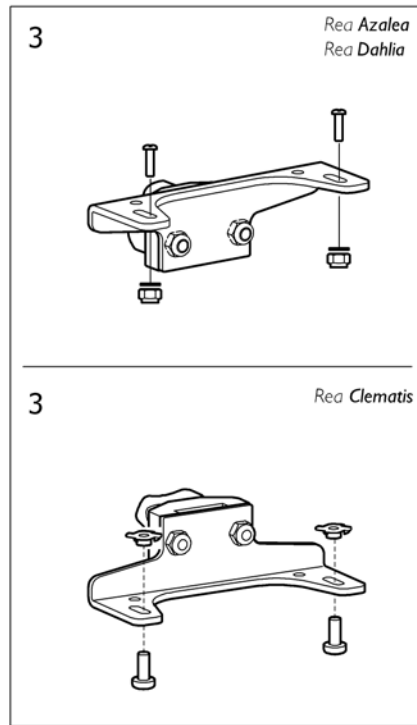
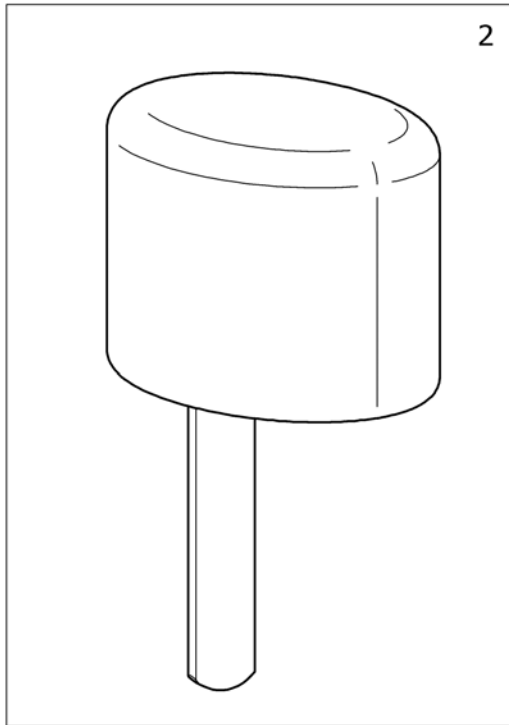
Trunk support, multi adj, Swingaway, Laguna2



Pos.	Part number	Description	Valid from → until	Qty
1	1530500	TRUNKSUPPORT, MULTI ADJ, LEFT, INCL. ATT		1
2	1530482	TRUNKSUPPORT, MULTI ADJ, RIGHT, INCL. ATT		1
3	1518526	ATTACHMENT, PAIR, TRUNK SUPPORT		1
4	1529225	TRUNKSUPPORT, MULTI ADJ. LEFT, CPL		1
5	1529224	TRUNKSUPPORT, MULTI ADJ. RIGHT, CPL		1
6	1437642	Trunk Protection Dartex		1
7	1524903	Retainer, Trunk Support		1

Pommel

1

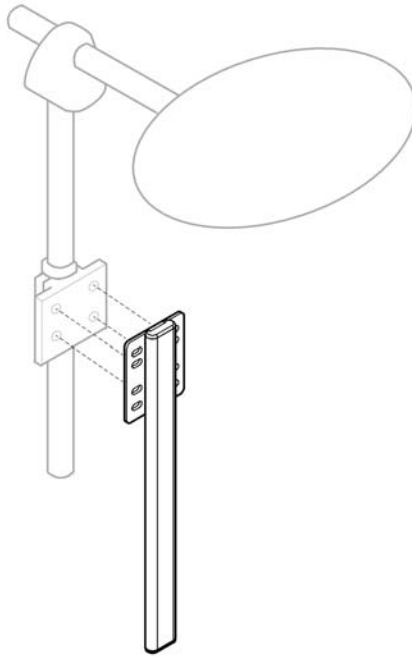


SP144172

Pos.	Part number	Description	Valid from → until	Qty
1	SP1449897	Pommel, Azalea + Clematis		1
2	1444172	POMMEL, DARTEX BLACK		1
3	SP1450464	Holder pommel, Azalea/Clematis		1

Head-/Neckrest pole

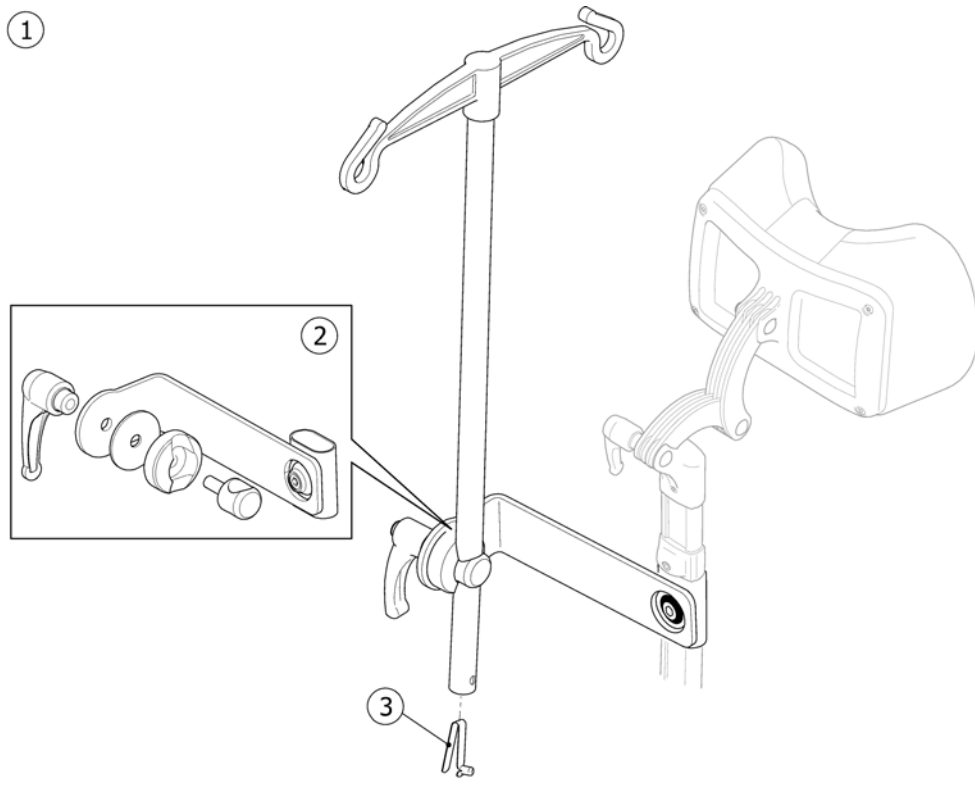
1



SP1581931

Pos.	Part number	Description	Valid from → until	Qty
1	SP1581931	Alternative Headrest mounting bracket		1


Dripstand

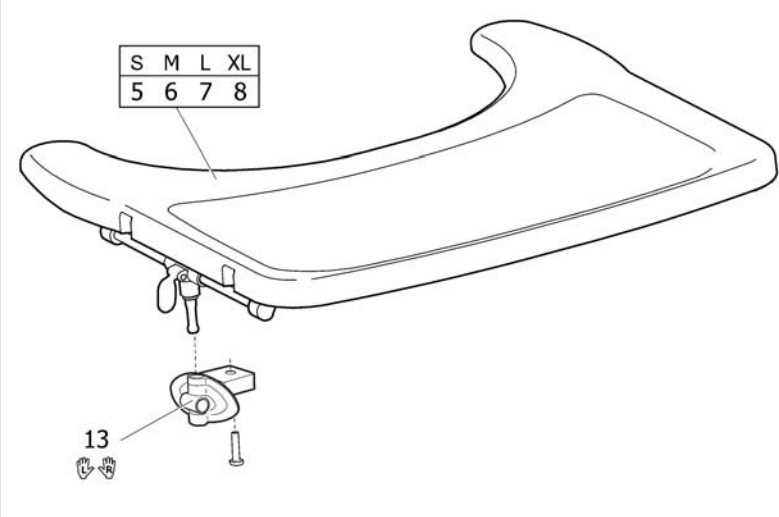


SPS1440897


Pos.	Part number	Description	Valid from → until	Qty
1	1440897	DRIPSTAND + FIXATION		1
2	1518781	ATTACHMENT, DRIP STAND		1
3	1560734	Snap button		1

Table tray

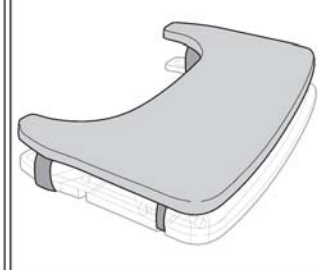
mm	340			390			440			490		
	0	+5	+10	0	+5	+10	0	+5	+10	0	+5	+10
<i>Azalea, Dahlia</i>	1	1	1	2	2	2	3	3	3	4	4	4
	1	1	1	2	2	3	3	3	4	4	4	15
<i>Clematis</i>				2	-	-	3	-	-	4	-	-



14



S	M	L	XL
9	10	11	12

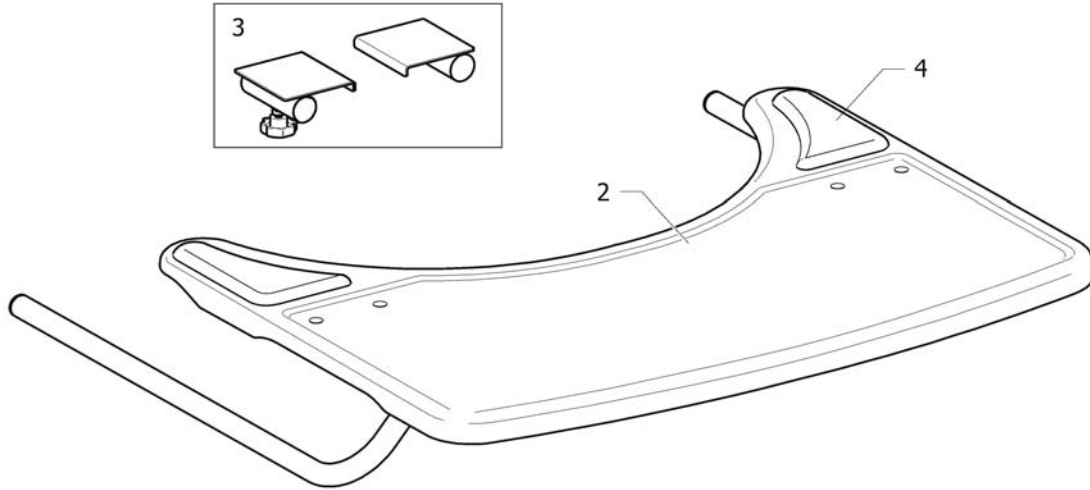


BIC01556

Pos.	Part number	Description	Valid from → until	Qty
1	SP1570747	TABLE TRAY SMALL INCL. MOUNTING KIT		1
2	SP1570748	TABLE TRAY MEDIUM INCL. MOUNTING KIT		1
3	SP1570749	TABLE TRAY LARGE INCL. MOUNTING KIT		1
4	SP1570775	TABLE TRAY X-LARGE INCL. MOUNTING KIT		1
5	SP1567517	TABLE TRAY SMALL		1
6	SP1567518	TABLE TRAY MEDIUM		1
7	SP1567519	TABLE TRAY LARGE		1
8	SP1568862	TABLE TRAY X-LARGE		1
9	SP1570746	TABLE CUSHION, SMALL		1
10	SP1571269	TABLE CUSHION, MEDIUM		1
11	SP1571270	TABLE CUSHION, LARGE		1
12	SP1571271	TABLE CUSHION, X-LARGE		1
13	SP1570745	MOUNTING KIT, TABLE		1
14	SP1572460	LOCKING DEVICE, KIT, TABLE		1
15	-	Table tray, Azalea Max		1

Table tray, Azalea Max

1



SPS1521869

Pos.	Part number	Description	Valid from → until	Qty
1	1528869	Table Tray Cpl, Azalea Max		1
2	1531907	Table Tray, Azalea Max		1
3	1532190	Attachment kit, Table Tray, Azalea Max		1
4	1497825	Elbow Pad, Pair, Table		1



Yes, you can.®



Belgium & Luxemburg:

Invacare nv, Autobaan 22, B-8210 Loppem
Tel: (32) (0)50 83 10 10, Fax: (32) (0)50 83 10 11
belgium@invacare.com / www.invacare.be

Denmark:

Invacare A/S, Sdr. Ringvej 37, DK-2605 Brøndby
Tel: (45) (0)36 90 00 00, Fax: (45) (0)36 90 00 01
denmark@invacare.com / www.invacare.dk

Deutschland:

Invacare Aquatec GmbH, Alemannenstraße 10, D-88316 Isny
Tel: (49) (0)75 62 7 00 0, Fax: (49) (0)75 62 7 00 66
info@invacare-aquatec.com / www.invacare-aquatec.de

European Distributor Organisation:

Invacare, Kleiststraße 49, D-32457 Porta Westfalica
Tel: (49) (0)57 31 754 540, Fax: (49) (0)57 31 754 541
edo@invacare.com / www.invacare.eu.com

España:

Invacare SA, c/Areny s/n, Polígon Industrial de Celrà, E-17460 Celrà (Girona)
Tel: (34) (0)972 49 32 00, Fax: (34) (0)972 49 32 20
contactsp@invacare.com / www.invacare.es

France:

Invacare Poirier SAS, Route de St Roch, F-37230 Fondettes
Tel: (33) (0)2 47 62 64 66, Fax: (33) (0)2 47 42 12 24
contactfr@invacare.com / www.invacare.fr

Ireland:

Invacare Ireland Ltd, Unit 5 Seatown Business Campus, Seatown Road, Swords, County Dublin - Ireland
Tel: (353) 1 810 7084, Fax: (353) 1 810 7085
ireland@invacare.com / www.invacare.ie

Italia:

Invacare Mecc San s.r.l., Via dei Pini 62, I-36016 Thiene (VI)
Tel: (39) 0445 38 00 59, Fax: (39) 0445 38 00 34
italia@invacare.com / www.invacare.it

Nederland:

Invacare BV, Celsiusstraat 46, NL-6716 BZ Ede
Tel: (31) (0)318 695 757, Fax: (31) (0)318 695 758
nederland@invacare.com, csede@invacare.com / www.invacare.nl

Norge:

Invacare AS, Grensesvingen 9, Postboks 6230, Etterstad, N-0603 Oslo
Tel: (47) (0)22 57 95 00, Fax: (47) (0)22 57 95 01
norway@invacare.com, island@invacare.com / www.invacare.no

Österreich:

Invacare Austria GmbH, Herzog Odilostrasse 101, A-5310 Mondsee
Tel: (43) 6232 5535 0, Fax: (43) 6232 5535 4
info-austria@invacare.com / www.invacare.at

Portugal:

Invacare Lda, Rua Estrada Velha, 949, P-4465-784 Leça do Balio
Tel: (351) (0)225 1059 46/47, Fax: (351) (0)225 1057 39
portugal@invacare.com / www.invacare.pt

Sverige & Suomi:

Invacare AB, Fagerstagatan 9, S-163 91 Spånga
Tel: (46) (0)8 761 70 90, Fax: (46) (0)8 761 81 08
sweden@invacare.com, finland@invacare.com / www.invacare.se

Switzerland:

Invacare AG, Benkenstrasse 260, CH-4108 Witterswil
Tel: (41) (0)61 487 70 80, Fax: (41) (0)61 487 70 81
switzerland@invacare.com / www.invacare.ch

United Kingdom:

Invacare Limited, Pencoed Technology Park, Pencoed, Bridgend CF35 5AQ
Switchboard Tel: (44) (0)1656 776200, Fax: (44) (0)1656 776201
Customer services Tel: (44) (0)1656 776222, Fax: (44) (0)1656 776220
uk@invacare.com / www.invacare.co.uk